

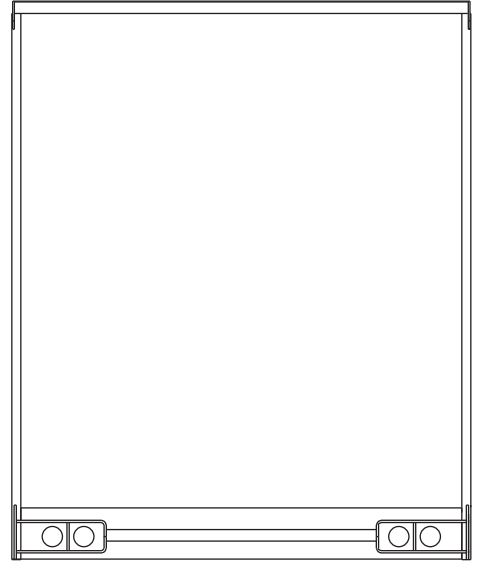
SECTION 4 REAR FRAME AND BUMPER PARTS

For ALL Rear Frame components, please call with the VIN (Serial Number) of trailer or container for correct parts identification.

Please have the following information ready when you call:

- **Last eight letters/numbers for trailers**
- **Last nine to ten letters/numbers for containers**

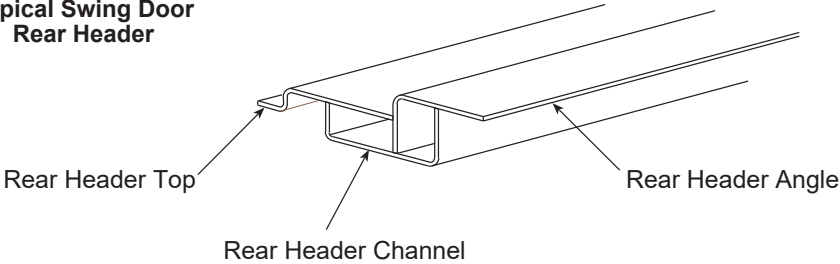
For Drop Bumpers, Front and Rear Bolsters, etc. on the Container Chassis, have the last eight letters/numbers ready when you call.



| | |
|-------------------------------------|-----|
| Rear Headers | 4-1 |
| Stoughton..... | 4-1 |
| Rear Header Parts..... | 4-1 |
| Stoughton..... | 4-1 |
| Rear Thresholds and Rear Sills..... | 4-2 |
| Stoughton..... | 4-2 |
| Rear Sill Parts..... | 4-2 |
| Stoughton..... | 4-2 |
| Rear Corner Posts..... | 4-3 |
| Stoughton..... | 4-3 |
| Rear Post Attaching Angles..... | 4-3 |
| Stoughton..... | 4-3 |
| Threshold Plates..... | 4-3 |
| Stoughton..... | 4-3 |
| Rear Bumper Parts..... | 4-4 |
| Stoughton..... | 4-4 |
| Rear Corner Post Assemblies | 4-5 |
| Stoughton..... | 4-5 |
| Drop Bumper Assemblies | 4-5 |
| Stoughton..... | 4-5 |
| Rear - Miscellaneous..... | 4-6 |
| Stoughton..... | 4-6 |
| Great Dane | 4-6 |

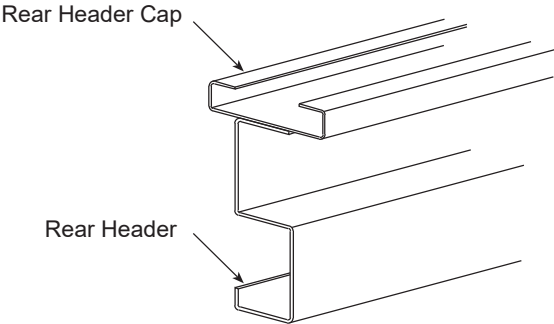
For Top Keepers see Section 5

Typical Swing Door
Rear Header

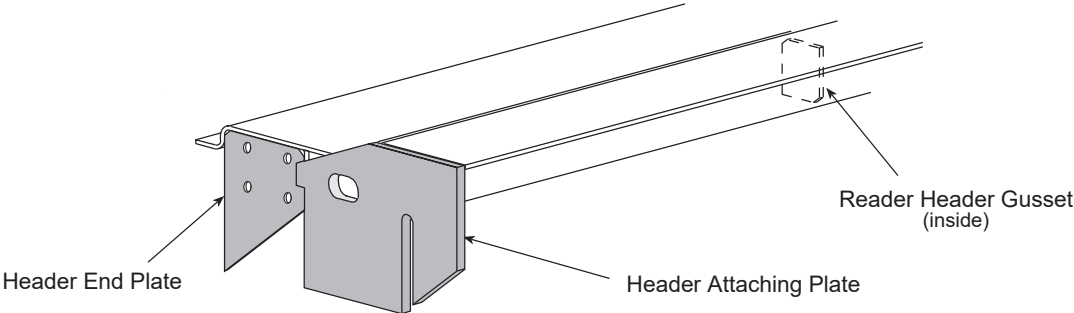


For Containers see Section 15

Typical Roll-Up Door
Rear Header



REAR HEADER PARTS Stoughton

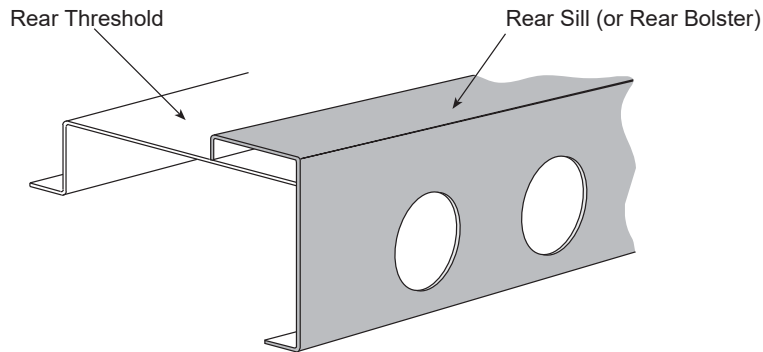


Note: Illustrations provided for reference only. Call with trailer VIN (Serial Number) for correct application.

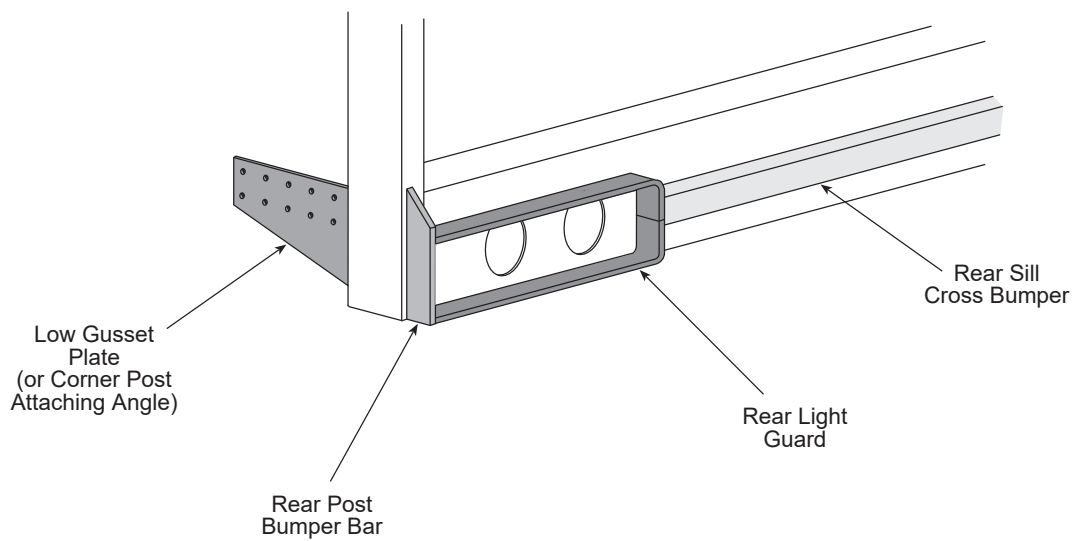
REAR THRESHOLDS AND REAR SILLS

For Bottom Keepers see Section 5

Stoughton

**REAR SILL PARTS**

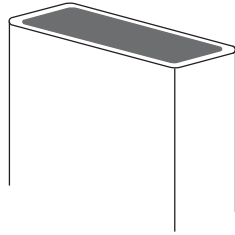
Stoughton



For Hinge Butts see Section 5

REAR CORNER POSTS

Stoughton



REAR TUBE POST

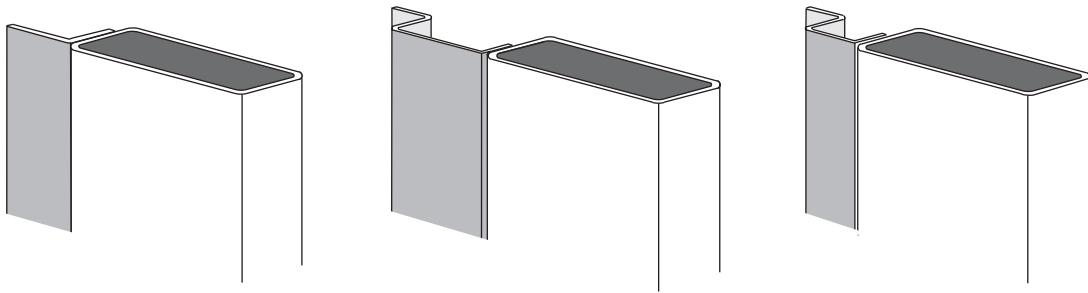
| Stoughton Number | Width | Material |
|------------------|----------|-----------------|
| 00 10204 121 25 | 121 1/4" | Steel – 2" x 4" |
| 00 10204 140 00 | 140" | Steel – 2" x 4" |

Some pre-fabricated sub-assemblies available. Call with VIN (Serial Number) for correct application.

Call with VIN (Serial Number) for correct application

REAR POST ATTACHING ANGLES

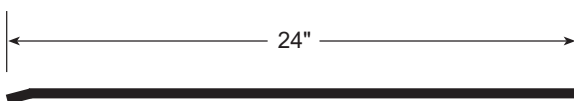
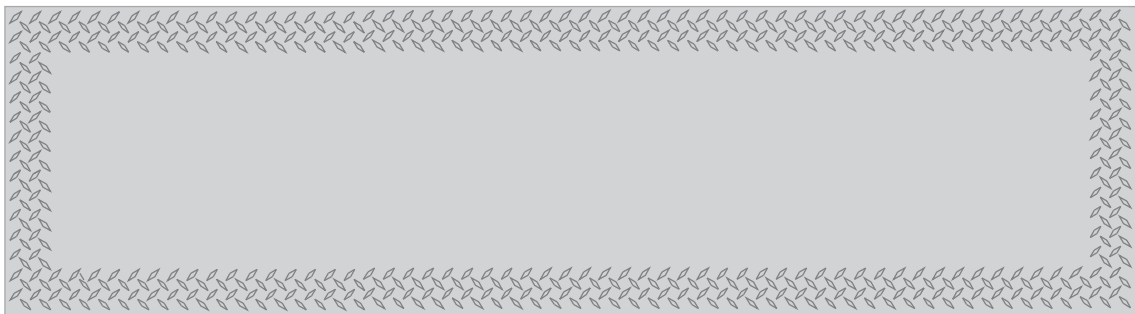
Stoughton



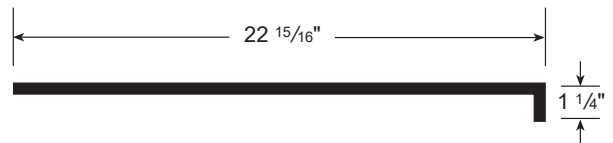
Call with VIN (Serial Number) for correct application

THRESHOLD PLATES

Stoughton



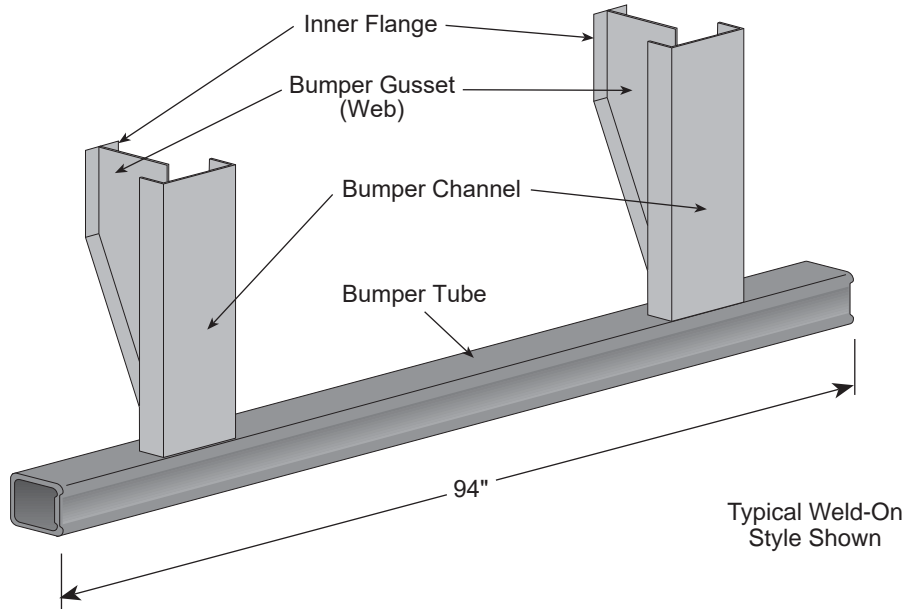
| Stoughton Number | Length | Material |
|------------------|--------|-------------------|
| 01 07129 024 00 | 96" | Steel Tread Plate |



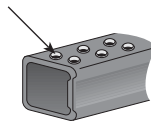
| Stoughton Number | Length | Material |
|------------------|--------|-------------------|
| 01 15784 000 00 | 96" | Steel Tread Plate |

REAR BUMPER PARTS

Stoughton



Antiskid Holes



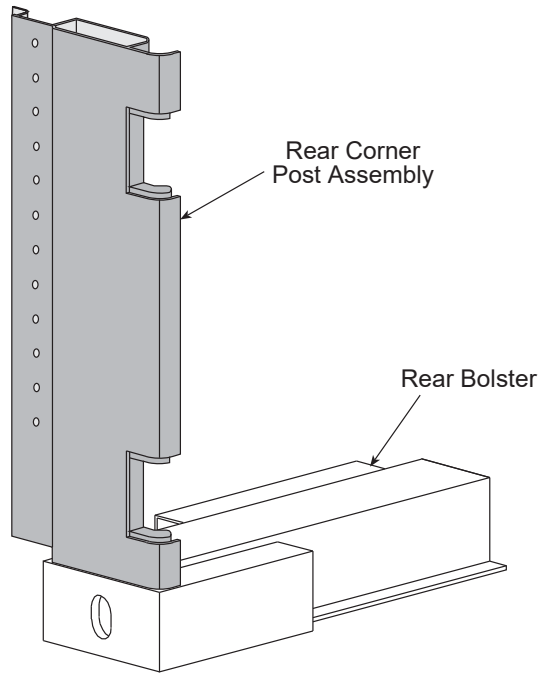
BUMPER TUBE

| Stoughton Number | Width | Remarks |
|------------------|---------|-------------------|
| 04 18583 001 00 | 4" x 4" | w/ Antiskid Holes |

Call with VIN (Serial Number) for correct application

REAR CORNER POST ASSEMBLIES

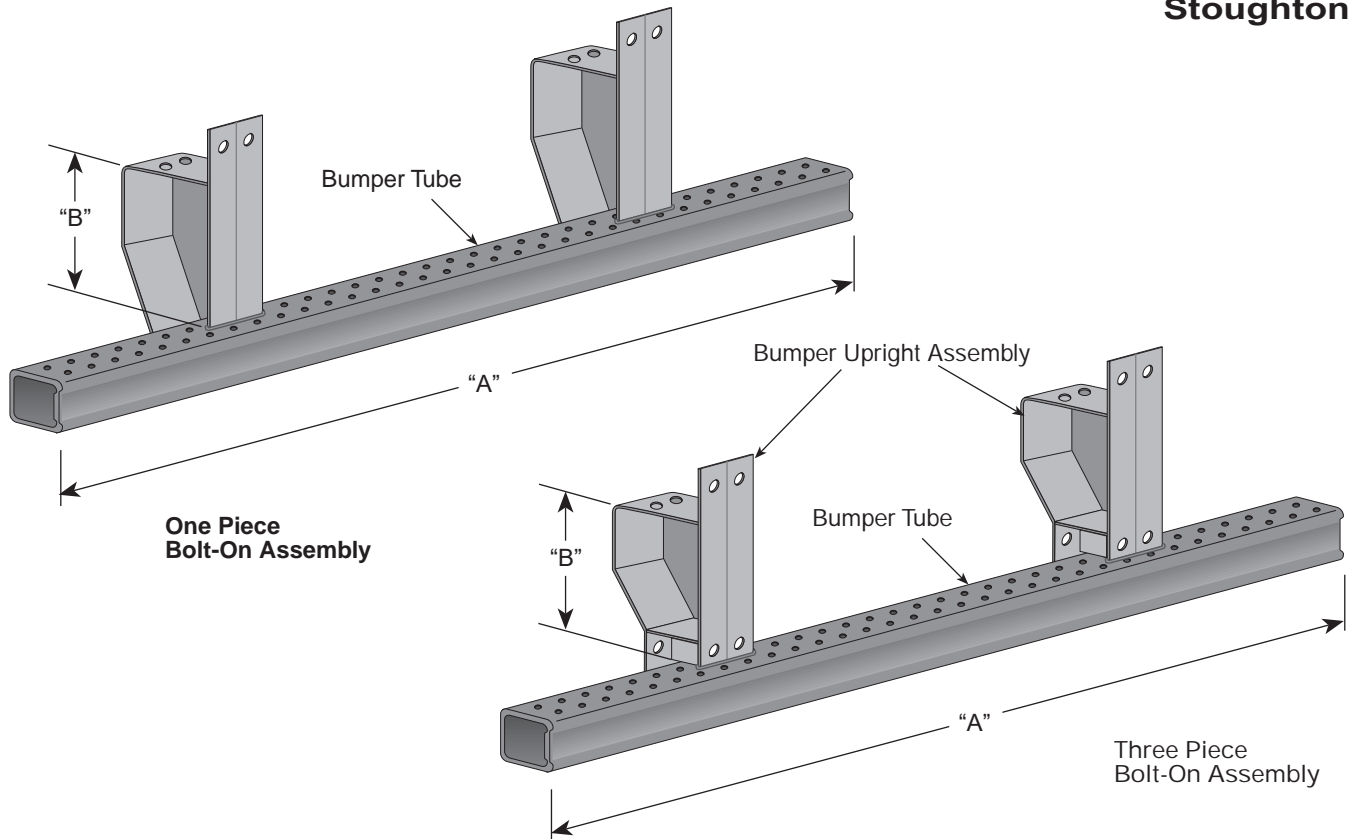
Stoughton



Container style shown for illustration purposes only

DROP BUMPER ASSEMBLIES

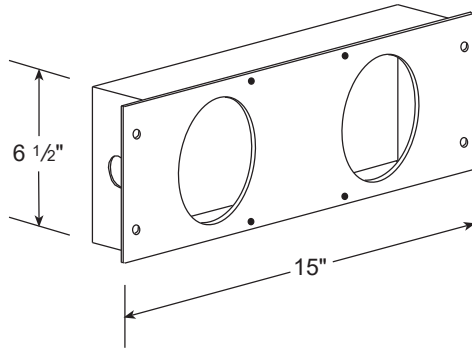
Stoughton



Most common styles shown for reference only

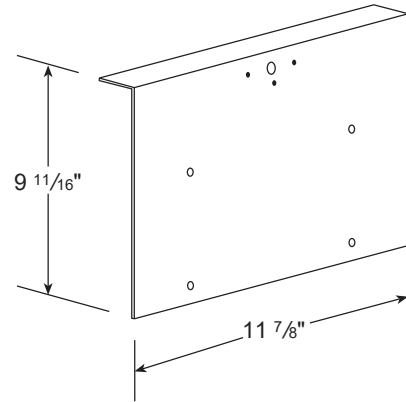
REAR - MISCELLANEOUS

Stoughton



REAR LIGHT BOX ASSEMBLY

| Stoughton Number | Remarks |
|------------------|----------|
| 01 10801 000 00 | Box Only |
| 24 05770 000 00 | Assembly |

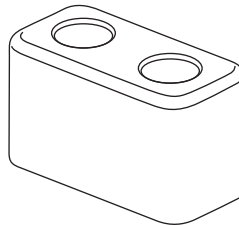


LICENSE MOUNTING BRACKET

| Stoughton Number |
|------------------|
| 01 04023 000 00 |
| 01 14972 000 00 |
| 01 15199 000 00 |

Other choices available. Call with trailer VIN (Serial Number) for correct application.

Great Dane



POLYURETHANE DOCK BUMPER

| Stoughton Number |
|------------------|
| GD#41700304 |