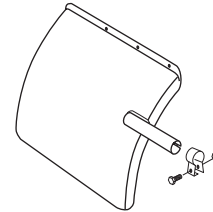
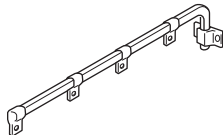
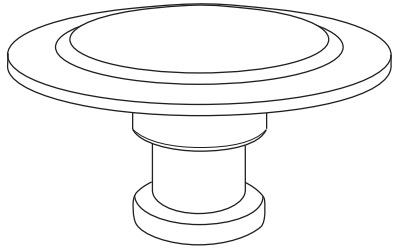


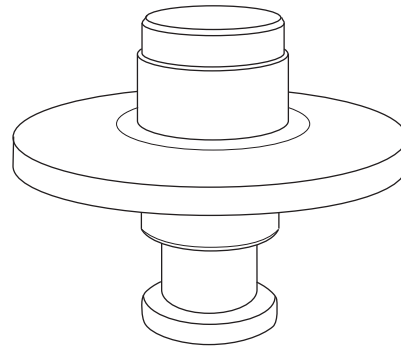
Kingpins.....	14-1
Stoughton.....	14-1
Manifest Boxes.....	14-2
Placards and Decals.....	14-3
Stoughton.....	14-3
Bumpers.....	14-4
Stoughton.....	14-4
Tire Carrier and Hardware.....	14-4
Stoughton.....	14-4
Sealants and Tapes.....	14-5
Mudflaps.....	14-5
Stoughton.....	14-5
Mudflap Brackets.....	14-6
Stoughton.....	14-6
FB-27 Brackets.....	14-7
Stoughton.....	14-7
Quarter Fenders.....	14-8
Stoughton.....	14-8
Other Parts.....	14-9
Stoughton.....	14-9
Fruehauf.....	14-10
Hyundai.....	14-10
Monon.....	14-10
Trailmobile.....	14-11
Shop Supplies.....	14-12





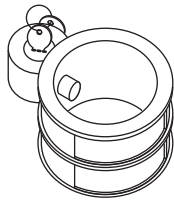
2" SAE KINGPIN – KP-T-809 SERIES

Stoughton Number	Bolster Plate Thickness
HHKP-T-809CF	.25"
HHKP-T-809F	.38"
HHKP-T-809BF	.25"



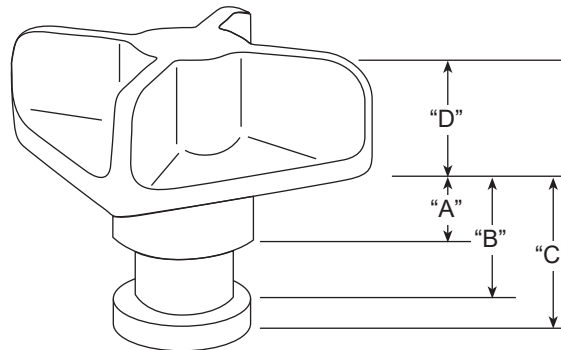
2" KINGPIN

Stoughton Number	Vendor & Vendor No.	Bolster Plate Thickness
HHKP-T-880	Holland KP-T-880	.38"
HHKP-T-880-C	Holland KP-T-880C	.25"



KING PIN LOCK

Stoughton Number
BRKL-3000

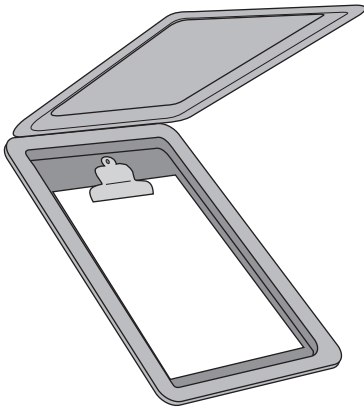


2" KINGPIN – CRUCIFORM SERIES

Stoughton Number	Bolster Plate Thickness	"A"	"B"	"C"	"D"
04 85002 001 00* HHKP-T-5-C	.25"	1.558"	3.012"	3.574"	2.473"

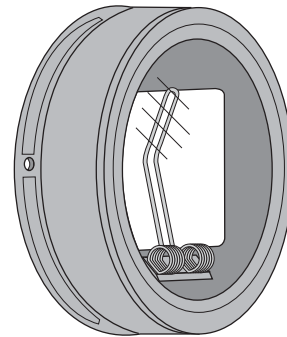
* Refer to HKP-AAR-5-C for specifications

MANIFEST BOXES



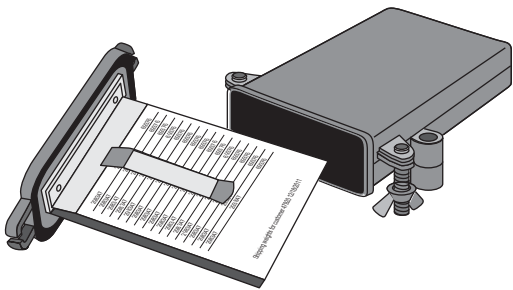
MANIFEST BOX – 8" x 13"

Stoughton Number
04 85084 P10-10



BETTS REGISTRATION HOLDER "PS1"

Stoughton Number	Remarks
04 85294 000 00	Holder & Lens
04 85294 000 01	Lens Only
04 85294 000 02	O-Ring



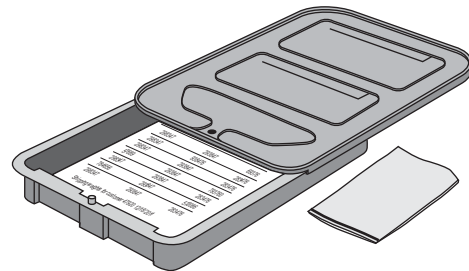
**SECURITY BOX –
DIE CAST ALUMINUM
5.25" X 7" X 2"**

Stoughton Number
JK300



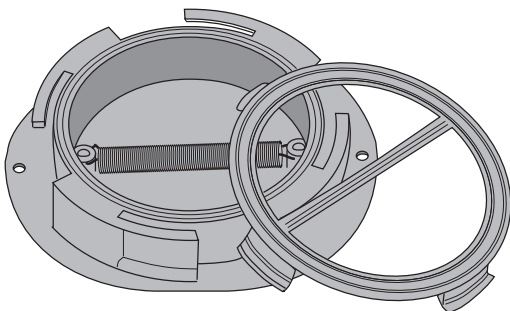
PERMIT HOLDER – ALUMINUM

Vendor & Vendor No.
Grote 43424



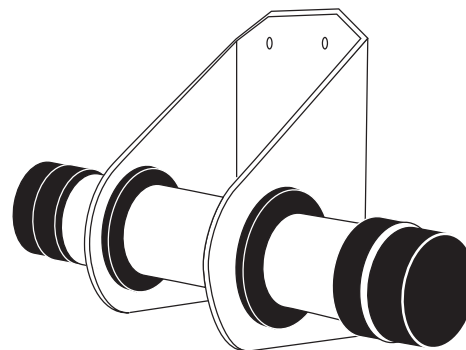
**PLASTIC RECORD BOX
10" X 14"**

Stoughton Number
JK500



DOCUMENT HOLDER

Stoughton Number	Vendor
TL97960	Trucklite



**TUBE TYPE
HOLDER**

Stoughton Number
04 85206 000 CK

**REPLACEMENT
END CAP**

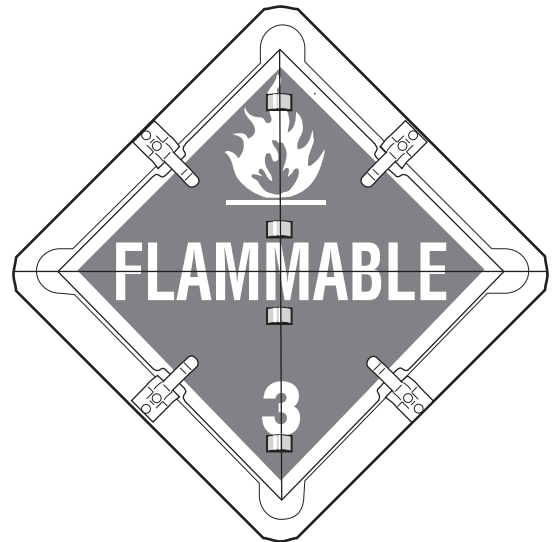
Stoughton Number
04 85206 000 01

PLACARDS AND DECALS Stoughton



SLIDE IN PLACARD – HOLDER ONLY

Stoughton Number	Vendor & Vendor No.
04 85488 000 00	Labelmaster 80SM



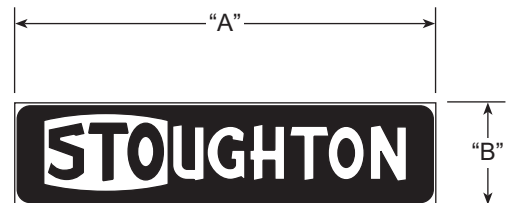
FLIP TYPE PLACARD – SPLIT

Stoughton Number	Vendor & Vendor No.
04 85273 000 02 LB81-CLIP	Labelmaster 81-8FSO Replacement Clips



FLIP TYPE PLACARD

Stoughton Number	Vendor & Vendor No.
04 85273 000 01 LB86-8C	Labelmaster 81-8FO Canadian



DECALS

Stoughton Number	"A"	"B"
04 08726 000 00	11 3/8"	2 3/4"
04 08726 001 00	13 3/8"	3 1/4"

Z-PLATE

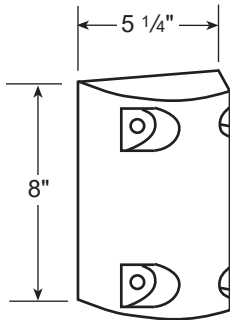
Stoughton Number
04-21202-000-00

Z-DOOR

Stoughton Number
04-22820-000-00

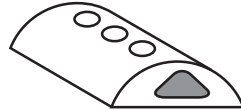
BUMPERS

Stoughton



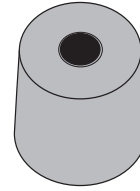
DOCK BUMPER

Stoughton Number	Description
04 85341 000 00	5 1/4" x 3" Hole Center



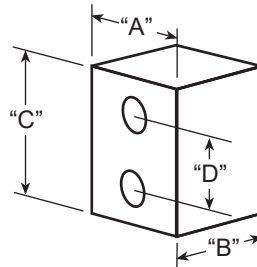
DOCK BUMPER

Stoughton Number	Description
04 14668 000 00	Diamond D2-50



DOOR BUMPER

Stoughton Number
PP-70-1044



Hardware per Bumper:
 (2) Locknuts – 04 95505 000 00
 (2) Bolts – 04 95004 500 00
 (4) Washers – 04 96008 000 00

DOCK BUMPER – OUR FORMER PRODUCTION STANDARD

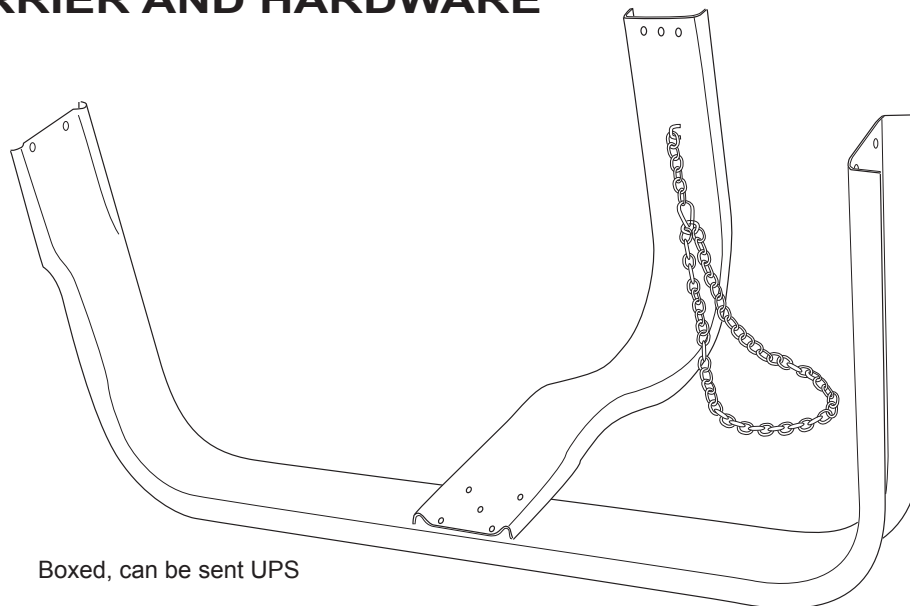
Stoughton Number	"A"	"B"	"C"	"D"	Description
04 85104 000 00	3 1/2"	3 1/4"	6"	3"	Blue Polyurethane
04 85104 000 01	3 1/2"	3"	6"	3"	
04 85104 000 X2		2 1/8"		6 1/2"	
04 85104 000 X4	5 3/4"	4.5"		3 1/2"	
04 85104 PLY 00	3 1/2"	3 1/4"	6"	3"	

DOCK BUMPER – OUR CURRENT PRODUCTION STANDARD

Stoughton Number	"A"	"B"	"C"	"D"	Description
04-86997-000-00	3 1/2"	3 1/4"	6"	3"	Black Polyurethane

TIRE CARRIER AND HARDWARE

Stoughton



Boxed, can be sent UPS

TIRE CARRIER

Stoughton Number
FE981-00159

Pictured

MOUNTING HARDWARE

Stoughton Number
FE981-00055

TIRE CARRIER

Stoughton Number
P09-02

With hardware, boxed
 No picture available



SEALANT

Stoughton Number	Description
MP30-AALUM	Manus-Bond 30A Aluminum
MP30-AWHITE	Manus-Bond 30A White
MP52-AALUM	Manus-Bond 52A Aluminum
MP65-AALUM	Manus-Prene 65A Aluminum
MP65-AWHITE	Manus-Prene 65A White
MP65-BGRAY	Manus-Bond 65B Gray
MP65-CGRAY	Manus-Bond 65C Gray
MP73A-ALUM	Manus-Bond 73A Aluminum
MP73A-BLACK	Manus-Bond 73A Black
MP73A-CLEAR	Manus-Bond 73A Clear
MP73A-WHITE	Manus-Bond 73A White
MP75AM	Roof Adhesive
MP75-AMGRAY	Roof Adhesive
MP75-AMWHITE	Roof Adhesive
MP501-AGRAY	Manus-Bond 501A Aluminum
MP501-AWHITE	Manus-Bond 501A White
04 85208 000 01	Sikaflex 221 White
04 85208 000 02	Sikaflex 221 Grey
UNM 6325	Silaprene 6325 Grey
UNM 6328	Silaprene 6328 Super White

FIELD REPAIR TAPE

Stoughton Number	Description
MP4" AFT	4" x 50' Roof Tape – "Aluma-Foil" Roll
MP4" WTT	4" x 50' Roll Panel Tape – "White-Foil" Roll
MP6" AFT	6" x 50' Roof Tape – "Aluma-Foil" Roll
MP6" WTT	6" x 50' Roll Panel Tape – "White-Foil" Roll

ADHESIVE TAPE

Stoughton Number	Description
04 85011 000 00	Steel/Alum. Tape – 4" Wide x 180' Roll
04 85011 001 XX	Steel/Alum. Tape – 2" Wide x 180' Roll
04 85017 001 XX	Roof Edge Tape – 1/16" x 1" x 100' Roll
MP1858	Manus Grip Tape – 1/8" x 5/8" x 65' Roll

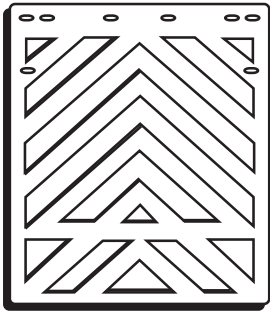
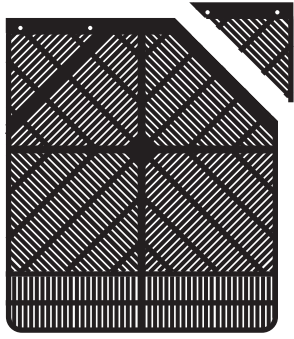
FOAM TAPE

Stoughton Number	Description
04 85016 000 XX	Foam Tape - 1/8" x 3/4" x 100'
04 85299 000 XX	Foam Tape – 3/32" x 1/4" x 150'
04 85299 001 XX	Foam Tape – 3/32" x 1 1/2" x 100'

Note: Sold in pairs.

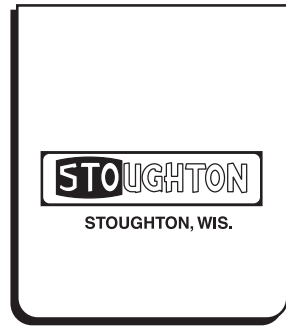
MUDFLAPS

Stoughton



MUDFLAPS – BLACK RUBBER

Stoughton Number	Description
MUDFLAP 24x24	1/4" x 24" x 24"
MUDFLAP 24x30	1/4" x 24" x 30"
MUDFLAP 24x36	1/4" x 24" x 36"



AEROFLAPS

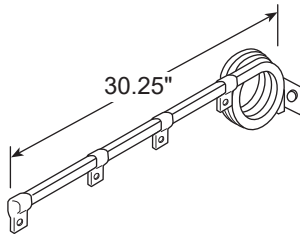
Stoughton Number	Description
FE033-08001 - AEROFLAP	24" x 24"
FE033-08002 - AEROFLAP	24" x 30"
FE033-08004 - AEROFLAP	24" x 36"

MUDFLAPS – RIGID POLYETHYLENE

Stoughton Number	Description
04 86408 001 00	24" x 30" OEM Standard w/ Logo (Black)
FE031 00636	24" x 30" White, Plain, No Logo

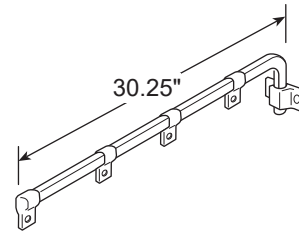
MUDFLAP BRACKETS

Stoughton



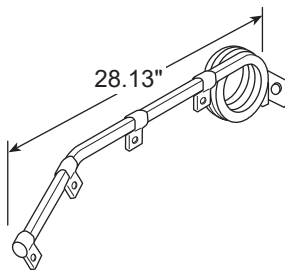
SQUARE TRIPLE COIL BRACKET KIT & ARMS

Stoughton Number	Bar Size	Description
FE031-00123	.63"	Complete Kit



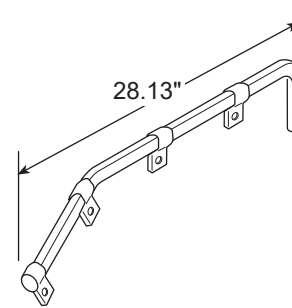
RIGHT ANGLE BRACKET KIT & ARMS

Stoughton Number	Bar Size	Description
FE031-00125	.63"	Complete Kit



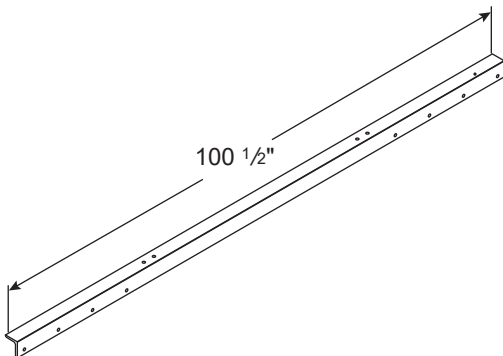
SHORTIE SQUARE TRIPLE COIL BRACKET KIT & ARMS

Stoughton Number	Bar Size	Description
FE031-00133	.63"	Complete Kit
FE031-00104	.75"	Complete Kit



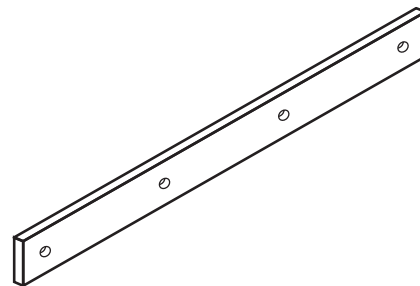
SHORTIE RIGHT ANGLE BRACKET KIT & ARMS

Stoughton Number	Bar Size	Description
FE031-00135	.63"	Complete Kit
FE031-00105	.75"	Complete Kit



**MUDFLAP ANGLE
PRODUCTION STANDARD
"TOP SELLER"**

Stoughton Number
01 14975 000 00

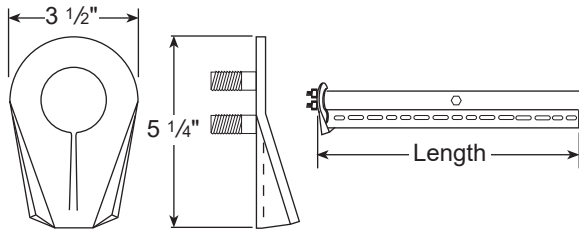


MUDFLAP REINFORCING BAR

Stoughton Number
01 07286 000 00

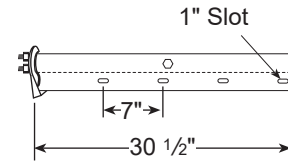
FB-27 BRACKETS

Stoughton



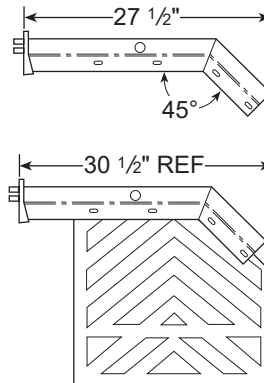
STANDARD FB-27 BRACKETS

Stoughton Number	Length	Description
FE033-00270	28"	Black Primed Steel



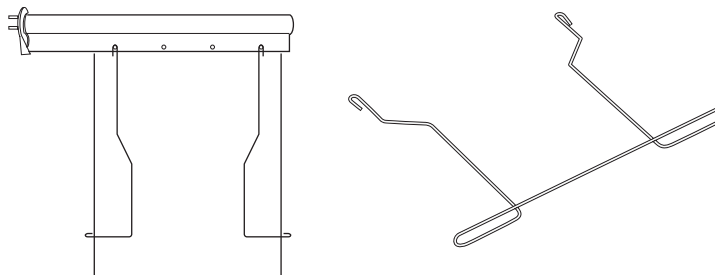
FRAME MOUNT FB-27 BRACKETS

Stoughton Number	Material
FE033-00868	Black Primed Steel
FE033-00870	Polished Stainless Steel



SHORTIE FB-27 BRACKETS

Stoughton Number	Material
FE033-00864	Black Primed Steel
FE033-00865	Polished Stainless Steel

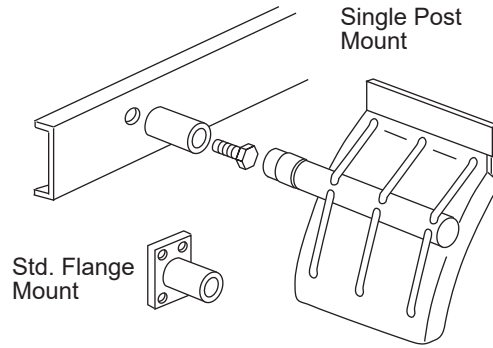


ANTI-SAIL BRACKET

Stoughton Number	Material
FE033-00076	Polished Stainless Steel
FE033-00079	Black Primed Steel

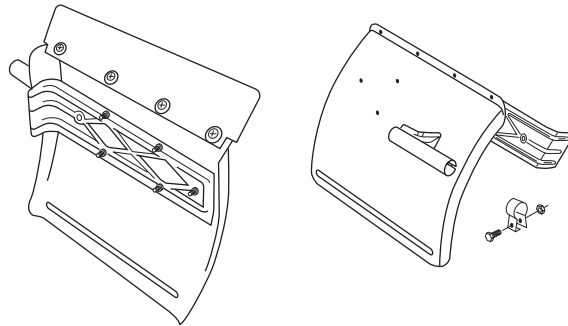
QUARTER FENDERS

Stoughton



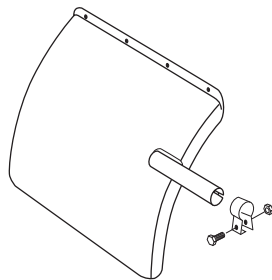
STANDARD FLANGE MOUNT
Stoughton Number
FE031-00234

SINGLE POST MOUNT
Stoughton Number
FE031-00235



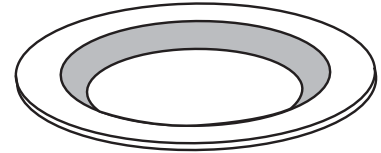
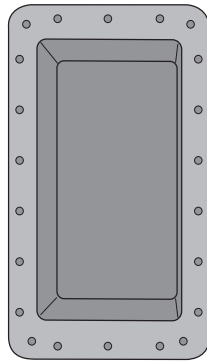
QUARTER FENDER KIT

Stoughton Number	Material
FE031-00400	Black Primed Steel
FE031-00402	Polished Stainless Steel



QUARTER FENDER KIT

Stoughton Number	Material
FE031-00406	Black Plastic

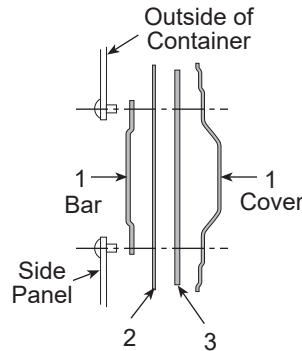


"A" TRACK COVER

Stoughton Number
04 14722 000 00

RECESS PANS

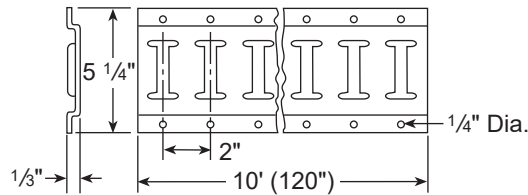
Stoughton Number	Depth	Cutout Size	Overall Size	Material
01 15792 000 00	1 3/16"	13" x 21"	15" x 23"	Aluminum
PP-80-110	2 1/4"	11 3/4" x 17 3/4"	15" x 21"	Plastic
PP-80-115	2 1/4"	9 3/4" x 17 1/2"	13" x 20 1/2"	Plastic JB Hunt Container
P-80-197-8	2 1/4"	11 3/4" x 17 3/4"	15" x 21"	Aluminum
P-80-197-8WHT	2 1/4"	11 3/4" x 17 3/4"	15" x 21"	Aluminum (white)



TIE DOWN BAR ASSEMBLY

Item No.	Stoughton Number	Description
1	04 85625 001 00	Bar Tie Down Assembly
2	04 14457	Gasket w/ Rivet Holes
3	04 14448	Gasket, Ring Style

J.B Hunt Container

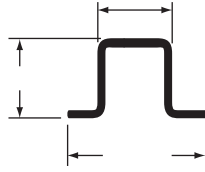


SERIES "A" AND SERIES "E" TRACK

Stoughton Number	Remarks
03 17778 618 00	618" A-Track, Galvanized
04 85327 120 00	120" E-Track, Color/Coating May Vary
04 85327 618 00	618" E-Track, Galvanized

OTHER PARTS

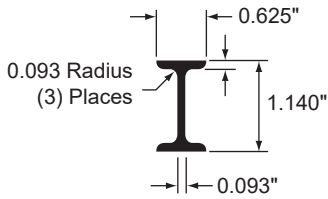
Fruehauf



FLOOR HAT SECT, 47' 1"

Stoughton Number
FRU#STK13961-47

Hyundai



10' FLOOR INSERT, REEFER EXTRUDED

Stoughton Number
HY#1000-9097



30.35" RAIL PROTECTOR, RH

Stoughton Number
HY#2000-8135

121.66" RAIL PROTECTOR, RH

Stoughton Number
HY#2000-8138

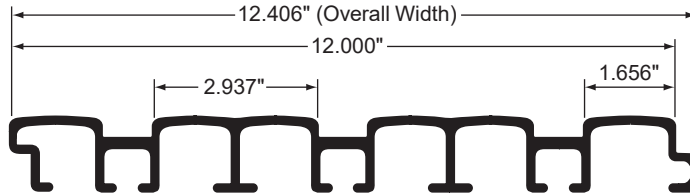
30.35" RAIL PROTECTOR, LH

Stoughton Number
HY#2000-8142

121.66" RAIL PROTECTOR, LH

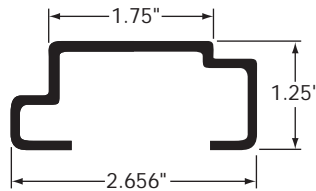
Stoughton Number
HY#2000-8145

Monon



ALUMINUM "S" BOARD

Stoughton Number
MON-AX054320



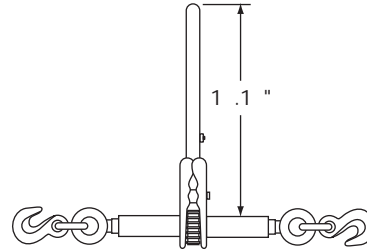
SERVICE TUNNEL

Stoughton Number
MON-AX054340



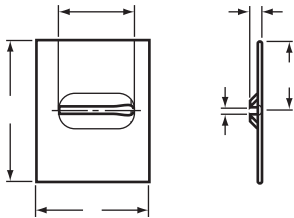
RUBBER BUMPER, 2-HOLE

Stoughton Number
TM11-1-248



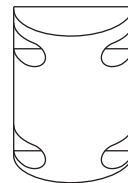
0.38" LOAD BINDER, RATCHET, H/H

Stoughton Number
TM700-1-44



5" x 4" CLIP FOR CROSSMEMBER

Stoughton Number
TM700-1-66



BUMPER, RUBBER, 4-HOLE

Stoughton Number
TM700-99-484

SHOP SUPPLIES



MULE HEAD BRAND

Stoughton Number	Material
MULE BMW-6	Hand Wipes, 10" x 12", 72 per carton
MULE DT-1	Truck and Trailer Wash, Gallon
MULE PP	Plastic Pump for Gallon Hand Cleaners
MULE RHC-G	Original Red Hand Cleaner, Gallon
MULE RHC-QT	Original Red Hand Cleaner, Quart
MULE SA-1	Smokin' Al Aluminum Cleaner, Gallon

CHAMPION CUTTING TOOLS (DRILL BIT SETS)



Stoughton Number	Material
CHTWISTER-XL28	28 Assorted Bit Set
CHXGO-10	#10 Bit 12 Pack
CHXL28-1/2	1/2" 6 Pack
CHXL28-1/4	1/4" 12 Pack
CHXL28-1/8	1/8" 12 Pack
CHXL28-11/64	11/64" 12 Pack
CHXL28-13/64	13/64" 12 Pack
CHXL28-17/64	17/64" 12 Pack
CHXL28-25/64	25/64" 12 Pack
CHXL28-3/16	3/16" 12 Pack
CHXL28-3/8	3/8" 6 Pack
CHXL28-5/16	5/16" 6 Pack
CHXL28-7/32	7/32" 12 Pack
CHXL28-9/32	9/32" 12 Pack

TOUCH-N-SEAL FOAM PRODUCTS



Stoughton Number	Material
FOAM 4004517100	23# Liner Bond
FOAM 4004520200	200 Board Foot Foam Kit
FOAM 4004520600	600 Board Foot Foam Kit
FOAM 4004529930	Conical Nozzle Kit
FOAM 4004529940	Fan Type Nozzle Kit
FOAM 4505100080	Calibration Nozzle Kit

SEYMOUR BRAND PAINT PRODUCTS

20 OZ CANS, 12 CANS PER CASE, UNIT OF MEASURE, 1 CAN = 1 PIECE



Stoughton Number	Material
04 00011 000 00	Low Solid Gloss Black
04 00012 000 00	Low Solid Gray Primer
04 00013 000 00	Low Solid Gloss White
04 00014 000 00	Low Solid Aluminum
04 00015 000 00	High Solid Red
04 00016 000 00	High Solid Red Oxide Primer
04 00017 000 00	Low Solid No Smudge Aluminum
04 00018 000 00	High Solid Light Gray Primer
04 00019 000 00	High Solid Gloss Black
04 00020 000 00	High Solid Gloss White

POWERBRACE

12.2 OZ CANS, 12 CANS PER CASE, UNIT OF MEASURE, 1 CAN = 1 PIECE



Stoughton Number	Material
MR P50365A	Post Weld Zinc Match Spray for Lockrods Corrosion Resistant