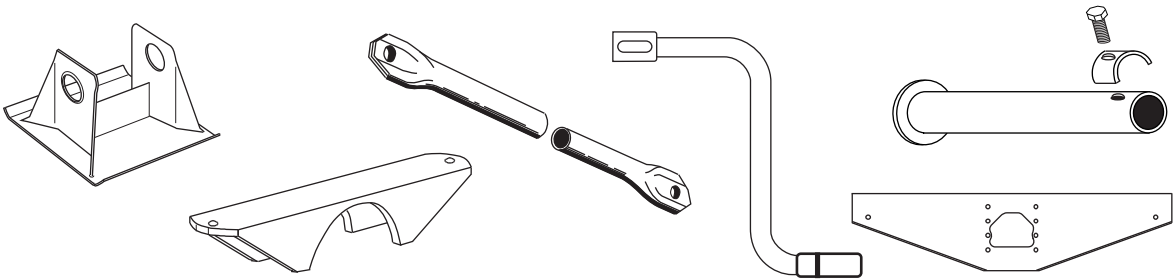


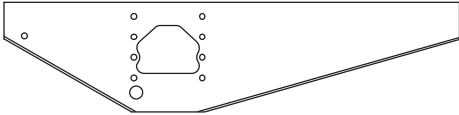
SECTION 7 LANDING GEAR / COMPONENTS



- Landing Gear Parts 7-1
 - Stoughton..... 7-1
 - Fruehauf..... 7-2
 - Hyundai..... 7-2
 - Lufkin 7-2
 - Great Dane 7-2
 - Monon 7-3
 - Pines 7-3
 - Strick 7-4
 - Trailmobile..... 7-5
 - Utility 7-6
- Landing Gear Parts – Sand Shoes..... 7-7
 - Stoughton..... 7-7
- Landing Gear Parts – Axle Parts 7-7
 - Stoughton..... 7-7
- Landing Gear Parts – Miscellaneous..... 7-8
 - Stoughton..... 7-8
- Landing Gear..... 7-9
 - Atlas/Binkley Landing Gear Details..... 7-9
 - Atlas Model 55 Standard..... 7-10
 - Atlas Model 55 Standard Parts List..... 7-11
 - Atlas Model 55 Dimensions and Mounting Distances..... 7-12
 - Atlas Model 55 Ordering Information 7-13
 - Atlas Model 65 Standard..... 7-14
 - Atlas Model 65 Standard Parts List..... 7-15
 - Atlas Model 65 Dimensions and Mounting Distances..... 7-16
 - Atlas Model 65 Ordering Information 7-17
 - Binkley Challenger Model 50,000 7-18
 - Binkley Challenger Model 50,000 Parts List 7-19
 - Binkley Contender Model 51,000..... 7-20
 - Binkley Contender Model 51,000 Parts List..... 7-21
 - Holland Mark V Model – Old Design Before May 1994 7-22
 - Holland Mark V Model Parts List – Old Design Before May 1994 7-23
 - Holland Mark V Model – New Design After May 1994 7-24
 - Holland Mark V Model Parts List – New Design After May 1994 7-24
 - Holland Landing Gear Ordering Information 7-26

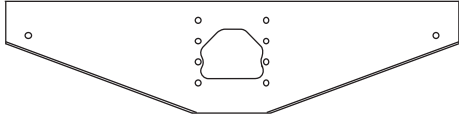
Holland Olympix 135 Model 7-28
Holland Olympix 135 Model Parts List 7-29
Holland Formula 150 Model 7-30
Holland Formula 150 Model Parts List 7-31
Kysor/Westran Model CMS (Square Leg) 7-32
Kysor/Westran Model CMS (Square Leg) Parts List 7-33
Kysor/Westran Model CMR (Round Leg) 7-34
Kysor/Westran Model CMR (Round Leg) Parts List 7-35
Kysor/Westran Model LPS (Square Leg) 7-36
Kysor/Westran Model LPS (Square Leg) Parts List 7-37
Kysor/Westran Model LPR (Round Leg) 7-38
Kysor/Westran Model LPR (Round Leg) Parts List 7-39
Jost International A400 (Outside Mount) / A401 (Inside Mount) Models
7-40
Jost International A400/A401 Model Parts List 7-41
Anti-Nosedive Assembly 7-42
Stoughton 7-42

LANDING GEAR PARTS Stoughton



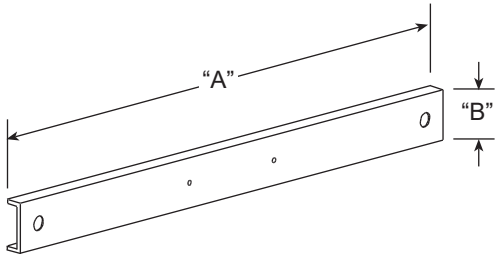
LANDING GEAR MOUNTING BRACKET

Stoughton Number	
Roadside	Curbside
01 04012 100 00	01 04012 200 00



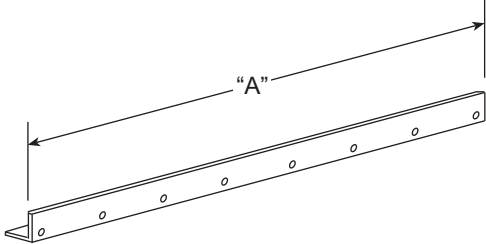
UNIVERSAL LANDING GEAR MOUNTING BRACKET

Stoughton Number	Remarks
01 08875 000 00	Weld-on
01 09945 000 00	Bolt-on



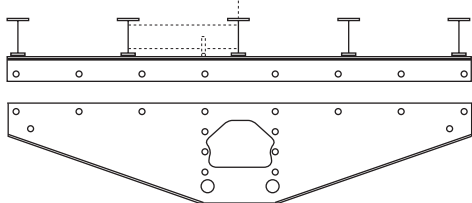
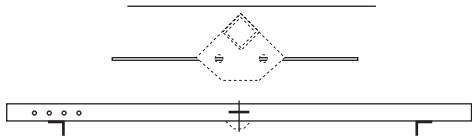
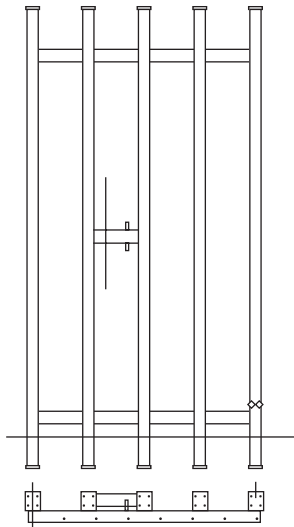
LANDING GEAR CHANNEL

Stoughton Number	"A"	"B"
01 04013 001 00	76"	8"
01 06650 001 00	64"	4"



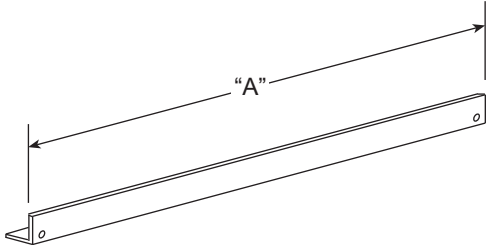
LANDING GEAR MOUNTING ANGLE
(for use with Mounting Bracket
01 09945 000 00)

Stoughton Number	"A"
01 10857 000 00	50"



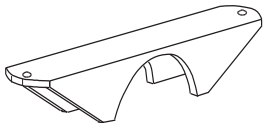
UNIVERSAL LANDING GEAR SUBFRAME ASSEMBLY FOR 102" WIDE, 48' AND 53' STOUGHTON DRY VANS

Stoughton Number	Remarks
15 03353 KIT	Cross Member Assembly Plus RS and CS Landing Gear Wings



LANDING GEAR SIDE BRACKET

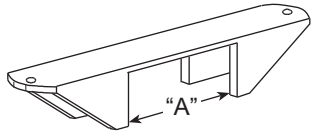
Stoughton Number	"A"	Dimensions
01 09943 001 00	30 3/4"	3/16" x 2" x 2"
01 09943 002 00	31 5/16"	3/16" x 2" x 2"
01 09943 003 00	30 3/8"	3/16" x 2" x 2"
01 09943 004 00	31 1/8"	3/16" x 2" x 2"
01 09943 008 00	28 7/8"	3/16" x 2" x 2"
01 09943 009 00	31 3/8"	3/16" x 2" x 2"



ROUND LEG LANDING GEAR BRACE EAR

Stoughton Number	Leg Type
01 07061 000 00	KW

Will become obsolete as stock is depleted



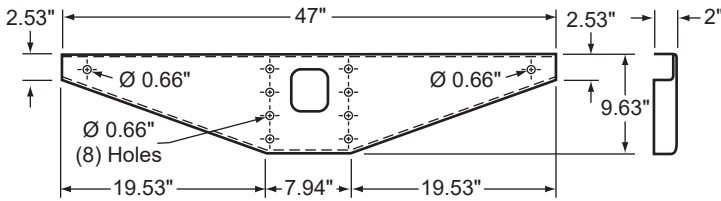
SQUARE LEG LANDING GEAR BRACE EAR

Stoughton Number	Leg Type	"A"
01 08913 000 00*	Binkley	4 1/2"
01 10246 000 00	Holland-Jost	5 3/8"
01 11007 000 00	KW	4 9/16"

*Fits BKL4001-70

LANDING GEAR PARTS

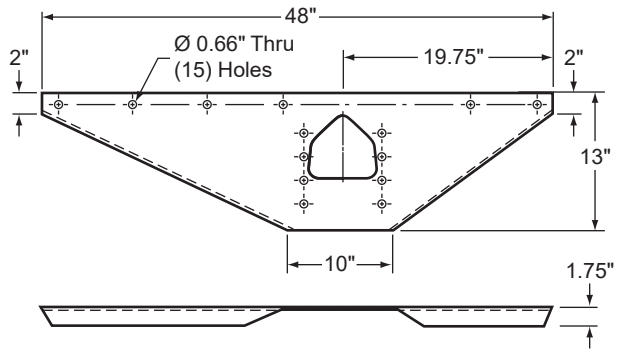
Fruehauf



LANDING GEAR BRACKET

Stoughton Number
FRU#FCF001671001

Great Dane



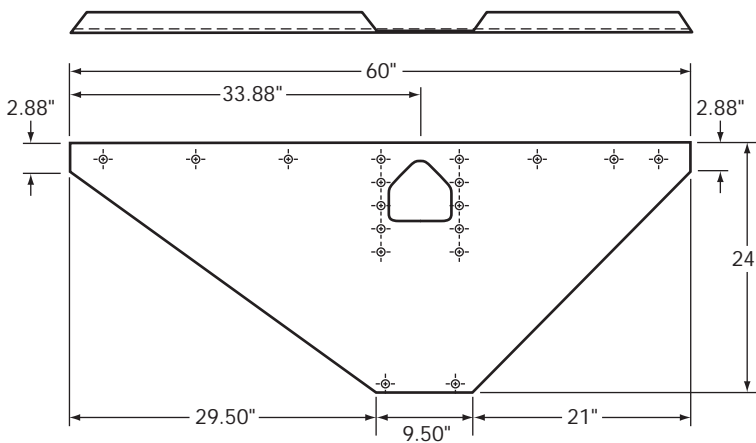
LANDING GEAR MOUNTING BRACKET, RS

Stoughton Number
GD#136-46

LANDING GEAR MOUNTING BRACKET, CS

Stoughton Number
GD#136-47

Hyundai

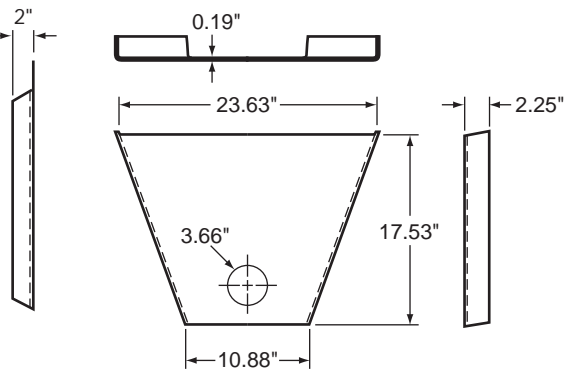


WING BRACKET, RS

Stoughton Number
HY#2000-0492

WING BRACKET, CS

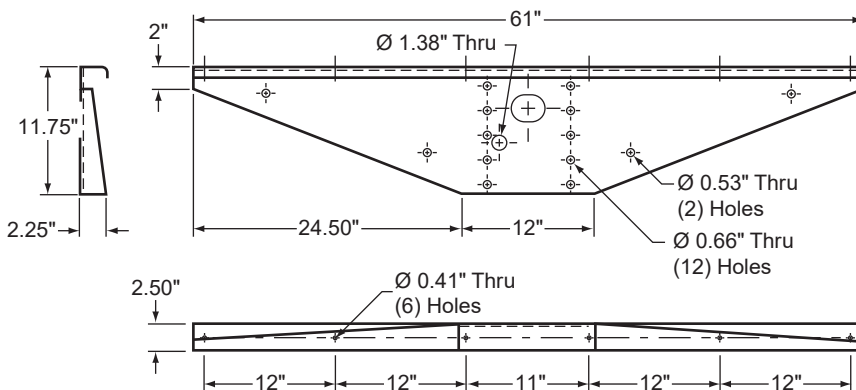
Stoughton Number
HY#2000-2893



WING BRACKET

Stoughton Number
HY#2000-0735

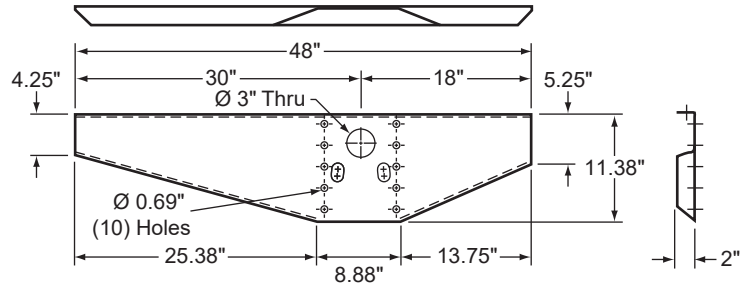
Lufkin



LANDING GEAR MOUNTING BRACKET

Stoughton Number
LUF-B62046

LANDING GEAR PARTS Monon



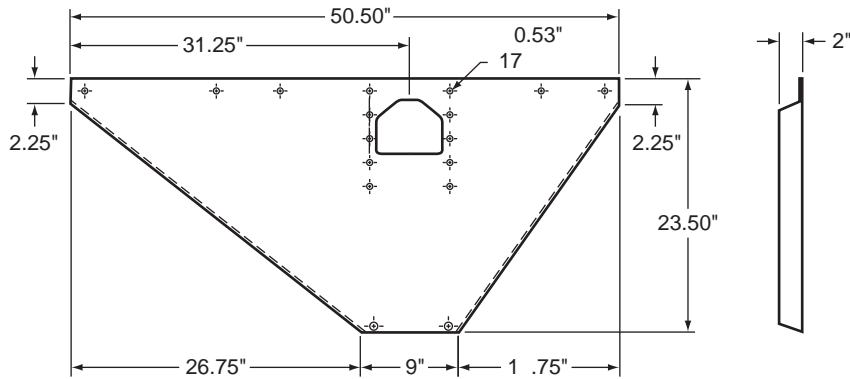
LANDING GEAR WING, ROADSIDE

LANDING GEAR WING, CURBSIDE

Stoughton Number
MON-V09-189A-RS

Stoughton Number
MON-V09-189B-CS

Pines

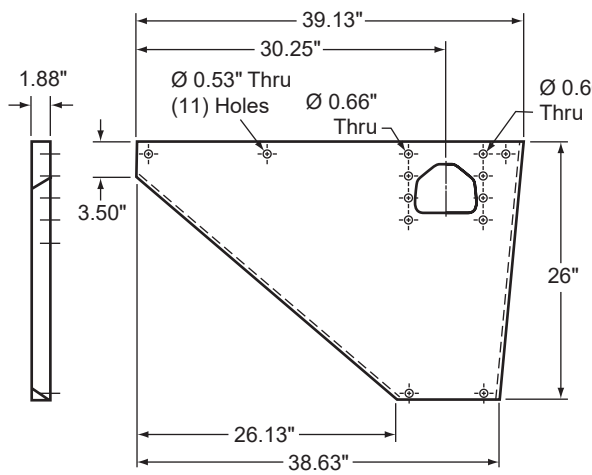


WING BRACKET, RH

WING BRACKET, LH

Stoughton Number
PINE GB4382R

Stoughton Number
PINE GB4382L

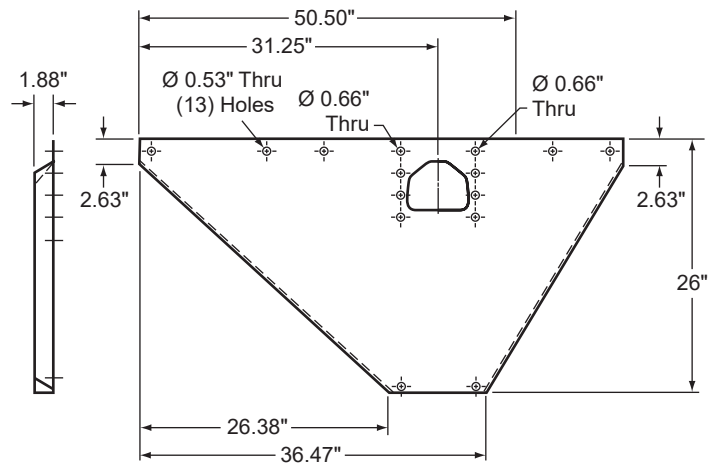


LANDING GEAR MOUNTING BRACKET, RS

LANDING GEAR MOUNTING BRACKET, CS

Stoughton Number
PINE PILGB1314L

Stoughton Number
PINE PILGB1314R



LANDING GEAR MOUNTING BRACKET, RS

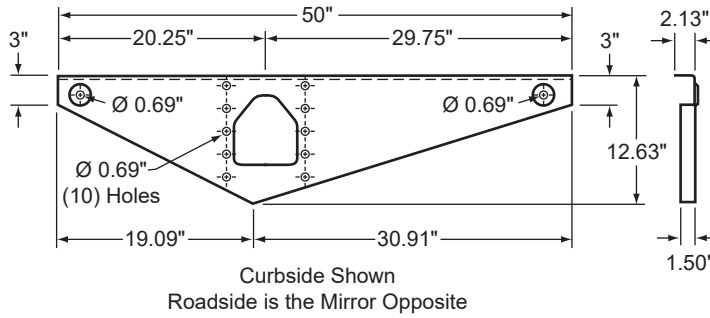
LANDING GEAR MOUNTING BRACKET, CS

Stoughton Number
PINE PILGB1315L

Stoughton Number
PINE PILGB1315R

LANDING GEAR PARTS

Strick

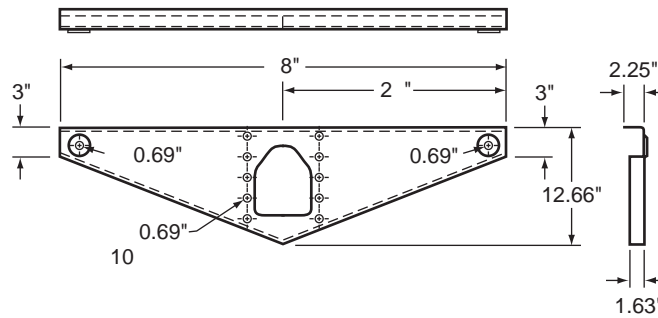


LANDING GEAR BRACKET, RS

Stoughton Number
STR#03690

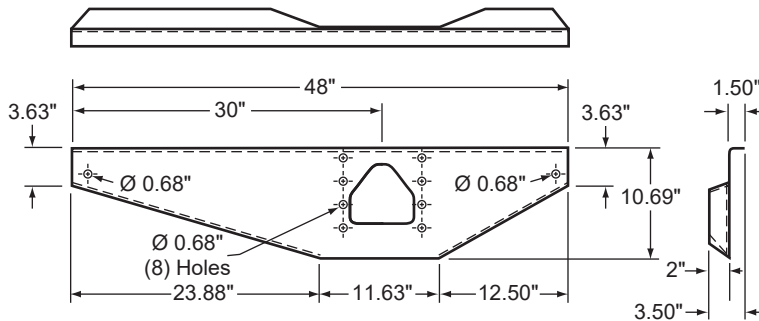
LANDING GEAR BRACKET, CS

Stoughton Number
STR#03691



WING BRACKET

Stoughton Number
STRAA13D05060100

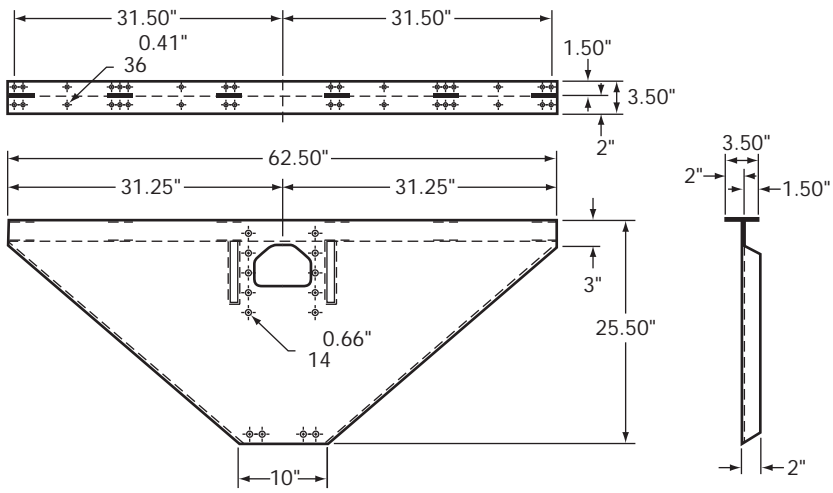


LANDING GEAR BRACKET, RS

Stoughton Number
STRAA14D06060100

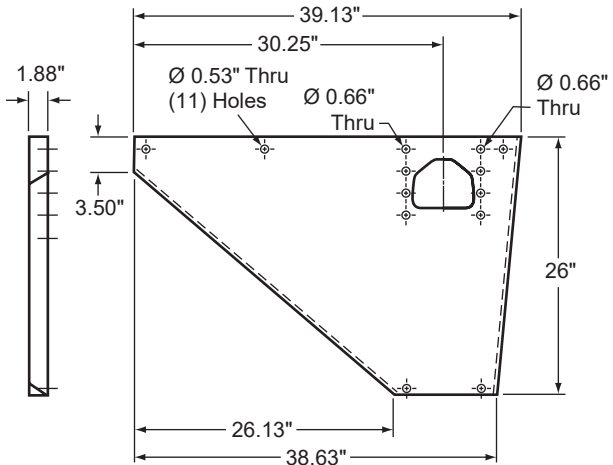
LANDING GEAR BRACKET, CS

Stoughton Number
STRAA14D06070100



WING BRACKET

Stoughton Number
TM4-A1-223

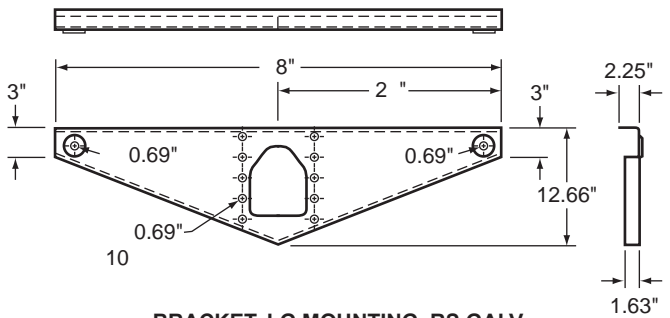


BRACKET, LG MOUNTING, RS

Stoughton Number
TM4-A1-224L

BRACKET, LG MOUNTING, CS

Stoughton Number
TM4-A1-224R

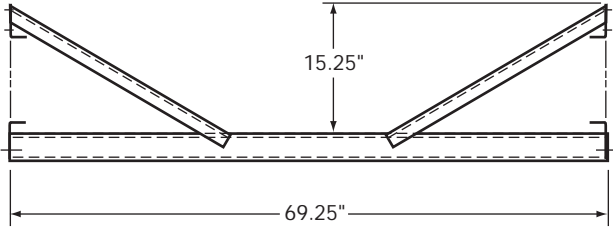


BRACKET, LG MOUNTING, RS, GALV

Stoughton Number
TM4-A1-224L-G

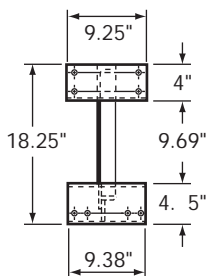
BRACKET, LG MOUNTING, CS, GALV

Stoughton Number
TM4-A1-224R-G



K-BRACE, 69.25" WIDE

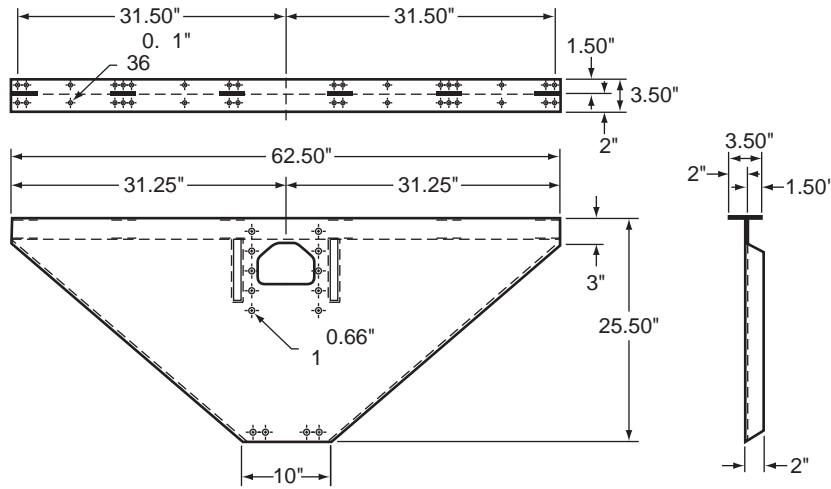
Stoughton Number
TM700-4-503



"Dorsey," "Fruehauf," "Great Dane," "Hyundai," "Kentucky," "Lufkin," "Monon," "Manac," "Pines," "Strick," "Trailmobile," "Utility," "Vanguard Trailer," and "Wabash" are trademarks of their respective owners and are used only to identify corresponding part numbers of Stoughton Part Sales, LLC. Stoughton Part Sales, LLC is not affiliated with the owners of these trademarks.

LANDING GEAR PARTS

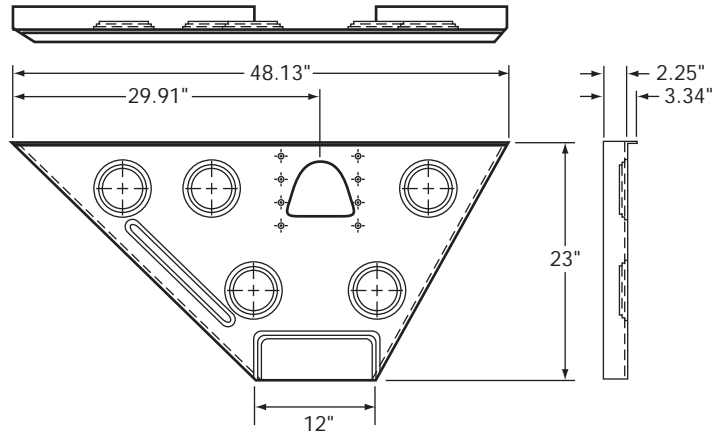
Trailmobile



BRACKET, LG MOUNTING, WING TYPE

Stoughton Number
TM700-4-507

Utility

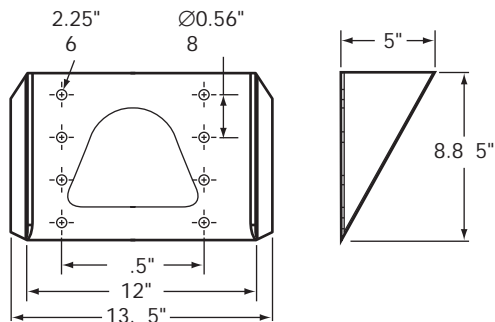


WING BRACKET, RS

Stoughton Number
UT-03-1103-0-077

WING BRACKET, CS

Stoughton Number
UT-03-1103-0-078



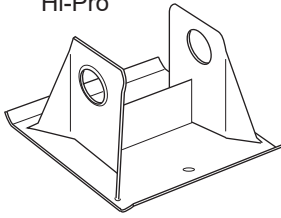
LANDING GEAR MOUNTING BRACKET

Stoughton Number	
Roadside	Curbside
UT-03-1103-0-123	UT-03-1103-0-124

LANDING GEAR PARTS – SAND SHOES

Stoughton

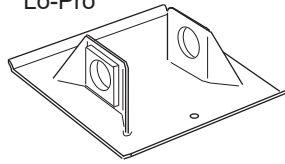
“Hi-Pro”



STANDARD DESIGN

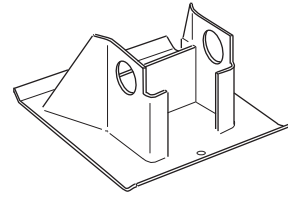
Stoughton Number	Size
FE013-01192	10" x 10"
P05-300	10" x 10"

“Lo-Pro”



LOW MOUNT STYLE

Stoughton Number	Size
FE013-00073	10" x 10"
P05-310	10" x 10"



TILT-BACK STYLE

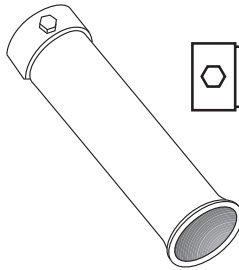
Stoughton Number	Size
FE013-00141	12" x 12"

REMOVABLE CUSHION FOOT KIT

Stoughton Number	Remarks
KW716059	For Sets KWCMS-2-33-317 Only

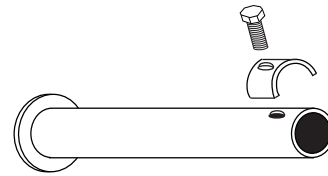
LANDING GEAR PARTS – AXLE PARTS

Stoughton



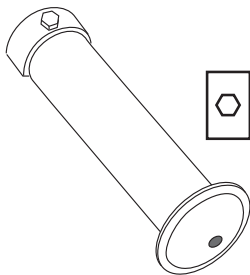
FLARED END AXLE & HARDWARE KITS

Stoughton Number
FE013-00240



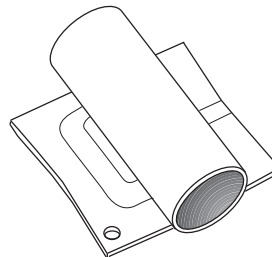
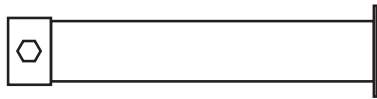
AXLE ASSEMBLY – SAND SHOE

Stoughton Number
P06-410



WELDED CAP AXLE & HARDWARE KITS

Stoughton Number
P06-411



AXLE HOUSING

Stoughton Number
P06-345

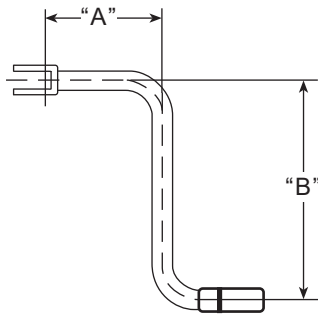


AXLE ASSEMBLY – SAND SHOE

Stoughton Number	Remarks
P06-431	Solid

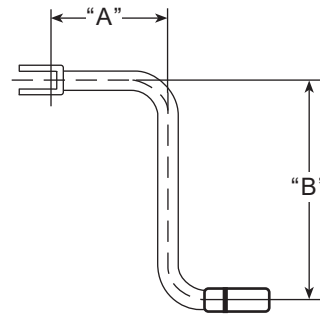
LANDING GEAR PARTS – MISCELLANEOUS

Stoughton



VERTICAL FOLDING CRANKS

Stoughton Number	"A"	"B"	Remarks
FE013-00436	7 1/2"	13 1/2"	
FE013-00437	11 1/2"	13 1/2"	
P03-215V	16 1/4"	13 1/2"	P03-215V
P03-221V	20"	13 1/2"	P03-221V
BKLG2130-07	9 1/8"	14"	Holland Olympic
HHXA-V-90-0	9 1/8"	14"	Holland Mark V



HORIZONTAL FOLDING CRANKS

Stoughton Number	"A"	"B"
FE013-00426	7 1/2"	13 1/2"
FE013-00427	11 1/2"	13 1/2"
P03-215-H	16 1/4"	13 1/2"
P03-221H	20"	13 1/2"

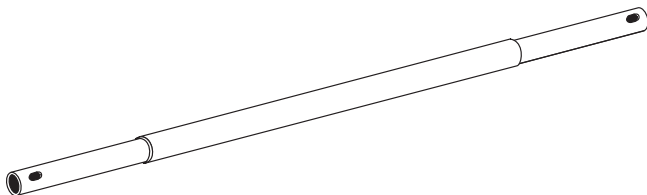
Note: More Crank Handle options are available.
Call with your needs.

"GRAIN HAULER" CRANK

Stoughton Number
04 80291 001 00

"SPEED CRANK"

Stoughton Number
KW112003



ADJUSTABLE CROSS SHAFT

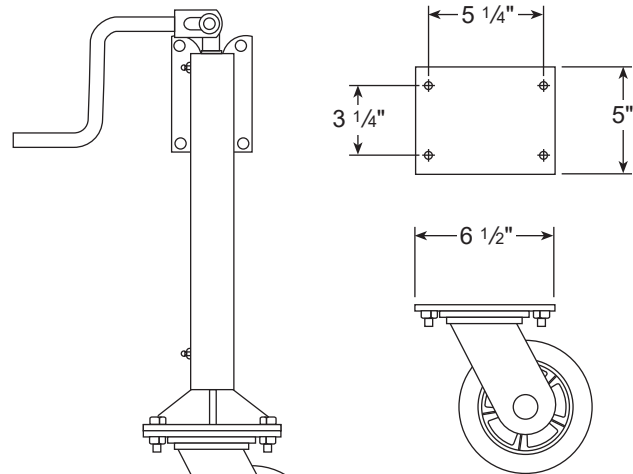
Stoughton Number	Adjustable Length
FE012-00003	53" to 71"
TCS 2947	29" to 47" Flexible
TCS 4479	44" to 79" Flexible



TWO-PIECE ADJUSTABLE BRACE

Stoughton Number	Adjustable Length
FE013-00991	26" to 41" HD
FE013-00992	42" x 57" HD
FE013-00993	58" to 72" HD
P04-10-26-41	26" to 41"
P04-10-42-57	42" to 57"
P04-10-56-72	58" to 72"

Replaces all 01 05425 applications
Three piece also available
Also available in PENZ



DOLLY JACK

Stoughton Number
HHJS-300-B6S

S = Steel Wheel

DOLLY JACK WHEEL

Stoughton Number
IQ62CA06201S

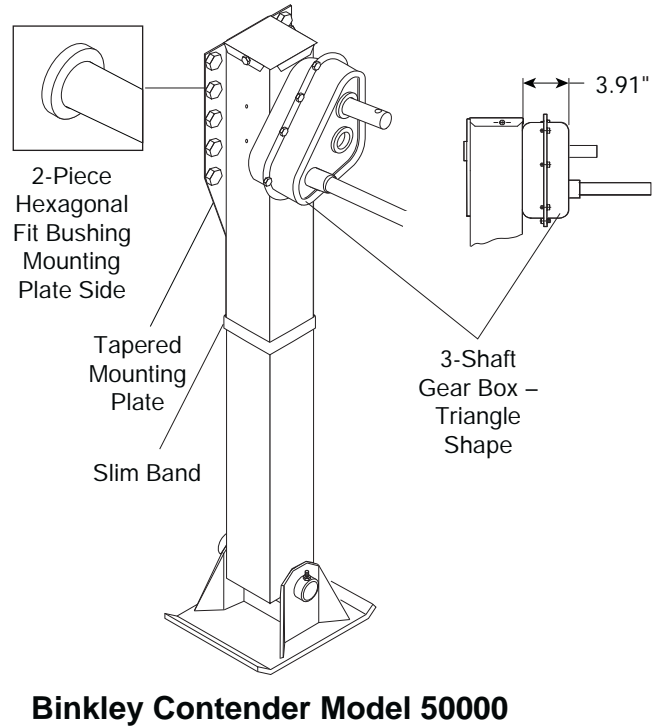
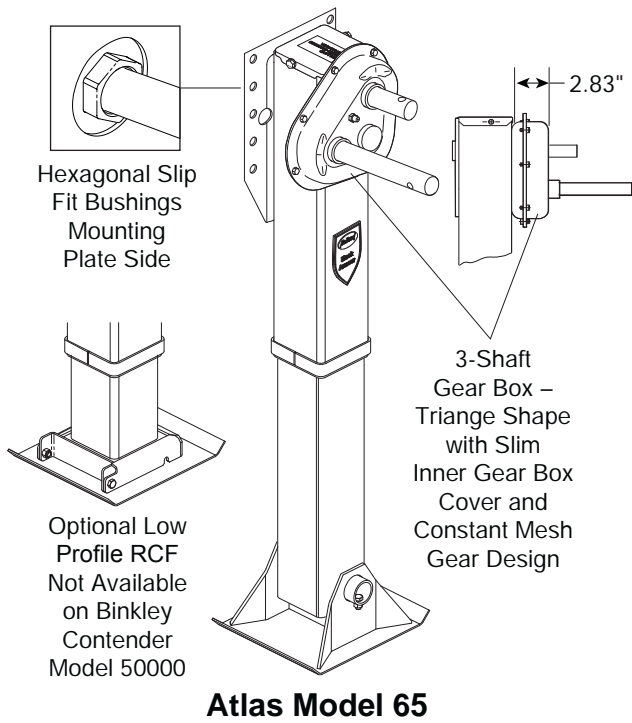
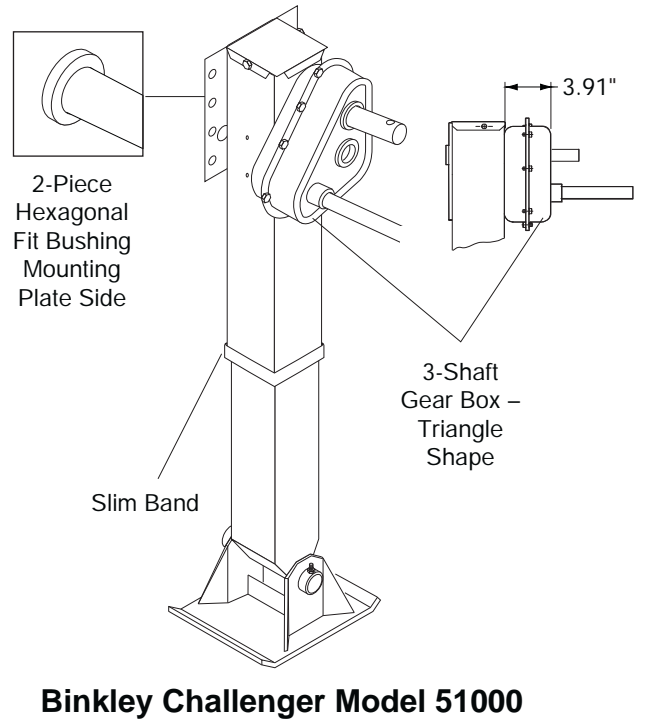
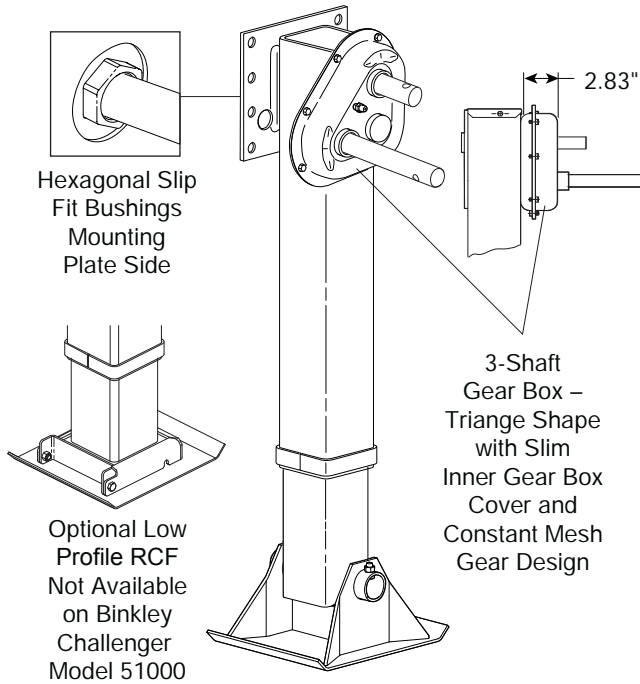


LANDING GEAR WHEELS

Stoughton Number
FE013-00174

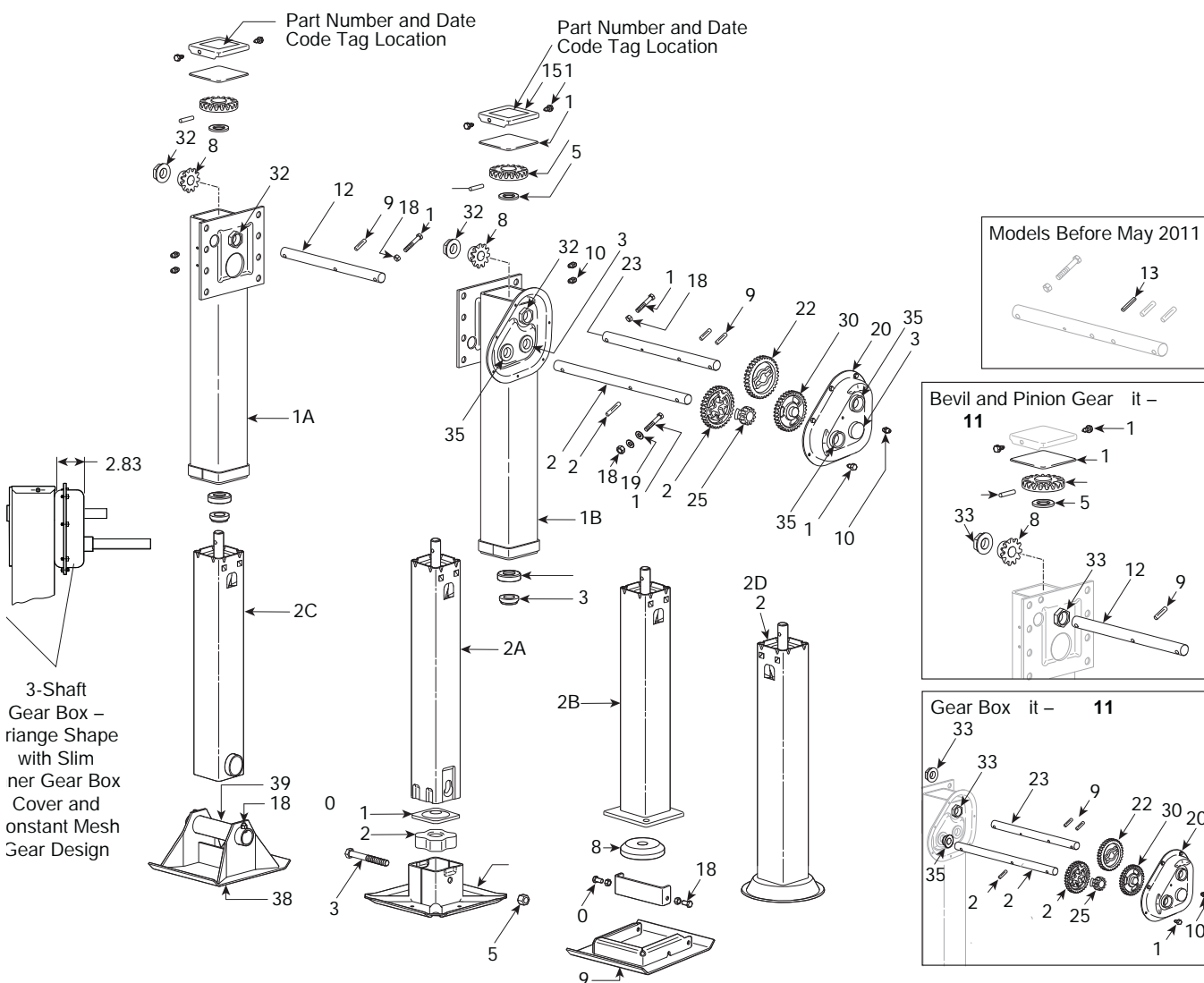
LANDING GEAR

Atlas/Binkley Landing Gear Details



LANDING GEAR

Atlas Model 55 Standard



Parts List Chart A

Item No.	Description	Retract Tube Code	Stoughton Number	
			13.5" Travel	15.5" Travel
2A	Retract Tube - RCF	0 or 5 (MRL)	BKLG3053-01	BKLG3053-02
2B	Retract Tube - Low Profile RCF	0	BKLG3097-01	BKLG3097-02
2C	Retract Tube - Axle	0	BKLG3012-01	BKLG3012-02
2D	Retract Tube - Shockfoot 10" DIA	0 or *6 (Can)	BKLG3061-02	BKLG3061-03
2E	Retract Tube - Shockfoot 12" DIA	0 or *6 (Can)	BKLG3061-01	N/A

Item No.	Description	Retract Tube Code	Stoughton Number		
			17" Travel	17" Travel *Can.	19" Travel
2A	Retract Tube - RCF	0 or 5 (MRL)	BKLG3053-03	BKLG3053-04	BKLG3053-05
2B	Retract Tube - Low Profile RCF	0	BKLG3097-03	N/A	N/A
2C	Retract Tube - Axle	0	BKLG3012-03	N/A	BKLG3012-04
2D	Retract Tube - Shockfoot 10" DIA	0 or *6 (Can)	BKLG3061-04	BKLG3061-07	BKLG3061-13
2E	Retract Tube - Shockfoot 12" DIA	0 or *6 (Can)	BKLG3061-05	BKLG3061-08	BKLG3061-14



LANDING GEAR

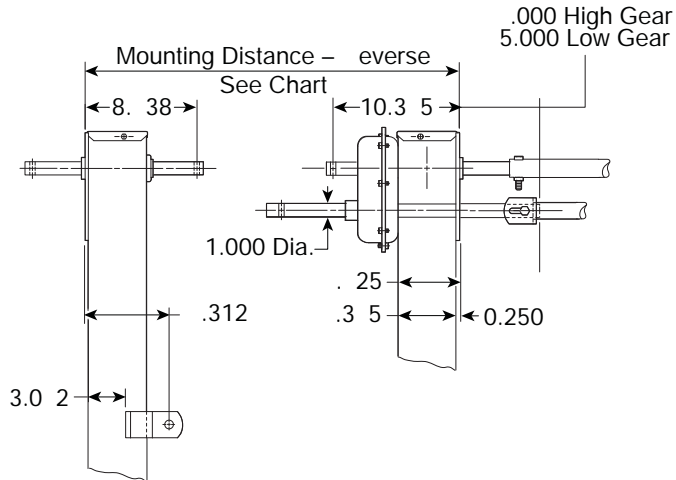
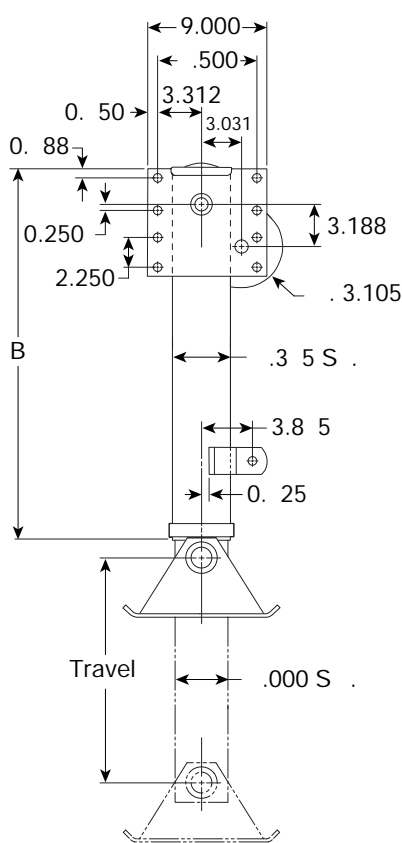
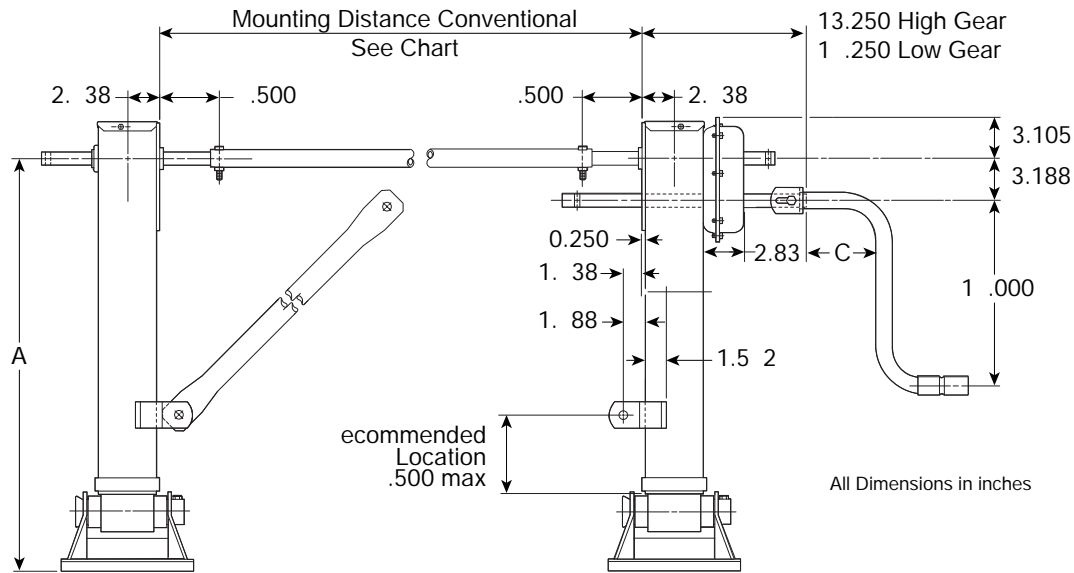
Atlas Model 55 Standard Parts List

Item No.	Stoughton Number	Description	Quantity	
			One Speed	Two Speed
1A	N/A	Upper Housing LH	–	–
1B	N/A	Upper Housing RH	–	–
3	BKXB-LG0544	Collar	1	1
4	BKXB-BRG-013-77	Thrust Bearing	1	1
5	BKXB-PW-016-62	Washer – FL 2" OD x 1.19" ID x 0.13" THK	1	1
6	BKXA-CRP-V-06635	Pin – DIA 0.38"x 2"	1	1
7	BKLG2884	Bevel Gear	1	1
8	BKLG1823-02	Pinion Gear	1	1
9	BKXB-GP-014-18	Groove Pin – DIA 0.38" x 1.50"	1	2
10	BKXB-GRF-022-16	Ftg – Grease 0.25"-28 Self Tapping	2	3
12	BKLG2964-01	Jack Shaft LH – Universal Mount	1	–
	BKLG2964-04	Jack Shaft LH – I-Beam Mount	1	–
	BKLG2964-02	Jack Shaft LH – Conventional Mount	1	–
	BKLG2964-03	Jack Shaft LH – Reverse Mount	1	–
13	N/A	Pin - Spring DIA 0.25" x 1.5" (Not Required)	–	–
14	BKXB-LG0893	Cover Gasket	1	1
15	BKXA-LG0880	Top Cover	1	1
16	BKXB-ST5-008-11	Self-Tapping Screw 0.25"-20 x 0.5" Lg	2	9
17	BKXB-HHC-050-42	Screw, Hex Cap 0.38"-16 x 2.25" Lg GRS	1	2
18	BKXB-SLN-012-04	Self-Locking Nut 0.38"-16 – Sand Shoe	2	3
19	BKXB-SLN-012-04	Self-Locking Nut 0.38"-16 – Low Profile RCF	4	5
20	BKXB-PW-016-03	Washer 0.38" Std Type A	–	2
22	BKLG2996	Gearbox Half, Outside w/Hole for Grease Fitting	–	1
22	BKLG2980	Output Gear	–	1
23	BKLG2963-01	Jackshaft RH – Universal Mount	–	1
	BKLG2963-04	Jackshaft RH – I-Beam Mount	–	1
	BKLG2963-02	Jackshaft RH – Conventional Mount	–	1
	BKLG2963-03	Jackshaft RH – Reverse Mount	–	1
24	BKLG2968	Input Gear – High	–	1
25	BKLG2969	Input Gear – Low	–	1
26	BKXB-GP-052-21	Groove Pin, Type E DIA 0.38" x 2.00" Lg	–	1
27	BKLG3011-01	Shift Shaft – Universal	–	1
	BKLG3011-02	Shift Shaft – I-Beam & Conventional	–	1
	BKLG3011-03	Shift Shaft – Reverse	–	1
30	BKLG2975	Idler Gear	–	1
32	BKLG2926	Hex Lock Boss	2	2
33	BKLG2926-10	Hex Lock Boss – Sealed*	2	2
34	BKLG3005	Output Shaft Bushing	–	2
35	BKLG0659-10	Boss Bearing – Sealed	–	3
38	NW50616001	Sand Shoe – 10" x 10" x 4.50"	1	1
	NW50616000	Sand Shoe – 10" x 12" x 4.50"	1	1
	NW50616008	Sand Shoe – 10" x 10" x 2.00"	1	1
	NW50616007	Sand Shoe – 10" x 12" x 2.00"	1	1
39	BKLG0070-02	Sand Shoe Axle – Hollow Axle 8.50" Lg	1	1
40	BKXB-HHC-050-69	Screw, Hex Cap 0.38"-16 x 0.75" Lg GR5 – Sand Shoe	1	1
41	BKXB-HHC-050-69	Screw, Hex Cap 0.38"-16 x 0.75" Lg GR5 – Low Profile RCF	2	2
42	BKLG0725	Cushion Foot Plate	1	1
42	BKXB-LG0726	Cushion Foot Rubber	1	1
43	BKXB-HHB-050-70	Bolt – Hex Head 0.63" –11 x 5.50"	1	1
44	BKLG0718-01	R.C.F. – DIA 10"	1	1
	BKLG0740-01	R.C.F. – DIA 12"	1	1
	BKLG0732-01	R.C.F. – 10" x 10"	1	1
45	XB-SP0012-10	Self-Locking Nut – 0.63"-11"	1	1
46	BKRK-11442	Bevel & Pinion Gear Repair Kit	1	1
47	BKRK11443	Gear Box Repair Kit	–	1
48	KW728003	Cushion Foot Pad – Low Profile RCF	1	1
49	KW730640	Interchangeable Collar - Low Profile RCF	1	1
50	BKRK-10919	Black Armour™ Touchup Kit (not shown)	1	1

- *Notes: 1. Only supplied in RK kits.
2. Seal not needed in standard Atlas 55

LANDING GEAR

Atlas Model 55 Dimensions and Mounting Distances



Mounting Distances

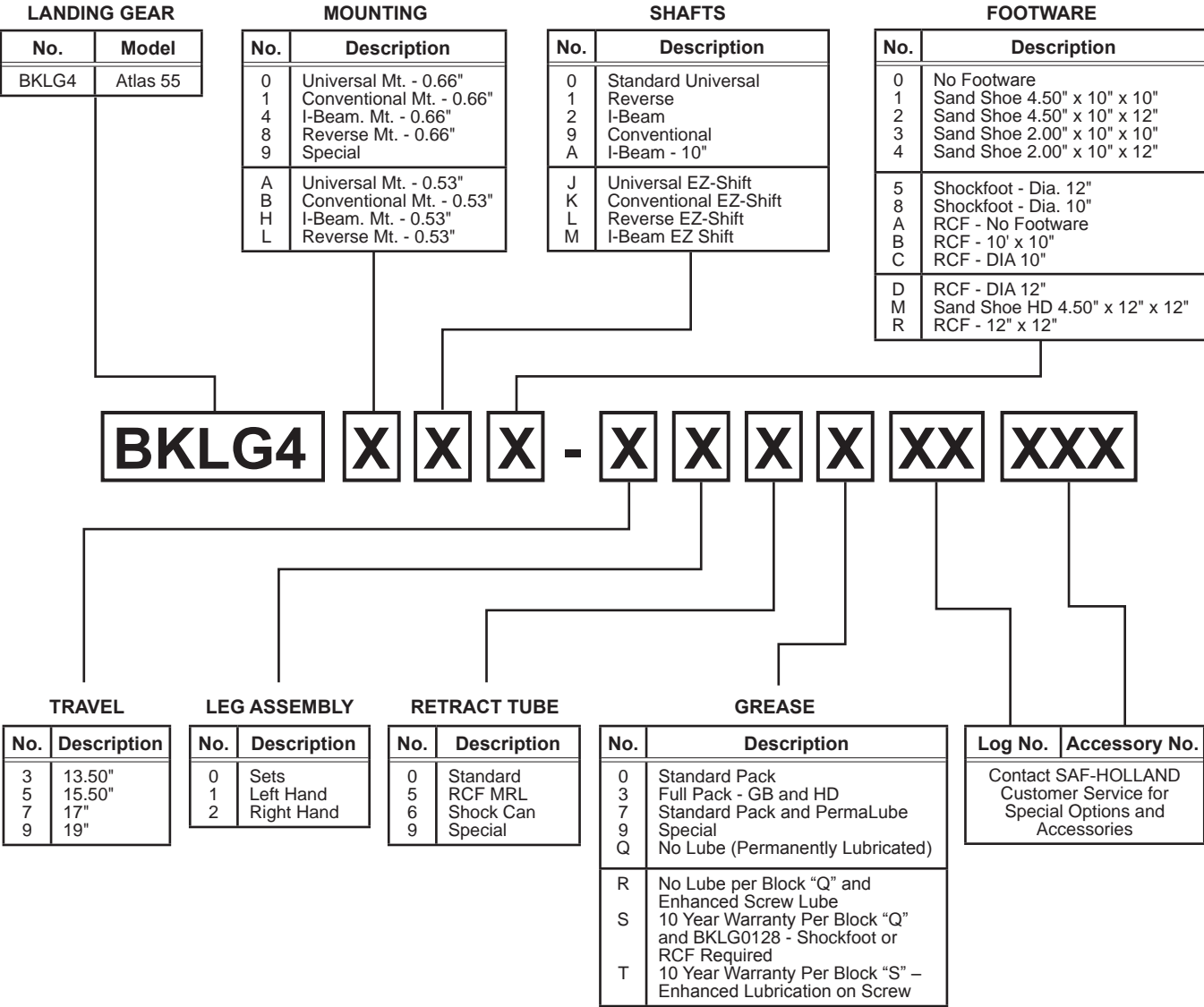
Conventional Mounting Distance	96" Wide Trailer	102" Wide Trailer
Maximum	67.50"	73.50"
Minimum - BKLG0083-01	61.50"	67.50"
Minimum - BKLG0083-03	50.25"	56.25"
Minimum - BKLG0083-05	38.25"	44.25"

Reverse Mounting Distance	96" Wide Trailer	102" Wide Trailer
Maximum	84.00"	90.00"
Minimum - BKLG0083-01	78.00"	84.00"
Minimum - BKLG0083-03	66.75"	72.75"
Minimum - BKLG0083-05	54.75"	60.75"

Atlas 55 Dimensions

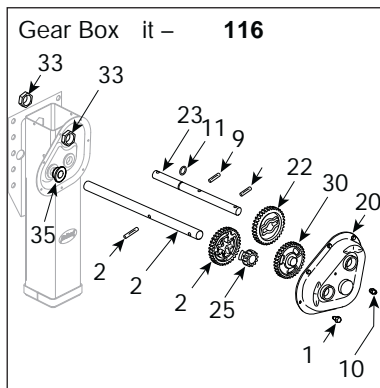
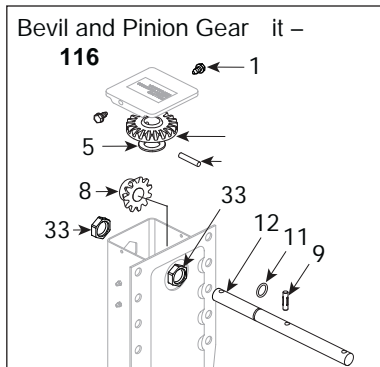
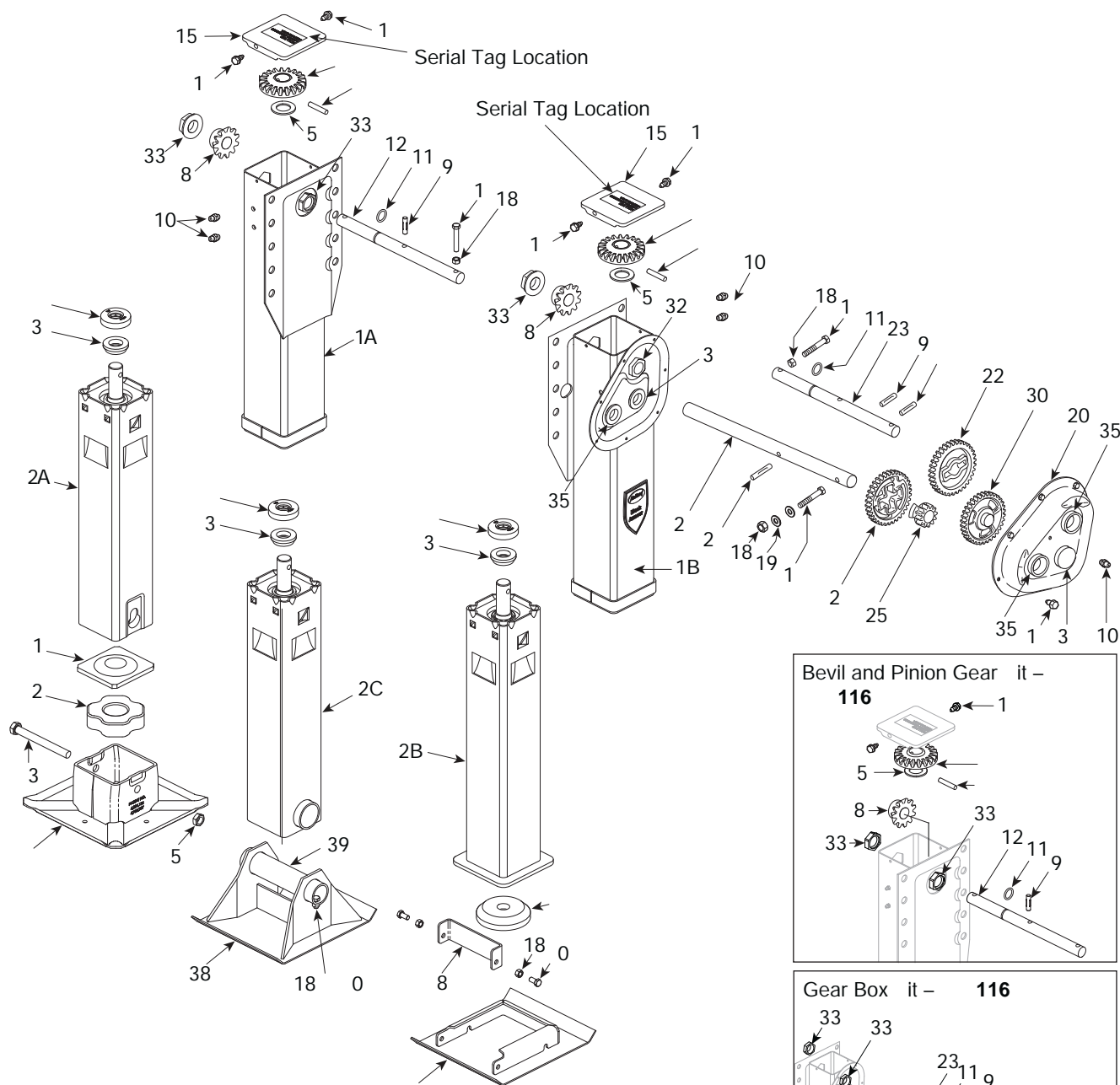
Travel	4.50" Tall Sand Shoe 10"x10" 10"x12"		2.00" Tall Sand Shoe 10"x10" 10"x12"		Shockfoot		Shockfoot Shockfoot Can		RCF Standard		RCF - MRL		Crank Number	"C"
	"A"	"B"	"A"	"B"	"A"	"B"	"A"	"B"	"A"	"B"	"A"	"B"		
13.5"	28.69"	25.56"	26.19"	25.56"	29.00"	28.56"	N/A	N/A	27.25"	25.56"	27.25"	25.56"	BKLG0083-01	5.25"
15.5"	29.69"	26.56"	27.19"	26.56"	N/A	N/A	N/A	N/A	28.25"	26.56"	28.25"	26.56"	BKLG0083-03	10.88"
17"	31.19"	28.06"	28.69"	28.06"	31.75"	30.06"	28.75"	28.06"	31.75"	30.06"	29.75"	28.06"	BKLG0083-05	16.88"
19"	33.69"	30.06"	31.19"	30.06"	34.25"	30.56"	N/A	N/A	32.38"	30.06"	N/A	N/A		

LANDING GEAR Atlas Model 55 Ordering Information



LANDING GEAR

Atlas Model 65 Standard



Parts List Chart A

Item No.	Description	Stoughton Number	
		13.5"	15.5" Travel
2A	Retract Tube – RCF	SAF211120000130	SAF211120000140
2B	Retract Tube – Low Profile RCF	SAF2111200002480	SAF2111200002490
2C	Retract Tube – Axle	SAF2111200000230	SAF2111200000240

Item No.	Description	Stoughton Number		
		17" Travel	17" Travel *MRL	19" Travel
2A	Retract Tube – RCF	SAF2111200000150	SAF2111200000160	SAF2111200000170
2B	Retract Tube – Low Profile RCF	SAF21112000002510	SAF21112000002500	SAF21112000002520
2C	Retract Tube – Axle	SAF2111200000250	N/A	SAF2111200000260



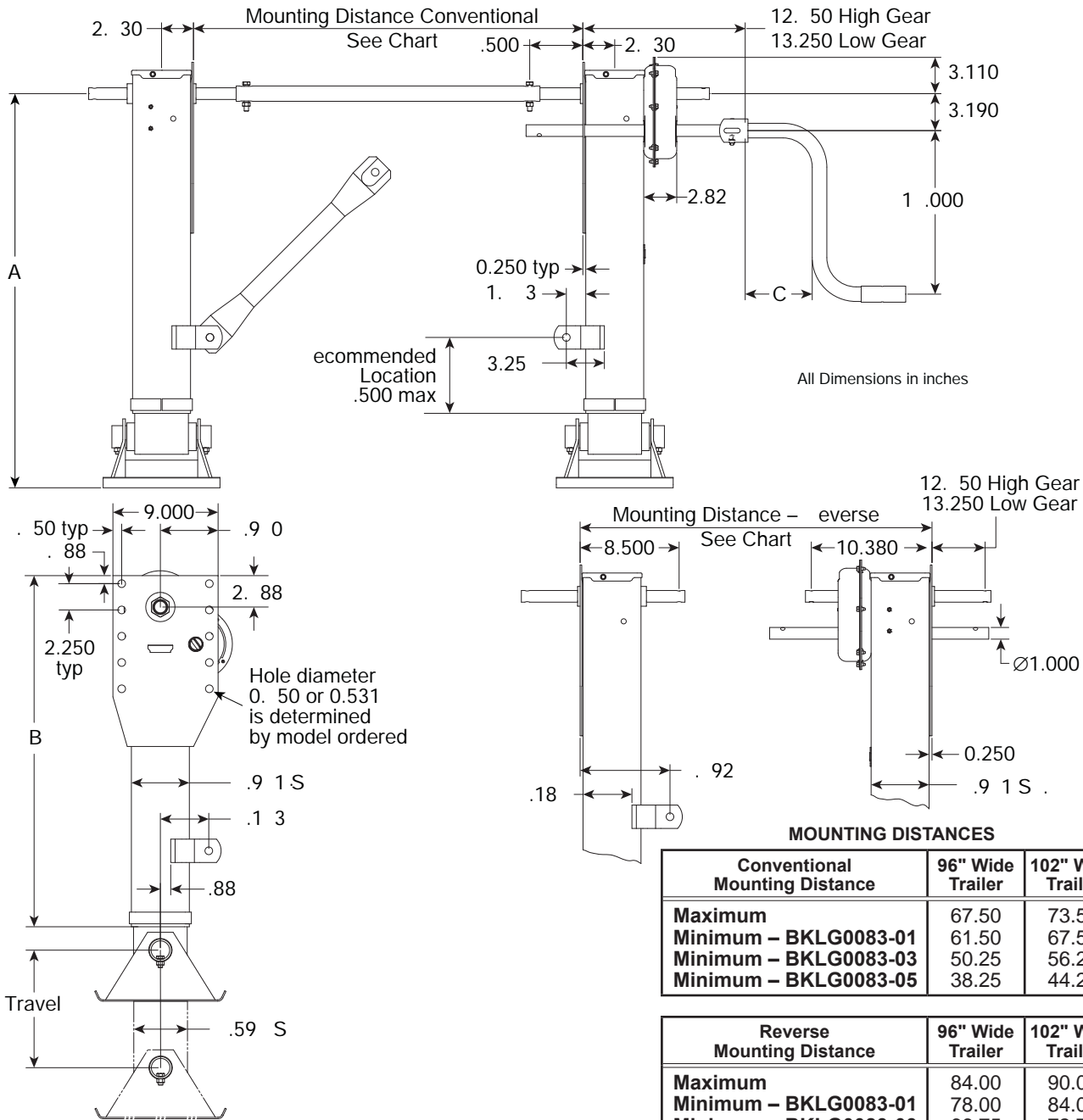
LANDING GEAR

Atlas Model 65 Standard Parts List

Item No.	Stoughton Number	Description	Quantity	
			One Speed	Two Speed
1A	N/A	Upper Housing LH	–	–
1B	N/A	Upper Housing RH	–	–
3	BKXB-LG0544	Collar	1	1
4	BKXB-BRG-013-77	Thrust Bearing	1	1
5	BKXB-PW-016-62	Washer – FL 2" OD x 1.19" ID x 0.13" THK	1	1
6	BKXA-CRP-V-06635	Pin – DIA 0.38"x 2"	1	2
7	BKLG2884	Bevel Gear	1	1
8	BKLG1823-02	Pinion Gear	1	1
9	BKXB-GP-014-18	Groove Pin – DIA 0.38" x 1.50"	1	1
10	BKXB-GRF-022-16	Ftg – Grease 0.25"-28 Self Tapping	2	3
11	BKXB-RNG-021-13	O-Ring	1	1
12	SAF2111100000430	Jack Shaft LH – Universal Mount	1	–
	SAF2111100000460	Jack Shaft LH – I-Beam Mount – 6.5"	1	–
	SAF2111100000470	Jack Shaft LH – I-Beam Mount – 10"	1	–
	SAF2111100000440	Jack Shaft LH – Conventional Mount	1	–
15	SAF2111100000450	Jack Shaft LH – Reverse Mount	1	–
16	SAF2111100000530	Top Cover	1	1
17	BKXB-STS-008-11	Self-Tapping Screw 0.25"-20 x 0.5" Lg	2	9
18	BKXB-HHC-050-42	Screw, Hex Cap 0.38"-16 x 2.25" Lg GR5	1	2
	BKXB-SLN-012-04	Self-Locking Nut 0.38"-16 – Sand Shoe	3	4
19	BKXB-SLN-012-04	Self-Locking Nut 0.38"-16 – Low Profile RCF	3	4
20	BKXB-PW-016-03	Washer 0.38" Std Type A	–	2
	BKLG2996	Gearbox Half, Outside w/Hole for Grease Fitting	–	1
		Includes: (1) Idler Shaft Bushing – #34	–	–
		(2) Boss Bearing – Sealed – #35	–	–
22	BKLG2980	Output Gear	–	1
23	SAF2111100000480	Jackshaft RH – Universal Mount	–	1
	SAF2111100000510	Jackshaft RH – I-Beam Mount – 6.5" Shaft	–	1
	SAF2111100000520	Jackshaft RH – I-Beam Mount – 10.0" Shaft	–	1
	SAF2111100000490	Jackshaft RH – Conventional Mount	–	1
24	SAF2111100000500	Jackshaft RH – Reverse Mount	–	1
25	BKLG2968	Input Gear – High	–	1
26	BKLG2969	Input Gear – Low	–	1
27	BKXB-GP-052-21	Groove Pin, Type E DIA 0.38" x 2.00" Lg	–	1
	BKLG3011-01	Shift Shaft – Universal	–	1
30	BKLG3011-02	Shift Shaft – I-Beam & Conventional	–	1
	BKLG3011-03	Shift Shaft – Reverse	–	1
32	BKLG2975	Idler Gear	–	1
33	SAF2022100000190	Hex Lock Boss	–	1
	SAF2022300000020	Hex Lock Boss – Sealed	2	1
34	BKLG3005	Idler Shaft Bushing	–	2
35	BKLG0659-10	Boss Bearing – Sealed	–	3
38	BKLG0056	Sand Shoe – 10" x 10" x 2.00"	1	1
	BKLG0051	Sand Shoe – 10" x 12" x 2.00"	1	1
	BKLG0122	Sand Shoe – 12" x 12" x 2.00"	1	1
	BKLG0056-02	Sand Shoe – 10" x 10" x 2.00"	1	1
	BKLG0055	Sand Shoe – 10" x 10" x 4.50"	1	1
	BKLG0050	Sand Shoe – 10" x 12" x 4.50"	1	1
	BKLG0065-04	Sand Shoe – 12" x 12" x 4.50"	1	1
	BKLG1815-05	Sand Shoe – 16" x 16" x 4.50"	1	1
	BKLG0055-01	Sand Shoe – 10" x 10" x 4.50"	1	1
	BKLG0065	Sand Shoe – 10" x 12" x 4.50"	1	1
	BKLG0065-01	Sand Shoe – 12" x 12" x 4.50"	1	1
	BKLG0065-02	Sand Shoe – 12" x 17" x 4.50"	1	1
39	BKLG0070-02	Sand Shoe Axle – Hollow Axle 8.50" Lg	1	1
40	BKXB-HHC-050-69	Screw, Hex Cap 0.38"-16 x 0.75" Lg GR5 – Sand Shoe	2	2
41	BKXB-HHC-050-69	Screw, Hex Cap 0.38"-16 x 0.75" Lg GR5 – Low Profile RCF	2	2
42	SAF2034160000150	Cushion Foot Plate	1	1
43	BKXB-LG0713	Cushion Foot Rubber	1	1
	BKXB-HHB-050-58	Bolt – Hex Head 0.63"-11 x 6.00"	1	1
44	SAF2034200000170	R.C.F. – 10" x 10"	1	1
45	XB-SP0012-10	Self-Locking Nut – 0.63"-11"	1	1
46	BK728003	Cushion Foot Pad – Low Profile RCF	1	1
47	BK730640	Low Profile RCF	1	1
48	BK730638	Interchangeable Strap	1	1
49	BKRRK-11682	Bevel & Pinion Gear Repair Kit	1	1
50	BKRRK-11683	Gear Box Repair Kit	–	1
51	BKRRK-10919	Black Armour™ Touchup Kit (not shown)	1	1

LANDING GEAR

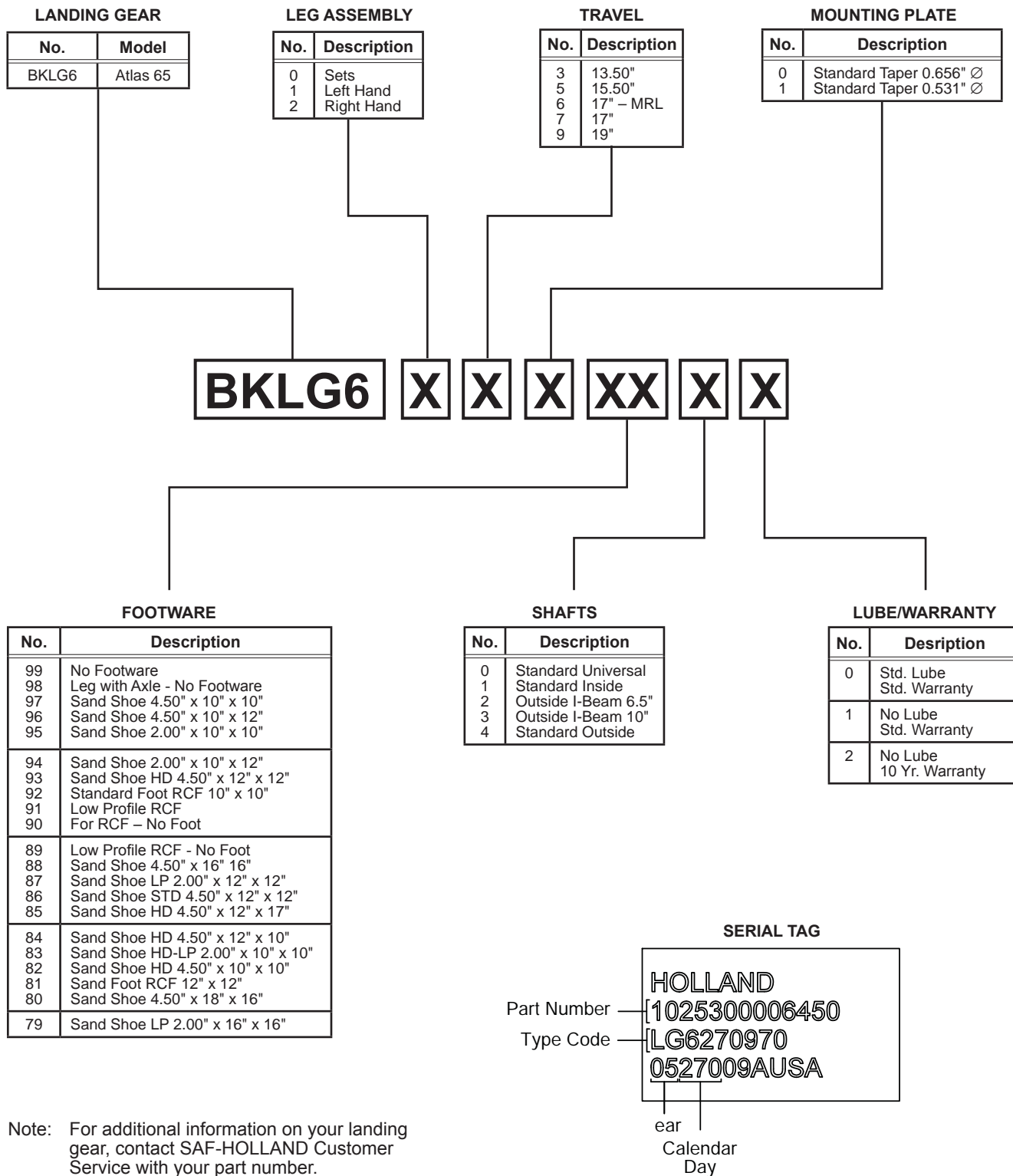
Atlas Model 65 Dimensions and Mounting Distances



Atlas 65 Dimensions

Travel	4.50" Tall Sand Shoe 10"x10" 10"x12" 12"x12" 16"x16"		4.50" Tall Sand Shoe 10"x10" 10"x12" 12"x12" 12"x17"		2.00" Tall Sand Shoe 10"x10" 10"x12" 12"x12"		2.00" Tall HD Sand Shoe 10"x10"		RCF Standard		RCF Low Profile		Crank Number	"C"
	"A"	"B"	"A"	"B"	"A"	"B"	"A"	"B"	"A"	"B"	"A"	"B"		
13.5"	28.85"	25.56"	28.85"	25.56"	26.35"	25.56"	26.35"	25.56"	27.41"	25.56"	27.40"	25.56"	BKL0083-01	6.38"
15.5"	29.85"	26.56"	29.85"	26.56"	27.35"	26.56"	27.35"	26.56"	28.41"	26.56"	28.40"	26.56"	BKL0083-03	12.00"
17" MRL	N/A	N/A	N/A	N/A	N/A	N/A	N/A	N/A	29.91"	28.06"	28.90"	28.06"	BKL0083-05	18.00"
17"	31.35"	28.06"	31.35"	28.06"	28.85"	28.06"	28.85"	28.06"	31.91"	30.06"	31.90"	30.06"		
19"	33.85"	30.06"	33.85"	30.06"	31.35"	30.06"	31.35"	30.06"	32.54"	30.06"	32.50"	30.06"		

LANDING GEAR Atlas Model 65 Ordering Information

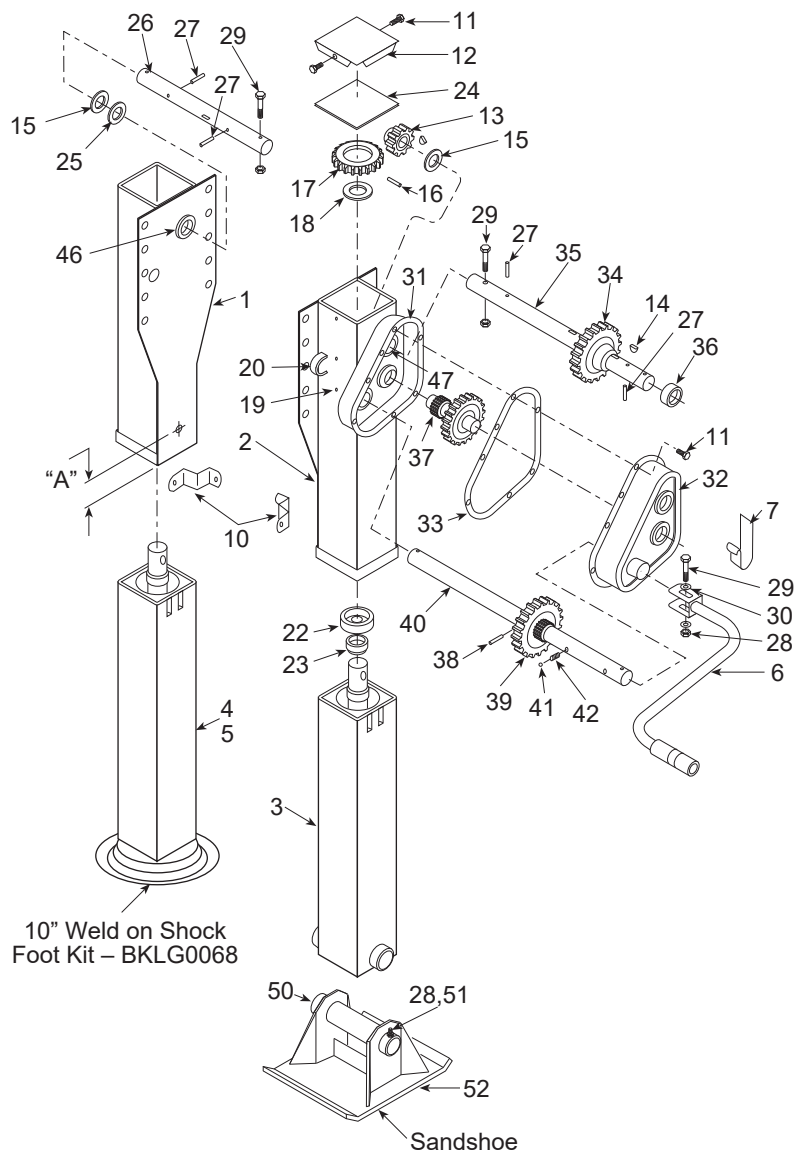


Note: For additional information on your landing gear, contact SAF-HOLLAND Customer Service with your part number.

LANDING GEAR

Binkley Challenger Model 50,000

Legs/sets cannot be ordered.
Information shown for reference only.



UNIVERSAL MOUNT
SAND SHOE 10" x 10" x 4 1/2"

Stoughton Number	Description
BKLG5001-70	Complete Set With Hardward
BKLG5001-70 L/HDW	Complete Set Without Hardware
BKLG5001-71	Non-Gear Leg Only
BKLG5001-72	Gearside Leg Only

Parts List Chart A

Item No.	Description	Stoughton Number		
		17" Travel A = 3/4"	13 1/2" Travel A = No Hole	19" Travel A = 3 1/4"
1	Upper HSG. Left Hand	BKLG0229-02	BKLG0229-04	BKLG0229-06
2	Upper HSG. Right Hand (with Gearbox Half)	BKLG0228-02	BKLG0228-04	BKLG0228-06
3	Retracting Tube Assembly	BKLG0574-02	BKLG0574-01	BKLG0574-04
4	Retracting Tube Assembly 10" Dia. Shock Foot	BKLG0569	BKLG0569-01	BKLG0569-04
5	Retracting Tube Assembly 12" Dia. Shock Foot	BKLG0580-02	BKLG0580-05	BKLG0580-03



LANDING GEAR

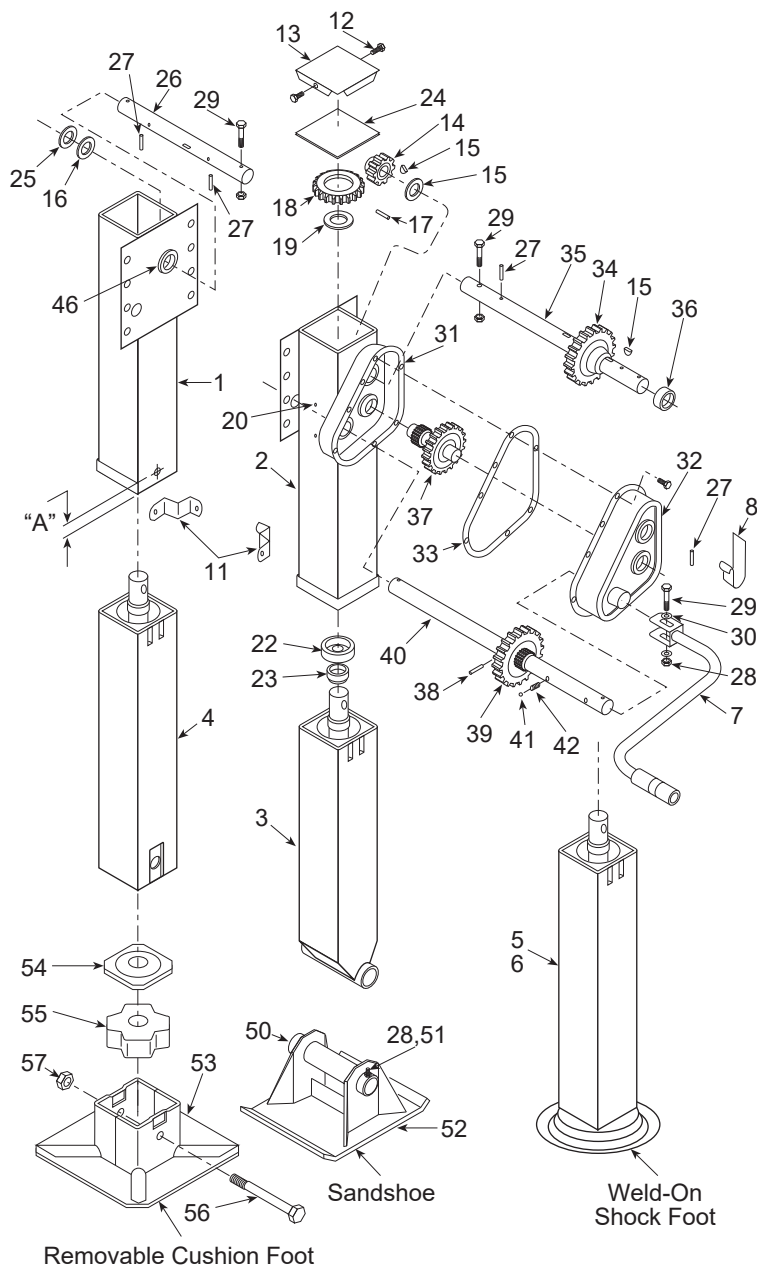
Binkley Challenger Model 50,000 Parts List

Item No.	Stoughton Number	Description	Quantity
1	See Chart A	Upper HSG. Left Hand	1
2	See Chart A	Upper HSG. Right Hand (with Gearbox Half)	1
3	See Chart A	Retracting Tube Assembly	2
4	See Chart A	Retracting Tube Assembly – 10" Diameter Shock Foot	2
5	See Chart A	Retracting Tube Assembly – 12" Diameter Shock Foot	2
6	BKLG0083	Universal Crank	1
7	BKLG0085	Crank Hanger	1
8	BKLG0094	Cross Drive Shaft (not shown)	1
9	BKLG0091	Strut Brace (not shown)	4
10	BKLG0266	Strut Bracket	2
11	BKXB-ST5-008-11	Screw – Cover and Gearbox	11
12	BKLG0264	Cover	2
13	BKLG0531-02	Pinion Gear	2
14	BKPP0018-02	Woodruff Key	3
15	BKXB-PW-016-19	Thrust Washer	2
16	BKXB-GP-052-21	Groove Pin	2
17	BKLG0570-01	Bevel Gear	2
18	BKXB-PW-016-62	Washer	2
19	BKPP0022-08	Grease Fitting	5
20	BKLG1364	Shift Shaft Support	1
21	BKLG0668	Rubber Seal Behind Gearbox (not shown)	1
22	BKPP0013-77	Thrust Bearing	2
23	BKLG0544	Collar	2
24	BKLG0413	Cover Gasket	2
25	BKPP0016-14	Thrust Washer Left Hand	1
26	BKLG0259	Jack Shaft Left Hand Universal Mount	1
	BKLG0369-01	Jack Shaft Left Hand I-Beam Mount	1
27	BKPP0014-27	Roll Pin	4
28	BKPP0012-04	Self-Locking Nut	5
29	BKPP0050-42	Bolt – Crank and Cross Drive	3
30	BKPP0016-03	Flat Washer	2
31	BKLG0662	Gear Box Half-Inside	1
32	BKLG0663	Gear Box Half-Outside	1
33	BKLG0428	Gasket	1
34	BKLG0543-01	Output Gear	1
35	BKLG0260	Jack Shaft Right Hand Universal Mount	1
	BKLG0370-01	Jack Shaft Right Hand I-Beam Mount	1
36	BKLG0219-01	Spacer Bushing	1
37	BKLG0542-01	Idler Gear	1
38	BKPP0014-07	Groove Pin	1
39	BKLG0541-01	Input Gear	1
40	BKLG0261-01	Shift Shaft Universal Mount	1
	BKLG0371-01	Shift Shaft I-Beam Mount	1
41	BKXB-BAL-023-07	Shift Lock Ball	1
42	BKXB-SPG-020-36	Shift Lock Spring	1
43	BKLG0658-01	Shift Lock Boss (Press Fit)	1
44	BKLG0559-01	Double Step Boss (not shown)	1
45	BKLG1570	Retainer (not shown)	1
46	BKLG0219	Bushing	2
47	BKLG0660	Step Boss G.B. to HSG. Press Fit	1
48	BKLG0659-01	Boss Press Fit – G.B. (not shown)	4
49	BKLG0553	Gear Box Assy. – Complete Univ. Mount (not shown)	1
50	BKLG0070-02	Shoe Axle	2
51	BKPP0050-69	Hex Head Bolt	2
52	BKLG0050	Shoe 10" x 12" x 4 1/2"	2
	BKLG0055	Shoe 10" x 10" x 4 1/2"	2
	BKLG0051	Shoe 10" x 12" x 2"	2
	BKLG0056	Shoe 10" x 10" x 2"	2

LANDING GEAR

Binkley Contender Model 51,000

Legs/sets cannot be ordered.
Information shown for reference only.



BOLT-ON CUSHION FOOT

Stoughton Number	Description
BKLG400B	10" X 10" Square Removable Bolt-On With Hardware
BLKG400B-70 L/HDW	10" X 10" Square Removable Bolt-On Without Hardware
BKLG400C	10" Round Bolt-On

UNIVERSAL MOUNT 10" ROUND CUSHION FOOT

Stoughton Number	Description
BKLG4008-70	Complete Set
BKLG4008-71	Non-Gear Leg Only
BKLG4008-72	Gearside Leg Only

I-BEAM MOUNT 10" x 10" REMOVABLE SHOE

Stoughton Number	Description
BKLG44AB-70	Complete Set
BKLG44AB-71	Non-Gear Leg Only
BKLG44AB-72	Gearside Leg Only

UNIVERSAL MOUNT SAND SHOE 10" x 10" x 4 1/2"

Stoughton Number	Description
BKLG4001-70	Complete Set With Hardware
BKLG4001-70 L/HDW	Complete Set Without Hardware
BKLG4001-71	Non-Gear Leg Only
BKLG4001-72	Gearside Leg Only

215 lbs per set, 16 per skid
Uses BKLG0094 Cross Shaft

Parts List Chart A

Item No.	Description	Stoughton Number		
		17" Travel A = 3/4"	13 1/2" Travel A = No Hole	19" Travel A = 3 1/4"
1	Upper HSG. Left Hand	BKLG0888-02	BKLG0888-01	BKLG0888-03
2	Upper HSG. Right Hand (with Gearbox Half)	BKLG0950-02	BKLG0950-01	BKLG0950-03
3	Retracting Tube Assembly	BKLG0613-02	BKLG0914-01	BKLG0613-03
4	Retracting Tube Assembly - R.C.F.	BKLG0748-17	BKLG0884-01	BKLG0884-01
5	Retracting Tube Assembly 10" Dia. Shock Foot	BKLG0624-08	BKLG0624-07	BKLG0624-09
6	Retracting Tube Assembly 12" Dia. Shock Foot	BKLG0624-02	BKLG0624-01	BKLG0624-03



LANDING GEAR

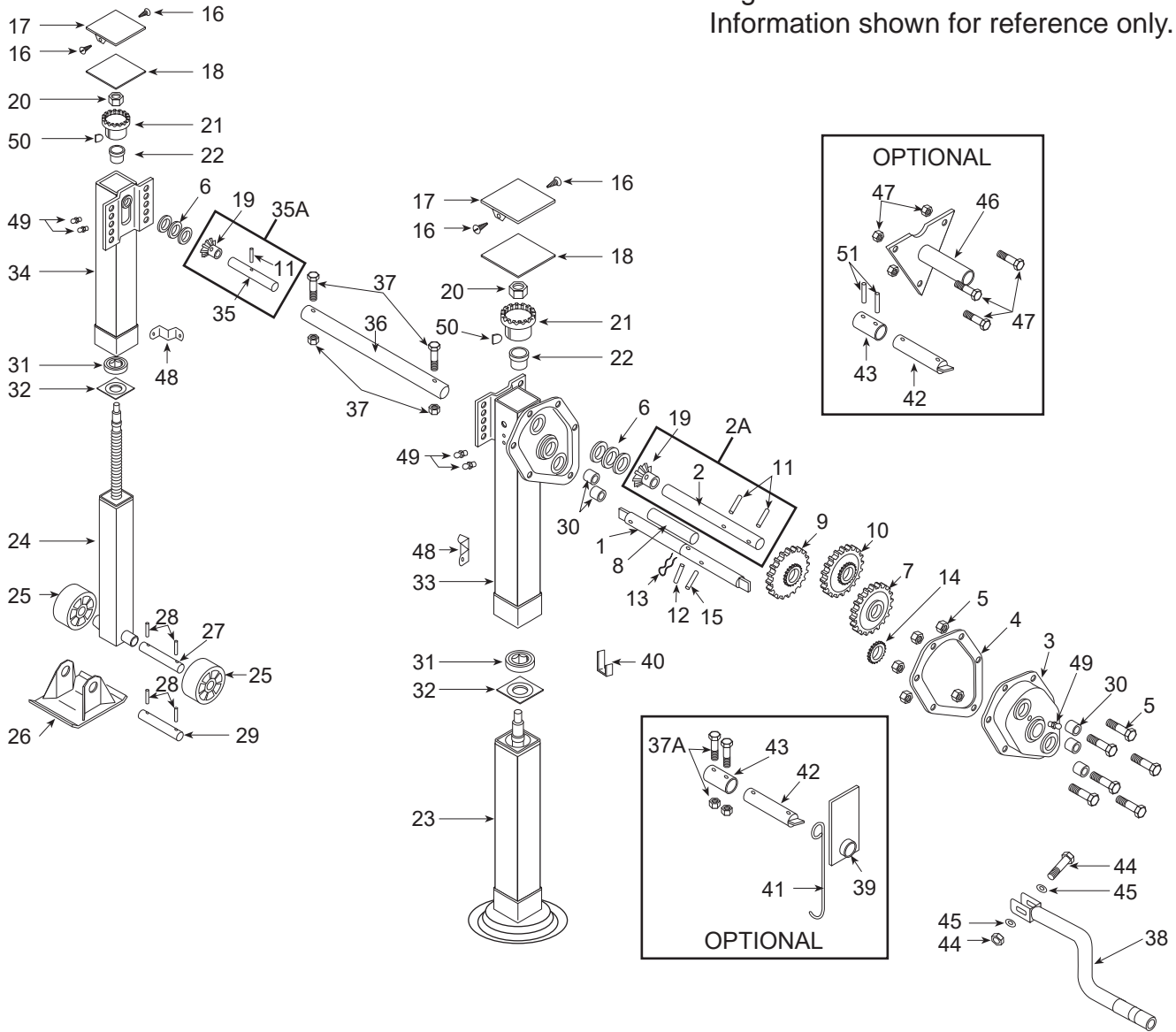
Binkley Contender Model 51,000 Parts List

Item No.	Stoughton Number	Description	Quantity
1	See Chart A	Upper HSG. Left Hand	1
2	See Chart A	Upper HSG. Right Hand (with Gearbox Half)	1
3	See Chart A	Retracting Tube Assembly	2
4	See Chart A	Retracting Tube Assembly – R.C.F.	2
5	See Chart A	Retracting Tube Assembly – 10" Diameter Shock Foot	2
6	See Chart A	Retracting Tube Assembly – 12" Diameter Shock Foot	2
7	BKLG0083	Universal Crank	1
8	BKLG0085	Crank Hanger	1
9	BKLG0094	Cross Drive Shaft (not shown)	1
10	BKLG0091	Strut Brace (not shown)	4
11	BKLG0266	Strut Bracket	2
12	BKXB-ST5-008-11	Screw-Cover and Gasket	11
13	BKLG0675	Cover	2
14	BKLG1823-01	Pinion Gear	2
15	BKPP0018-02	Woodruff Key	3
16	BKXB-PW-016-19	Thrust Washer	2
17	BKXB-GP-052-21	Groove Pin	2
18	BKLG0570-01	Bevel Gear	2
19	BKXB-PW-016-62	Washer	2
20	BKPP0022-08	Grease Fitting	5
21	BKLG0668	Rubber Seal Behind Gearbox (not shown)	1
22	BKPP0013-77	Thrust Bearing	2
23	BKLG0544	Collar	2
24	BKXB-LG0893	Cover Gasket	2
25	BKPP0016-14	Thrust Washer Left Hand	1
26	BKLG0599	Jack Shaft Left Hand Universal Mount	1
	BKLG0946	Jack Shaft Left Hand I-Beam Mount	1
27	BKPP0014-27	Roll Pin	4
28	BKPP0012-04	Self-Locking Nut	5
29	BKPP0050-42	Bolt-Crank and Cross Drive	3
30	BKPP0016-03	Flat Washer	2
31	BKLG0662	Gear Box Half-Inside	1
32	BKLG0663	Gear Box Half-Outside	1
33	BKLG0428	Gasket	1
34	BKLG0543-01	Output Gear	1
35	BKLG0615	Jack Shaft Right Hand Universal Mount	1
	BKLG0928	Jack Shaft Right Hand I-Beam Mount	1
36	BKLG0219-01	Spacer Bushing	1
37	BKLG0542-01	Idler Gear	1
38	BKPP0014-07	Groove Pin	1
39	BKLG0541-01	Input Gear	1
40	BKLG0261-01	Shift Shaft Universal Mount	1
	BKLG0371-01	Shift Shaft I-Beam Mount	1
41	BKXB-BAL-023-07	Shift Lock Ball	1
42	BKXB-SPG-020-36	Shift Lock Spring	1
43	BKLG0658-01	Shift Lock Boss (Press Fit)	1
44	BKLG0559-01	Double Step Boss (not shown)	1
45	BKLG1570	Retainer (not shown)	1
46	BKLG0219	Bushing	2
47	BKLG0660	Step Boss G.B. to HSG. Press Fit	1
48	BKLG0659-01	Boss Press Fit – G.B. (not shown)	4
49	BKLG0553-05	Gear Box Assy. – Complete Univ. Mount (not shown)	1
50	BKLG0070-02	Shoe Axle	2
51	BKXB-HHC-050-69	Hex Head Bolt	2
52	BKLG0050	Shoe 10" x 12" x 4 1/2"	2
	BKLG0055	Shoe 10" x 10" x 4 1/2"	2
	BKLG0051	Shoe 10" x 12" x 2"	2
	BKLG0056	Shoe 10" x 10" x 2"	2
53	BKLG0718-01	R.C.F. 10" Diameter	2
	BKLG0740-01	R.C.F. 12" Diameter	2
54	BKLG0732-01	R.C.F. 10" x 10"	2
55	BKLG0725	Cushion Foot Plate	2
56	BKLG0726	Cushion Foot Rubber	2
56	BKXB-HHB-050-70	Hex Head Bolt	2
57	BKPP0012-10	Hex Head Nut	2

LANDING GEAR

Holland Mark V Model – Old Design Before May 1994

Legs/sets cannot be ordered.
Information shown for reference only.



STANDARD SKID FOOT

Stoughton Number	Description
HHLGS-3A105	Complete Set
HHXA-S9-3A105	Non-Gear Leg Only
HHXA-S8-3A105	Gearside Leg Only

LOW PROFILE FOOT

Stoughton Number	Description
HHLG75-2A113	Complete Set
HHXA-S9-2A113	Non-Gear Leg Only
HHXA-S8-2A113	Gearside Leg Only

SELF-LEVELING FOOT

Stoughton Number	Description
HHLG75-2A001	Complete Set
HHXA-S9-2A001	Non-Gear Leg Only
HHXA-S8-2A001	Gearside Leg Only



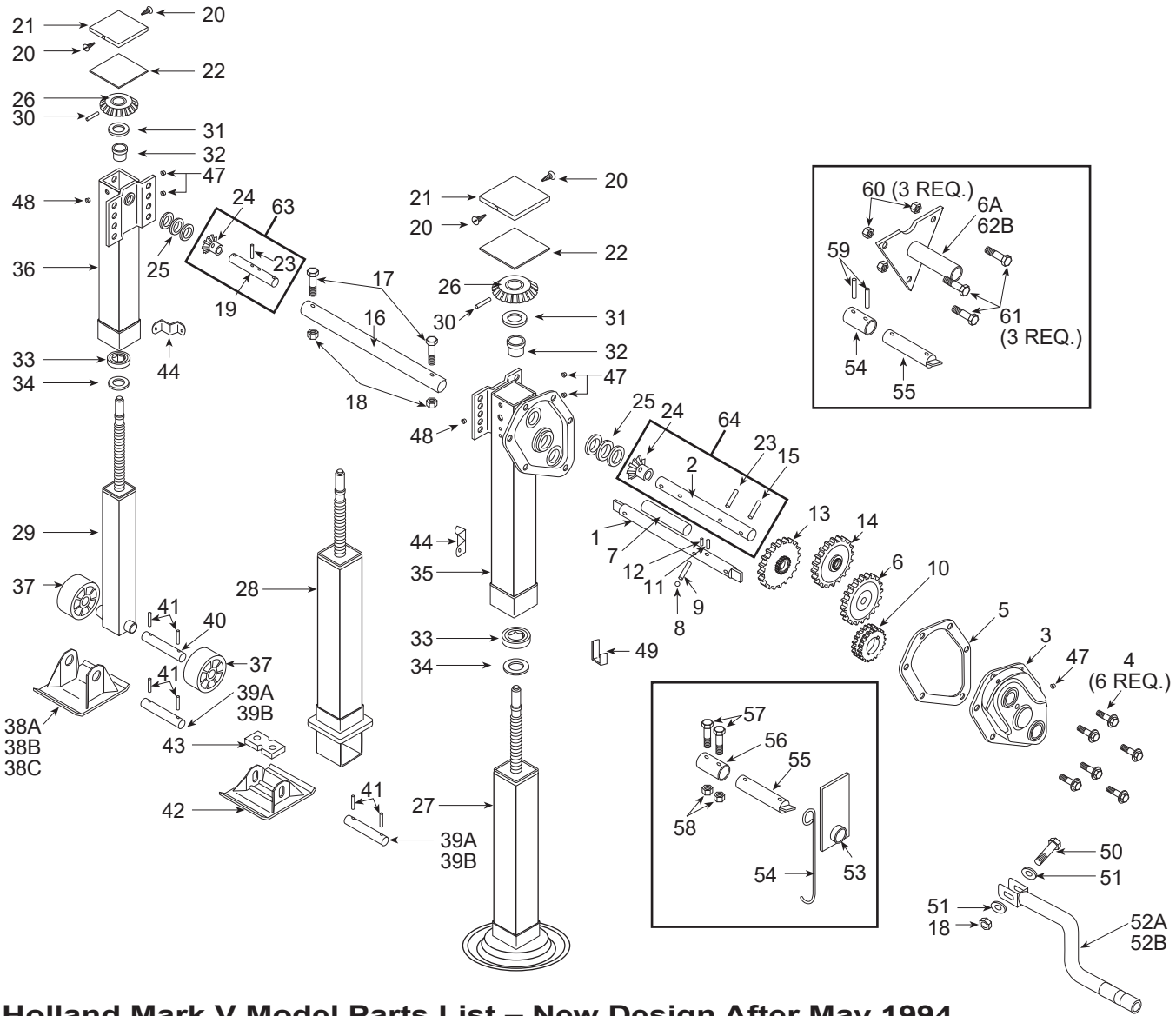
LANDING GEAR

Holland Mark V Model Parts List – Old Design Before May 1994

Item No.	Stoughton Number	Description	2-Speed Side	Single Speed Side
1	HHXA-V-05159A	Crankshaft	1	
2	Part of 2A	Drive Gear Shaft (2-speed)	1	
2A	HHRK-V-05801-2	Drive Gear Shaft Kit (2-speed)	1	
3	HHXA-V-1920	Gearbox Cover	1	
4	HHXB-V-1926	Gasket	1	
5	HHXB-3103	Locknut 1/4"-28	6	
6	HHXB-CX14-28F-58	Hex Head Cap Screw 1/2"-28 x 5/8"	6	
7	HHXB-H-36	Shims (as required)	3	3
8	HHXA-V-1927	Idler Gear	1	
	HHXA-V-1957	Idler Gear Shaft	1	
9	HHXA-V-1928-1	Step Gear (undrilled)	1	
10	HHXA-V-1928	Step Gear (drilled)	1	
11	Part of 2A and 35A	Spiral Pin 3/8" x 1 1/2"	2	1
12	HHXB-21-S-187-1250	Spiral Pin 3/16" x 1 1/4"	1	
13	HHXB-V-1949	Shifter Spring	1	
14	HHXA-V-1929	Shifter Gear	1	
15	HHXA-CRP-V-1917	Pin 3/8" x 1 7/16"	1	
16	HHXB-MSR-316C500	Self Tapping Screw	2	2
17	HHXA-V-1966-2	Metal Leg Cover	1	1
18	HHXB-V-07054	Gasket	1	1
19	Part of 2A and 35A	Bevel Pinion	1	1
20	HHXB-FW-25	Jam Nut 1"-14	1	1
21	HHXA-V-1962	Bevel Gear	1	1
22	HHXB-V-643-A2	Bushing	1	1
23	HHXA-V60-A-0 thru -5	Inner Leg & Screw Assembly (-001 series)	1	1
24	HHXA-V63-A-0 thru -5	Inner Leg & Screw Assembly (-103 & -105)	1	1
25	HHXB-V-747	Wheel (3 1/2" x 9")	2	2
26	HHXA-V-796-B-1	Skid Foot 12" x 11 1/2" (-105 models)	1	1
27	HHXA-V-1901-2	Axle (wheel models)	1	1
28	HHXB-21S-3753000	Roll Pin 3/8" x 3" (-103 & -105 models)	2	2
29	HHXA-V-1901-1	Axle (skid foot models)	1	1
30	HHXB-V-851	Bushing	5	
31	HHXB-V-647	Thrust Bearing	1	1
32	HHXA-V-1913	Thrust Washer	1	1
33	HHXA-V25-0 thru -5	Outer Leg Assembly (2 speed)	1	
34	HHXA-V50-0 thru -5	Outer Leg Assembly (single speed)		1
35	Part of 35A	Drive Gear Shaft (single speed)		1
35A	HHRK-V-05801-1	Drive Gear Shaft Kit (single speed)		1
36	HHXA-V-1910	Cross Shaft (specify frame width, mounting style, i.g. model number)		1
37	HHXB-V-444-1	Hex Head Cap Screw 3/8"-16 x 1 3/4"	1	1
	HHXB-338	Locknut 3/8"-16	1	1
37A	HHXB-V-444-1	Hex Head Cap Screw 3/8"-16 x 1 3/4" (optional)	1	1
	HHXB-338	Locknut 3/8"-16 (optional)	1	1
38	HHXA-V-90-0	Crank Assembly	1	
39	HHXA-V-90-2	Extra Long Crank Assembly (optional)	1	
40	HHXA-V-971	Crankshaft Bracket (optional)	1	
41	HHXA-V-1914	Crank Hanger	1	
42	HHXB-V-1915	Crank Hanger (optional)	1	
	HHXA-V-1916	Extension Shaft - Long (optional)	1	
43	HHXA-V-1916-1	Extension Shaft - Short (optional)	1	
44	HHXA-V-630-2	Crankshaft Coupling (optional)	1	
	HHXB-H-332	Hex Head Bolt 3/8"-16 x 3"	1	
	HHXB-338	Locknut 3/8"-16	1	
45	HHXB-1108	SAE 3/8" Washer	2	
46	HHXA-V-1912-1	Extension Bracket – Long (optional)	1	
47	HHXA-V-1912-2	Extension Bracket – Short (optional)	1	
	HHXB-0140	Hex Head Cap Screw 1/4"-28 x 2 1/2" (optional)	3	
	HHXB-3103	Locknut 1/4"-28 (optional)	3	
48	HHXA-V-1938	Brace	1	1
49	HHXB-767	Lube Fitting	3	2
50	HHXB-H-32-2	Woodruff Key	1	1
51	HHXB-GP-38-138-5	Groove Pin 3/8" x 1 3/8" (optional)	2	

LANDING GEAR

Holland Mark V Model – New Design After May 1994



Holland Mark V Model Parts List – New Design After May 1994

Item No.	Stoughton Number	Description	2-Speed Side
1	HHXA-V-06625-A	Crankshaft	1
2	HHXA-V-06624-A	Drive Gear Shaft	1
3	HHXA-V-06618	Gearbox Cover	1
4	HHXB-06372	Thread Rolling Screw	8
5	HHXB-V-06621	Gearbox Gasket	1
6	HHXA-V-06602	Idler Gear	1
7	HHXA-V-07085	Idler Gear Shaft	1
8	HHXB-BAL-023-01	Ball	1
9	HHXB-SPG-020-02	Spring	1
10	HHXA-V-06604-1	Shifter Gear	1
11	HHXA-CRP-V-06633	Pin 1/4" x 1 7/16"	1
12	HHXB-21-S-218-1500	Spring Pin, 3/16" x 1 1/4"	1
13	HHXA-V-06606	Spur Gear	1
14	HHXA-V-06603	Step Gear	1
15	HHXA-CRP-V-06634	Pin 3/8" x 1 1/2"	1



LANDING GEAR

Holland Mark V Model Parts List – New Design After May 1994

Item No.	Stoughton Number	Description	2-Speed Side	Single Speed Side
16	HHXA-V-1910	Cross Shaft (specify frame width, mounting style, l.g. model no.)		1
17	HHXB-V-444-1	HHCS, 3/8"-16 x 1 3/4"	1	1
18	HHXB-338	Locknut, 3/8"-16	2	1
19	HHXA-V-06623-A	Bevel Gear Shaft (single-speed)		1
20	HHXB-06372	Thread Rolling Screw	2	2
21	HHXA-V-06611	Upper Leg Cover	1	1
22	HHXB-V-07054	Gasket	1	1
23	HHXB-GP-38-1-12E	Groove Pin	1	1
24	HHXA-V-06600	Bevel Pinion Gear	1	1
25	HHXB-01977	Shim (as required)	2	2
26	HHXA-V-06601	Bevel Gear	1	1
27	HHXA-V-06628-010-1 thru -515-1	Inner Leg and Screw Assembly (01 series)	1	1
28	HHXA-V-06628-020-2 thru -514-2	Inner Leg and Screw Assembly (14 series)	1	1
29	HHXA-V-06628-000-0 thru -505-0	Inner Leg and Screw Assembly (05, 13, or 15 series)	1	1
30	HHXA-CRP-V-06635	Pin, 3/8" x 2"	1	1
31	HHXB-V-06632	Washer	1	1
32	HHXB-V-06630	Bushing	1	1
33	HHXB-V-647	Thrust Bearing	1	1
34	HHXA-V-06629	Collar	1	1
35	HHXA-V-07133-0 thru -5	2-Speed Upper Leg	1	
36	HHXA-V-07132-0 thru -5	Single Speed Upper Leg		1
37	HHXB-V-747	Wheel	2	2
38A	HHXA-V-796-B-1	Skid Foot, 4 7/8" x 12" x 11 1/2" (05 series)	1	1
38B	HHXA-V-796-L	Low Profile Skid Foot, 2 1/2" x 12" x 11 1/2" (13 series)	1	1
38C	HHXA-V-796-WS	Weight Saver Skid Foot, 3" x 10" x 11 1/2" (15 series)	1	1
39A	HHXA-V-1901-1	Standard Axle	1	1
39B	HHXA-V-1903-1	Solid Axle	1	1
40	HHXA-V-1901-2	Axle (03 series)	1	1
41	HHXB-21S-3753000	Rollpin, 3/8" x 3"	2	2
42	HHXA-04681	Cushion Skid Foot (14 series)	1	1
43	HHXB-04676	Rubber Cushion	1	1
44	HHXA-V-1938	Brace Lug	1	1
45	HHXA-LG0559	Bearing	1	2
46	HHXB-LG1570	Retainer	1	2
47	HHXB-767	Lube Fitting	3	2
48	HHXB-01789	Plastic Plug	1	1
49	HHXA-V-1914	Crank Hanger	1	
50	HHXB-C-38-C-214	HHCS, 3/8"-16 x 2 1/4"	1	
51	HHXB-1108	SAE 3/8" Washer	2	
52A	HHXA-V-90-0	Crank	1	
52B	HHXA-V-90-2	Extra Long Crank (optional)	1	
53	HHXA-V-971	Crankshaft Bracket (optional)	1	
54	HHXB-V-1915	Crank Hanger (optional)	1	
55	HHXA-V-1916	Extension Shaft - Long (optional)	1	
55	HHXA-V-1916-1	Extension Shaft - Short (optional)	1	
56	HHXA-V-630-2	Crankshaft Coupling (optional)	1	
57	HHXB-V-444-1	HHCS, 3/8"-16 x 1 3/4"	2	
58	HHXB-338	Locknut, HHCS, 3/8"-16 (optional)	2	
59	HHXB-GP-38-138-5	Groove Pin, 3/8" x 1 3/8"	2	
60	HHXB-3103	Locknut, 1/4"- 28 (optional)	3	
61	HHXB-07618	HHCS, 1/4"-28 x 2 1/2"	3	
62	HHXA-V-07601-1	Extension Bracket - Long (optional)	1	
63	HHXA-V-07601-2	Extension Bracket - Short (optional)	1	

Holland Landing Gear Ordering Information

Step 1 – Model Number

Description	Model
* L.G. Set	LGS
1 Speed Side	XA-S9
2 Speed Side	XA-S8

Step 2 – Select Travel and Mounting

Travel	Code
12.5"	0
13.5"	1
15.0"	2
16.5"	3
17.6"	4
18.7"	5

Mounting	Code
Universal	A
Inside	B
Outside	C
**Outside	D

Step 2 – Select Axle and Footware

Axel Type	Code
No Axle	0

Footware	Code	Dimensions
Self Leveler	01	12" Diameter

Axel Type	Code
Standard Pipe	1
Heavy Pipe	2
Solid	3

Footware	Code	Dimensions
Wheeled	03	9" Diameter
Std. Skid Foot	05	4.9" x 12" x 11.5"
Large Skid Foot	08	5.0" x 14" x 19"
Wheel & Skid Foot	09	3.8" x 16" x 11.5"
No Footware	10	
Low Profile Skid Foot	13	2.5" x 12" x 11.5"
Cushioned Foot	14	2.4" x 10" x 11.5"
Weight Saver Skid Foot	15	3.8" x 10" x 11.5"

* Landing gear set includes: cross shaft **XA-S-1910**, crank **XA-S-90-0**, crank hanger **XA-S-1914**, brace ears (2 req.) **XA-S-1938**, cross shaft and crank hardware.

** With extra long drive shafts, 4.5" on both single and 2-speed legs compared to standard 1.75" on 2-speed and 2.5" on single speed.

Order Example

Step 1

Model Number

LGS

Step 2

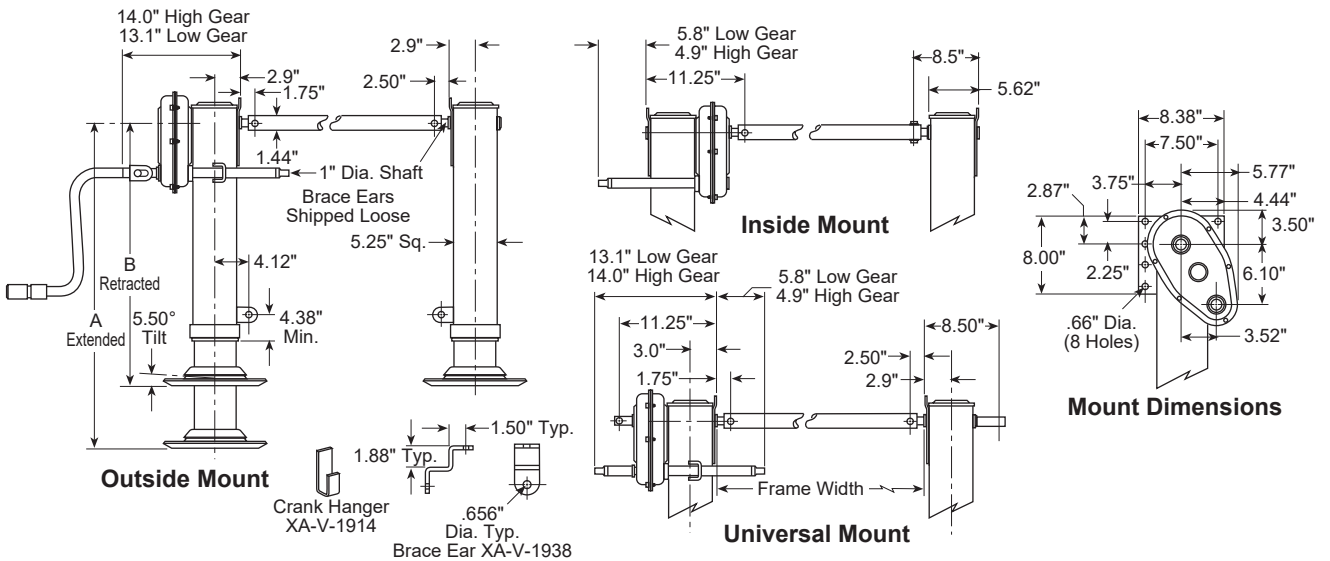
Travel Code + Mounting Code

3A

Step 3

Axle Type + Footware Code

105



Landing Gear Dimensions

Travel	Self-Leveler		Standard Skid		Low Profile		Weight Saver Skid*		Cushioned Skid**	
	A	B	A	B	A	B	A	B	A	B
12.5"	37.0"	24.5"	37.8"	28.4"	35.4"	26.0"	36.7"	27.3"	36.2"	24.7"
13.5"	41.8"	28.3"	42.6"	29.1"	40.2"	26.7"	41.5"	28.0"	42.2"	28.7"
15.0"	44.8"	29.8"	45.6"	30.6"	43.2"	28.2"	44.5"	29.5"	45.2"	30.2"
16.5"	47.8"	31.3"	48.6"	32.1"	46.2"	29.7"	47.5"	31.0"	48.2"	31.7"
17.6"	50.0"	32.4"	50.8"	33.2"	48.4"	30.8"	49.7"	32.1"	50.4"	32.8"
18.7"	52.3"	33.6"	53.1"	34.4"	50.7"	32.0"	52.0"	33.3"	52.7"	34.0"

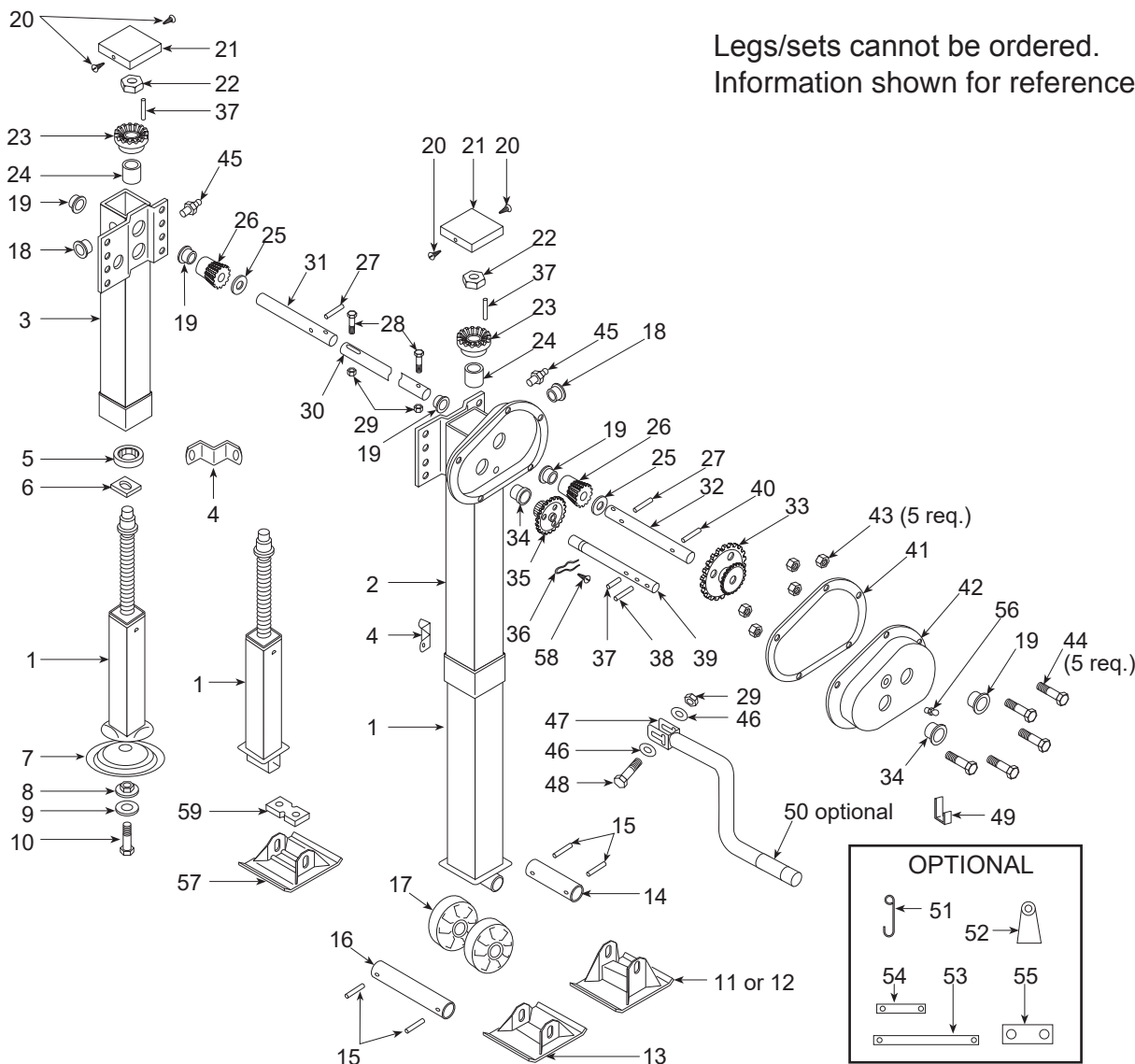
* Travel code "0" is 9.4"

** Travel code "0" is 11.5"

LANDING GEAR

Holland Olympix 135 Model

Legs/sets cannot be ordered.
Information shown for reference only.



Parts List Chart A

Item No.	Stoughton Number	Description
1	HHXA-01787-2	Inner Leg & Screw Assy, 16" Travel
	HHXA-01976-1	Self-leveler
	HHXA-01976-1	Axle Type
	HHXA-01976-1	4 1/2" Skid Foot
	HHXA-04745-1	1 3/4" Skid Foot
	HHXA-01787-3	Inner Leg & Screw Assy, 18 1/2" Travel
	HHXA-01976-4	Self-leveler
	HHXA-01976-4	Axle Type
	HHXA-01976-4	4 1/2" Skid Foot
	HHXA-04745-2	2 3/8" Skid Foot

Parts List Chart B

Item No.	Stoughton Number	Description
31	HHXA-01970-1	Single Speed Drive Shaft
	HHXA-02654-1	Universal Mount
	HHXA-01765-1	Inside Mount
	HHXA-02662-1	Outside Mount, Extra-long
32	HHXA-01971-1	2-Speed Drive Shaft
	HHXA-01966-1	Universal Mount
	HHXA-01764-1	Inside Mount
	HHXA-02660-1	Outside Mount, Extra-long
39	HHXA-01972-2	Crank Shaft
	HHXA-01967-1	Universal Mount
	HHXA-01763-2	Inside Mount
	HHXA-01763-2	Outside Mount
	HHXA-01763-2	Outside Mount, Extra-long



LANDING GEAR

Holland Olympix 135 Model Parts List

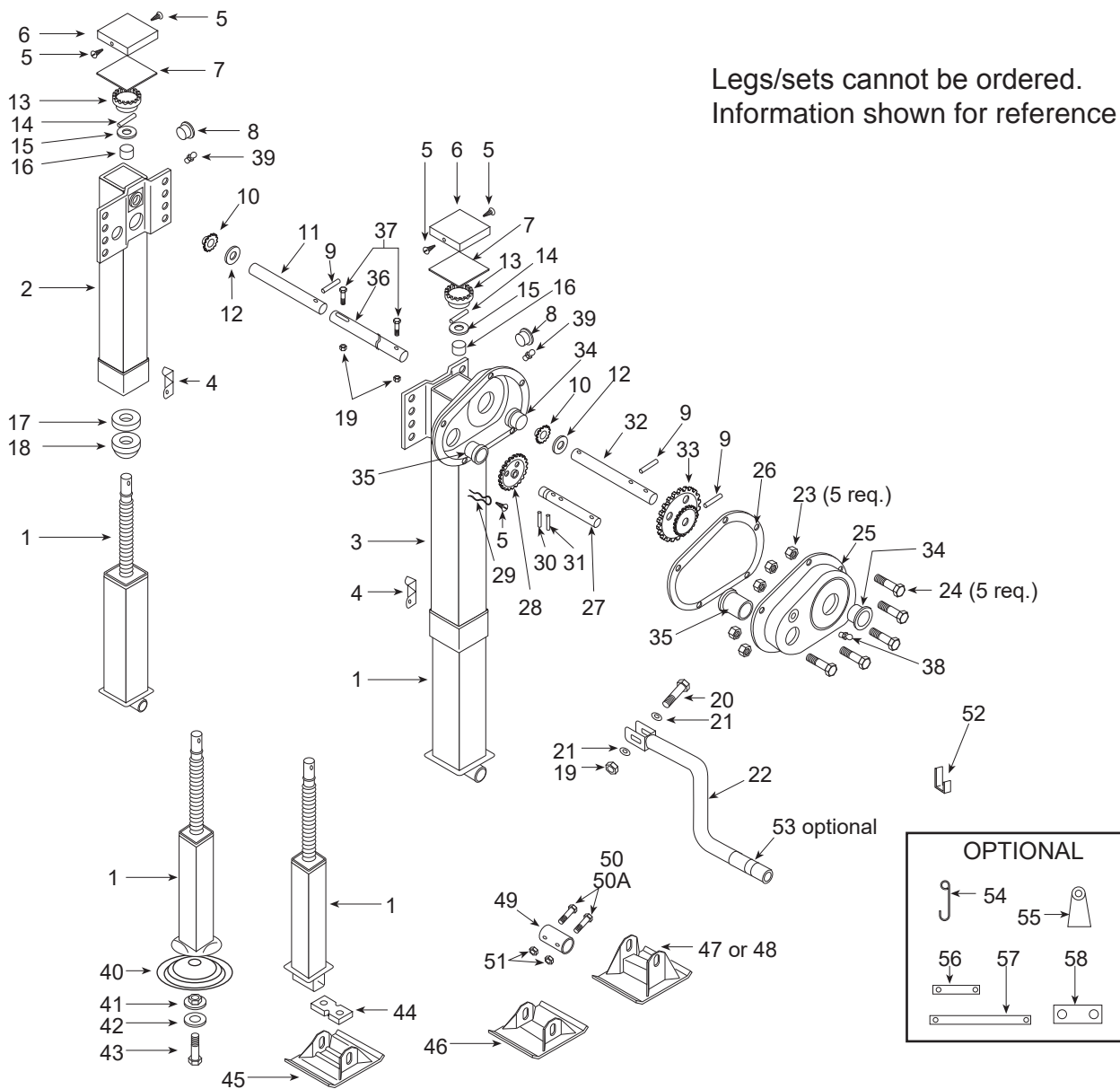
Item No.	Stoughton Number	Description	Quantity
1	See Chart A	Inner Leg and Screw Assembly	2
2	HHXA-04171-1	2-Speed Outer Leg, Inside Mount, 16" Travel	1
	HHXA-04171-2	2-Speed Outer Leg, Inside Mount, 18 1/2" Travel	1
3	HHXA-04170-1	Single Speed Outer Leg, Inside Mount, 16" Travel	1
	HHXA-04170-2	Single Speed Outer Leg, Inside Mount, 18 1/2" Travel	1
4	BKLG0266	Brace Ear	2
5	HHXB-V-647	Thrust Bearing	2
6	HHXA-V-1913	Thrust Washer	2
7	HHXA-02709	Self Leveling Foot	2*
8	HHXA-01774	Pivot Guide	2*
9	HHXB-T-45-1	1/2" Lock Washer	2*
10	HHXB-01987	1/2"-13 x 1 3/4" HHCS	2*
11	HHXA-03337	Skid Foot (4 1/2" high) Light Duty	2*
12	HHXA-02689	Skid Foot (4 1/2" high) Standard Duty	2*
13	HHXA-02691	Skid Foot (1 3/4" high)	2*
14	HHXA-V-1901-1	Axle (skid foot models)	2*
15	HHXB-21S-3753000	Roll Pin 5/8" x 3"	4*
16	HHXA-V-1901-2	Axle (wheel models)	2
17	HHXB-V-747	Wheel (3 1/2" x 9")	2
18	HHXB-01789	Access Plug	2
19	HHXB-0307-PM	Bearing (1" Diameter)	5
20	HHXB-03372	Self Tapping Screw	4
21	HHXB-01762	Upper Leg Cover	2
22	HHXB-FW-25	Jam Locknut 1"-14	2
23	HHXA-02059	Bevel Gear	2
24	HHXB-01744	Bushing	2
25	HHXB-01977	Shims	
26	HHXA-0298	Bevel Pinion	2
27	HHXB-GP-38-1-14A	Groove Pin	2
28	HHXB-V-444-1	3/8"-16 x 1 1/4" HHCS	2
29	HHXB-338	3/8"-16 Locknut	3
30	HHXA-V-1910	Cross Shaft	1
31	See Chart B	Single Speed Drive Shaft	1
32	See Chart B	2-Speed Drive Shaft	1
33	HHLG1823-01	Drive Cluster Gear (1" bore)	1
34	HHXB-0308-PM	Bearing (7/8" diameter)	2
35	HHXA-0306-1	Drive Cluster Gear (7/8" bore)	1
36	HHXB-03370-1	Shifter Spring	1
37	HHXB-21S187-1000	Roll Pin 3/16" x 1"	1
38	HHXA-01792	Pin	1
39	See Chart B	Crank Shaft	1
40	HHXB-02065	Groove Pin	1
41	HHXB-01791	Gear Box Cover Gasket	1
42	HHXA-03921-1	Gear Box Cover	1
43	HHXB-3103	1/4"-28 Locknut	5
44	HHXB-CX14-18F-58	1/4"-28 x 5/8" HHCS	5
45	HHXA-H-38	Grease Fitting	2
46	HHXB-1108	3/8" Flat Washer	1
47	HHXA-01918	Tubular Crank Handle Assembly	1
48	HHXB-02157	3/8"-16 x 2 1/2" HHCS	1
49	HHXA-V-1914	Crank Holder	1
50	HHXA-01918-1	Extra Long Crank (optional)	1
51	HHXB-V-1915	Crank Hanger (optional)	1
52	HHXA-02195	Extension Bracket (optional)	1
53	HHXA-02198-1	Long Extension Shaft (optional)	1
54	HHXA-02198-2	Short Extension Shaft (optional)	1
55	HHXA-02197	Coupling (optional)	1
56	HHXB-04113	Lube Fitting	1
57	HHXA-04681	2 3/8" Cushion Foot	2*
58	HHXB-04112	Self Tapping Screw	1
59	HHXB-04676	Cushion Pad	2*

* If applicable

LANDING GEAR

Holland Formula 150 Model

Legs/sets cannot be ordered.
Information shown for reference only.



Parts List Chart A

Item No.	Stoughton Number	Description
1	HHXA-01787-2 HHXA-01976-1 HHXA-01976-1 HHXA-01976-1 HHXA-04745-1	Inner Leg & Screw Assy, 16" Travel
		Self-leveler
		Axle Type
		4 1/2" Skid Foot
		1 3/4" Skid Foot
	HHXA-01787-3 HHXA-01976-4 HHXA-01976-4 HHXA-01976-4 HHXA-04745-2	Inner Leg & Screw Assy, 18 1/2" Travel
		Self-leveler
		Axle Type
		4 1/2" Skid Foot
		2 3/8" Skid Foot

Parts List Chart B

Item No.	Stoughton Number	Description
31	HHXA-01970-1 HHXA-02654-1 HHXA-01765-1 HHXA-02662-1	Single Speed Drive Shaft
		Universal Mount
		Inside Mount
		Outside Mount, Extra-long
32	HHXA-01971-1 HHXA-01966-1 HHXA-01764-1 HHXA-02660-1	2-Speed Drive Shaft
		Universal Mount
		Inside Mount
		Outside Mount, Extra-long
39	HHXA-01972-2 HHXA-01967-1 HHXA-01763-2 HHXA-01763-2	Crank Shaft
		Universal Mount
		Inside Mount
		Outside Mount, Extra-long



LANDING GEAR

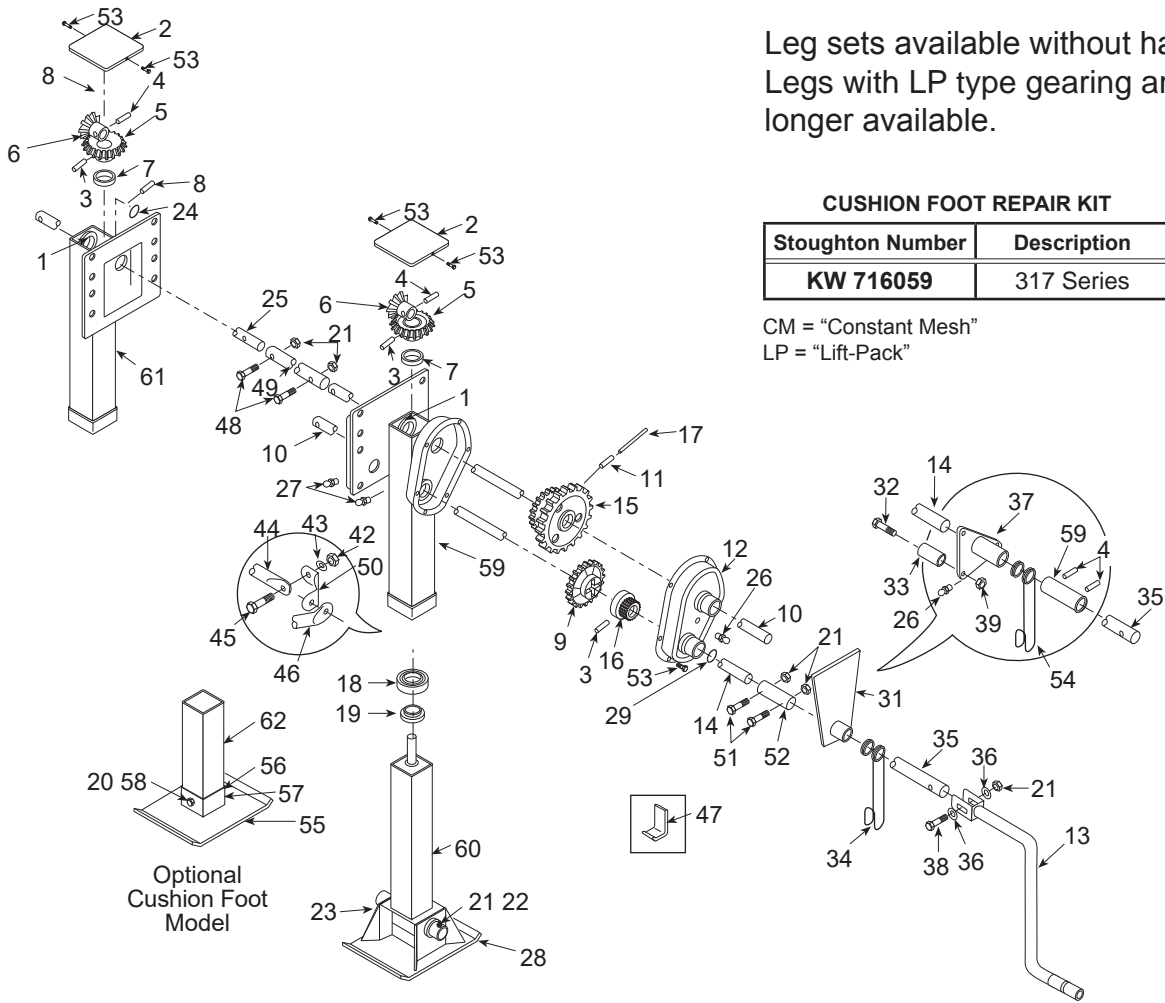
Holland Formula 150 Model Parts List

Item No.	Stoughton Number	Description	Quantity
1	See Chart A	Inner Leg and Screw Assembly	2
2	HHXA-04170-1	Single Speed Outer Leg, Inside Mount, 16" Travel	1
3	HHXA-04170-2	Single Speed Outer Leg, Inside Mount, 18 1/2" Travel	1
	HHXA-04171-1	2-Speed Outer Leg, Inside Mount, 16" Travel	1
	HHXA-04171-2	2-Speed Outer Leg, Inside Mount, 18 1/2" Travel	1
4	BKLG0266	Brace Ear	2
5	HHXB-04112	Self Tapping Screws	5
6	HHXA-LG0880	Upper Leg Cover	2
7	HHXB-06219	Leg Cover Gasket	2
8	HHXB-01789	Access Plug	2
9	HHXB-02065	3/8" x 1 1/2" Groove Pin	3
10	HHXB-06217	Bevel Pinion Gear	2
11	See Chart B	Single Speed Drive Shaft	1
12	HHXB-01977	Shims	
13	HHXA-LG0570	Bevel Gear	2
14	HHXB-GP-38-2-E	3/8" x 2" Groove Pin	2
15	HHXB-PW-1916-218	Washer	2
16	HHXB-01744-1	Bushing	2
17	HHXB-V-647-2	Thrust Bearing	2
18	HHXB-LG0544	Collar	2
19	HHXB-338	3/8"-16 Locknut	3
20	HHXB-02157	3/8"-16 x 2 1/2" Hex Head Bolt	1
21	HHXB-1108	3/8" Flat Washer	2
22	HHXA-01918	Crank Handle Assembly	1
23	HHXB-3103	1/4"-28 Locknut	5
24	HHXB-CX14-28F-58	1/4"-28 x 5/8" Hex Head Bolt	5
25	HHXA-06224-A	Gear Box Cover	1
26	HHXB-01791	Gear Box Cover Gasket	1
27	See Chart B	Crank Shaft	1
28	HHXA-0306-1	Drive Cluster Gear (7/8" bore)	1
29	HHXB-03370-1	Shifter Spring	1
30	HHXB-21S187-1000	Roll Pin 3/16" x 1"	1
31	HHXA-01792	Pin	1
32	See Chart B	2-Speed Drive Shaft	1
33	HHLG2191-01	Drive Cluster Gear (1" bore)	1
34	HHXB-0307-PM	Bearing (1" diameter)	2
35	HHXB-0308-PM	Bearing (7/8" diameter)	2
36	HHXA-V-1910	Cross Shaft	1
37	HHXB-V-444-1	3/8"-16 x 1 3/4" Hex Head Bolt	2
38	HHXB-04133	Lube Fitting	1
39	HHXB-767	Lube Fitting	2
40	HHXA-02709	Self Leveling Foot	2*
41	HHXA-01774	Pivot Guide	2*
42	HHXB-T-45-1	1/2" Lock Washer	2*
43	HHXB-01987	1/2"-13 x 1 3/4" Hex Head Bolt	2*
44	HHXB-04676	Cushion Pad	2*
45	HHXA-04681	2 3/8" Cushion Foot	2*
46	HHXA-02691	Skid Foot (1 3/4" high)	2*
47	HHXA-03337	Skid Foot (4 1/2" high) Light Duty	2*
48	HHXA-02689	Skid Foot (4 1/2" high) Standard Duty	2*
49	HHXA-V-1901-1	Axle	2*
50		3/8"-16 x 3/4" Hex Head Bolt	4
50A		3/8"-16 x 2 1/2" Hex Head Bolt	4
51		3/8"-16 Hex Nut	4
52	HHXA-V-1914	Crank Holder	1
53	HHXA-01918-1	Extra Long Crank (optional)	1
54	HHXB-V-1915	Crank Hanger	1
55	HHXA-02195	Extension Bracket (optional)	1
56	HHXA-02198-2	Short Extension Shaft (optional)	1
57	HHXA-02198-1	Long Extension Shaft (optional)	1
58	HHXA-02197	Coupling	1

* If applicable

LANDING GEAR

Kysor/Westran Model CMS (Square Leg)



Leg sets available without hardware.
 Legs with LP type gearing are no longer available.

CUSHION FOOT REPAIR KIT

Stoughton Number	Description
KW 716059	317 Series

CM = "Constant Mesh"
 LP = "Lift-Pack"

CONSTANT MESH SQUARE WITH STANDARD SAND SHOE

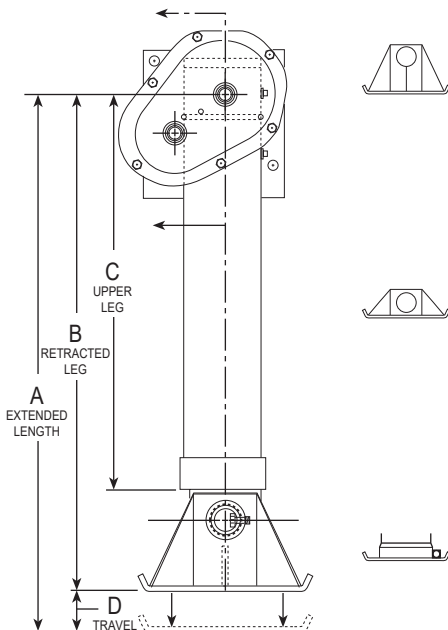
Stoughton Number	Dimensions				Austin Set Number
	A	B	C	D	
KWCMS 2-10-102-444	42.87	28.75	22.75	14.12	785077
KWCMS 2-30-102-444	48.37	31.50	25.50	16.87	785078
KWCMS 2-50-102-444	52.87	33.75	27.75	19.12	785079

CONSTANT MESH SQUARE WITH LOW PROFILE SAND SHOE

Stoughton Number	Dimensions				Austin Set Number
	A	B	C	D	
KWCMS 2-10-102-400	40.37	26.25	22.75	14.12	785080
KWCMS 2-30-102-400	45.87	29.00	25.50	16.87	785100
KWCMS 2-50-102-400	50.37	31.25	27.75	19.12	785082

CONSTANT MESH SQUARE WITH 10" REMOVABLE CUSHION FOOT

Stoughton Number	Dimensions				Austin Set Number
	A	B	C	D	
KWCMS 2-10-102-316	.12	29.00	25.50	14.12	785083
KWCMS 2-30-102-316	48.62	31.75	28.31	16.87	785084
KWCMS 2-50-102-316	53.12	34.00	30.56	19.12	785085
KWCMS-2-33-317	48.62	31.75	28.31	16.87	-





LANDING GEAR

Kysor/Westran Model CMS (Square Leg) Parts List

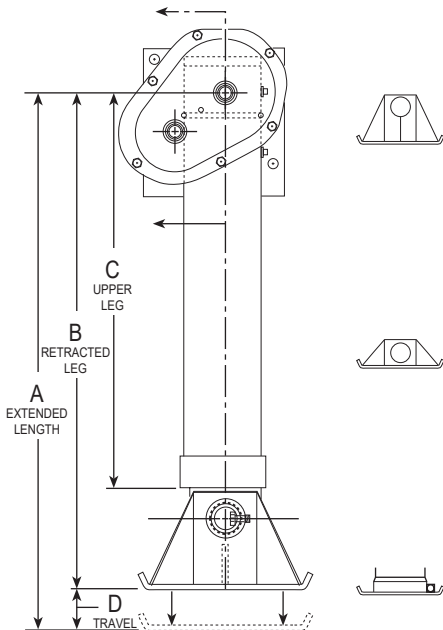
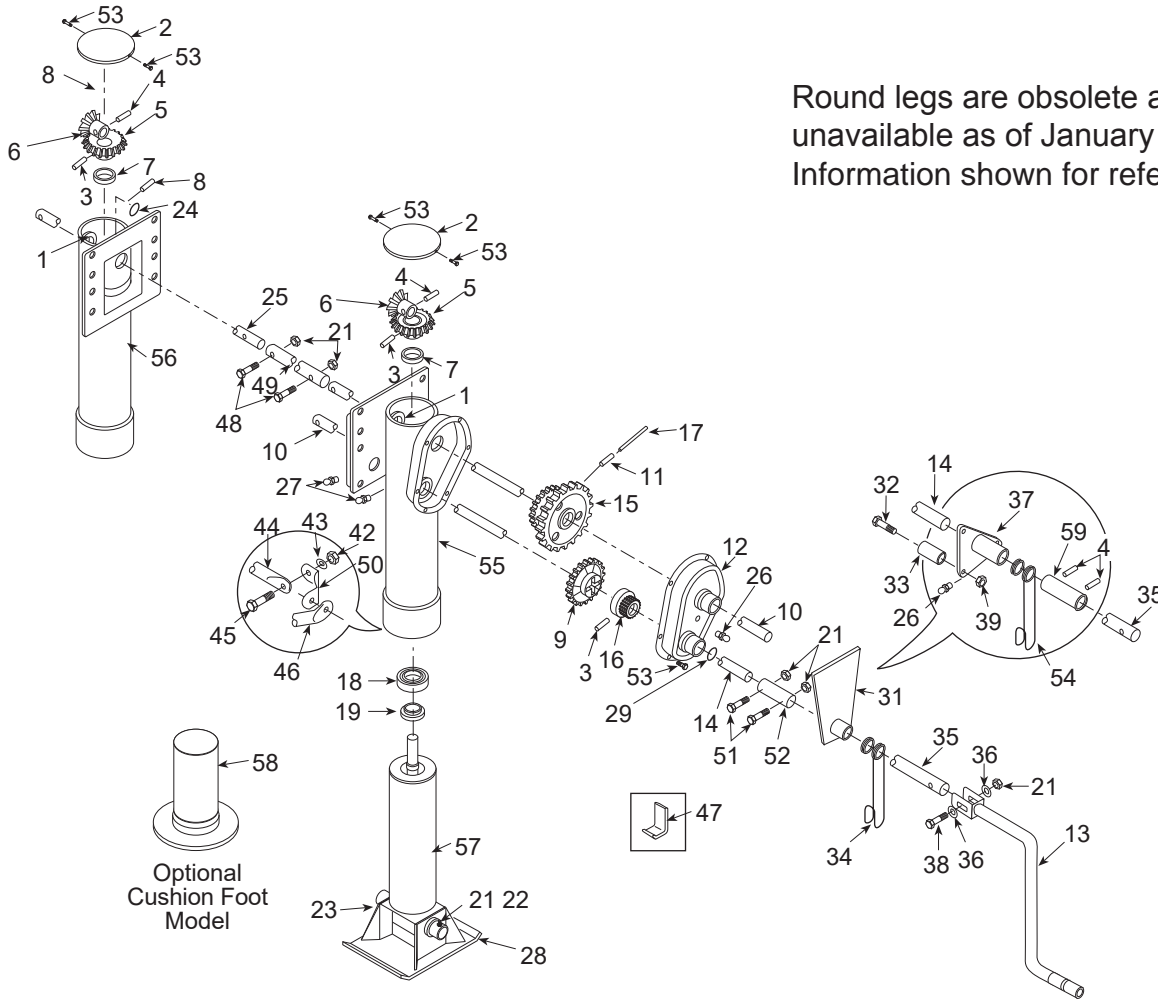
Item No.	Stoughton Number	Description	Quantity
1	KW724037	Bushing	3
2	KW751569	Cover	2
3	KW725046	Groove Pin 5/16" x 1 1/2"	3
4	KW725002	Roll Pin 3/8" x 1 3/8"	4
5	KW730590	Bevel Gear 28T	2
6	KW730011	Pinion-Bevel 14T	2
7	KW722017	Bushing Screw	2
8	KW725001	Roll Pin 1/4" x 1 1/4"	1
9	KW751174	Gear, High Speed	1
10	KW750002	Shaft Pinion	1
11	KW725003	Roll Pin 3/8" x 1 1/2"	1
12	KW741158	Cover Assembly	1
13	KW730113	Crank	1
14	KW750003	Shaft-Crank	1
	KW750238	Shaft Plated for Permanent Lube	1
15	KWJ-5309	Gear Set, Rigid 26/51T	1
16	KW751173	Gear, Low Speed	1
17	KW729002	Spring Clip	1
18	KW729005	Bearing T127	2
19	KW730007	Collar	2
20	KW203878	Nut, Lock 5/8"-11 (Optional)	2
21	KW203514	Nut, Lock 3/8"-16	5
22	KW201226	Bolt 3/8"-16 x 3/4"	2
23	KW750005	Axle – For Sand Shoes	2
24	KW722000	Washer	1
25	TC905700-602	Shaft (Pinion)	1
26	KW727001	Grease Fitting	1
27	KW727000	Grease Fitting	4
28	KW730143	Sand Shoe	2
29	KW728000	Seal	1
30	KW730152	Crankshaft Bracket Assembly (F.W. Under 54)	1
31	KW727002	Grease Fitting	1
32	KW201031	Bolt 1/4"-20 x 2 1/4"	3
33	KW724010	Spacer	3
34	KW730122	Crank Holder	1
35	KW750212	Shaft-Crank-Extension	1
36	KW202403	Washer 3/8" Plain Heavy	2
37	KW716007	Crank Bracket Assembly	1
	KW716008	Crank Bracket Assembly	1
38	KW201209	Bolt – Hex Head 3/8"-16 x 2 3/4"	1
39	KW203305	Locknut 1/4"-20	3
42	KW203878	Hex Nut 5/8"-11	8
43	KW202745	Washer	8
44	KWJ-7043-A-B	Brace Tube (Cross)	2
45	KW721009	Bolt – Hex Head 5/8"-11 x 2"	8
46	KWJ-7043-A-B	Brace Tube (Back)	2
47	KW750812	Crank Holder	1
48	KW201208	Bolt – Hex Head 3/8"-16 x 2 1/2"	2
49	KW6883	Intermediate Shaft ("A" Mount)	1
	KW6884	Intermediate Shaft ("B" Mount)	1
50	KW730157	Brace Ear	2
51	KW201218	Bolt – Hex Head 3/8"-16 x 1 3/4"	2
52	KW730092	Coupling	1
53	KW201060	Screw – Hex Washer Head 1/4"-20 x 1 1/2"	10
54	KW730166	Crank Holder	1
55	KW728003	Weldment, Cushion Foot (Optional)	2
56	KW730638	End Plate (Optional)	2
57	KW730640	Shock Pad (Optional)	2
58	KW201702	Bolt 5/8"-11 x 6" (Optional)	2
59	KW751566	Upper Leg (2 Speed Square) 25-7/16" Length	1
60	KW742111	Lower Leg Assy. (Square) Std. Lube for Axle Foot Group	1
61	KW751564	Upper Leg (1 Speed Square) 22-1/16" Length	2
62	KW742139	Lower Leg Assy. – Std. Lube for Cushion Foot (Rem)	2

Note: Numbers may change or become obsolete without notice. Kysor/Westran (Austin) rights now property of SAF Holland.

LANDING GEAR

Kysor/Westran Model CMR (Round Leg)

Round legs are obsolete and unavailable as of January 1, 2009. Information shown for reference only.



ROUND WITH STANDARD SAND SHOE

Stoughton Number	Dimensions				Set Number
	A	B	C	D	
KWLPR 2-10-102-444	42.87	28.75	22.75	14.12	795091
KWLPR 2-30-102-444	48.37	31.50	25.50	16.87	795118
KWLPR 2-50-102-444	52.87	33.75	27.75	19.12	795132

ROUND WITH LOW PROFILE SAND SHOE

Stoughton Number	Dimensions				Set Number
	A	B	C	D	
KWLPR 2-10-102-400	40.37	26.25	22.75	14.12	795135
KWLPR 2-30-102-400	45.87	29.00	25.50	16.87	795095
KWLPR 2-50-102-400	50.37	31.25	27.75	19.12	795096

ROUND WITH 10" REMOVABLE CUSHION FOOT

Stoughton Number	Dimensions				Set Number
	A	B	C	D	
KWLPR 2-10-102-305	42.69	28.56	26.25	14.12	795097
KWLPR 2-30-102-305	48.19	31.31	29.00	16.87	795098
KWLPR 2-50-102-305	52.56	33.44	31.25	19.12	795099



LANDING GEAR

Kysor/Westran Model CMR (Round Leg) Parts List

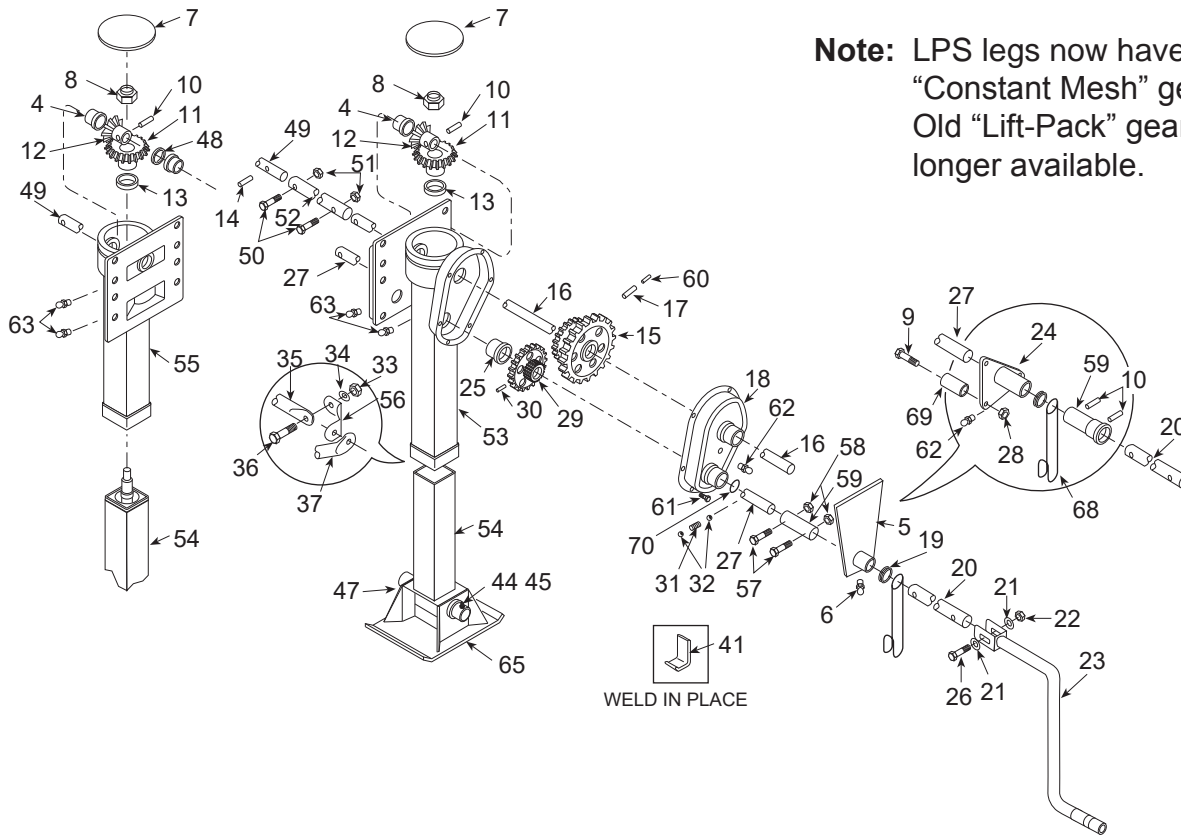
Item No.	Stoughton Number	Description	Quantity
1	KW724036	Bushing	3
2	KW751601	Cover	2
3	KW725046	Groove Pin $\frac{5}{16}$ " x 1 $\frac{1}{2}$ "	3
4	KW725002	Roll Pin $\frac{3}{8}$ " x 1 $\frac{3}{8}$ "	4
5	KW730590	Bevel Gear 28T	2
6	KW730011	Pinion-Bevel 14T	2
7	KW722017	Washer	2
8	KW725001	Roll Pin $\frac{1}{4}$ " x 1 $\frac{1}{4}$ "	1
9	KW751174	Gear, High Speed	1
10	KW750002	Shaft Pinion	1
11	KW725003	Roll Pin $\frac{3}{8}$ " x 1 $\frac{1}{2}$ "	1
12	KW751601	Cover Assembly – Pre 1996	1
	KW8984	Cover Assembly - After 1996	1
13	KW730113	Crank	1
14	KW751175	Shaft-Crank	1
	KW751226	Shaft Plated for Permanent Lube	1
15	KWJ-5309	Gear Set, Rigid 26/51T	1
16	KW751173	Gear, Low Speed	1
17	KW729002	Spring Clip	1
18	KW729005	Bearing T127	2
	KW729016	Bearing T151 for H/D Applications	2
19	KW730007	Collar	2
	KW730215	Collar for H/D Applications	2
21	KW203514	Nut, Lock $\frac{3}{8}$ "-16	7
22	KW201226	Bolt $\frac{3}{8}$ "-16 x $\frac{3}{4}$ "	2
23	KW730005	Axle - For Sand Shoes	2
24	KW722000	Washer	1
25	TC905700-602	Shaft (Pinion)	1
26	KW727001	Grease Fitting	1
27	KW727000	Grease Fitting	4
28	KW730143	Sand Shoe	2
29	KW728000	Seal	1
30	KW730152	Crankshaft Bracket Assembly (F.W. Under 54)	1
31	KW727002	Grease Fitting	1
32	KW201031	Bolt $\frac{1}{4}$ "-20 x 2 $\frac{1}{4}$ "	3
33	KW724010	Spacer	3
34	KW730122	Crank Holder	1
35	KW750212	Shaft-Crank – Extension	1
36	KW202403	Washer $\frac{3}{8}$ " Plain Heavy	2
37	KW716007	Crank Bracket Assembly	1
	KW716008	Crank Bracket Assembly	1
38	KW201209	Bolt – Hex Head $\frac{3}{8}$ "-16 x 2 $\frac{3}{4}$ "	1
39	KW203305	Locknut $\frac{1}{4}$ "-20	3
42	KW203878	Hex Nut $\frac{5}{8}$ "-11	8
43	KW202745	Washer	8
44	KWJ-7043-A-B	Brace Tube (Cross)	2
45	KW721009	Bolt – Hex Head $\frac{5}{8}$ "-11 x 2"	8
46	KWJ-7043-A-B	Brace Tube (Back)	2
47	KW750812	Crank Holder	1
48	KW201208	Bolt – Hex Head $\frac{3}{8}$ "-16 x 2 $\frac{1}{2}$ "	2
49	KW6883	Intermediate Shaft ("A" Mount)	1
50	KW6884	Intermediate Shaft ("B" Mount)	1
	KW730005	Brace Ear (For Round Leg)	2
	KW730157	Brace Ear (For Square Leg Not Shown)	2
51	KW201218	Bolt – Hex Head $\frac{3}{8}$ "-16 x 1 $\frac{3}{4}$ "	2
52	KW730092	Coupling	1
53	KW201060	Screw – Hex Washer Head $\frac{1}{4}$ "-20 x $\frac{1}{2}$ "	10
54	KW730166	Crank Holder	1
55	KW751562	Upper Leg Weldment (2 Speed) 25-7/16" Length (-3)	1
56	KW751560	Upper Leg Weldment (1 Speed) 26-7/16" Length (-3)	1
57	KW742110	Lower Leg Assembly (Round) (-3)	2
58	KW742126	Lower Leg Assembly – With Cushion Foot (Std. Lube) (-3)	2

Note: Numbers may change or become obsolete without notice.

LANDING GEAR

Kysor/Westran Model LPS (Square Leg)

Note: LPS legs now have "Constant Mesh" gearing. Old "Lift-Pack" gearing no longer available.



HIGH PROFILE SAND SHOE

Stoughton Number	Description
KWLPS-2-30-444	Complete Set
KW18-30-444-102	Non-Gear Leg Only
KW8-30-444-102	Gearside Leg Only

Parts List Chart A

Item No.	Stoughton Number	Description	Quantity
53	KW9645-1 KW9645-3 KW9645-5	Upper Leg (2-Speed Square). Length: 22 1/16" Upper Leg (2-Speed Square). Length: 24 3/16" Upper Leg (2-Speed Square). Length: 27 1/16"	
54	KW9958-1 KW9958-3 KW9958-5	Lower Leg Assy. (Square). Std Lube for Axle Group Lower Leg Assy. (Square). Std Lube for Axle Group Lower Leg Assy. (Square). Std Lube for Axle Group	2
55	KW9021-1 KW9021-3 KW9021-5	Upper Leg (Single Speed Square). Length: 22 1/16" Upper Leg (Single Speed Square). Length: 24 3/16" Upper Leg (Single Speed Square). Length: 27 1/16"	
64	KW9966-1 KW9966-3 KW9966-5	Lower Leg Assy. - Std. Lube for Cushion Feet Lower Leg Assy. - Std. Lube for Cushion Feet Lower Leg Assy. - Std. Lube for Cushion Feet	

LANDING GEAR

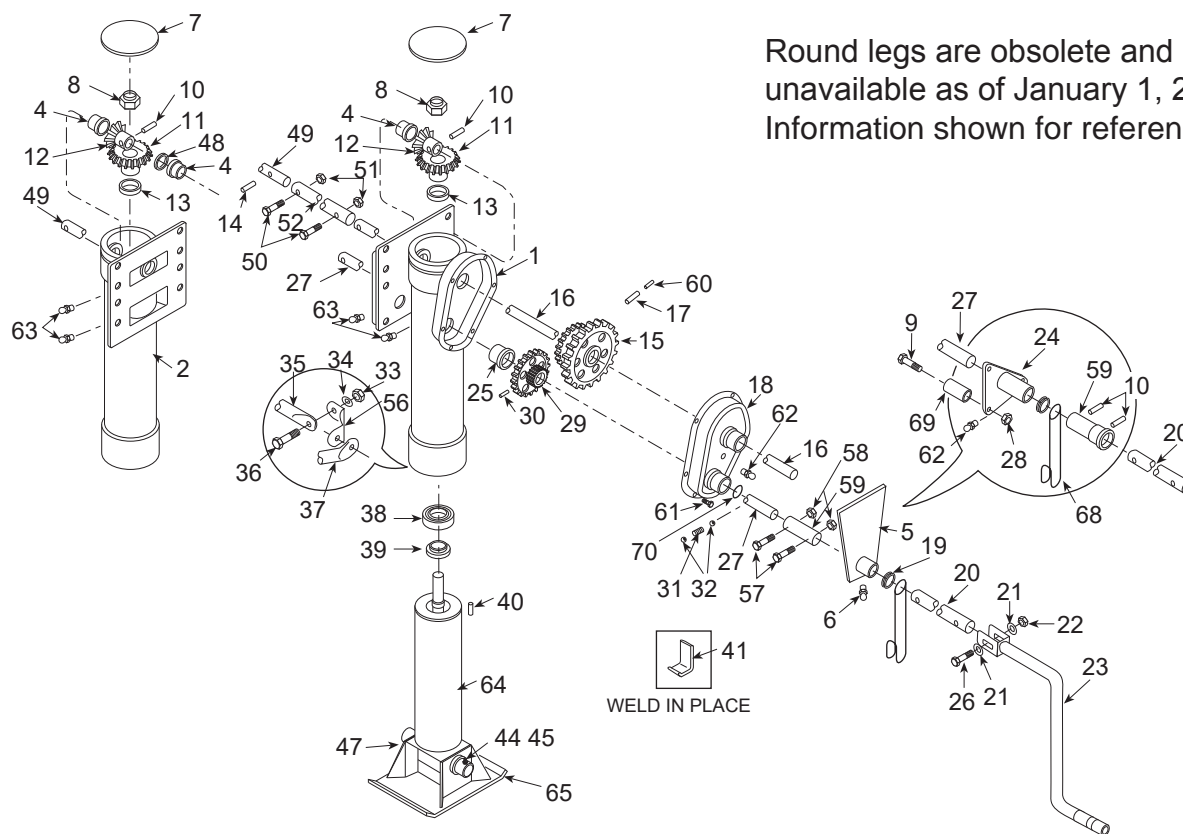
Kysor/Westran Model LPS (Square Leg) Parts List

Item No.	Stoughton Number	Description	Quantity
4	KW8994	Bushing	3
5	KWJ-4702	Crankshaft Bracket Assembly F.W. under 54	1
6	KW1351-A1	Grease Fitting	1
7	KW8984	Cover	2
8	KW1402-A7	1"-14 Thin Locknut	2
9	KW1151-B99	1/4"-20 x 2 1/4" Bolt GR. 8	3
10	KW1453-A40	Roll Pin 1/4" x 1 1/4"	4
11	KWJ-5312-1	Bevel Gear 28T	2
12	KWJ-5311-1	Pinion Bevel 14 Tooth	2
13	KWJ-5313	Bushing Screw	2
14	KW1453-A1	Roll Pin 3/8" x 1 1/4"	1
15	KWJ-5309	Gear Set Rigid 26/51 T.	1
16	KW6948-1	Shaft Pinion	1
17	KW1453-A5	Roll Pin 3/8" x 1 1/2"	1
18	KW9366-3	Cover Assembly	1
19	KWJ-122-B	Crank Holder	1
20	KW8829-17	Shaft-Crank Extension	1
21	KW1751-A1	3/8" Plain Heavy Washer	2
22	KW1402-A-1	3/8"-16 Locknut	1
23	KWJ-27-BX-3	Crank	1
24	KW9374-1	Crank Bracket Assembly	1
25	KW6364-1	Bushing	1
26	KW1151-B81	3/8"-16 x 2 3/4" Hex Head Bolt	1
27	TC905700-601 KW6943-3	Shaft-Crank Shaft Plated for Groups 2 and 4 Lube	1
28	KW1402-A9	1/4"-20 Locknut	3
29	KWJ-5310-1	Gear Set 37/12 T	1
30	KW1453-A61	Roll Pin	1
31	KW6365-1	Spring-Detent	1
32	KW1051-A1	Ball-Detent	2
33	KW1401-A4	5/8"-11 Hex Nut	8
34	KW1752-A4	Washer	8
35	KWJ-7043-A-B	Brace Tube (Cross)	2
36	KW1151-B17	5/8"-11 x 2" Hex Head Bolt	8
37	KWJ-7043-A-B	Brace Tube (Back)	2
38	KW1102-A2	Bearing T127	2
39	KW1102-A9	Bearing T151 for H/D Application	2
40	KWJ-4928-1	Collar	2
40	KWJ-5321	Collar for H/D Applications	2
40	KWJ-3237	1/4" x 13/16" Key	2
41	KWJ-7153	Crank Holder	1
42	KWJ-7324	Wheel (3 1/2" x 9")	4
44	KW1402-A1	3/8"-16 Locknut	2
45	KW1151-B36	3/8"-16 x 1" Bolt	2
46	KW9298-2	Axle (wheel models)	2
47	KW9298-1	Axle (sand shoe models)	2
48	KWJ-1219	Washer	1
49	KW6956-1	Shaft (Pinion)	1
50	KW1151-B4	3/8"-16 x 2 1/2" Hex Head Bolt	2
51	KW1402-A-1	3/8"-16 Locknut	2
52	KW6883	Intermediate Shaft ("A" Mount)	1
53	KW6884	Intermediate Shaft ("B" Mount)	1
54	See Chart A	Upper Leg (2-Speed Square)	1
55	See Chart A	Lower Leg Assembly (Square)	2
55	See Chart A	Upper Leg (Single Speed Square)	2
56	KWJ-4890	Brace Ear	2
57	KW1151-B1	3/8"-16 x 1 3/4" Hex Head Bolt	2
58	KW1402-A1	3/8"-16 Locknut	2
59	KWJ-3292	Coupling	1
60	KW1914-A1	Spring Clip	1
61	KW1655-A32	1/4"-20 x 1/2" Hex Head Washer Screw	6
62	KW1351-A3	Grease Fitting	1
63	KW1351-A7	Grease Fitting	4
64	See Chart A	Lower Leg Assembly – Std Lube for Cushion Foot	2
65	KWJ-4514-3	Sand Shoe	2
68	KW6866	Crank Holder	1
69	KW9375	Spacer	3
70	KW1904-A14	Seal	1

Note: Numbers may change or become obsolete without notice.

LANDING GEAR

Kysor/Westran Model LPR (Round Leg)



Round legs are obsolete and unavailable as of January 1, 2009. Information shown for reference only.

Parts List Chart A

Item No.	Stoughton Number	Description
1	KW9558-0	Upper Leg Weldment (2-Speed). Length: 21 7/16"
	KW9558-1	Upper Leg Weldment (2-Speed). Length: 22 11/16"
	KW9558-2	Upper Leg Weldment (2-Speed). Length: 23 13/16"
	KW9558-3	Upper Leg Weldment (Single Speed). Length: 25 7/16"
	KW9558-5	Upper Leg Weldment (Single Speed). Length: 27 11/16"
2	KW8999-0	Upper Leg Weldment (Single Speed). Length: 21 7/16"
	KW8999-1	Upper Leg Weldment (Single Speed). Length: 22 11/16"
	KW8999-2	Upper Leg Weldment (Single Speed). Length: 23 13/16"
	KW8999-3	Upper Leg Weldment (Single Speed). Length: 25 7/16"
	KW8999-5	Upper Leg Weldment (Single Speed). Length: 27 11/16"
3	KW6997-0	Lower Leg Assembly (round)
	KW6997-1	Lower Leg Assembly (round)
	KW6997-2	Lower Leg Assembly (round)
	KW6997-3	Lower Leg Assembly (round)
	KW6997-5	Lower Leg Assembly (round)
64	KW8897-0	Lower Leg Assy. – Std Lube with Cushion Foot
	KW8897-1	Lower Leg Assy. – Std Lube with Cushion Foot
	KW8897-2	Lower Leg Assy. – Std Lube with Cushion Foot
	KW8897-3	Lower Leg Assy. – Std Lube with Cushion Foot
	KW8897-5	Lower Leg Assy. – Std Lube with Cushion Foot

HIGH PROFILE SAND SHOE

Stoughton Number	Description
KWLPR-2-30-444	Complete Set
KW19-30-444-102	Non-Gear Leg Only
KW9-30-444-102	Gearside Leg Only

LOW PROFILE SAND SHOE

Stoughton Number	Description
KWLPR-2-30-400	Complete Set
KW19-30-400-102	Non-Gear Leg Only
KW9-30-400-102	Gearside Leg Only
KWLPR-2-53-400	Complete Set
KW19-53-400-102	Non-Gear Leg Only
KW9-53-400-102	Gearside Leg Only

CUSHION FOOT

Stoughton Number	Description
KWLPR-2-30-305	Complete Set
KW19-30-305-102	Non-Gear Leg Only
KW9-30-305-102	Gearside Leg Only
KWLPR-2-53-305	Complete Set
KW19-10-305-102	Non-Gear Leg Only
KW9-10-305-102	Gearside Leg Only



LANDING GEAR

Kysor/Westran Model LPR (Round Leg) Parts List

Item No.	Stoughton Number	Description	Quantity
1	See Chart A	Upper Leg Weldment (2-Speed)	1
2	See Chart A	Upper Leg Weldment (Single Speed)	1
3	See Chart A	Lower Leg Assembly (Round)	
4	KW8994	Bushing	3
5	KWJ-4702	Crankshaft Bracket Assembly F.W. under 54	1
6	KW1351-A1	Grease Fitting	1
7	KW8984	Cover	2
8	KW1402-A7	1"-14 Thin Locknut	2
9	KW1151-B99	1/4"-20 x 2 1/4" Bolt GR. 8	3
10	KW1453-A40	Roll Pin 1/4" x 1 1/4"	4
11	KWJ-5312-1	Bevel Gear 28T	2
12	KWJ-5311-1	Pinion Bevel 14 Tooth	2
13	KWJ-5313	Bushing Screw	2
14	KW1453-A1	Roll Pin 3/8" x 1 1/4"	1
15	KWJ-5309	Gear Set Rigid 26/51 T.	1
16	KW6948-1	Shaft Pinion	1
17	KW1453-A5	Roll Pin 3/8" x 1 1/2"	1
18	KW9366-3	Cover Assembly	1
19	KWJ-122-B	Crank Holder	1
20	KW8829-17	Shaft-Crank Extension	1
21	KW1751-A1	3/8" Plain Heavy Washer	2
22	KW1402-A1	3/8"-16 Locknut	1
23	KWJ-27-BX-3	Crank	1
24	KW9374-1	Crank Bracket Assembly	1
25	KW6364-1	Bushing	1
26	KW1151-B81	3/8"-16 x 2 3/4" Hex Head Bolt	1
27	TC905700-601	Shaft-Crank	1
28	KW6943-3	Shaft Plated for Groups 2 and 4 Lube	3
29	KW1402-A9	1/4"-20 Locknut	1
30	KW1453-A61	Roll Pin	1
31	KW6365-1	Spring-Detent	1
32	KW1051-A1	Ball-Detent	2
33	KW1401-A4	5/8"-11 Hex Nut	8
34	KW1752-A4	Washer	8
35	KWJ-7043-A-B	Brace Tube (Cross)	2
36	KW1151-B17	5/8"-11 x 2" Hex Head Bolt	8
37	KWJ-7043-A-B	Brace Tube (Back)	2
38	KW1102-A2	Bearing T127	2
	KW1102-A9	Bearing T151 for H/D Application	2
39	KWJ-4928-1	Collar	2
	KWJ-5321	Collar for H/D Applications	2
40	KWJ-3237	1/4" x 13/16" Key	2
41	KWJ-7153	Crank Holder	1
42	KWJ-7324	Wheel (3 1/2" x 9")	4
44	KW1402-A1	3/8"-16 Locknut	2
45	KW1151-B36	3/8"-16 x 1" Bolt	2
46	KW9298-2	Axle (wheel models)	2
47	KW9298-1	Axle (sand shoe models)	2
48	KWJ-1219	Washer	1
49	KW6956-1	Shaft (Pinion)	1
50	KW1151-B4	3/8"-16 x 2 1/2" Hex Head Bolt	2
51	KW1402-A1	3/8"-16 Locknut	2
52	KW6883	Intermediate Shaft ("A" Mount)	1
	KW6884	Intermediate Shaft ("B" Mount)	1
56	KWJ-4154	Brace Ear	2
57	KW1151-B1	3/8"-16 x 1 3/4" Hex Head Bolt	2
58	KW1402-A1	3/8"-16 Locknut	2
59	KWJ-3292	Coupling	1
60	KW1914-A1	Spring Clip	1
61	KW1655-A32	1/4"-20 x 1/2" Hex Head Washer Screw	6
62	KW1351-A3	Grease Fitting	1
63	KW1351-A7	Grease Fitting	4
64	See Chart A	Lower Leg Assembly – Std Lube for Cushion Foot	2
65	KWJ-4514-3	Sand Shoe	2
68	KW6866	Crank Holder	1
69	KW9375	Spacer	3
70	KW1904-A14	Seal	1

Note: Numbers may change or become obsolete without notice.

LANDING GEAR

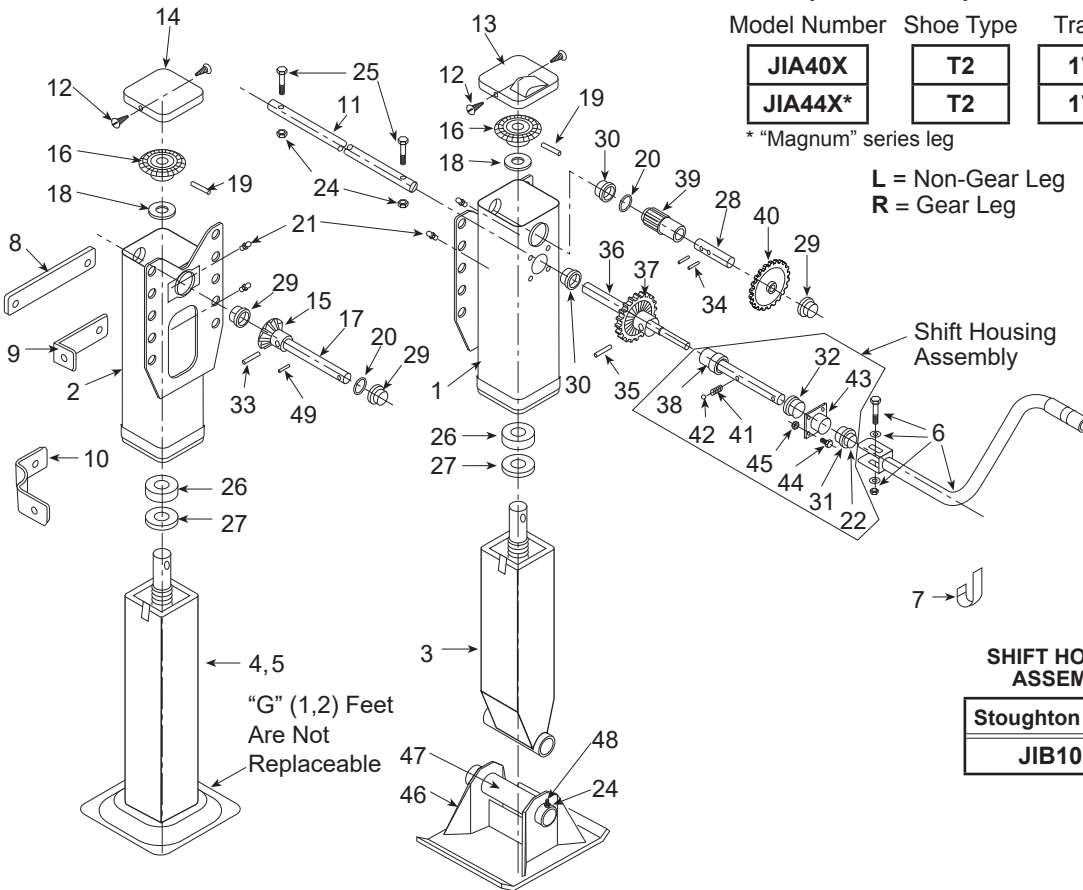
Jost International A400 (Outside Mount) / A401 (Inside Mount) Models

Order Examples

Step 1	Step 2	Step 3	Step 4
Model Number	Shoe Type	Travel	
JIA40X	T2	17"	- "08" Adds Angled Grease Fitting
JIA44X*	T2	17"	

* "Magnum" series leg

L = Non-Gear Leg
R = Gear Leg



SHIFT HOUSING ASSEMBLY

Stoughton Number
JIB10285

LOW PROFILE SAND SHOE

Stoughton Number	Description	Dimensions
JIA40X-T1-19 JIA40XL-T1-19 JIA40XR-T1-19	Complete Set Non-Gear Leg Only Gearside Leg Only	10" x 10" x 2"
JIA40X-T1-17 JIA40XL-T1-17 JIA40XR-T1-17	Complete Set Non-Gear Leg Only Gearside Leg Only	12" x 12" x 2"
JIA40X-T1-14 JIA40XL-T1-14 JIA40XR-T1-14	Complete Set Non-Gear Leg Only Gearside Leg Only	12" x 12" x 2"

FOOTWARE

Number	Description
T	Standard Sand Shoe
T1	Low Profile Sand Shoe
T2	10" x 12" Standard Sand Shoe
T3	10" x 12" Low Profile Sand Shoe
G	10" x 10" Cushion Foot
G1	12" x 12" Cushion Foot
G2	Roadrailer HD Welded
G3	Low Profile Cushion Foot*

* Repair Kit JIC10717

HIGH PROFILE SAND SHOE

Stoughton Number	Description	Dimensions
JIA40X-T-19 JIA40XL-T-19 JIA40XR-T-19	Complete Set Non-Gear Leg Only Gearside Leg Only	10" x 10" x 4 1/2"
JIA40X-T-17 JIA40XL-T-17 JIA40XR-T-17	Complete Set Non-Gear Leg Only Gearside Leg Only	12" x 12" x 4 1/2"
JIA40X-T-17 JIA40XL-T-17 JIA40XR-T-17	Complete Set Non-Gear Leg Only Gearside Leg Only	10" x 10" x 4 1/2"

CUSHION FOOT

Stoughton Number	Description	Dimensions
JIA40X-G-19 JIA40XL-G-19 JIA40XR-G-19	Complete Set Non-Gear Leg Only Gearside Leg Only	10" x 10"
JIA40X-G-17 JIA40XL-G-17 JIA40XR-G-17	Complete Set Non-Gear Leg Only Gearside Leg Only	12" x 12"
JIA40X-G1-17 JIA40XL-G1-17 JIA40XR-G1-17	Complete Set Non-Gear Leg Only Gearside Leg Only	12" Round

Note: Sets available without hardware.



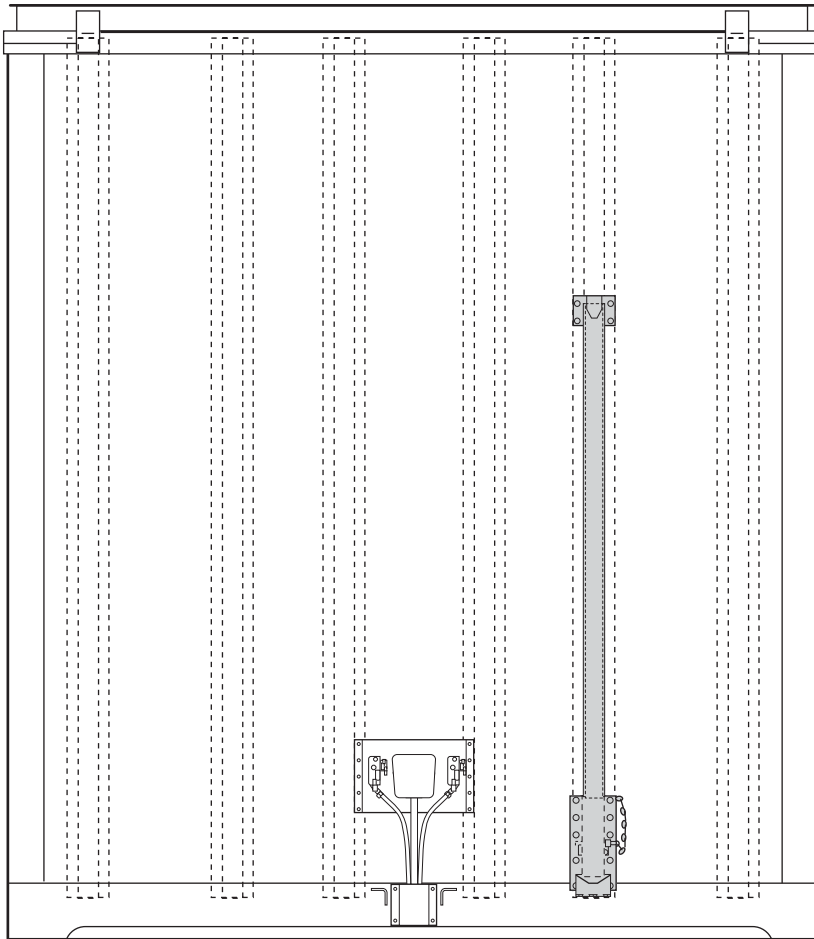
LANDING GEAR

Just International A400/A401 Model Parts List

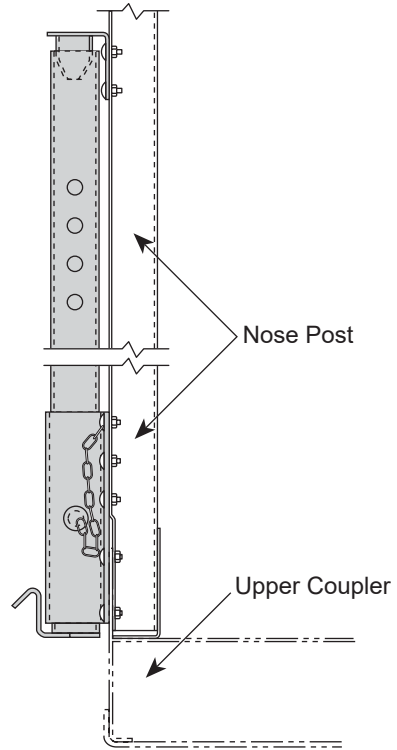
Item No.	Stoughton Number	Description	Quantity
1	JID10201.1 JID10201.2 JID10201.3	Outer Housing – 2-Speed – 14" Travel Outer Housing – 2-Speed – 17" Travel Outer Housing – 2-Speed – 19" Travel	
2	JID10116.1 JID10116.2 JID10116.3	Outer Housing – Single Speed – 14" Travel Outer Housing – Single Speed – 17" Travel Outer Housing – Single Speed – 19" Travel	
3	JID10140.1 JID10140.2 JID10140.3	Inner Leg Assembly – Standard – 14" Travel Inner Leg Assembly – Standard – 17" Travel Inner Leg Assembly – Standard – 19" Travel	
4	JID10146.1 JID10146.2 JID10146.3	Inner Leg Assembly – 10" Cushion – 14" Travel Inner Leg Assembly – 10" Cushion – 17" Travel Inner Leg Assembly – 10" Cushion – 19" Travel	
5	JID10254.1 JID10254.2 JID10254.3	Inner Leg Assembly – 12" Cushion – 14" Travel Inner Leg Assembly – 12" Cushion – 17" Travel Inner Leg Assembly – 12" Cushion – 19" Travel	
6	JIC10592.2	Standard Crank with Hardware	1
7	JIB10261	Crank Hanger	1
8	JIC10262	Brace Lug – Flat	2
9	JIC10263	Brace Lug – 90	2
10	JIC10108	Brace Lug – W	2
11	JIB10066	Intermediate Cross Shaft	1
12	JIA10059.1	Cover Screw	4
13	JIC10217	Cover – 2-Speed	1
14	JIC10259	Cover – Single Speed	1
15	JIC10177	Pinion Gear	1
16	JIC10155	Bevel Gear	2
17	JIB10130	Pinion Shaft – Single Speed	1
18	JIA10102	Thrust Washer	2
19	JIA10052.3	Grooved Pin	2
20	JIA10218	Spacer Washer	2
21	JIA10040	Grease Fitting	4
22	JIA10283	Grease Seal	1
23	JIC10209	Strut Brace (not shown)	4
24	JIA10038.7	Self Locking Nut	4
25	JIA10037.1	3/8" x 2" Gr5 Cross Shaft Bolt	2
26	JIA10033	Thrust Bearing	2
27	JIA10101	Collar	2
28	JIA10212	Output Shaft	1
29	JIA10255	Bushing	3
30	JIA10255	Bushing	2
31	JIA10249	Detent Bushing	1
32	JIA10242	Bushing	1
33	JIA10054.3	Roll Pin 3/8" x 1 1/2"	1
34	JIA10260.1	Spiral Pin	2
35	JIA10054.7	Roll Pin 3/8" x 1 3/4"	1
36	JIB10236	Output Cluster Shaft	1
37	JIC10234	Output Cluster Gear	1
38	JIC10233	Input Gear Shaft	1
39	JIC10078	Output Spur Gear	1
40	JIC10085	Input Spur Gear	1
41	JIA10049	Detent Spring	1
42	JIA10048	Detent Ball	2
43	JIB10229	Shift Housing	1
44	JIA10230	Shift Housing Bolt	4
45	JIA10038.6	Self Locking Nut	4
46	JIC10035 JIC10135 JIC10256 JIC10257	Shoe 10" x 10" x 4 1/2" Standard Shoe 10" x 10" x 2" Shoe 10" x 12" x 4 1/2" Shoe 10" x 12" x 2"	2 2 2 2
47	JIB10036	Shoe Axle	2
48	JIA10037.3	Hex Head Bolt	2
49	JIA10054.6	Roll Pin 1/4" x 1 1/4"	1

ANTI-NOSEDIVE ASSEMBLY

Stoughton



Front View



Side View

ANTI-NOSEDIVE ASSEMBLY

Stoughton Number
31 03514

"SAFETY" PIN FOR ASSEMBLY

Stoughton Number	Remarks
04 85097 000 00	4" Shaft x 3/4" Dia.