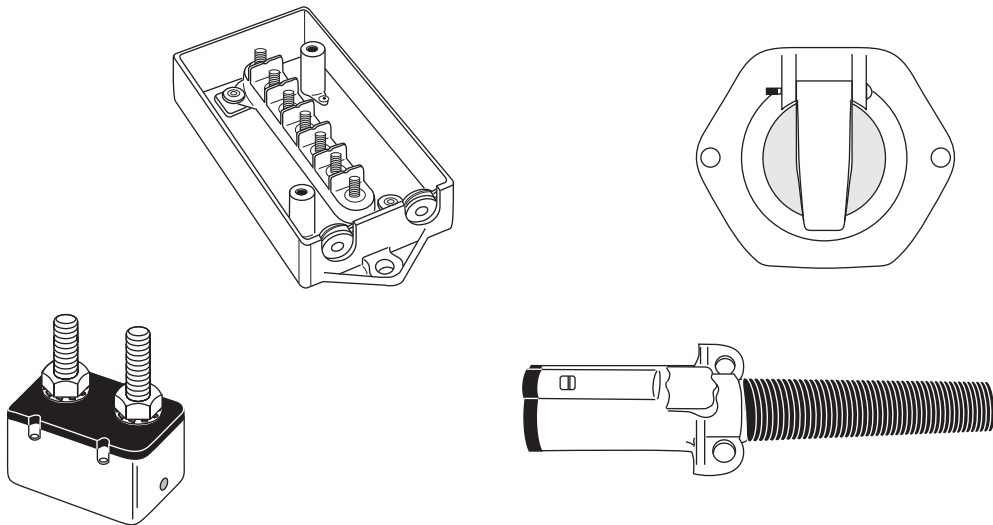
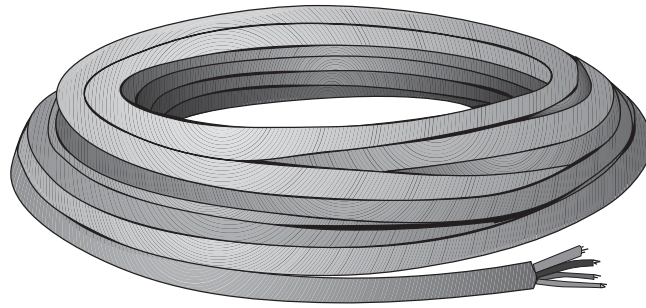


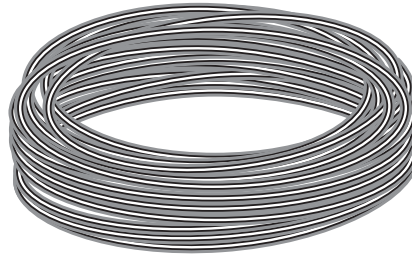
Bulk Cable	12-1
Stoughton.....	12-1
Receptacles.....	12-2
Haldex.....	12-2
Tramec.....	12-3
Connectors	12-4
Stoughton.....	12-4





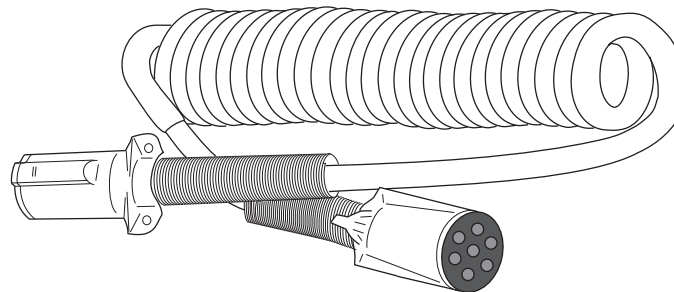
BULK CABLE

Stoughton Number	Length	Material
MBE28714	100'	(7) 14 Gauge Wires
MBE28414	100'	(4) 14 Gauge Wires
MBE28614	100'	(6) 14 Gauge Wires
MBE28712	100'	(7) 12 Gauge Wires



POLYETHYLENE TUBING

Stoughton Number	Length	Material
04 85043 000 00	Varies	1/4" I.D. Black Tubing



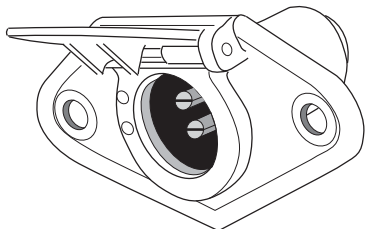
COILED CABLE WITH PLUGS

Stoughton Number	Length	Remarks
MBE27031	15'	(6) 12 Ga. & 1 (10) Ga. Wires
MBE27039	12'	(7) 14 Gauge Wires
PH30-9621	15'	Green "Lectra Coil"
TA45015	15'	

RECEPTACLES

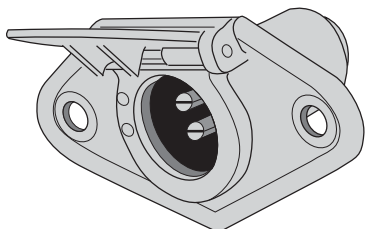
Haldex

Haldex®



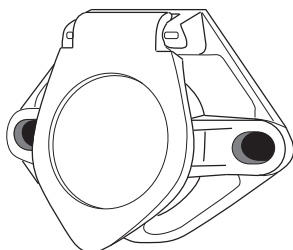
4-WAY RECEPTACLE ASSEMBLY

Stoughton Number	Remarks
MBE23402	Female, 2 Bolt Plug-In
PH15-400	Female, 2 Bolt Plug-In
TA38494	Female, 2 Bolt Plug-In



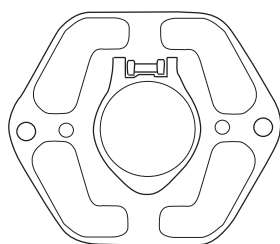
6-WAY RECEPTACLE ASSEMBLY

Stoughton Number	Remarks
MBE23602	Female, 2 Bolt Plug-In
PH15-600	Female, 2 Bolt Plug-In
TA38496	Female, 2 Bolt Plug-In



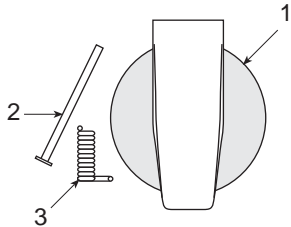
7-WAY RECEPTACLE ASSEMBLY

Stoughton Number	Remarks
MBE23703	Female, 2 Bolt Plug-In
PH15-720	Female, 2 Bolt Plug-In, Split pins
TA38497	Female, 2 Bolt Plug-In, Split pins
TL50872	Female, 2 Bolt Plug-In, Split pins



7-WAY RECEPTACLE

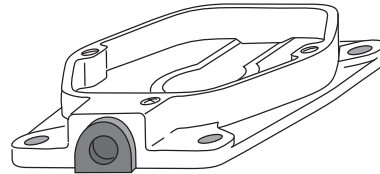
Stoughton Number	Description
M24000	Split pins, no breakers
M24001	Split pins, no breakers
M24020	Split pins, 20 amp breakers
M24030	Split pins, 30 amp breakers
M24120	Split pins, 20 amp breakers with adapter housing (Stoughton Number M24100)
PH16-760	Split pins, no breakers
PH16-762	Split pins, 20 amp breakers
TA38202	Split pins, no breakers
TA38213	Split pins, 20 amp breakers
TA38215	Split pins, 30 amp breakers
TA382328G	Split pins, no breakers
TL50860	Split pins, no breakers
TL50861	Split pins, no breakers
TL50865	Split pins, 20 amp breakers



7-WAY COVER KIT

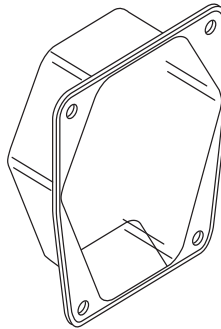
Stoughton Number
PH16-798
TA38204
TL50875

Item No.	Description
1	Cover
2	Hinge Pin
3	Spring



ADAPTER BOX

Stoughton Number	Remarks
PH16-779	2 1/2" Deep
TA38260	1" Deep, Bottom Entry
TA38260B	1" Deep, Back Entry
TA38265	2" Deep, Bottom Entry
TA38265B	2" Deep, Back Entry
TA38265-G4	2" Deep, Bottom Entry
TL5088L	2" Deep, Bottom Entry
TL50883	2" Deep, Back Entry

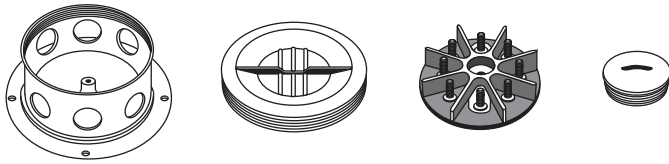


ADAPTER HOUSING, DIE CAST

Stoughton Number
M24100

CONNECTORS

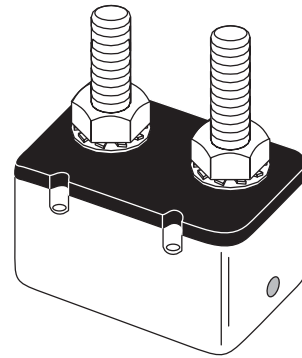
Stoughton



7-WAY COVER KIT

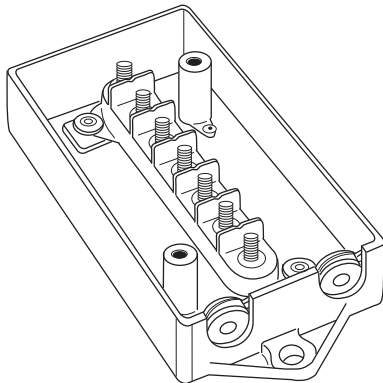
Stoughton Number
TL50400

Contents	
1	Junction Box
1	Cap
1	Terminal Block
4	Filler Plugs
Also includes Assembly and Mounting Screws	



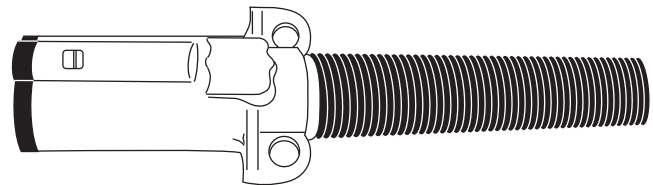
CIRCUIT BREAKERS

Stoughton Number	Remarks
M22315	15 Amp
M22330	30 Amp



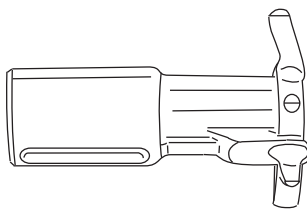
7 TERMINAL JUNCTION BOX

Stoughton Number	Remarks
PH15-961	Box w/ Top and Grommets
M22010	Box w/ Top and Grommets
M22020	Box w/ Top and Grommets
M22040	Box w/ Top and Grommets



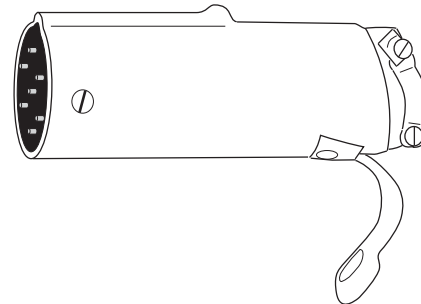
7 TERMINAL PLUG WITH SPRING

Stoughton Number
MBE23784
PH15-730



MALE PLUG

Stoughton Number	Remarks
MBE23102	1-Way
MBE23403	4-Way
MBE23603	6-Way



MALE PLUG

Stoughton Number	Remarks
MBE23783	7-Way
MBE23101	Single