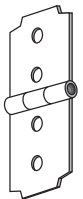
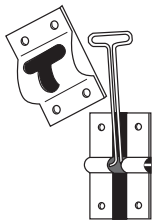
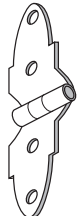
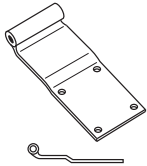
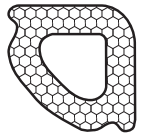


Door Panels.....	5-1
Stoughton.....	5-1
Door Extrusions – Extruded Aluminum.....	5-2
Stoughton.....	5-2
Door Gaskets – Neoprene.....	5-2
Stoughton.....	5-2
Door Gaskets – Sealok Type.....	5-3
Stoughton.....	5-3
Door Gaskets – Newcourt Type.....	5-4
Stoughton.....	5-4
Door Gaskets.....	5-4
Great Dane	5-4
Utility	5-4
How to Order a Lockrod	5-5
Ordering Example	5-5
Lockrod Components	5-7
Stoughton.....	5-7
Monon	5-11
Mid-Cam Lock Assembly	5-11
Stoughton.....	5-11
Hinges	5-12
Stoughton.....	5-12
Dorsey.....	5-14
Fruehauf.....	5-15
Great Dane	5-16
Hyundai.....	5-18
Kentucky	5-18
Manac	5-18
Monon	5-18
Pines	5-19
Strick	5-19



Trailmobile.....	5-20
Utility	5-20
Vanguard Trailers.....	5-21
Wabash	5-21
Hinge Pins	5-22
Stoughton.....	5-22
Dorsey.....	5-22
Great Dane	5-22
Fruehauf.....	5-22
Trailmobile.....	5-23
Utility	5-23
Todco Roll-Up Door	5-24
3/4" Dry Freight Door - Aluminum or Plastic Coated.....	5-24
Overhead Door Size Chart.....	5-24
Todco Parts List.....	5-25
Whiting General Purpose Roll-Up-Door	5-26
3/4" Dry Freight Door - General Purpose.....	5-26
Overhead Door Size Chart.....	5-26
Whiting General Purpose Parts List	5-27
Whiting Premium Roll-Up-Door	5-28
3/4" Dry Freight Door - Aluminum Clad or Premium Plastic	5-28
Whiting Premium Parts List	5-29
Transglobal Universal Roll-Up-Door.....	5-30
98" x 107" Universal Door – White – TG98X107PPW	5-30
Transglobal Universal Parts List.....	5-31
Transglobal Universal Flush Mount Roll-Up-Door.....	5-32
98" x 107" Universal Door – Flush Mount Hardware – White – TG-98X107 WH5-32	
Transglobal Universal Flush Mount Parts List	5-33
Transglobal Extreme Duty Roll-Up-Door	5-34
98" x 105" x 0.5" x 1" Extreme Duty White Composite Door.....	5-34
Transglobal Extreme Duty Parts List	5-35
Transglobal Extreme Duty Roll-Up Door	5-36
Stoughton – 98" x 105" x 0.5" x 2" Extreme Duty White Composite Door 5-36	
Transglobal Extreme Duty Parts List	5-37
Transglobal Replacement Panels.....	5-38
Intermediate Panels	5-38
Bottom Panels.....	5-39
Rear Frame Conversion Kits	5-40
Stoughton.....	5-40
Side Door Frame Parts.....	5-40

Stoughton..... 5-40

Side Door Assembly 5-41

 Stoughton..... 5-41

Vent Doors..... 5-41

 Stoughton..... 5-41

Holdback Hardware 5-42

 Stoughton..... 5-42

 Fruehauf..... 5-42

Hardware 5-43

 Todco 5-43

 Todco 5-44

 Whiting 5-45

Miscellaneous..... 5-47

 Stoughton..... 5-47

 Fruehauf..... 5-48

 Great Dane 5-48

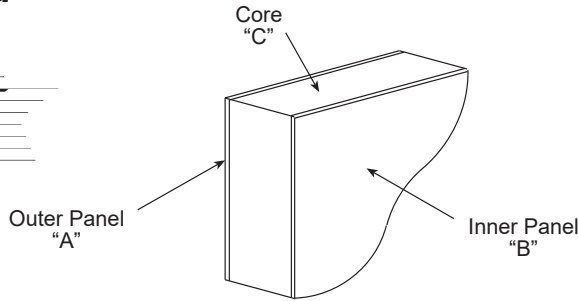
 Utility 5-48

 Wabash 5-48

 Todco 5-48

Side Door Step Assemblies 5-49

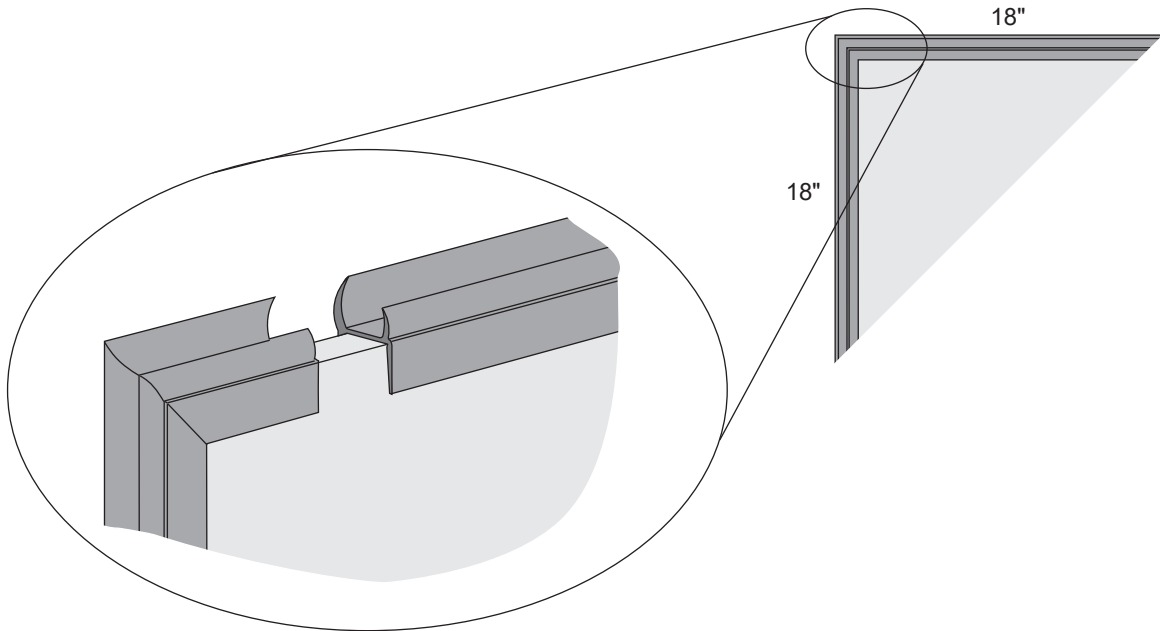
 Stoughton..... 5-49



NEWCOURT, INC.

DOOR BLANKS

Stoughton Number	Size	"A"	"B"	"C"
DP07548110PW/GV	3/4" x 48" x 110"	.015 White Aluminum	.019 Galvanized Steel	Wood
DP07548120PW/GV	3/4" x 48" x 120"	.015 White Aluminum	.019 Galvanized Steel	Wood
DP07548120SS/GV	3/4" x 48" x 120"	.026 Mirror Stainless	.019 Galvanized Steel	Wood
DP05048120PW/GV	1/2" x 48 1/2" x 120"	.015 White Aluminum	.019 Galvanized Steel	Wood
DP10048110PW/GV	1" x 48 5/16" x 110 1/2"	.024 White Galvanized Steel	.024 Galvanized Steel	Wood
A.A.R. Approved DP12548110PW/GV	1 1/4" x 48 3/8" x 110 1/2"	.024 White Galvanized Steel	.024 Galvanized Steel	Wood
A.A.R. Approved DP07548120PW/AL	3/4" x 48" x 120"	.015 White Aluminum	.015 Mill Aluminum	Wood
04 22401 001 00	.512" x 48.62" x 108.5"	.019 Steel PPW	.019 Steel PPW	G-Bond
04 22401 001 01	.512" x 48.62" x 108.5"	.019 Steel Schneider Orange	.019 Steel PPW	G-Bond
04 23673 000 00	.512" x 48.12" x 108.88"	.019 White Galv. Steel, PPW	.019 White Galv. Steel	G-Bond
04 85451 XXX 00	1" x 49" x 120"	.015 White Aluminum	.015 White Aluminum	Foam
04 85521 XXX 01	3/4" x 49" x 120"	.015 White Aluminum	.015 White Aluminum	Foam



CORNER REPAIR

Stoughton Number	Size	Remarks
NC CORNER REPLAC	3/4" x 18" x 18"	Dual Durometer
04 52727 800 00	3/4" x 3" x 3"	Corner Seal – Norstar

DOOR EXTRUSIONS – EXTRUDED ALUMINUM

Stoughton



DOOR MULLION

Stoughton Number
02 04079

For standard 110" doors
(set of 2), order 1 piece.



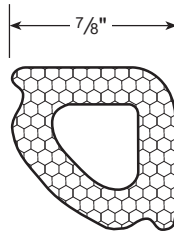
DOOR EDGE

Stoughton Number
02 06626

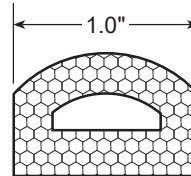
For standard 110" doors
(set of 2), order 5 pieces.
Requires 04 06435 gasket.

DOOR GASKETS – NEOPRENE

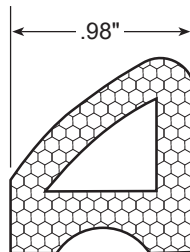
Stoughton



Stoughton Number	Remarks
04 06435 000 00	Per foot
04 06435 150' BOX	150' Box (150' Roll)



Stoughton Number	Remarks
04 08725 250 00	D-Shaped, 250' Rolls
04 08725 500 00	D-Shaped, 500' Rolls



Stoughton Number	Remarks
04 45985 100 00	Dane 45985, 100' Rolls

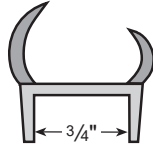
DOOR GASKETS – SEALOK TYPE

Stoughton

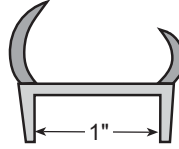
Pre-Gasketed Door Edge - 14' Sticks



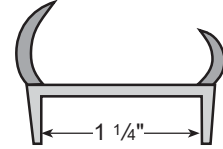
Stoughton Number
04 85221 002 50



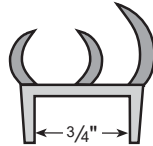
Stoughton Number
04 85221 000 50
04 85221 000 LD



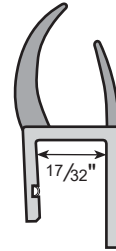
Stoughton Number
04 85478 000 53



Stoughton Number
04 85200 000 50



Stoughton Number	Remarks
04 85221 000 X3	Tri-Seal



Note: 2 per 110" door,
3 per 120" door.
STD = 15 per box
LD = 20 per box

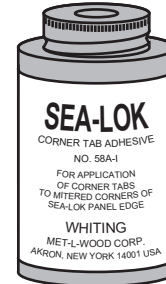
G-Bond "Z" Door Gasket

Stoughton Number	Remarks
04 22402 168 00	168" Lengths



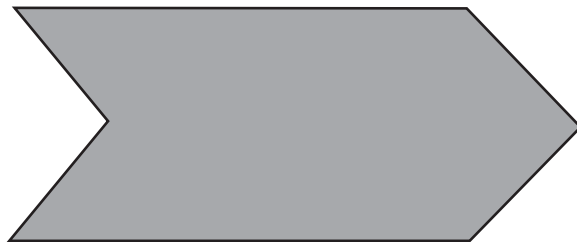
SEALOK CORNER TAB
(Actual Size)

Stoughton Number	Remarks
04 85221 001 50	1000 / box



Stoughton Number
W58A-1

Cannot ship this product
via UPS or Fed Ex.

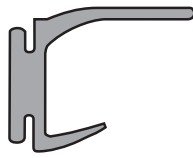


SEALOK CORNER TAB
(Actual Size)

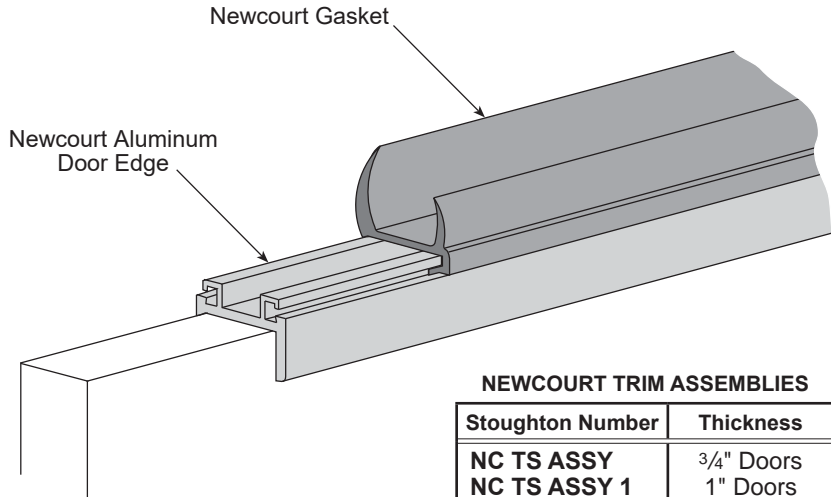
Stoughton Number	Remarks
APWIDE-TAB	1000 / box

DOOR GASKETS – NEWCOURT TYPE

Stoughton

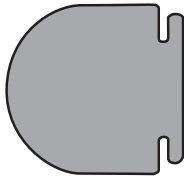


Stoughton Number
NC6227771



NEWCOURT TRIM ASSEMBLIES

Stoughton Number	Thickness
NC TS ASSY	3/4" Doors
NC TS ASSY 1	1" Doors



Stoughton Number
NC6582771

NEWCOURT ALUMINUM DOOR EDGES - 14'

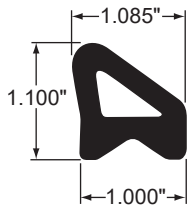
Stoughton Number	Door Panel Thickness
NC6203071	3/4"
NC6246071	1"

NEWCOURT GASKETS - 14'

Stoughton Number	Door Panel Thickness	Gasket Type
NC6237871	3/4"	Standard
NC6280871	1" & 1 1/4"	Standard
NC6292871	3/4"	Balloon
NC6238871	1" & 1 1/4"	Balloon

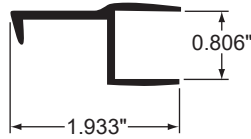
DOOR GASKETS

Great Dane



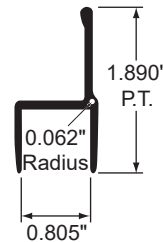
DOOR GASKET, 10'

Stoughton Number
GD#45985



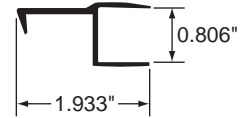
3/4" DOOR CHANNEL, ALUM, 10'

Stoughton Number
GD#95573



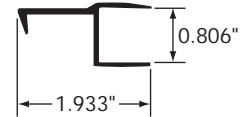
3/4" DOOR CHANNEL, 10'

Stoughton Number
GD#95583
GD#95586
GD#95587



DOOR CHANNEL, ALUM, 168"

Stoughton Number
GD#60402901



DOOR CHANNEL, ALUM, 128.5"

Stoughton Number
GD#60403001

Utility

Picture
Not
Available

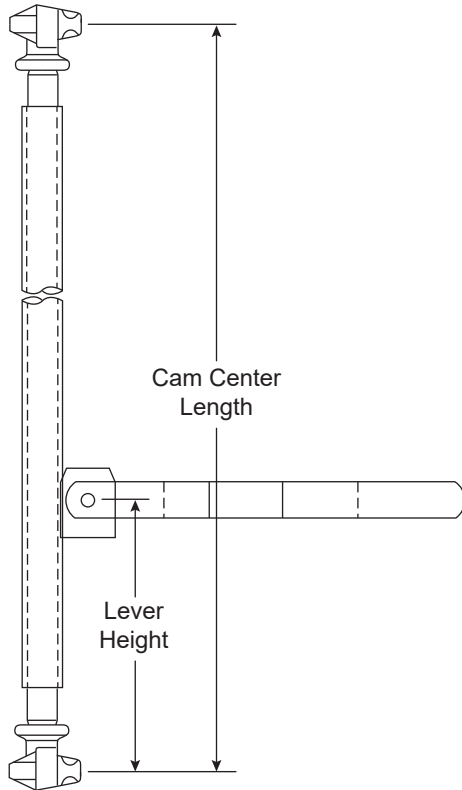
DOOR GASKET, 168"

Stoughton Number
UT-03-3550-0-038

HOW TO ORDER A LOCKROD

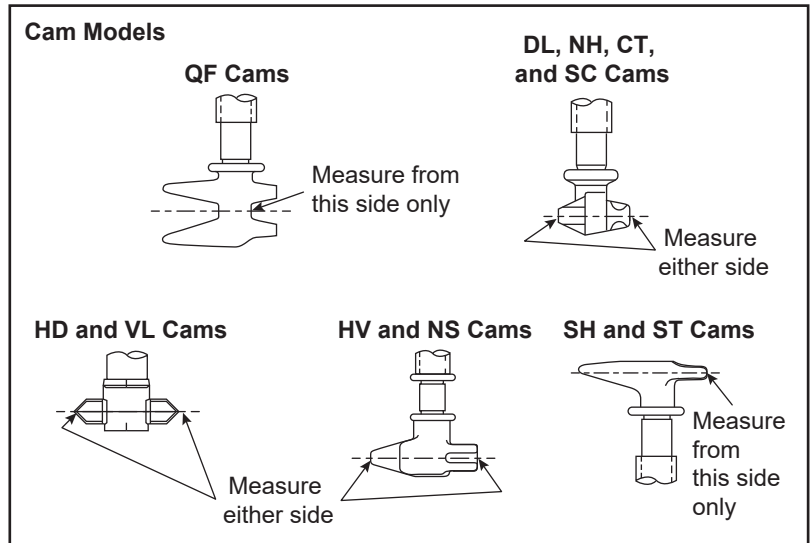
Ordering Example

Model	HV-SH
Hand	RH
Cam Center Length	110.56"
Lever Height	14.00"
Finish	Hot Dip Galvanized
Quantity	4



Trailer and Truck doors vary widely. To make sure that you receive the proper lockrods for your needs, we require the following ordering information:

- **Model** – Specifies the model of the bottom and top cam, with the **bottom cam listed first**. For example, HV-SH would specify an HV bottom cam and an SH top cam (see Cam Models below).



- **Hand** – Specifies whether the lockrod lever is to the left or right of the lockrod when in the closed position. Left Hand (LH) means the lever is to the left of the lockrod (roadside) for rear doors. Right Hand (RH) means the lever is to the right of the lockrod (curbside) for rear doors.
- **Cam Center Length** – Specifies the length from the center of the bottom cam to the center of the top cam. Please measure accurately.
- **Lever Height** – Specifies the position from the center of the bottom cam to the center of the lever. Standard lever height is 14.00".
- **Finish** – Indicates the coating or material of the lockrod. Options include:
 - Hot-Dip Galvanized Steel (HDG)
 - Plain Steel
 - Electropolished Stainless Steel
 - 3/4" Plain Aluminum
 - 3/4" Electropolished Aluminum
 If you do not specify a finish, you will receive HDG.
- **Quantity** – Please specify the number of lockrods that you want to order (per Hand).

HOW TO ORDER A LOCKROD

Lockrod Selection Chart

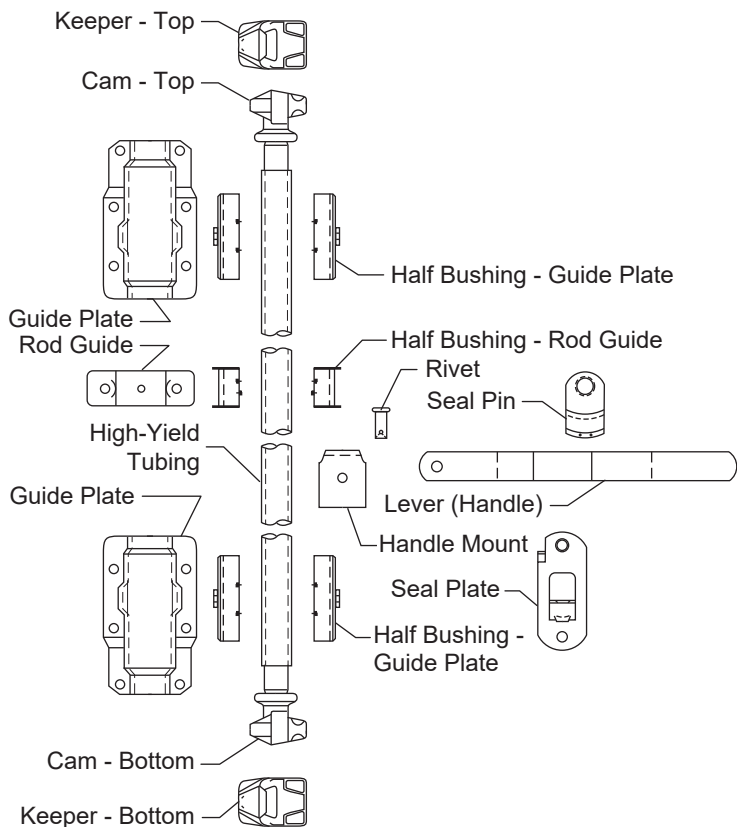
	Lockrod Type		
	Dual-Lobe / Zero-Torque	Maximum Reach / Maximum Gather	Saddle Cam
Shifting/AAR requirement	Excellent	Good	Good
Narrow header	Satisfactory	Excellent	Excellent
Resistance to dock damage	Excellent	Good	Satisfactory
Anti-racking	Excellent	Good	Good
Closing a racked trailer door	Good	Excellent	Good
Opening frozen (stuck) doors	Excellent	Good	Satisfactory
Stiff seals on doors	Good	Excellent	Good
Increased security	Excellent	Not Available	Not Available
Economy (lowest cost)	Good	Good	Excellent
Special finish stainless	Available	Available	Available
(ISO Requirements) Live cargo trailers	Excellent	Satisfactory	Good

Lockrod Components

Additional Considerations

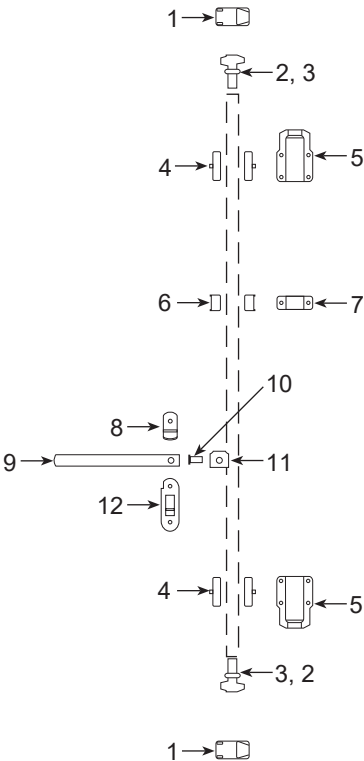
Lockrods can be ordered with or without mounting components.

- One rod guide is usually used per lockrod. If additional rod guides are required, they must be specified at the time the order is placed. Order two half bushings for each additional rod guide ordered. Keepers are ordered separately.
- Keepers are available in several mounting options, finishes, materials, and offsets. Contact Stoughton Trailers Customer Service or see the respective chart for each model.
- Standard mounting components usually used with each 1" lockrod (same finish as the lockrod ordered) are as follows:
 - 2 - Guide plates
 - 4 - Guide plate half bushings
 - 1 - Rod guide
 - 2 - Rod guide half bushings
 - 1 - Seal plate
 - 1 - Seal pin



Note: 3/4" Lockrods require different mounting hardware.

LOCKROD COMPONENTS Stoughton

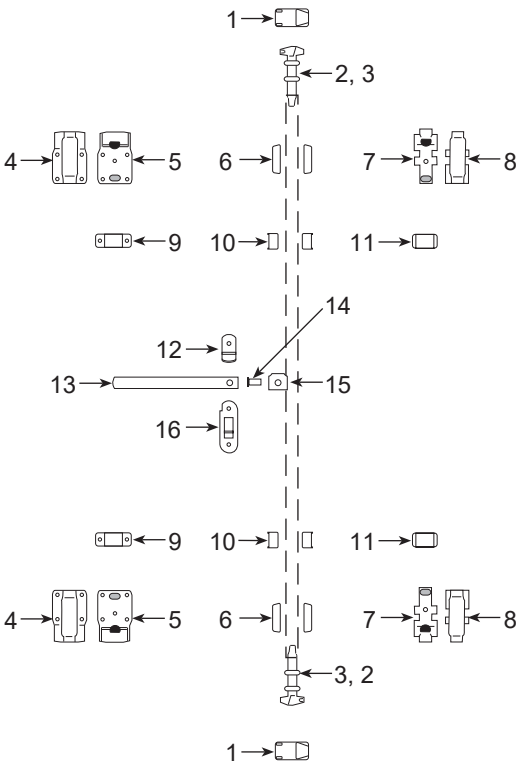


MODEL DL-BU

Item No.	Stoughton Number	Description
1	MR1064	Upper & Lower Keeper
2	MR4043	Upper & Lower End (lever to left)
3	MR4044	Upper & Lower End (lever to right)
4	MR4042	Guide Plate Bushings
5	MR4207	Guide Plate
6	MR4006	Rod Guide Bushings
7	MR4005	Rod Guide
8	MR4012	Seal Pin
9	MR4090	Lever
10	MR4049	Rivet
11	MR4208	Lever Mount
12	MR4011	Seal Plate
-	MRDLBU-HW	Lockrod Hardware Kit - No Pipe

PRE-ASSEMBLED LEVER
secured by swaged stainless steel rivet

MR4146



MODEL DL-CT

Item No.	Stoughton Number	Description
1	MR1064	Upper & Lower Keeper
2	MR2091	Upper & Lower End (lever to left)
3	MR2092	Upper & Lower End (lever to right)
4	MR4003	Guide Plate
5	MR4004	Guide Plate Back Plate
6	MR4007	Guide Plate Bushings
7	MR4106	Guide Plate Back Plate W/O
8	MR4105	Guide Plate W/O
9	MR4005	Rod Guide
10	MR4006	Rod Guide Bushings
11	MR4107	Rod Guide W/O
12	MR4012	Seal Pin
13	MR4090	Lever
14	MR4049	Rivet
15	MR4208	Lever Mount
16	MR4011	Seal Plate

PRE-ASSEMBLED LEVER
secured by swaged stainless steel rivet

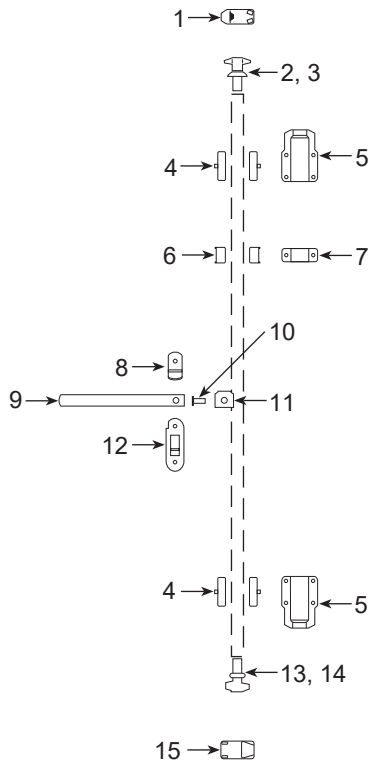
MR4146

Call with trailer VIN (Serial Number) - Some lockrods may be available pre-assembled
Note: All Miner parts sold "each"

LOCKROD COMPONENTS

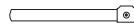
Stoughton

MODEL DL-NH



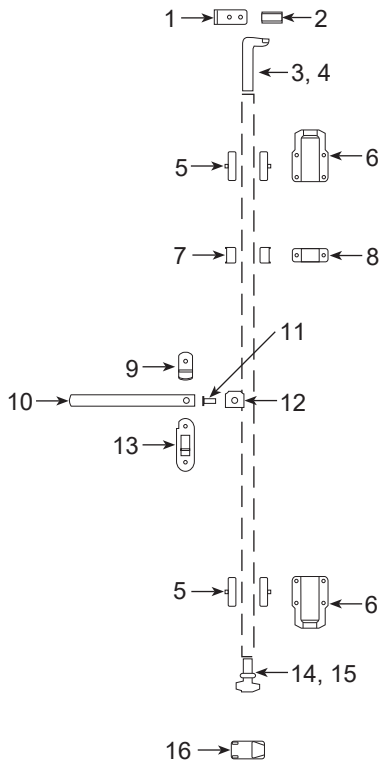
Item No.	Stoughton Number	Description
1	MR4140	Upper Keeper
2	MR4141	Upper End (lever to left)
3	MR4142	Upper End (lever to right)
4	MR4042	Guide Plate Bushings
5	MR4207	Guide Plate
6	MR4006	Rod Guide Bushings
7	MR4005	Rod Guide
8	MR4012	Seal Pin
9	MR4090	Lever
10	MR4049	Rivet
11	MR4208	Lever Mount
12	MR4011	Seal Plate
13	MR4044	Lower End (lever to left)
14	MR4043	Lower End (lever to right)
15	MR1064	Lower Keeper
-	MRDLNH-HWLH	Lockrod Hardware Kit – No Pipe
-	MRDLNH-HWRH	Lockrod Hardware Kit – No Pipe
-	04 85004 100 KIT	Left Hand Universal Lockrod Kit – With Pipe
-	04 85004 200 KIT	Right Hand Universal Lockrod Kit – With Pipe
-	04 85004 100 00	120" Pipe w/ Handle & Lower Cam – Roadside
-	04 85004 200 00	120" Pipe w/ Handle & Lower Cam – Curbside

PRE-ASSEMBLED LEVER
secured by swaged stainless steel rivet



MR4146

MODEL DL-1135



Item No.	Stoughton Number	Description
1	MR4064	Upper Keeper (Bolt on)
2	MR4009	Upper Keeper (Weld on)
3	MR4147	Upper End (lever to left)
4	MR4148	Upper End (lever to right)
5	MR4042	Guide Plate Bushings
6	MR4207	Guide Plate
7	MR4006	Rod Guide Bushings
8	MR4005	Rod Guide
9	MR4012	Seal Pin
10	MR4090	Lever
11	MR4049	Rivet
12	MR4067	Lever Mount
13	MR4011	Seal Plate
14	MR4044	Lower End (lever to left)
15	MR4043	Lower End (lever to right)
16	MR1064	Lower Keeper

PRE-ASSEMBLED LEVER
secured by swaged stainless steel rivet



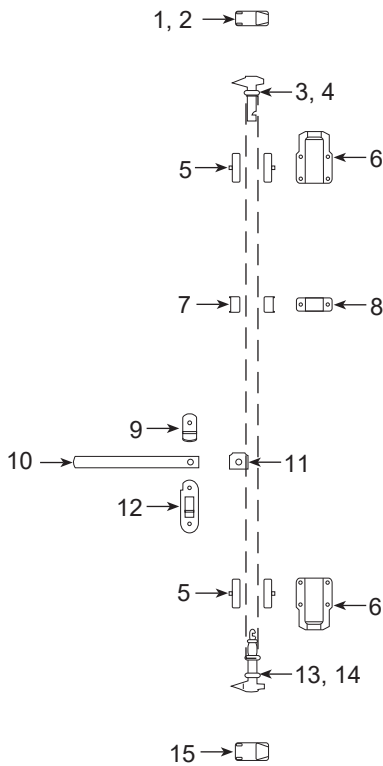
MR4146

Call with trailer VIN (Serial Number) - Some lockrods may be available pre-assembled

Note: All Miner parts sold "each"

LOCKROD COMPONENTS

Stoughton

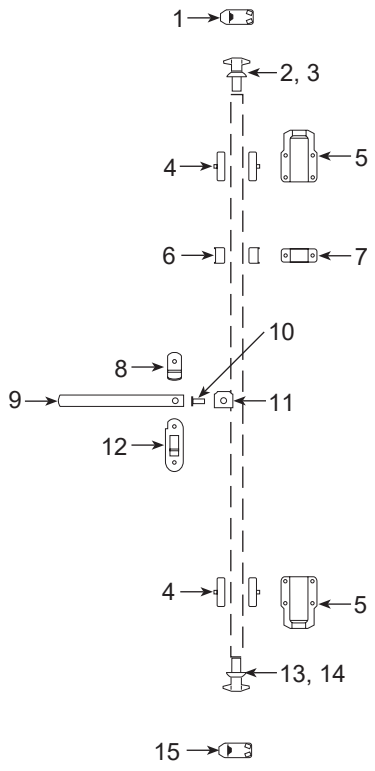


MODEL HV-SH

Item No.	Stoughton Number	Description
1	MR4155	Upper Keeper (lever to left)
2	MR4156	Upper Keeper (lever to right)
3	MR4153	Upper End (lever to left)
4	MR4154	Upper End (lever to right)
5	MR4042	Guide Plate Bushings
6	MR4207	Guide Plate
7	MR4006	Rod Guide Bushings
8	MR4005	Rod Guide
9	MR4012	Seal Pin
10	MR4090	Lever
11	MR4208	Lever Mount
12	MR4011	Seal Plate
13	MR2497	Lower End (lever to left)
14	MR2498	Lower End (lever to right)
15	MR4223	Lower Keeper
-	MRHVSH-HWRH	Lockrod Hardward Kit – No Pipe – Curbside
-	MRHVSH-HWLH	Lockrod Hardward Kit – No Pipe – Roadside

PRE-ASSEMBLED LEVER
secured by swaged stainless steel rivet

MR4146



MODEL NH-NH

Item No.	Stoughton Number	Description
1	MR4140	Upper Keeper
2	MR4141	Upper End (lever to left)
3	MR4142	Upper End (lever to right)
4	MR4042	Guide Plate Bushings
5	MR4207*	Guide Plate
6	MR4006	Rod Guide Bushings
7	MR4005	Rod Guide
8	MR4012	Seal Pin
9	MR4090	Lever
10	MR4049	Rivet
11	MR4208	Lever Mount
12	MR4011	Seal Plate
13	MR4142	Lower End (lever to left)
14	MR4141	Lower End (lever to right)
15	MR4140	Lower Keeper
-	04 85776 100 00	120" Pipe w/ Lever & Lower Cam – Roadside
-	04 85776 200 00	120" Pipe w/ Lever & Lower Cam – Curbside

* Replaces MR4041
"Stainless steel" MR4140 Keepers – 04 85004 000 05

PRE-ASSEMBLED LEVER
secured by swaged stainless steel rivet

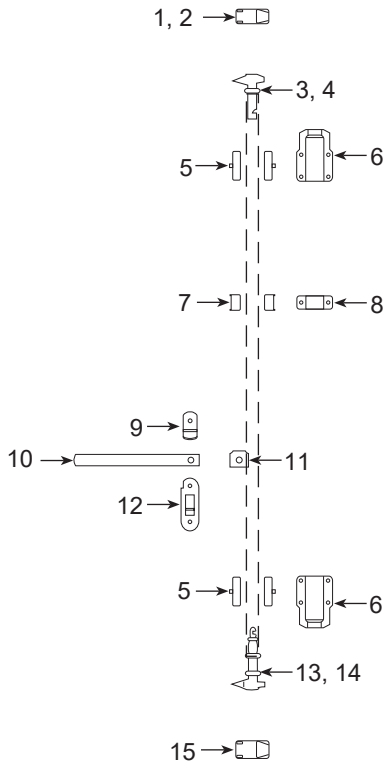
MR4146

Call with trailer VIN (Serial Number) - Some lockrods may be available pre-assembled
Note: All Miner parts sold "each"

LOCKROD COMPONENTS

Stoughton

MODEL NS-ST



Item No.	Stoughton Number	Description
1	MR4229	Upper Keeper (lever to left)
2	MR4230	Upper Keeper (lever to right)
3	MR4227	Upper End (lever to left)
4	MR4228	Upper End (lever to right)
5	MR4042	Guide Plate Bushings
6	MR4207	Guide Plate
7	MR4006	Rod Guide Bushings
8	MR4005	Rod Guide
9	MR4012	Seal Pin
10	MR4090	Lever
11	MR4208	Lever Mount
12	MR4011	Seal Plate
13	MR4226	Lower End (lever to left)
14	MR4225	Lower End (lever to right)
15	MR4224	Lower Keeper

MISCELLANEOUS LOCKROD KITS, WITH PIPE

Stoughton Number	Description
04 85005 100 KIT	Left Hand Universal Lockrod Kit with Pipe
04 85005 200 KIT	Right Hand Universal Lockrod Kit with Pipe

PRE-ASSEMBLED LEVER
secured by swaged stainless steel rivet

MR4146

MISCELLANEOUS LOCKROD KITS, WITH PIPE

Stoughton Number	Description
MR P50305 LH KIT	Lockrod Kit QF-QF, Left Hand
MR P50315 RH KIT	Lockrod Kit QF-QF, Right Hand
MR P50575 LH KIT	Lockrod Kit SI-SI, Left Hand
MR P50585 RH KIT	Lockrod Kit SI-SI, Right Hand
MR P50815 LH KIT	Lockrod Kit HV-SH, Left Hand
MR P50825 RH KIT	Lockrod Kit HV-SH, Right Hand
MR P50915 LH KIT	Lockrod Kit DL-DL, Left Hand
MR P50925 RH KIT	Lockrod Kit DL-DL, Right Hand
MR P50935 LH KIT	Lockrod Kit NH-NH, Left Hand
MR P50945 RH KIT	Lockrod Kit NH-NH, Right Hand

MISCELLANEOUS

Stoughton Number	Description
MR P50005A	120" Blank Lockrod Pipe
MR P50325A	120" "Weld-Pro" Lockrod Assembly
MR P50335A	"Weld-Pro" Welding Fixture Set
MR P50365A	Post-Weld Spray Paint
MR P50425A	"Rack-Away" Anti-Racking Brackets

Call with trailer VIN (Serial Number) - Some lockrods may be available pre-assembled.

Note: All Miner parts sold "each."

LOCKROD COMPONENTS

Monon



LOCKROD, RS, SPECIAL

Stoughton Number
MON-EDA44974L

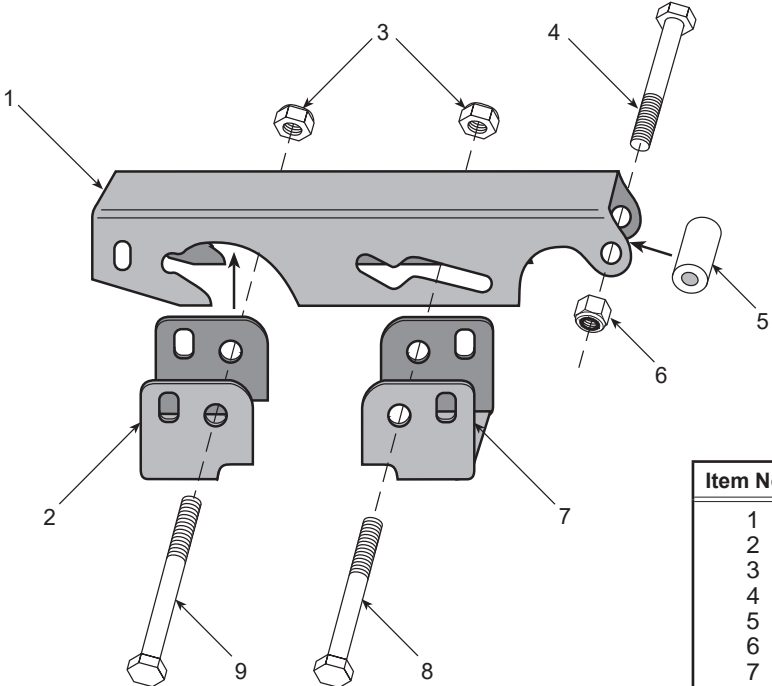


LOCKROD, CS, SPECIAL

Stoughton Number
MON-EDA44974R

MID-CAM LOCK ASSEMBLY

Stoughton



MID-CAM LOCK ASSEMBLY

Stoughton Number
MRMC1166

Replaces 04 85112 000 00

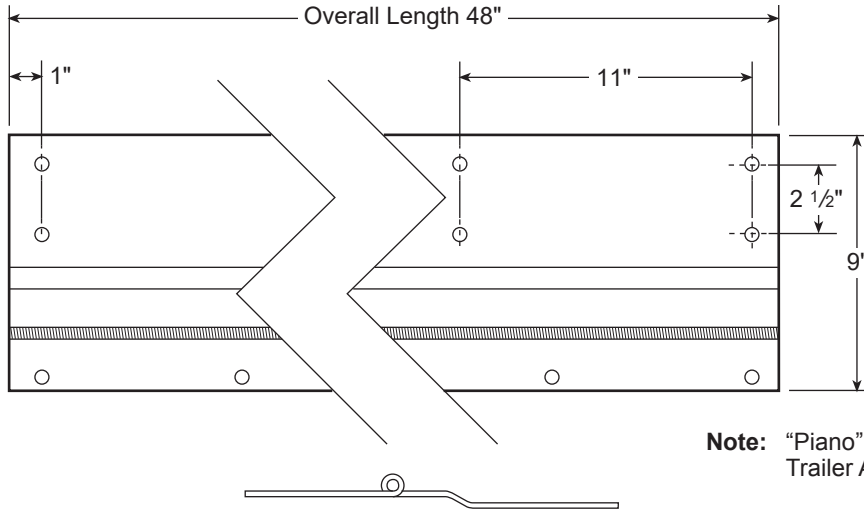
TRIPLE-SEAL DOOR LOCK ASSEMBLY

Item No.	Stoughton Number	Description
1	MR4165	Cam Lock
2	MR4166	4 Hole Lock Bracket
3	MRP41953	3/8" - 16 Hex Nuts
4	MRP41923	3/8" - 16 x 3" Hex Bolt
5	MR4103	Cam Bearing
6		3/8" - 16 Hex Lock Nut
7	MR4164	2 Hole Lock Bracket
8	MRP41933	3/8" - 16 x 3 1/2" Hex Bolt
9	MRP41943	3/8" - 16 x 4" Hex Bolt

"Dorsey," "Fruehauf," "Great Dane," "Hyundai," "Kentucky," "Lufkin," "Monon," "Manac," "Pines," "Strick," "Trailmobile," "Utility," "Vanguard Trailer," and "Wabash" are trademarks of their respective owners and are used only to identify corresponding part numbers of Stoughton Part Sales, LLC. Stoughton Part Sales, LLC is not affiliated with the owners of these trademarks.

HINGES

Stoughton



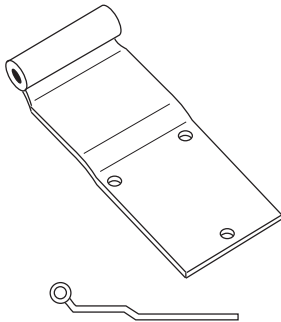
Note: "Piano" hinge PLATE
Trailer Application ONLY

HINGE ASSEMBLY

Stoughton Number
04 12514

Replaces 01 11548 000 00

STEEL HINGES

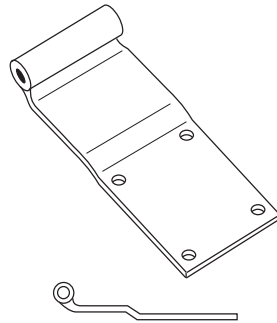


Stoughton Number	Type
MR P107845A*	4-Hole (MRH-1060-4)
MRH-1078-3	3-Hole (see MRBU-1062-4)
MR P108835A	3-Hole (MRH-1081-3)
MR P108855A	5-Hole (MRH-1081-5)

* Used on "Roadtrailers"

HINGE PARTS LIST

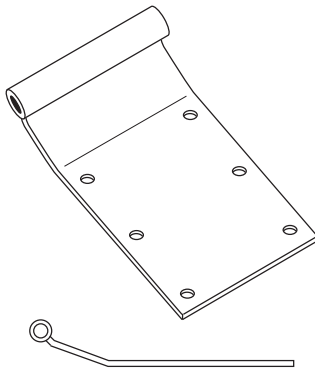
Stoughton Number	Type
04 86386 003 00	Hinge Butt - 2 3/4"
04 09600 000 00	Hinge Gasket - 4" Hinge
MR P1156061A	4" Hinge Butt (old # MRHB-1156-6-3)
MRBU-1062-4	Bushing, Naval Brass for MRH 1078-3
MRHB-1156-6-SS	4" Hinge Butt (Stainless)



**ALUMINUM HINGE
WITH BUSHING**

Stoughton Number	Description
04 08316 000 00	4"
04 86386 001 00*	2 3/4"

* Our current production standard

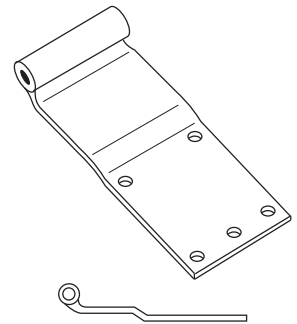


PROPAR HINGE

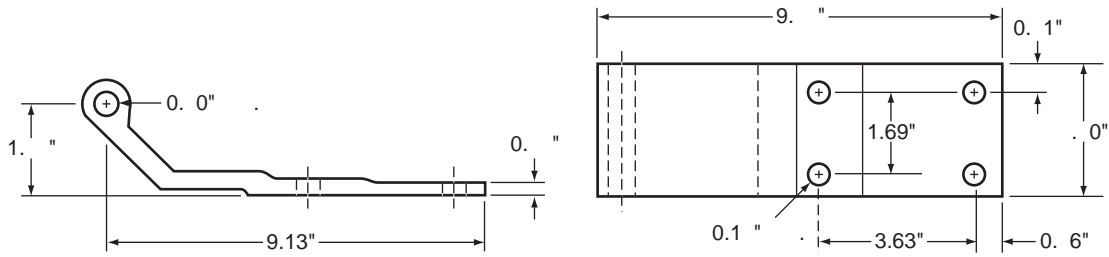
Stoughton Number
04 85212 000 00

PROPAR HINGE PARTS LIST

Stoughton Number	Description
04 85213 000 00	Hinge Pin

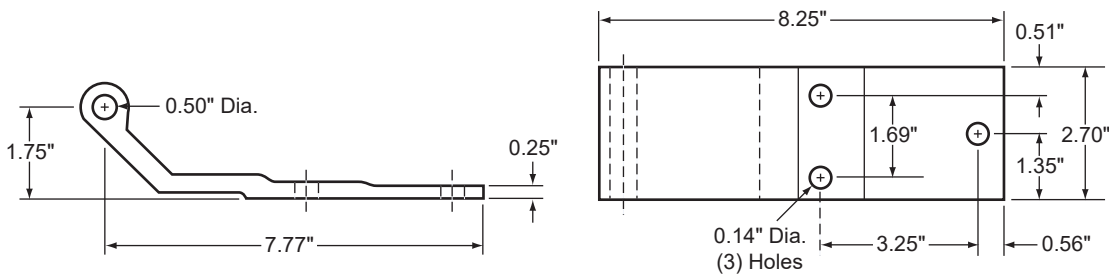


HINGES Dorsey



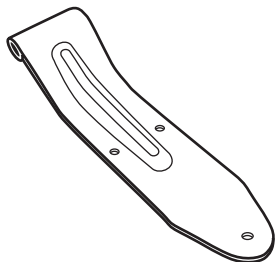
HINGE, 4-HOLE, ALUM, 2.75" W

Stoughton Number
DOR-2810093



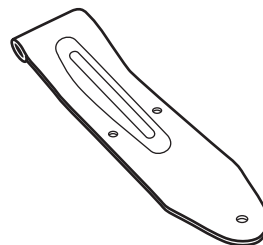
HINGE, 3-HOLE, ALUM, 2.75" W

Stoughton Number
DOR-2810919



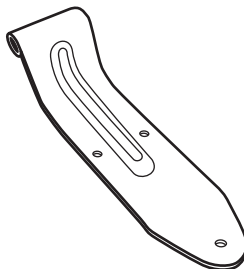
HINGE, 3-HOLE

Stoughton Number
DOR-4101481



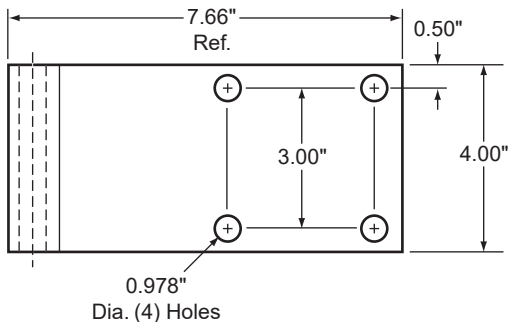
HINGE, 3-HOLE, STEEL STAMPING

Stoughton Number
DOR-4101482



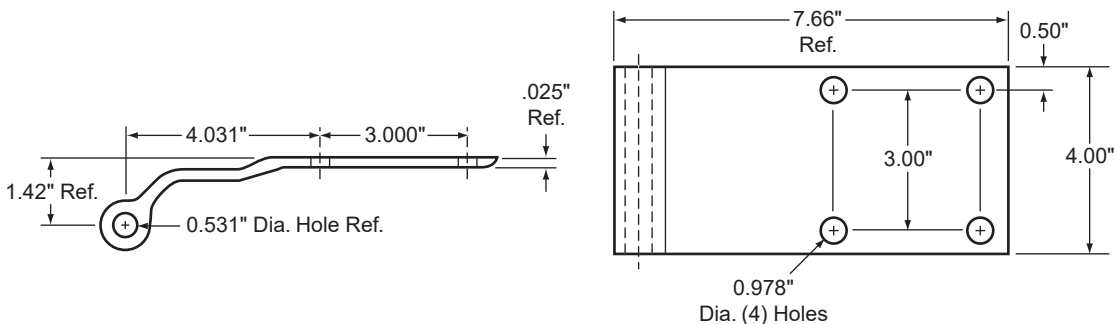
HINGE, 3-HOLE, STEEL STAMPING

Stoughton Number
DOR-5609022



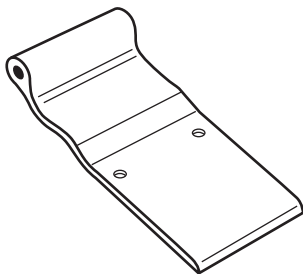
HINGE, 5-HOLE, FRUEHAUF, 4" W

Stoughton Number
FRU#BCF4678



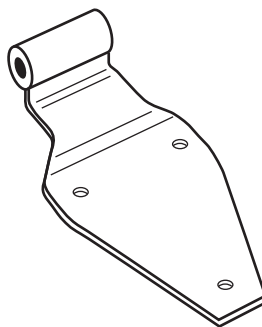
HINGE, 4-HOLE, ALUM

Stoughton Number
FRU#BCF4678-1



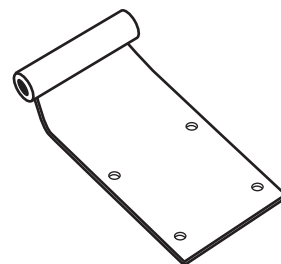
HINGE, 3-HOLE, ALUM

Stoughton Number
FRU#DBA00158300



HINGE, 3-HOLE

Stoughton Number
FRU#DCA-02-42

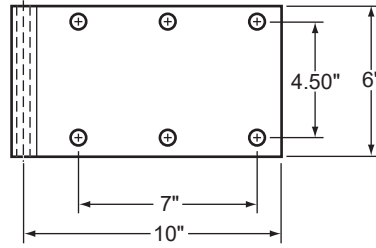
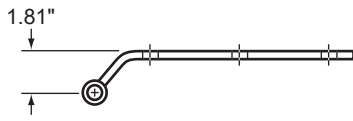


HINGE, 4-HOLE

Stoughton Number
FRU#DCE-8681-1

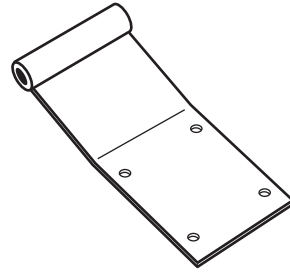
HINGES

Fruehauf



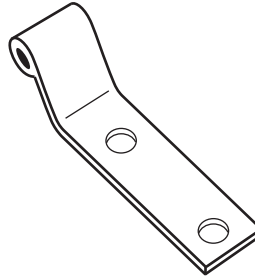
HINGE, 6-HOLE

Stoughton Number
FRU#DCF-00451



HINGE, 4-HOLE

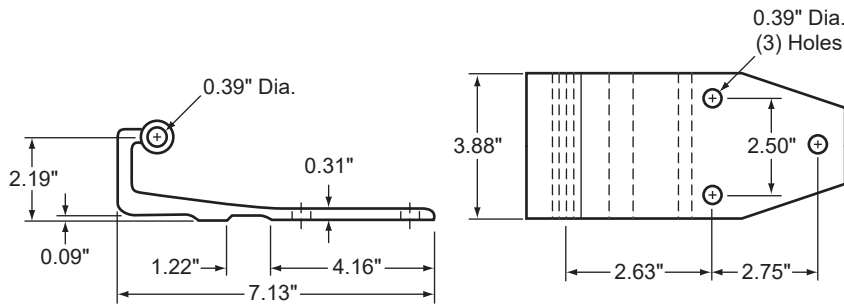
Stoughton Number
FRU#DCF-3980-1



HINGE, 2-HOLE, W/HDWR

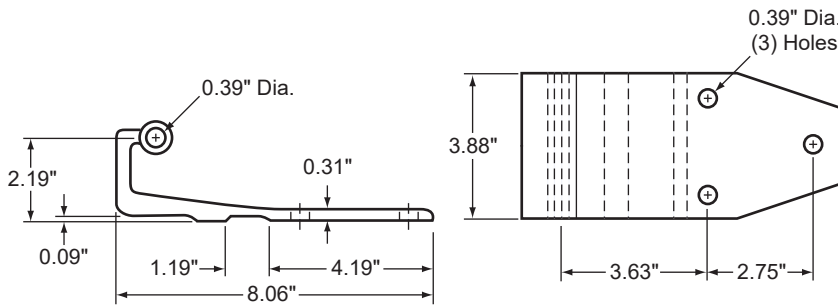
Stoughton Number
FRU#DXA-0687

Great Dane



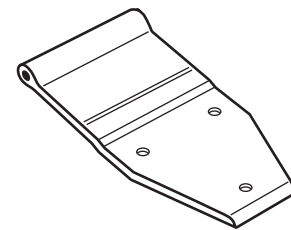
HINGE, 3-HOLE, DRY FREIGHT

Stoughton Number
GD#08138



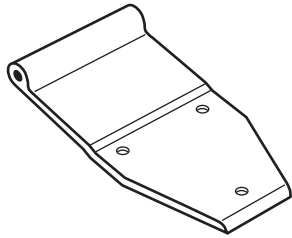
HINGE, 3-HOLE, REEFER

Stoughton Number
GD#08206



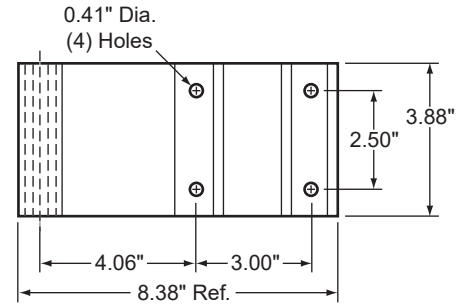
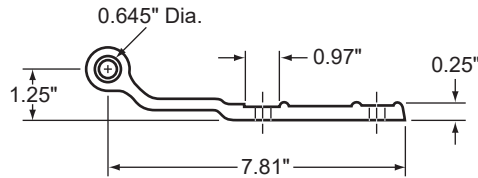
HINGE, 3-HOLE, ALUM

Stoughton Number
GD#15152



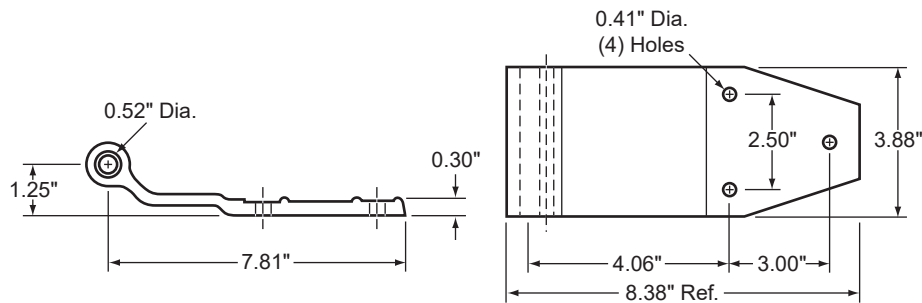
HINGE, 3-HOLE, ALUM, EXTRU

Stoughton Number
GD#47563



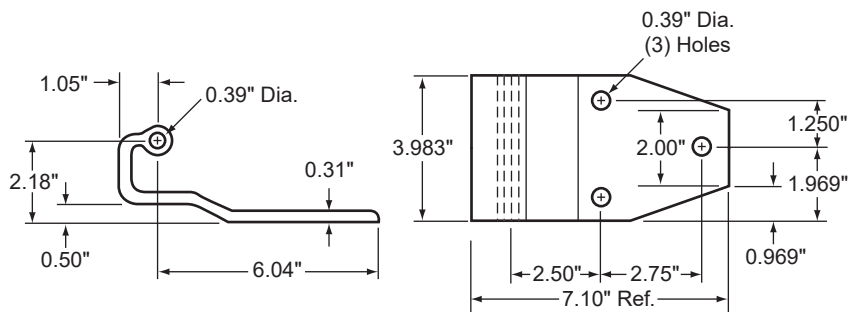
HINGE, 4-HOLE, GREAT DANE STYLE

Stoughton Number
GD#31800904



HINGE, 3-HOLE, GREAT DANE STYLE

Stoughton Number
GD#31801018

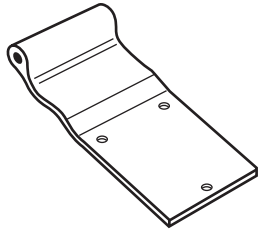


HINGE, 3-HOLE

Stoughton Number
GD#42500813

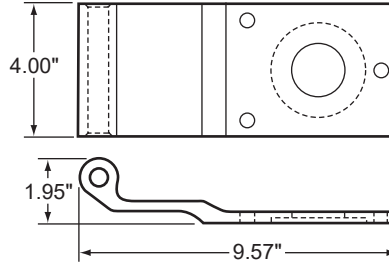
HINGES

Hyundai



HINGE, 3-HOLE, ALUM

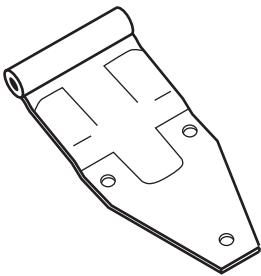
Stoughton Number
HY#1000-9668



HINGE, 3-HOLE

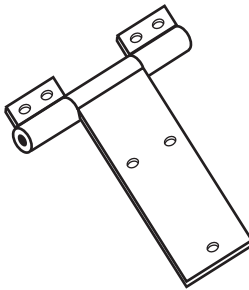
Stoughton Number
HY#2000-3977

Kentucky



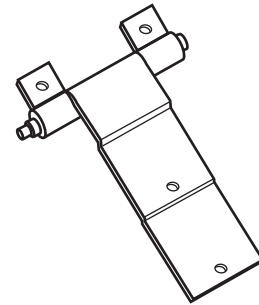
HINGE, 3-HOLE

Stoughton Number
KY#2906



HINGE, SIDE DOOR

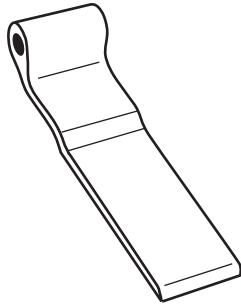
Stoughton Number
KY#6616396000



HINGE ASSY, "BELLY BOX"

Stoughton Number
KY#6616600000

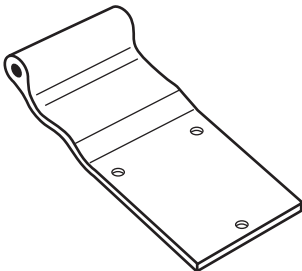
Manac



HINGE, MANAC STYLE, NO HOLES

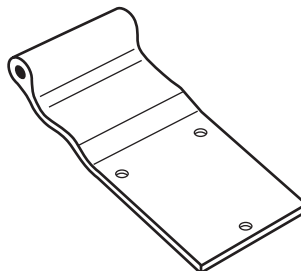
Stoughton Number
MANAC#353-239

Monon



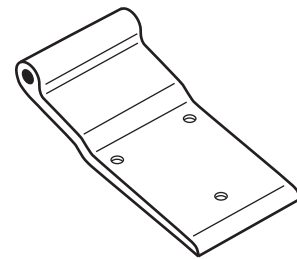
HINGE, 3-HOLE, ALUM

Stoughton Number
MON-ED045011



4" HINGE, 3-HOLE, W/NO INSERTS

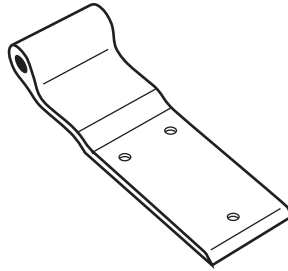
Stoughton Number
MON-ED045011 W/O



4" x 8.5" HINGE, 3-HOLE, ALUM

Stoughton Number
MON-PC1310

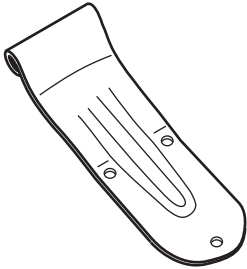
HINGES Pines



HINGE, 3-HOLE, ALUM

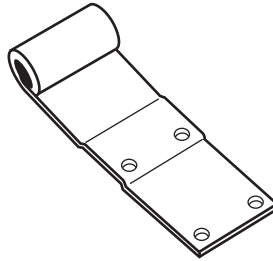
Stoughton Number
PINE AE54111
PINE REB-0395

Strick



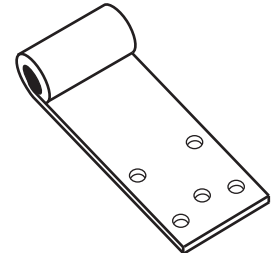
HINGE, 3-HOLE, STEEL, W/RIB

Stoughton Number
STRAA33C01060100



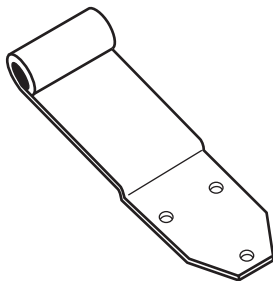
HINGE, 4-HOLE, STEEL STAMPING

Stoughton Number
STRAA35F00020100



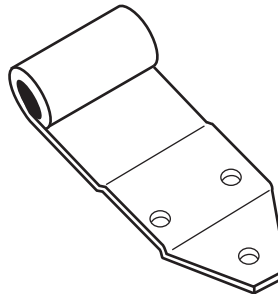
HINGE, 5-HOLE, STEEL STAMPING

Stoughton Number
STRAA35F00030100



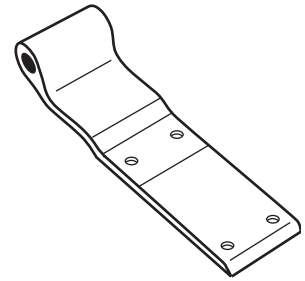
HINGE, 3-HOLE, STEEL STAMPING

Stoughton Number
STRAA35F00040100



HINGE, 3-HOLE, ALUM, W/INSERT

Stoughton Number
STRAA35F00100100

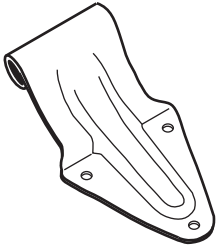


HINGE, 4-HOLE, ALUM

Stoughton Number
STRAA35F00230100

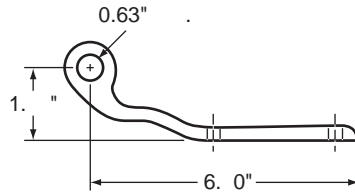
HINGES

Trailmobile



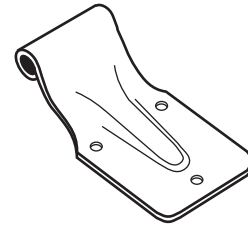
HINGE, 3-HOLE, STEEL

Stoughton Number
TM515-10-61A



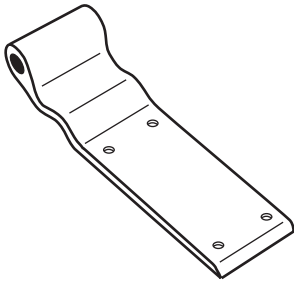
HINGE, 3-HOLE, ALUM

Stoughton Number
TM515-10-65



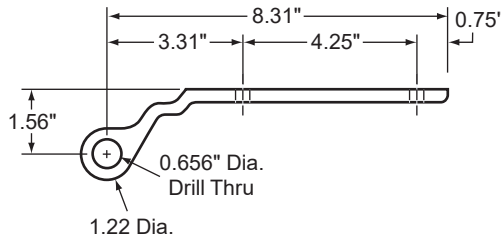
HINGE, 3-HOLE, STEEL STAMPING

Stoughton Number
TM515-10-73A



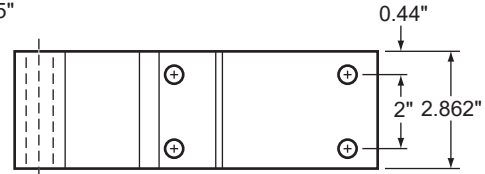
HINGE, 4-HOLE, ALUM, .250" DIA

Stoughton Number
TM515-10-78-1

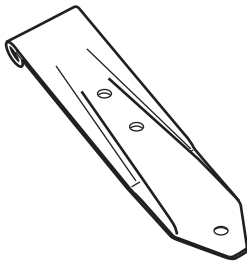


HINGE, 4-HOLE, ALUM, .375" DIA

Stoughton Number
TM515-10-78-2

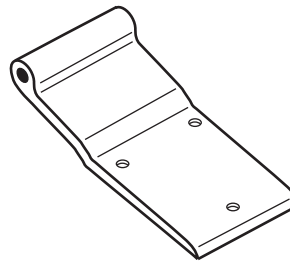


Utility



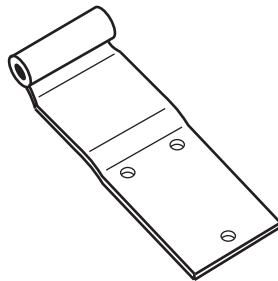
HINGE, 3-HOLE, STEEL, W/STAMPED RIB

Stoughton Number
UT-01-4950-004



4" HINGE, 3-HOLE, PUNCHED, ALUM

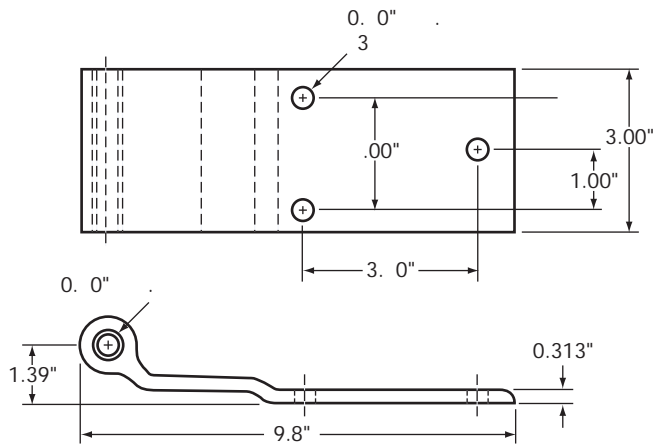
Stoughton Number
UT-03-4100-0-019



3" HINGE, 3-HOLE, PUNCHED, ALUM

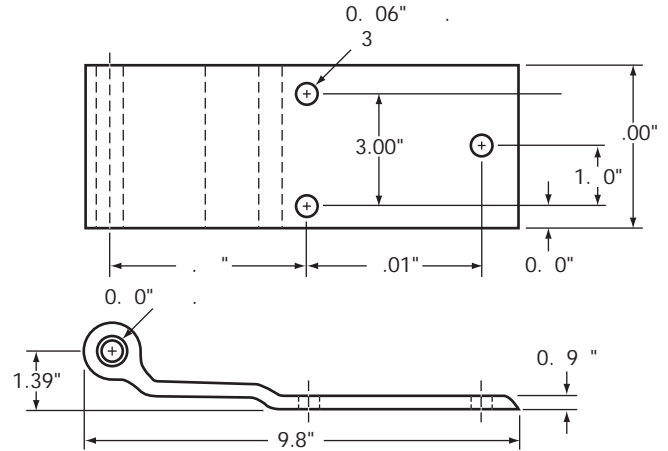
Stoughton Number
UT-03-4100-0-022

HINGES Vanguard Trailers



HINGE, 3-HOLE, ALUM W/INSERT

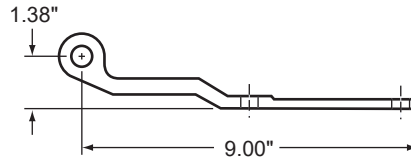
Stoughton Number
VAN-RFP00127



HINGE, 3-HOLE, ALUM

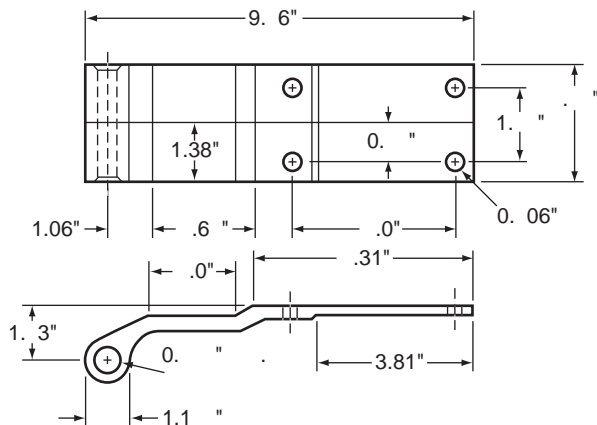
Stoughton Number
VAN-RFP00020

Wabash



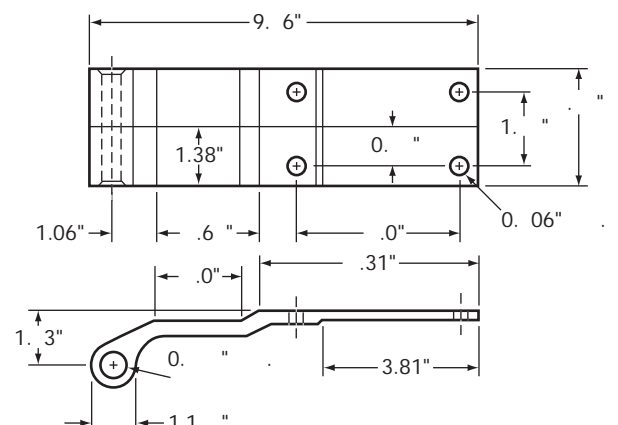
2.75" HINGE, 4-HOLE, OFFSET, ALUM

Stoughton Number
WAB-06300291



2.75" HINGE, 4-HOLE, ALUM

Stoughton Number
WAB-21100291



HINGE, 4-HOLE, ALUM

Stoughton Number
WAB-21101272

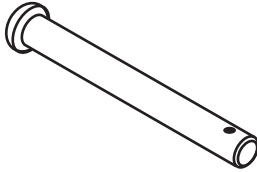
HINGE PINS

Stoughton

Stoughton Number	Description
04 86386 005 00	2 3/4"
MRHP-1054-9	4" Stainless Steel
MRHP-1054-12	4" w/ Hole*
MRHW-1054-8	Hinge Pin Washer

* Uses 04 98510 Roll Pin

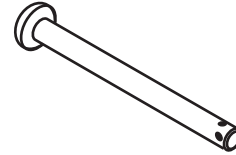
Dorsey



4" HINGE PIN

Stoughton Number
DOR-45248614

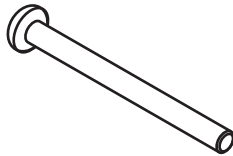
Fruehauf



5.25" HINGE PIN

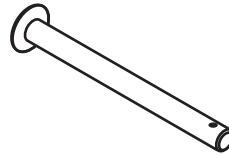
Stoughton Number
FRU#WCE007812001

Great Dane



4.5" HINGE PIN

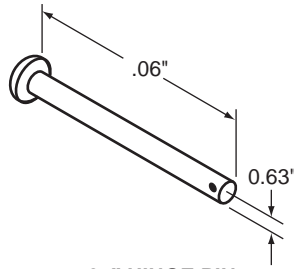
Stoughton Number
GD#3190100



.38" HINGE PIN, ROUND HEAD

Stoughton Number
GD#44573

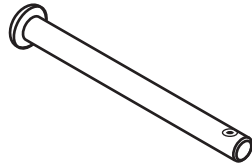
HINGE PINS Trailmobile



4.25" HINGE PIN

Stoughton Number
TM515-12-13

Utility

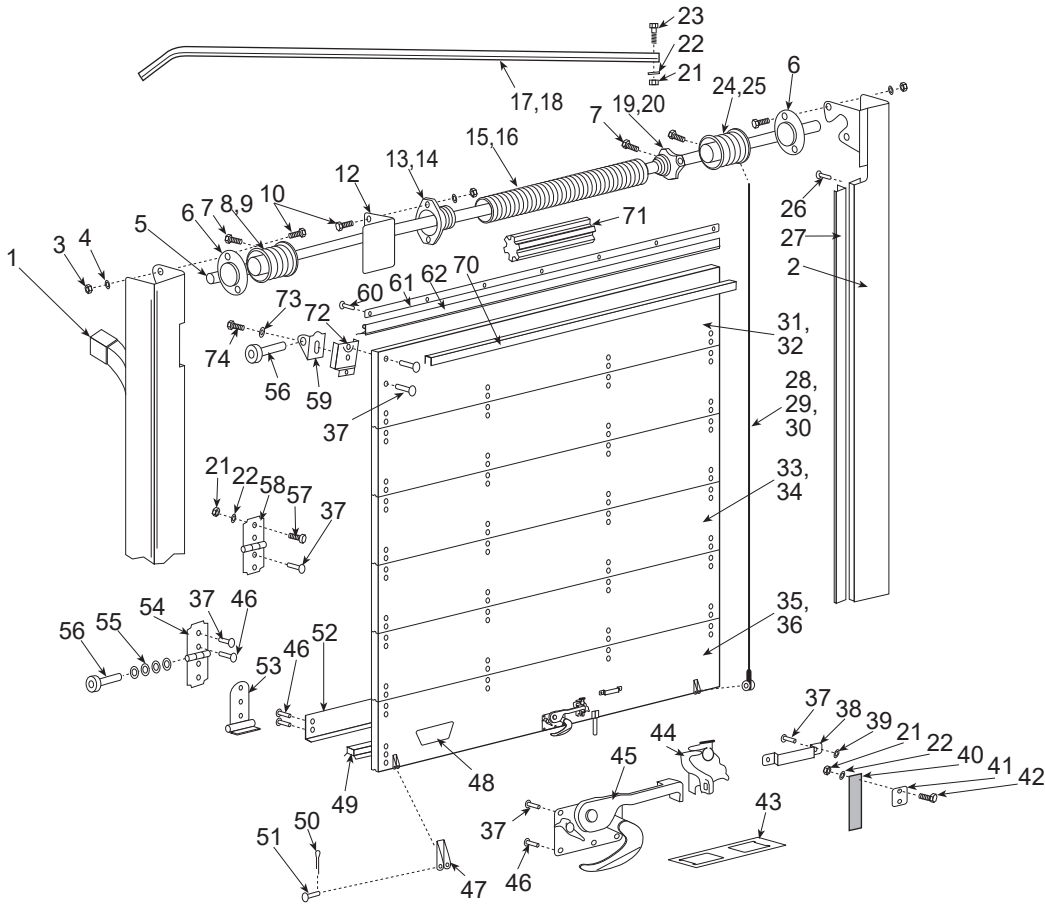


4.45" HINGE PIN, UTILITY STYLE

Stoughton Number
UT-03-6101-0-008

TODCO ROLL-UP DOOR

3/4" Dry Freight Door - Aluminum or Plastic Coated



Overhead Door Size Chart

Stoughton Number	Actual Door Size	Fits Rear Frame Opening:
T99610-1*	90" x 100"	To 87 3/4" Wide x 84" – 100" High, complete with track and operator
T99610-2*	90" x 100"	To 87 3/4" Wide x 84" – 100" High, less track and operator
T99611-1	90" x 90"	To 87 3/4" Wide x 84" – 90" High, complete with track and operator
T99611-2	90" x 90"	To 87 3/4" Wide x 84" – 90" High, less track and operator
T99836-1	98" x 100"	To 94 3/4" Wide x 90" – 100" High, complete with track and operator
T99836-2	98" x 100"	To 94 3/4" Wide x 90" – 100" High, less track and operator
T99837-1*	98" x 105"	To 94 3/4" Wide x 98" – 105" High, complete with track and operator
T99837-2*	98" x 105"	To 94 3/4" Wide x 98" – 105" High, less track and operator
T99838-1	98" x 107"	To 94 3/4" Wide x 98" – 107" High, complete with track and operator
T99838-2	98" x 107"	To 94 3/4" Wide x 98" – 107" High, less track and operator

* General Purpose Doors with 1" Rollers

Width = Opening width plus 2 1/4"

Height = Opening Height minus 1" – 4"

Minimum Clearance = 7 3/4" at Rear Header to Roof Bow

Notes: Do not count bottom gasket when measuring height of door.
Cut the Top Panel before mounting the hardware.

Notes: Please provide door serial number when calling with quote request.



TODCO PARTS LIST

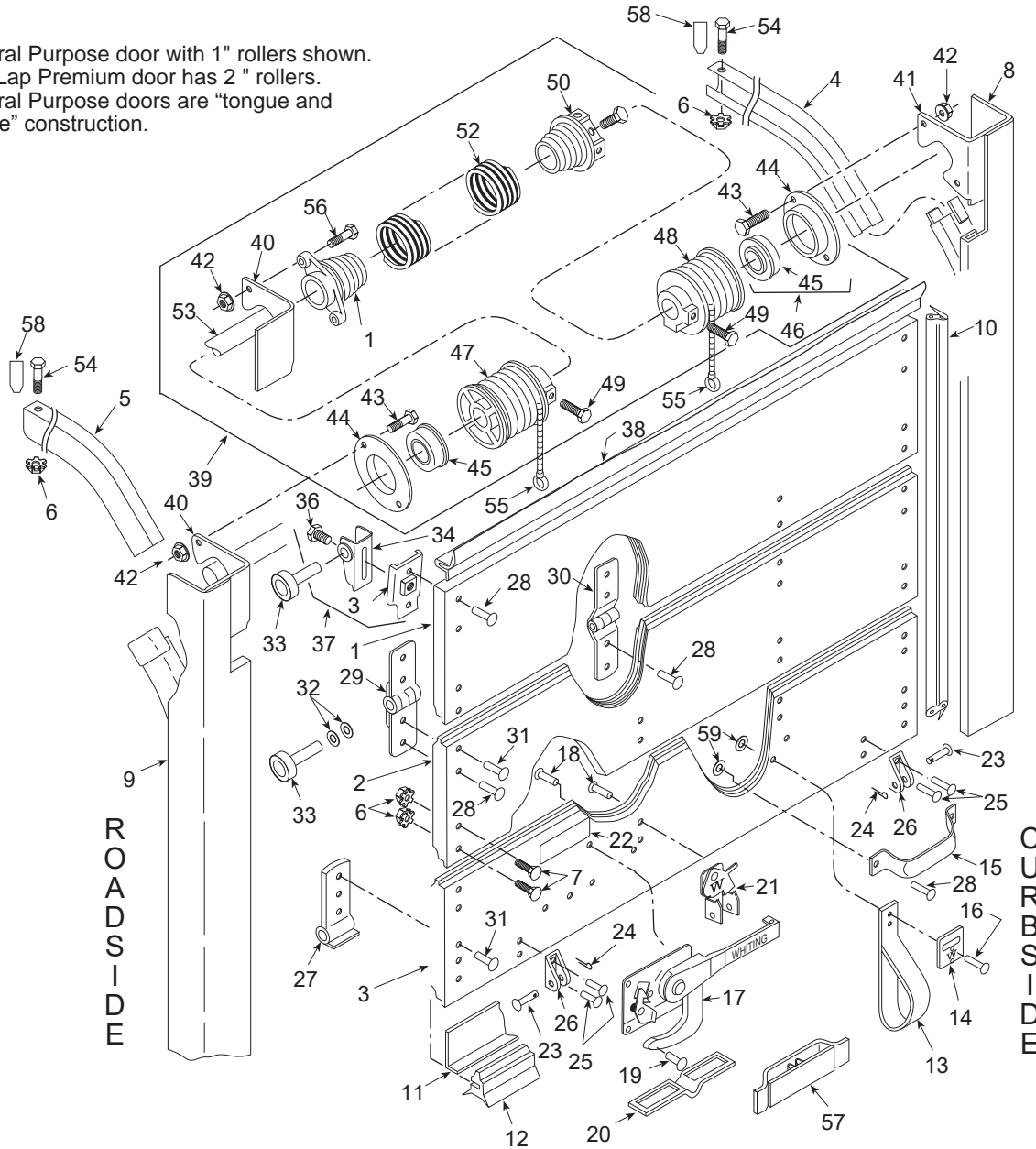
Item No.	Stoughton Number	Description
1	T49014-2	Vertical Track – Right Hand
2	T49014-1	Vertical Track – Left Hand
3	T80352-518	Hex Nut – 5/16" NC
4	T80322-319	Lockwasher – 5/16"
5	T51037	Counterbalance Shaft
6	T51038	Bearing Assembly
7	T80300-2414	Hex Head Set Screw – 3/8" NC x 7/8"
8	T59129-2	Cable Drum – Right Hand to 105" Door Height
9	T59157-4	Cable Drum – Right Hand 105" to 130" Door Height
10	T89186-3	Hex Head Bolt – 5/16" NC x 7/8"
11	–	(Omitted)
12	T51036-2	Spring Anchor Bracket
13	T51043	Spring Anchor Plug – 1 3/4" I.D. Spring
14	T59024	Spring Anchor Plug – 2 1/2" I.D. Spring
15	T51042*	Spring – 1 3/4" I.D.
16	T59031*	Spring – 2 1/2" I.D.
17	T49702-2	Horizontal Track – Right Hand
18	T49702-1	Horizontal Track – Left Hand
19	T59158	Spring Winding Plug – 1 3/4" I.D. Spring
20	T59159	Spring Winding Plug – 2 1/2" I.D. Spring
21	T80352-420	Hex Nut – 1/4" NC
22	T80322-255	Lockwasher – 1/4"
23	T89105-416	Hex Head Bolt – 1/4" NC x 2"
24	T59129-1	Cable Drum – Left Hand to 105" Door Height
25	T59157-3	Cable Drum – Left Hand 105" to 130" Door Height
26	T89100-1	Driver Rivet – 3/16" Diameter
27	T61390	Side Seal – Pair
28	T51044	Cable Assembly – to 100" Door Height
29	T59004	Cable Assembly – 100" to 105" Door Height
30	T59003	Cable Assembly – 105" to 120" Door Height
31	T29013	Top Panel – Plastic. No Hardware
32	T29017	Top Panel – Aluminum Covered. No Hardware
33	T29014	Intermediate Panel – Plastic. No Hardware
34	T29018	Intermediate Panel – Aluminum Covered. No Hardware
35	T29016**	Bottom Panel – Plastic
36	T29020**	Bottom Panel – Aluminum Covered
37	T89210-0032	Rivet – 1"
38	T61401	Lift Handle
39	T80302-1720	Flat Washer – 1/4" Diameter
40	T80844	Pull Strap
41	T69832	Pull Strap Retainer
42	T89004-1	Splined Carriage Bolt – 1/4" x 1 1/2"
43	T70093	Catch Box
44	T69572	Keeper Assembly
45	T69571	Maximum Security Lock Assembly
46	T89210-0036	Rivet – 1 1/8"
47	T61204	Cable Anchor Bracket
48	T69793	Name Plate
49	T80840	Bottom Seal
50	T80401-316	Cotter Pin – 3/32" Diameter
51	T61026	Cable Anchor Pin
52	T61191	Bottom Angle
53	T61352	Bottom Fixture
54	T69035	End Hinge
55	T80020	Spacer Washer – Roller
56	T61174	Roller
57	T80015-1610	Step Bolt – 1/4" x 1 1/4"
58	T61196	Center Hinge
59	T69431	Slide – Adjustable Top Fixture
60	T89100-2	Drive Rivet
61	T61403	Retainer – Head Seal
62	T61402	Head Seal
70	T69314	Top Channel
71	T59092	Filter Plug – 2 1/2" I.D. Spring
72	T69432	Base – Adjustable Top Fixture
73	T80302-2436	Flat Washer – 3/8"
74	T89049	E-Lok Bolt – 3/8" NC

- * Give spring length and number of coils in 10" of spring when ordering.
- ** Includes Bottom Seal, Bottom Roller Holders and Bottom Angle, drilled for lock. Does *not* include Lock, Pull Strap, Lift Handle or Cable Anchors.

WHITING GENERAL PURPOSE ROLL-UP-DOOR

3/4" Dry Freight Door - General Purpose

General Purpose door with 1" rollers shown.
 Ship-Lap Premium door has 2" rollers.
 General Purpose doors are "tongue and groove" construction.



Overhead Door Size Chart

Stoughton Number	Actual Door Size	Fits Rear Frame Opening:
WGP90X90	90" x 90"	To 87 3/4" Wide x 84" – 90" High, less track and operator
WGP90X90KIT	90" x 90"	To 87 3/4" Wide x 84" – 90" High, complete with track and operator
WGP96X100	96" x 100"	To 93 3/4" Wide x 91" – 100" High, less track and operator
WGP96X100KIT	96" x 100"	To 93 3/4" Wide x 91" – 100" High, complete with track and operator
WGP96X107	96" x 107"	To 93 3/4" Wide x 98" – 107" High, less track and operator
WGP96X107KIT	96" x 107"	To 93 3/4" Wide x 98" – 107" High, complete with track and operator

Width = Wall to wall width minus 2 5/8"
 Height = Opening Height minus 1" – 4"
 Minimum Clearance = 7 3/4" at Rear Header to Roof Bow

Notes: Do not count bottom gasket when measuring height of door.

Notes: Please provide door serial number when calling with quote request.

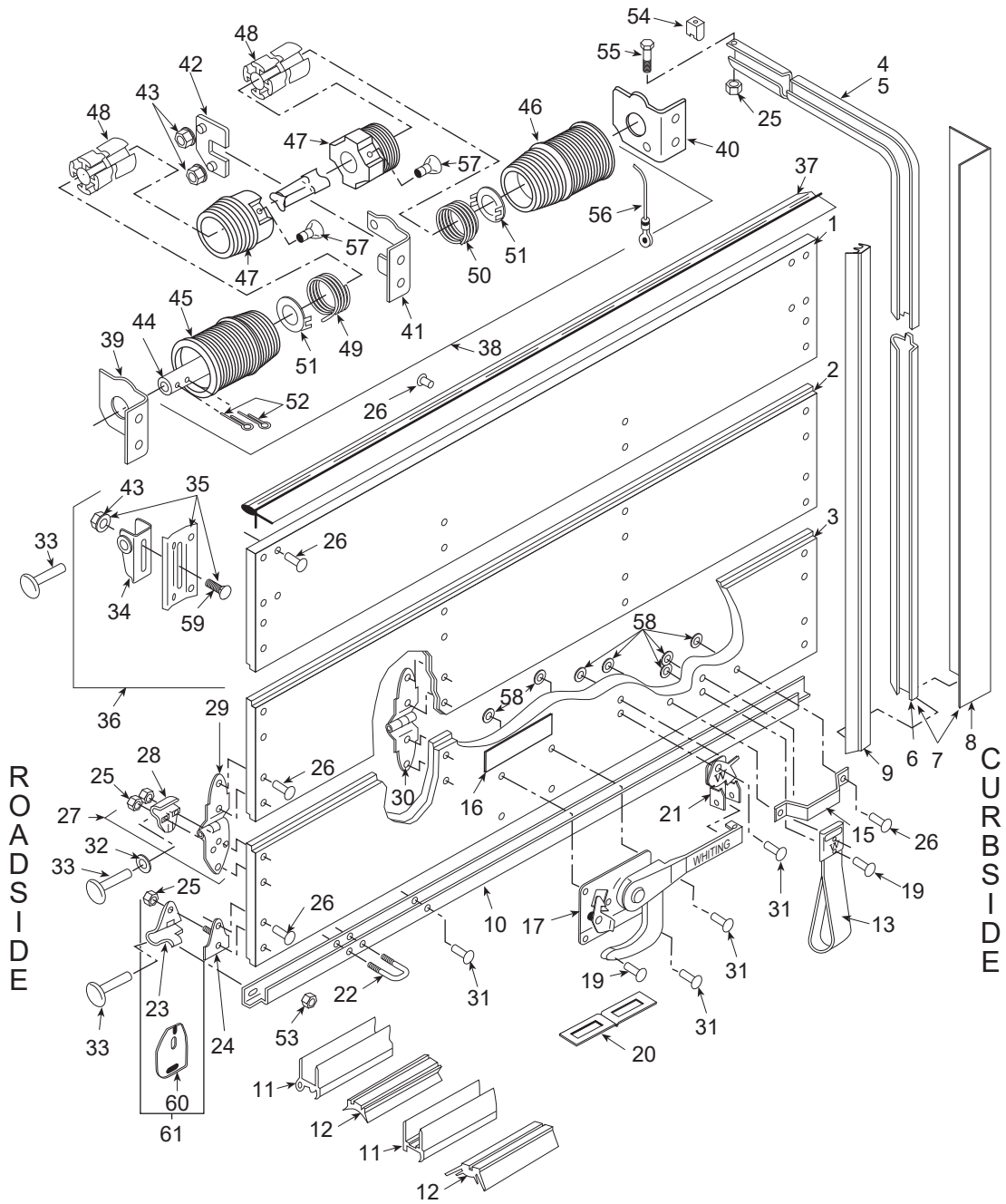


WHITING GENERAL PURPOSE PARTS LIST

Item No.	Stoughton Number	Description
1	W4441	Top Panel – Plastic – Complete [Specify length and width]
1	W4429	Top Panel – Aluminum Clad – Complete [Specify length and width]
2	W4042	Intermediate Panel – Plastic – No Hardware [Specify length and width]
2	W4130	Intermediate Panel – Aluminum Clad – No Hardware [Specify length and width]
3	W4445	Bottom Panel – Plastic – Complete [Specify length and width]
3	W4433	Bottom Panel – Aluminum Clad – Complete [Specify length and width]
4	W4053	Horizontal Track – Left Hand – Curbside [Specify length]
5	W4052	Horizontal Track – Right Hand – Roadside [Specify length]
6	W10-1022-1	Hex Nut – Self – locking – 1/4 NC
7	W10-1003-11	Step Bolt
8	W4046	Vertical Track & Mounting Angle Assembly – Left Hand – Curbside [Specify length of each]
9	W4045	Vertical Track & Mounting Angle Assembly – Right Hand – Roadside [Specify length of each]
10	W4019	Side Seal – Each [Specify length]
11	W4034	Bottom Angle Seal Retainer – No Holes [Specify length]
12	W3257	Bottom Seal [Specify length]
13	W9723	Pull Strap – 19" with #W7575 Retainer
13	W9723-1	Pull Strap – 32" with #W7575 Retainer
13	W9723-2	Pull Strap – 42" with #W7575 Retainer
14	W7575	Pull Strap Retainer
15	W1715	Lift Handle
16	W10-1002-4	Rivet – 1/4 x 1 3/16 x 3/4" Head
17	W4077	Cam Lock, No Keeper
18	W10-1002-42	Rivet – 1/4 x 1 1/16 x 3/4" Head
19	W10-1002-11	Rivet – 1/4 x 1 1/8 x 1/2" Head
20	W4021	Latch Plate
21	W7515	Keeper Assembly
22	W3034	"Do Not Move" Decal
23	W10-1004-2	Cable Anchor Clevis Pin
24	W10-1009-5	Cotter Pin
25	W10-1002-9	Rivet – 1/4 x 1 5/16 x 1/2" Head
26	W4004	Cable Anchor Bracket
27	W4003	Bottom Roller Fixture
27	W8813	Bottom Roller Fixture, High Strength, 2 Piece, Roadside
27	W8814	Bottom Roller Fixture, High Strength, 2 Piece, Curbside
28	W10-1002-3	Rivet – 1/4 x 1 x 3/4" Head – Steel
28	W10-1002-73	Rivet 1/4 x 1 1/16 x 3/4" Head – Aluminum
29	W4007	End Hinge
29	W8656	End Hinge – High Strength
30	W4012	Center Hinge
30	W8654	Center Hinge – High Strength
31	W10-1002-36	Rivet – 1/4 x 1 1/8 x 3/4" Head – Steel
31	W10-1002-54	Rivet – 1/4 x 1 1/8 x 3/4" Head – Aluminum
32	W6	Spacer Washer – Roller
33	W4027	Rivet – 1" Stamped, Steel
34	W4038	Slide – Adjustable Top Fixture
34	W8652	Slide – Adjustable Top Fixture – High Strength
35	W4051	Base – Adjustable Top Fixture
36	W10-1073-2	Bolt – Adjustable Top Fixture
37	W4039	Adjustable Top Fixture Assembly – Complete
38	W4032	Top Seal [Specify length]
39	W4090	Balancer Assembly – Complete Less Mounting Brackets [Does NOT include Nos. 40, 46, & 55] [Specify door dimensions]
40	W4028	Balancer Mounting Bracket – Right Hand – Roadside & Center
41	W4029	Balancer Mounting Bracket – Left Hand – Curbside
42	W10-1063-1	Hex Nut – Self-locking – 5/16 NC
43	W10-1010-8	Bolt – 5/16 NC x 5/8"
44	W4032	Bearing Retainer
45	W10-1025-4	Bearing
46	W4033	Bearing & Retainer Assembly – 1" Ball Bearing
47	W4014	Cable Drum – 3" Diameter – Roadside – Right Hand – Up to 105" Door
47	W4128	Cable Drum – 3" Diameter – Roadside – Right Hand – Up to 144" Door
48	W4013	Cable Drum – 3" Diameter – Curbside – Left Hand – Up to 105" Door
48	W4127	Cable Drum – 3" Diameter – Curbside – Left Hand – Up to 144" Door
49	W2699	Hex Head Set Screw – 3/8 NC x 7/8"
50	W4050	Spring Winding Plug – 1 3/4"
51	W4025	Spring Winding Plug – 1 3/4"
52	W2701	Torsion Spring – 1 3/4" Diameter [Specify size]
53	W3100	Counterbalance Shaft [Specify length]
54	W10-1010-31	Hex Head Bolt – 1/4 NC x 2"
55	W4020-1	Stainless Steel Cable Assembly – 1/4 Eye, 115" – Up to 105" Door
56	W10-1010-9	Hex Head Bolt – 5/16 NC x 1"
57	W4024	Catch Box
58	W4204	1" Track Stop Bumper
59	W10-1006-1	Washer

WHITING PREMIUM ROLL-UP-DOOR

3/4" Dry Freight Door - Aluminum Clad or Premium Plastic



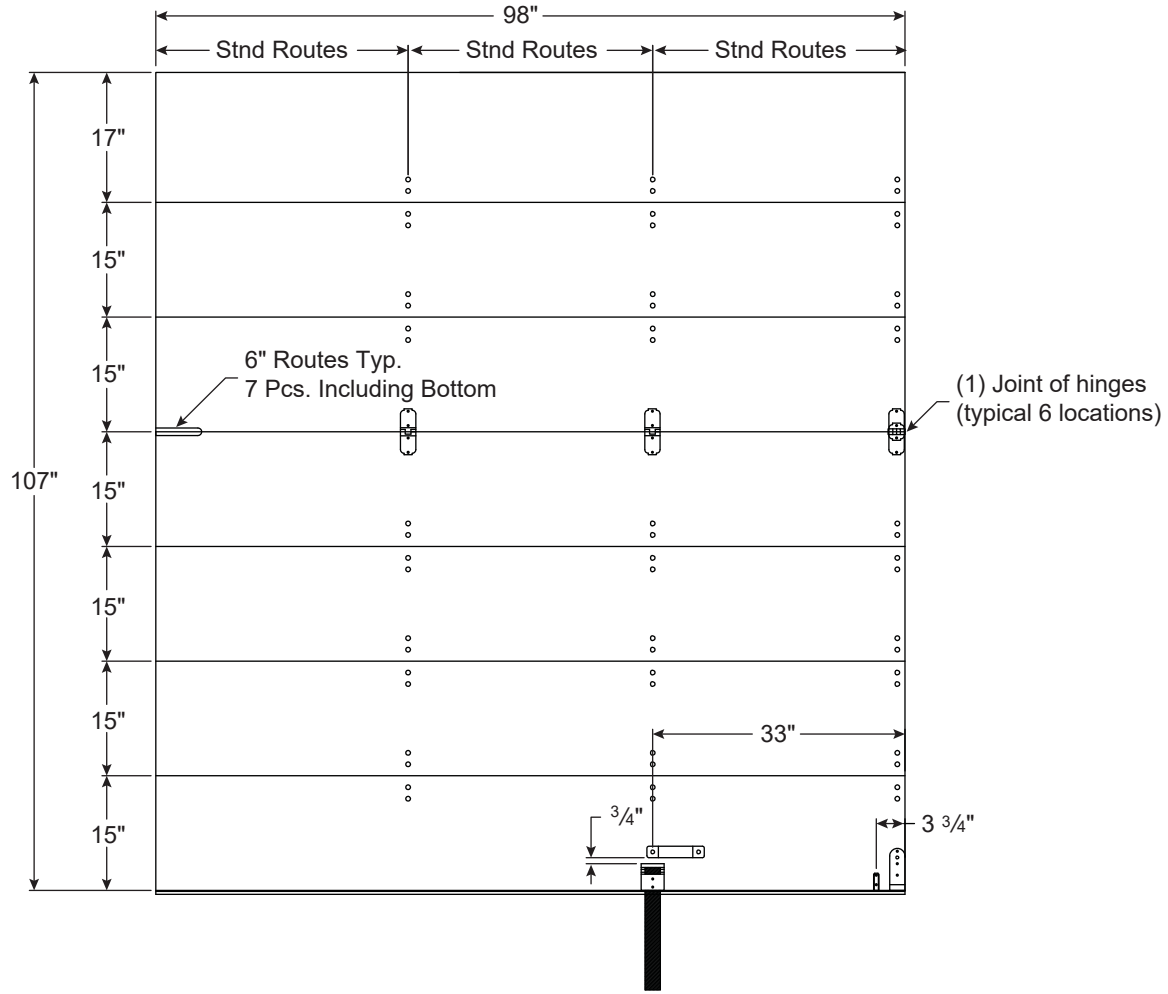


WHITING PREMIUM PARTS LIST

Item No.	Stoughton Number	Description
1	W241	Top Panel Complete – Plastic – Ship Lap Joint [Specify length and width]
1	W341	Top Panel Complete – Plastic – Tongue & Groove Joint [Specify length and width]
1	W251	Top Panel Complete – Aluminum – Ship Lap Joint [Specify length and width]
1	W352	Top Panel Complete – Aluminum – Tongue & Groove Joint [Specify length and width]
2	W242	Intermediate Panel – Plastic – Ship Lap Joint [Specify length and width]
2	W342	Intermediate Panel – Plastic – Tongue & Groove Joint [Specify length and width]
2	W252	Intermediate Panel – Aluminum – Ship Lap Joint [Specify length and width]
2	W352	Intermediate Panel – Aluminum – Tongue & Groove Joint [Specify length and width]
3	W248	Bottom Panel Complete, with Seal - Plastic - Ship Lap Joint [Specify length and width]
3	W348	Bottom Panel Complete, with Seal - Plastic - Tongue & Groove Joint [Specify length and width]
3	W258	Bottom Panel Complete, with Seal - Aluminum - Ship Lap Joint [Specify length and width]
3	W358	Bottom Panel Complete, with Seal - Aluminum - Tongue & Groove Joint [Specify length and width]
4, 5	W11-XX	2" Horizontal Track [Specify length, radius & curbside or roadside]
6	W1031	2" Vertical Track –Roadside or Curbside [Specify length]
7	W2275-1	Vertical Track & Mounting Angle Assembly – Curbside [Specify length and size of each]
7	W2275-2	Vertical Track & Mounting Angle Assembly– Roadside [Specify length and size of each]
8	WXX	Mounting Angle [Specify length and size]
9	W5423	Side Seal, Vinyl, Drive In Style [Specify length]
10	W18-3	Bottom U Channel– Steel [Specify length, balancer type and lock type]
11	W1801	Bottom U Channel Seal Retainer–Aluminum [Specify length, balancer type and lock type]
11	W8280-2	Bottom U Channel Seal Retainer– Aluminum [Specify length, balancer type and lock type]
12	W1676	Bottom Seal [Specify length] for use with W1801 Channel
12	W5735	Bottom Seal [Specify length] for use with W8280–2 Channel
13	W9723-XX	Pull Down Strap [Specify door height]
15	W1715	Grab Handle
16	W3034	"Do Not Move" Decal
17	W77	Lock Assembly– No Keeper
19	W10-1002-9	Rivet– 1/4 x 1 5/16" – 1/2 HD
19	W10-1002-49	Rivet 1/4 x 9/32" – 1/2 HD Stainless Steel
20	W2804	Latch Plate
21	W7515	Handle Keeper
22	W70-13	Cable Anchor– 1 1/4" U–Bolt
23	W1021	Bottom Roller Shaft Cover
24	W1370	Bottom Roller Bracket Stud Plate
25	W10-1022-1	Keq Nut 1/4 x 20
26	W10-1002-3	Rivet 1/4 x 1" – 3/4 HD Cadium Plated Steel
26	W10-1002-23	Rivet 1/4 x 1 1/32" – 3/4 HD Stainless Steel
26	W10-1002-73	Rivet 1/4 x 1 1/16" – 3/4 HD Aluminum
27	W1209	Roller Hinge Complete with Cover Clamp and Nuts
28	W1208	Roller Hinge Cover Clamp
29	W1207	Roller Hinge
30	W15	Center Hinge
31	W10-1002-11	Rivet– 1/4 x 1 1/8" – 1/2 HD
32	W6	Spacer Washer
33	W3228	2" Nylon Roller
33	W2996	2" Steel Roller
34	W6943	Top Closure Slide
35	W1264	Top Closure Base with Nuts and Bolts
36	W6944	Top Closure Assembly Complete
37	W4032	Top Seal [Specify length]
38	W2376	Balancer Assembly [Less items 39–43, 52, 56] [Specify wire size, spring length and shaft length]
39	W2524	Balancer Bracket – Roadside
40	W2523	Balancer Bracket – Curbside
41	W2525	Balancer Bracket – Center
42	W2526	Balancer Bracket Clamp
43	W10-1063-1	Self Locking Nut – 5/16 – 18
44	W2528	Balancer Shaft [Specify length]
45	W2547	Cable Drum and Bearing Assembly (W2901) – Roadside
46	W2548	Cable Drum and Bearing Assembly (W2902) – Curbside
47	W2518	Winding Cone
48	W2471	Spring Spacer (Cut to Relaxed Spring Length + 4 1/4")
49	W2704	Torsion Spring – Roadside – Left Hand Wound [Specify size]
50	W2705	Torsion Spring – Curbside – Right Hand Wound [Specify size]
51	W2522	Thrust Washer
52	W10-1009-8	Cotter Pin – 3/16 x 1 1/2"
53	W10-1033-2	Self Locking Nut 5/16" x 18"
54	W83	2" Track Stop Bumper
55	W10-1010-3	Bolt – 1/4 – 20 x 2 1/2"
56	W1-XX	1/8" Stainless Steel Cable with 5/16" Eye [Specify door height]
57	W2699	Set Screw – 3/8 – 16 x 5/8"
58	W10-1006-1	Washer – 1/4 x 3/4"
59	W2370	Bolt – 5/16 x 5/8"
60	W5726	Wear Plate – for Doors with Bottom Seal
61	W1371	Complete Bottom Bracket with Cover

TRANSGLOBAL UNIVERSAL ROLL-UP-DOOR

98" x 107" Universal Door – White – TG98X107PPW





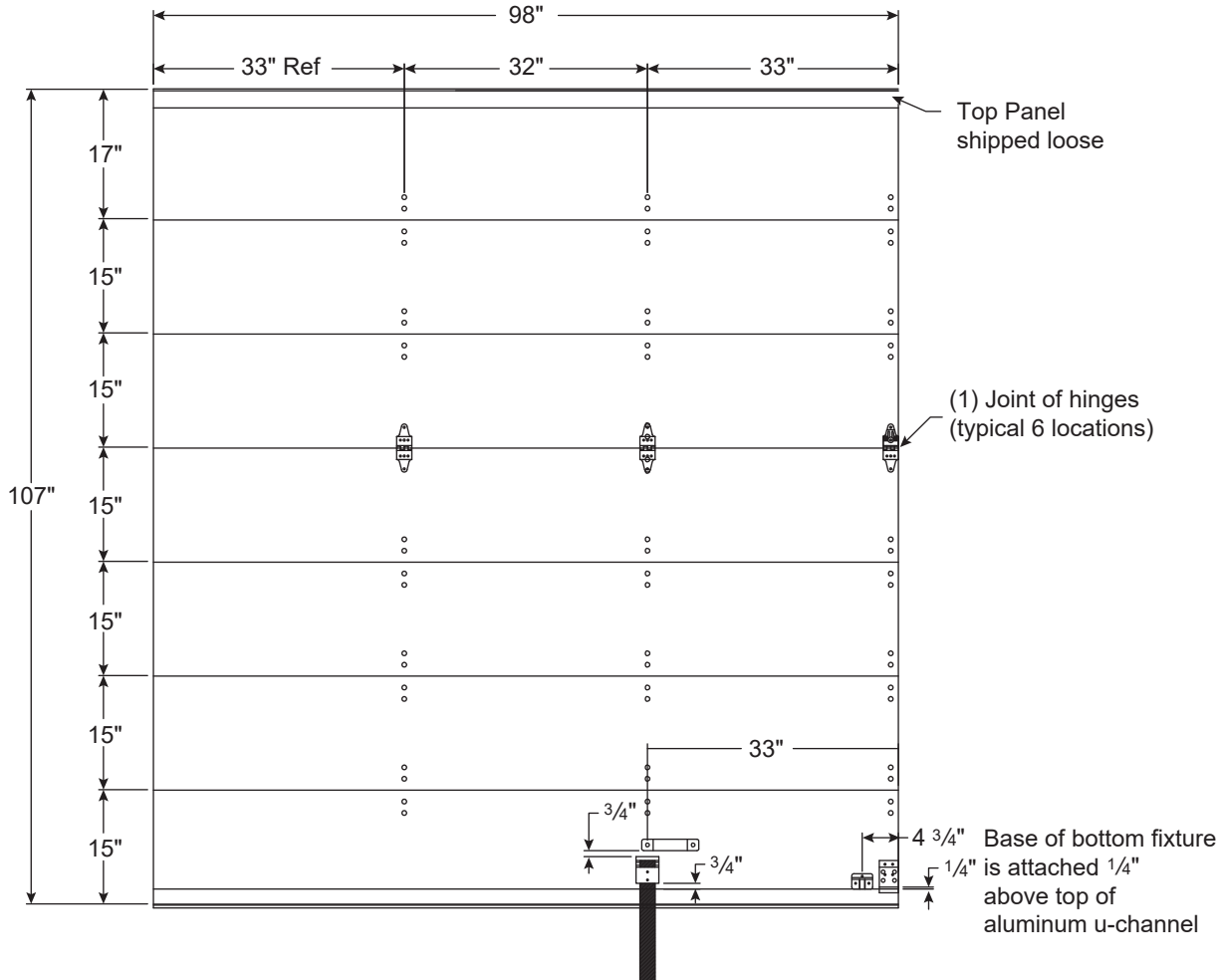
TRANSGLOBAL UNIVERSAL PARTS LIST

Quantity	Stoughton Number	Description
Attached Hardware		
(6)	TG-69035	End Hinge
(12)	TG-61196	Center Hinge
(1)	TG-61352	Bottom Fixture (3-1 ¹ / ₈ "
(1)	TG-4004	Cable Anchor Bracket – Black (2 – 1 ¹ / ₈ "
(1)	TG-1715	Lift Handle – Black
(1)	TG-80844-19	19" Pull Strap (2 – 1 ¹ / ₈ "
(1)	TG-99991-93	93" Bottom Angle Steel
(1)	TG-80840	Bottom Rubber (Uncut)
(77)	TG-89210-32	1" Tubular Steel Rivets
(7)	TG-89210-36	1 ¹ / ₈ " Tubular Steel Rivets
Loose Hardware		
(18)	TG-89210-32	1" Tubular Steel Rivets
(21)	TG-89210-36	1 ¹ / ₈ " Tubular Steel Rivets
(8)	TG-80015-1610	1 ¹ / ₄ " Step Bolts
(12)	TG-80020	Spacer Washers
(2)	TG-61026	Cable Anchor Pins
(2)	TG-80401-316	Cotter Pins
(8)	TG-89231-2	1 ¹ / ₄ " Kep Nuts
(16)	TG-61174	1" Steel Rollers
(1) Pair	TG-913041	130" Galvanized Cables
(2)	TG-61403	Header Seal Retainer 96"
(1)	TG-61402	Header Seal
(1)	TG-69571	Maximum Security Lock (2 – 1", 3 – 1 ¹ / ₈ "
(1)	TG-69572	Keeper
(6)	TG-69035	End Hinge
(1)	TG-61352	Bottom Fixture (3 – 1 ¹ / ₈ "
(1)	TG-4004	Cable Anchor Bracket – Black (2 – 1 ¹ / ₈ "
(2)	TG-69433	Adjustable Top Fixture Complete



TRANSGLOBAL UNIVERSAL FLUSH MOUNT ROLL-UP-DOOR

98" x 107" Universal Door – Flush Mount Hardware – White – TG-98X107 WH



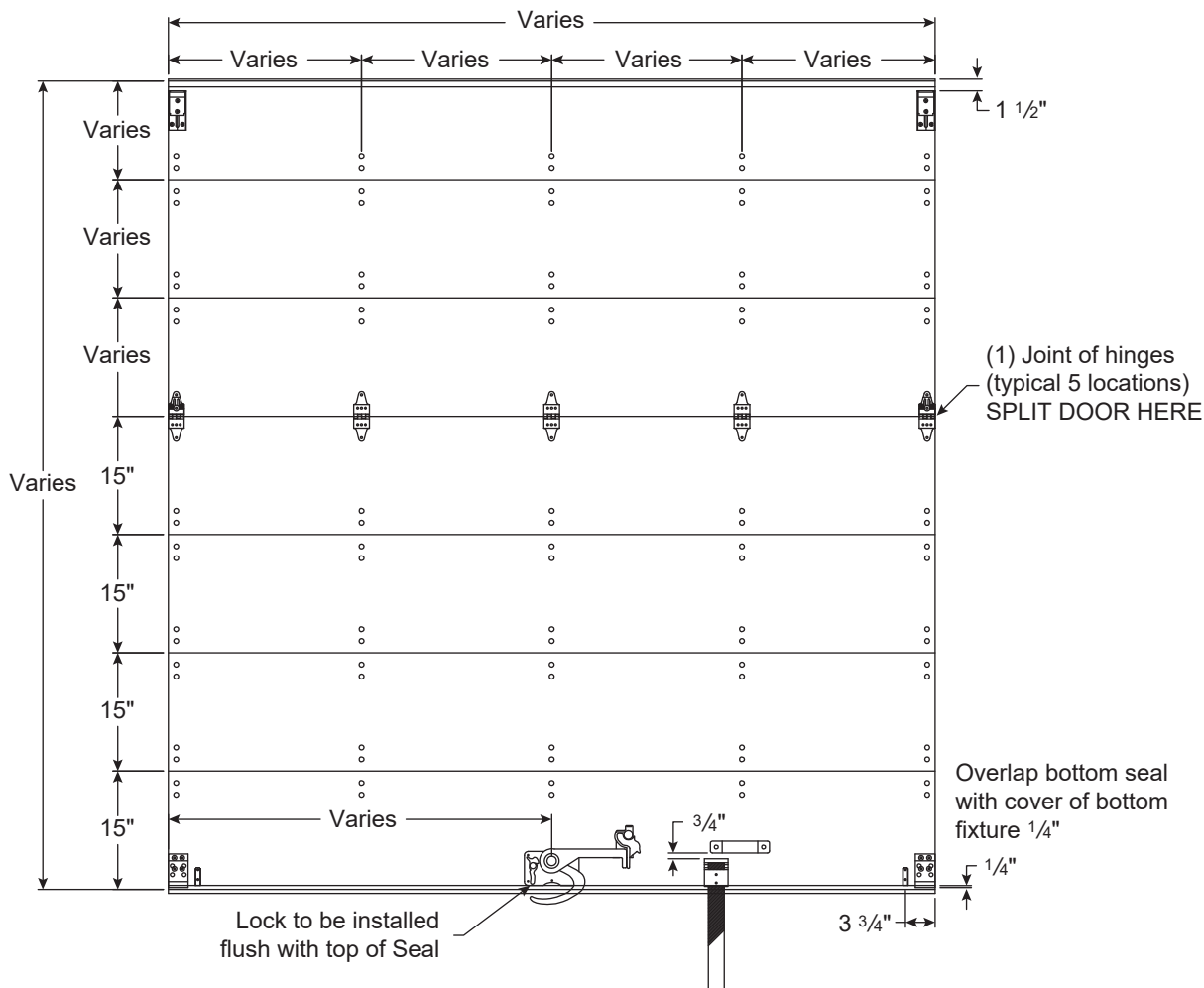


TRANSGLOBAL UNIVERSAL FLUSH MOUNT PARTS LIST

Quantity	Stoughton Number	Description
Attached Hardware		
(6)	TG-1209-A	Roller Hinge Complete (24 – 1")
(12)	TG-15	Center Hinge (24 – 1")
(1)	TG-5600-2.5	Heavy Duty Bottom Fixture (2 – 7/8" and 2 – 1")
(1)	TG-5803	Heavy Duty Cable Anchor Bracket – Black (1 – 1", 2 – 1 1/4")
(1)	TG-1715	Lift Handle – Black (2 – 1")
(1)	TG-9723-19-2	19" Pull Strap (2 – 1")
(1)	TG-8280-2	Aluminum Retainer (4 – 1 1/8")
(1)	TG-5735	Bottom Seal
(73)	TG-89210-32	1" Tubular Steel Rivets
(4)	TG-89210-36	1 1/8" Tubular Steel Rivets
(2)	TG-89210-40	1 1/4" Tubular Steel Rivets
Loose Hardware		
(45)	TG-89210-32	1" Tubular Steel Rivets
(7)	TG-89210-40	1 1/4" Tubular Steel Rivets
(2)	TG-6944	Whiting Top Fixture
(8)	TG-80015-1610	1 1/4" Step Bolts
(16)	TG-80020	Spacer Washers
(2)	TG-61026	Cable Anchor Pins
(2)	TG-10-1004-1	Cotter Pins (5/16")
(8)	TG-89231-2	1/4" Kep Nuts
(16)	TG-2996	2" Steel Rollers
(1) Pair	TG-913042	130" Galvanized Cables
(1)	TG-61403	Header Seal Retainer 96"
(1)	TG-61402	Header Seal
(1)	TG-77	Lock Assembly
(1)	TG-7515	Keeper
(6)	TG-1209-A	Roller Hinge Complete
(1)	TG-5600-2.5	Heavy Duty Bottom Fixture (2 – 1", 2 – 1 1/8")
(1)	TG-5803	Heavy Duty Cable Anchor Bracket

TRANSGLOBAL EXTREME DUTY ROLL-UP-DOOR

98" x 105" x 0.5" x 1" Extreme Duty White Composite Door



Extreme Duty Composite Roll-Up Doors Feature...

- Five year limited warranty
- Designed specifically to work with our REVOLUTIONARY HEAVY DUTY, PATENT U.S. PAT # 7,681,284B1 HINGES, which are six times stronger than conventional hinges available on the market
- Tongue & groove design for maximum cargo protection
- Hardware is e-coated to a minimum of 1,000 hour salt spray for corrosion resistance; fasteners are aluminum or stainless steel
- Composite panels are paintable
- 100 percent recyclable materials

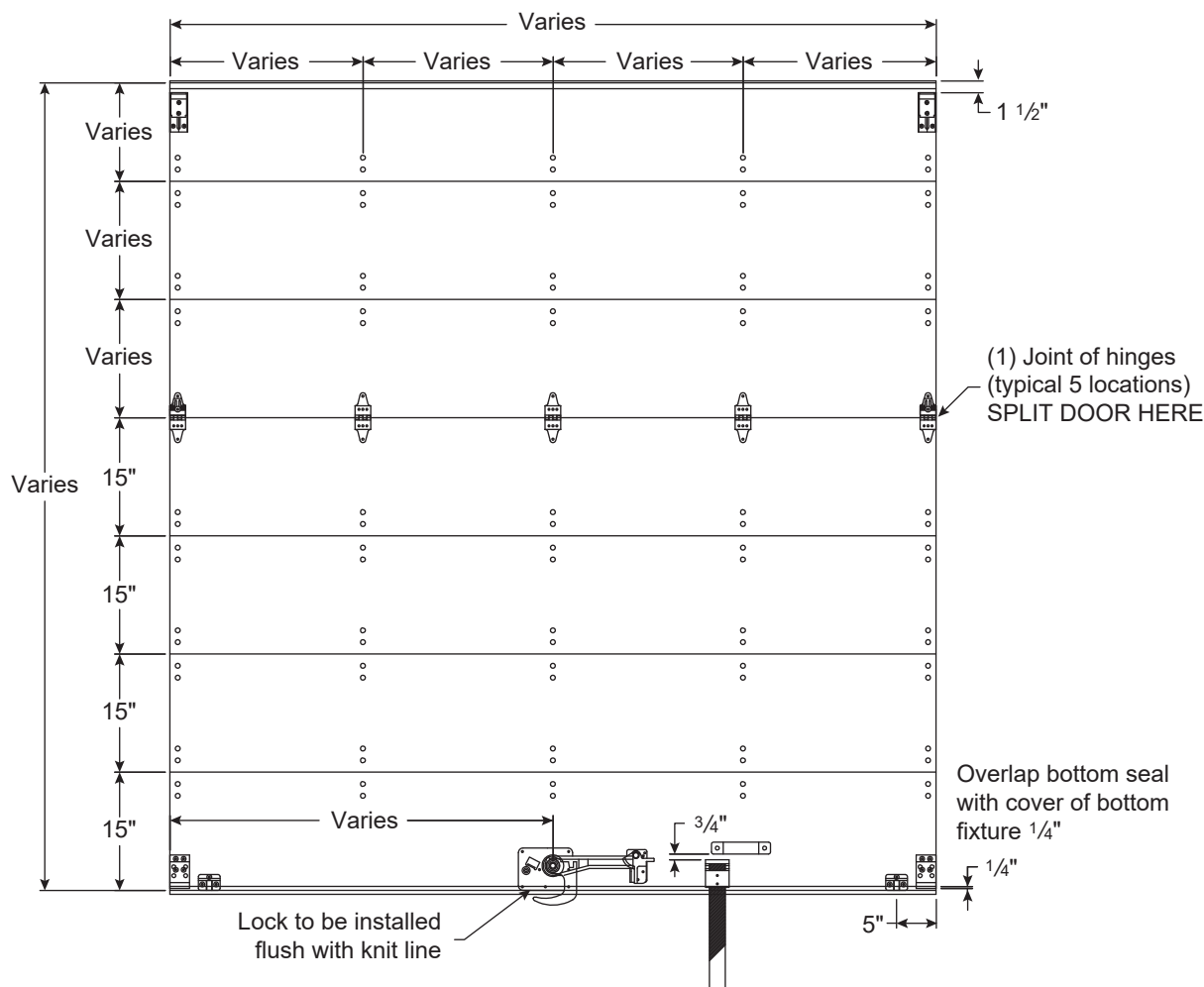


TRANSGLOBAL EXTREME DUTY PARTS LIST

Quantity	Stoughton Number	Description
Attached Hardware		
(1)	TG-70001-5	1/2" Dual Durometer Top Panel Seal (Glue and Fasten 8" O.C.)
(2)	TG-1264	Top Closure Base
(10)	TG-HD1209-A	HD Roller Hinge Complete
(2)	TG-HD1207-2	Half of a Roller Hinge
(2)	TG-1208	Roller Hinge Cover
(15)	TG-HD15	HD Center Hinge
(8)	TG-HD15-2	Half of a Center Hinge
(1)	TG-1715	Lift Handle Black
(1)	TG-9723-24-1	24" Black Pull Strap, No Loop
(2)	TG-4004	Cable Anchor Bracket, Black
(2)	TG-HD-5600-2.5	HD Bottom Fixture
(1)	TG-69571	MS Lock Assembly
(1)	TG-69572	Lock Keeper Assembly
(1)	TG-61193	Bottom Angle for .50" Comp. (Bottom)
(48)	TG-80840-1	Bottom Rubber (Uncut)
(1) Pair	TG-913041	Cable 105" 7x7 Galvanized 1/4" Nylon Eye
(2)	TG-61026	1/4" x 1" Cable Anchor Pin
(2)	TG-80401-316	3/32" x 1" Cotter Pin
Loose Hardware		
(16)	TG-61174	1" Steel Rollers
(16)	TG-80020	Spacer Washers
(1)	TG-70093	Catch Plate – MS Lock
(5)	TG-10-1009-2	Center Pins for Flush Mount Hinges
(5)	TG-10-1004-2	1/4" Rue Ring Cotter Pin
(2)	TG-6943	Top Closure Slide

TRANSGLOBAL EXTREME DUTY ROLL-UP DOOR

Stoughton – 98" x 105" x 0.5" x 2" Extreme Duty White Composite Door



Extreme Duty Composite Roll-Up Doors Feature...

- Five year limited warranty
- Designed specifically to work with our REVOLUTIONARY HEAVY DUTY, PATENT U.S. PAT # 7,681,284B1 HINGES, which are six times stronger than conventional hinges available on the market
- Tongue & groove design for maximum cargo protection
- Hardware is e-coated to a minimum of 1,000 hour salt spray for corrosion resistance; fasteners are aluminum or stainless steel
- Composite panels are paintable
- 100 percent recyclable materials



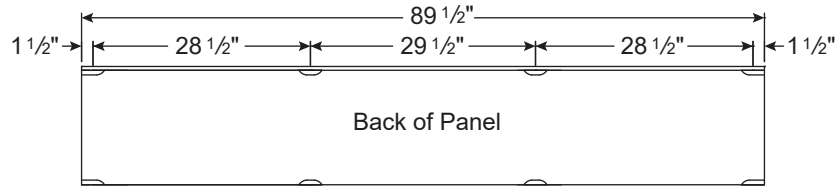
TRANSGLOBAL EXTREME DUTY PARTS LIST

Quantity	Stoughton Number	Description
Attached Hardware		
(1)	TG-70001-5	1/2" Dual Durometer Top Panel Seal (Glue and Fasten 8" O.C.)
(2)	TG-1264	Top Closure Base
(10)	TG-HD1209-A	HD Roller Hinge Complete
(2)	TG-HD1207-2	Half of a Roller Hinge
(2)	TG-1208	Roller Hinge Cover
(15)	TG-HD15	HD Center Hinge
(8)	TG-HD15-2	Half of a Center Hinge
(1)	TG-1715	Lift Handle Black
(1)	TG-9723-24-1	24" Black Pull Strap, No Loop
(2)	TG-5803	HD Cable Anchor Bracket
(2)	TG-HD-5600-2.5	HD Bottom Fixture
(1)	TG-77	Security Lock - WH
(1)	TG-7515	Lock Keeper - WH
(1)	TG-61193	Bottom Angle for .50" Comp. (Bottom)
(48)	TG-80840-1	Bottom Rubber (Uncut)
(1) Pair	TG-913042	Cable 105" 7x7 Galvanized 5/16" Nylon Eye
(2)	TG-10-1004-1	Clevis Pin 5/16" x 1" Zinc
(2)	TG-80401-316	3/32" x 1" Cotter Pin
Loose Hardware		
(16)	TG-61174	1" Steel Rollers
(16)	TG-80020	Spacer Washers
(1)	TG-70093	Catch Plate - MS Lock
(5)	TG-10-1009-2	Center Pins for Flush Mount Hinges
(5)	TG-10-1004-2	1/4" Rue Ring Cotter Pin
(2)	TG-6943	Top Closure Slide

TRANSGLOBAL REPLACEMENT PANELS

Intermediate Panels

INTERMEDIATE REPLACEMENT PANELS (DRY-FREIGHT)



Stoughton Number	Description
Tongue and Grooved w/ Routes – Specify Size	
TG-32110-B	10"-12" x up to 98.25" Intermediate Panel - Primed
TG-32150-B	13"-18" x up to 98.25" Intermediate Panel - Primed
TG-32111-B	10"-12" x up to 98.25" Intermediate Panel - PPW
TG-32151-B	13"-18" x up to 98.25" Intermediate Panel - PPW
Tongue and Grooved No Routes – Specify Size	
TG-32110-1B	10"-12" x up to 98.25" Intermediate Panel - Primed
TG-32150-1B	13"-18" x up to 98.25" Intermediate Panel - Primed
TG-32111-1B	10"-12" x up to 98.25" Intermediate Panel - PPW
TG-32151-1B	13"-18" x up to 98.25" Intermediate Panel - PPW
Ship Lap Joint - No Routes – Specify Size	
TG-32110-2B	10"-12" x up to 98.25" Intermediate Panel - Primed
TG-32150-2B	13"-18" x up to 98.25" Intermediate Panel - Primed
TG-32111-2B	10"-12" x up to 98.25" Intermediate Panel - PPW
TG-32151-2B	13"-18" x up to 98.25" Intermediate Panel - PPW

Options:

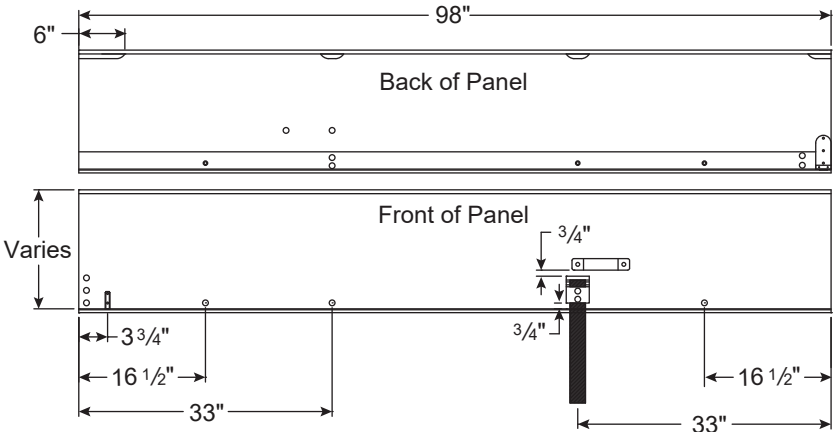
Extra Hinge Routes - Custom Sizes, Special Colors - Packaged 5 Per Box



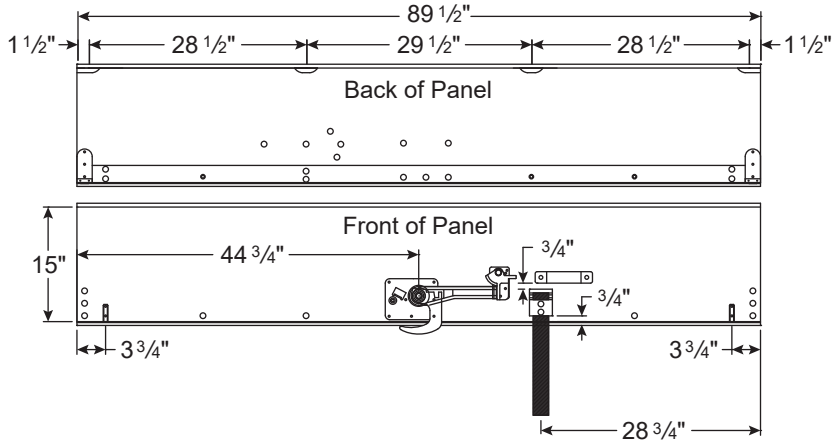
TRANSGLOBAL REPLACEMENT PANELS

Bottom Panels

**BOTTOM PANELS
(FOR 1" ROLLERS)**



**BOTTOM PANELS
(FOR 2" ROLLERS)**



Stoughton Number	Description
BOTTOM PANELS FOR 1" ROLLERS	
Tongue and Grooved No Routes – Specify Size – Aluminum U-Channel and Seal Only	
TG-33110-1B	10"-12" x up to 98.25" Bottom Panel Aluminum Channel and Seal - Primed
TG-33150-1B	13"-18" x up to 98.25" Bottom Panel Aluminum Channel and Seal - Primed
TG-33111-1B	10"-12" x up to 98.25" Bottom Panel Aluminum Channel and Seal - PPW
TG-33151-1B	13"-18" x up to 98.25" Bottom Panel Aluminum Channel and Seal - PPW
Tongue and Grooved w/ Routes – Specify Size – Steel Angle and Seal	
1-Bottom Fixture, 1-Cable Anchor Bracket, Pull Strap and Lift Handle Attached, 1-Cable Anchor Bracket, 1-Bottom Fixture - Loose	
TG-34110-1B	10"-12" x up to 98.25" Bottom Panel w/ Hardware - Bottom Panel w/ Aluminum Channel and Seal - Primed
TG-34150-1B	13"-18" x up to 98.25" Bottom Panel w/ Hardware - Bottom Panel w/ Aluminum Channel and Seal - Primed
TG-34111-1B	10"-12" x up to 98.25" Bottom Panel w/ Hardware - Bottom Panel w/ Aluminum Channel and Seal - PPW
TG-34151-1B	13"-18" x up to 98.25" Bottom Panel w/ Hardware - Bottom Panel w/ Aluminum Channel and Seal - PPW
BOTTOM PANELS FOR 2" ROLLERS	
Tongue and Grooved w/ Routes – Specify Size – Steel Angle and Seal Only	
TG-33110-B	10"-12" x up to 98.25" Bottom Panel Angle and Seal - Primed
TG-33150-B	13"-18" x up to 98.25" Bottom Panel Angle and Seal - Primed
TG-33111-B	10"-12" x up to 98.25" Bottom Panel Angle and Seal - PPW
TG-33151-B	13"-18" x up to 98.25" Bottom Panel Angle and Seal - PPW
Tongue and Grooved w/ Routes – Specify Size – Steel Angle and Seal	
1-Bottom Fixture, 1-Cable Anchor Bracket, Pull Strap and Lift Handle Attached, 1-Cable Anchor Bracket, 1-Bottom Fixture - Loose	
TG-34110-B	10"-12" x up to 98.25" Bottom Panel w/ Hardware - Angle and Seal - Primed
TG-34150-B	13"-18" x up to 98.25" Bottom Panel w/ Hardware - Angle and Seal - Primed
TG-34111-B	10"-12" x up to 98.25" Bottom Panel w/ Hardware - Angle and Seal - PPW
TG-34151-B	13"-18" x up to 98.25" Bottom Panel w/ Hardware - Angle and Seal - PPW

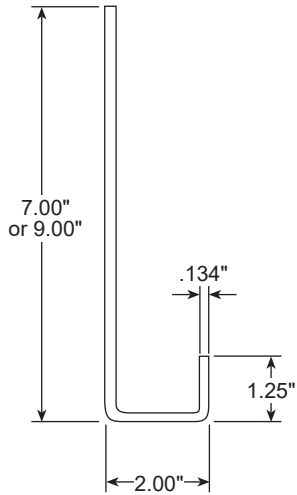
Note: Panels can be assembled to meet any specification.

Options:

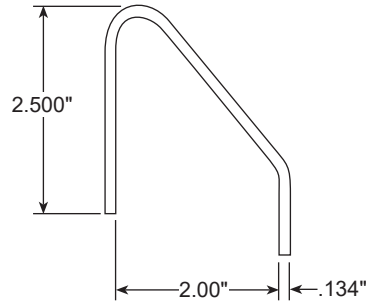
Extra Hinge Routes - Custom Sizes, Fully Assembled with Lock, Special Colors - Packaged 2 Per Box, Fork Lift Plate, Reinforcement Strap, Polar Vent, Pad-Lock Keeper, Powder Coated White Hardware, Stainless Steel Rivets, Inside Release Lock, Safety Chain Lock

REAR FRAME CONVERSION KITS

Stoughton



HEADER – 102" WIDE



CORNER POST – 120.00" LONG

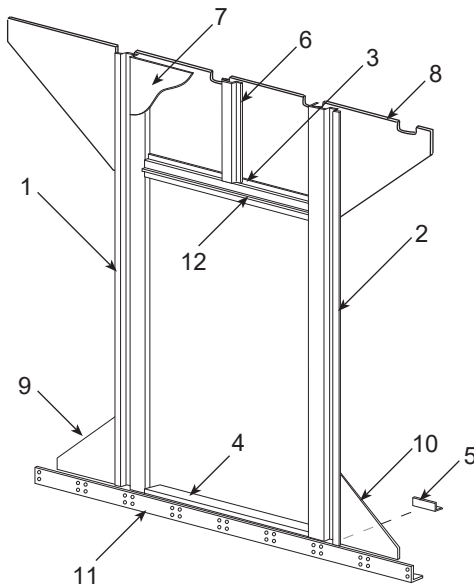
Stoughton Number	Description
FE025-60407	Conversion Kit with 7" Header
FE025-60409	Conversion Kit with 9" Header

One kit does one trailer. Each kit includes one header and two corner posts.

SIDE DOOR FRAME PARTS

Stoughton

42" x 78" Door Opening

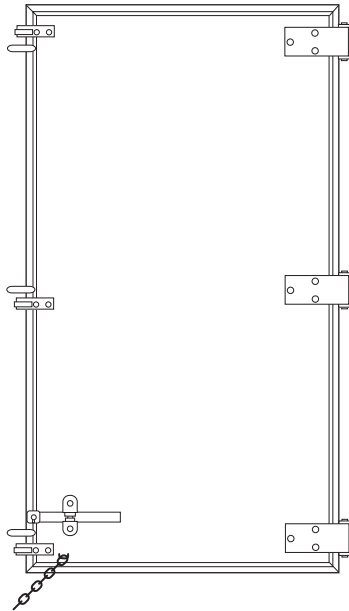


SIDE DOOR FRAME ASSEMBLY
(parts shipped loose)

Stoughton Number
21 03096 206 00

Item No.	Stoughton Number	Description	Quantity
1	01 04821 XXX 00	Side Door Post	1
2	01 04821 XXX 00	Side Door Post	1
3	01 04822 000 00	Side Door Header	1
4	01 04857 000 00	Floor Angle	1
5	01 05646 000 00	Side Door Post Bottom Angle	2
6	01 04834 015 00	Stress Plate Post	1
7	01 04825 010 01	Panel Over Door	1
8	01 07043 010 00	Stress Plate	1
9	01 07044 100 00	Roadside Lower Door Frame Gusset	1
10	01 07044 200 00	Curbside Lower Door Frame Gusset	1
11	01 10871 000 00	Side Door Truss	1

SIDE DOOR ASSEMBLY Stoughton



42" x 78" Door Opening

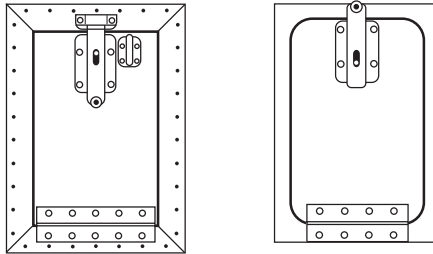
SIDE DOOR KIT - PLYMETAL

Stoughton Number
21 03095 KIT

Consists of:
(parts shipped "loose")

Stoughton Number	Description
01 06606 001 00	Pipe
04 86185 002 01	Pre-Gasketed Door
MR P50995	Locking Bar Hardware
MR P108835A	Hinges
MR 4077	Lockrod Bushing
MR 4085	Lockrod Bushing Guideplate
MR P1156061A	Hinge Butts (old # MRHB-1156-6-3)
MRHP-1054-12	Hinge Pins

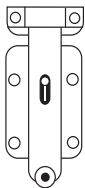
VENT DOORS Stoughton



VENT DOORS

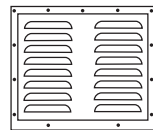
Stoughton Number	Overall Dimensions	Panel Thickness	Door Finish	Comments
FE024-02500	20" x 15"	3/4"		W/ Anti-Intrusion Screen
FE024-02501	20" x 15"	3/4"		W/ Anti-Intrusion Screen
PP-1076	10" x 20 1/2"		Aluminum	W/ Screen & Natural Alum. Door
PP-1077*	15" x 20 1/2"		White	W/ Screen & Natural Alum. Door

*Custom sizes also available. Call with your needs.



VENT DOOR LOCK

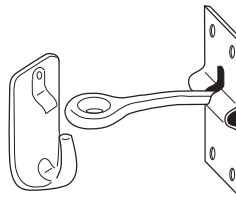
Stoughton Number
P10-1300 S/S
P10-1300ZP
P10-1500 S/S
P10-1900
P10-1900 S/S



LOUVER VENT

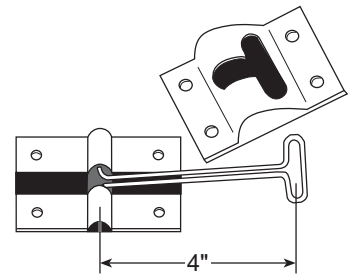
Stoughton Number	Comments
04 85199 000 00	Polar 20 – Side
04 85376 000 00	Polar 24 – Rear

Both have adjustable back plates



**VENT DOOR
HOLDBACK KIT**

Stoughton Number
04 85108 000 00



**VENT DOOR
HOLDBACK**

Stoughton Number
FE022-01022

HOLDBACK HARDWARE

Stoughton



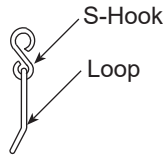
STRAIGHT LINK CHAIN

Stoughton Number	Length	Remarks
01 07187 001 00	7 3/8"	5 Links
01 07187 008 00	8 3/4"	6 Links



HOLDBACK LOOP

Stoughton Number
04 07656 000 00



S-HOOK

Stoughton Number
04 85381 000 00

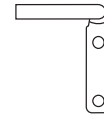
3 1/2" LOOP

Stoughton Number
01 12558 000 00



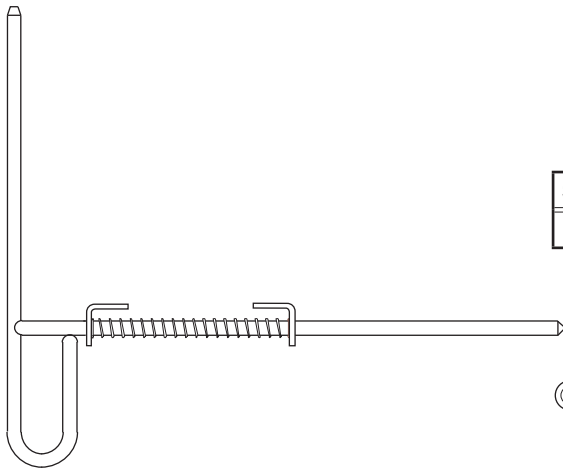
HOLDBACK HOOK

Stoughton Number
04 85274 000 00



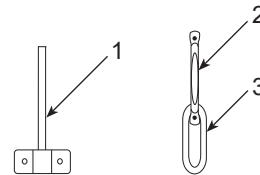
HOLDBACK HOOK

Stoughton Number	Remarks
04 85113 100 00	Roadside (pictured)
04 85113 200 00	Curbside



DOOR HOLDBACK

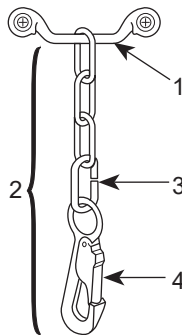
Stoughton Number	Remarks
04 85487 000 00	Complete
04 85487 000 02	Spring Only



DOOR HOLDBACK

Item No.	Stoughton Number	Description
1	04 85456 001 00	Hook*
2	04 85456 002 00	Handle
3	04 85456 003 00	Loop

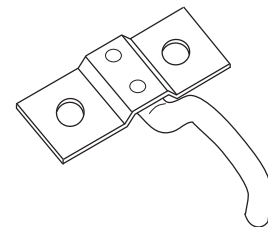
* Use this item for units built after 7-1-01.
For units built prior to 7-1-01, use EB6606-50.



CHAIN SNAP & HANDLE

Stoughton Number
FE021-00051

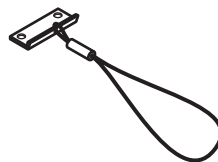
Item No.	Stoughton Number	Description
1	FE021-00043	Handle
2	FE021-00050	Chain & Snap
3	FE021-00053	Chain Lap Link
4	FE021-00052	Snap



DOOR HOLDBACK

Stoughton Number
FE022-00577

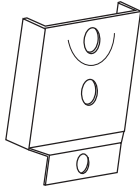
Fruehauf



DOOR HOLD-BACK, 2-HOLE

Stoughton Number
FRU#586930

T = Genuine Todco Brand
 TG = Transglobal Brand Aftermarket Replacement



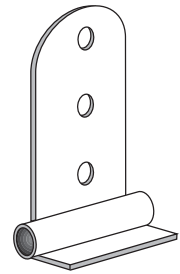
**TODCO BASE-ADJ.
TOP FIXTURE**

Stoughton Number
T69432 TG-69432



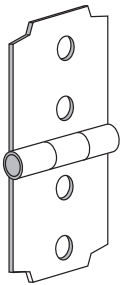
**TODCO SLIDE-ADJ.
TOP FIXTURE**

Stoughton Number
T69431 TG-69431



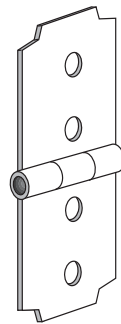
**TODCO BOTTOM
FIXTURE**

Stoughton Number
T61352 TG-61352



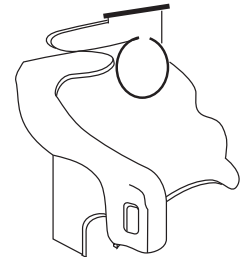
**TODCO CENTER
DOOR HINGE**

Stoughton Number
T61196 TG-61196



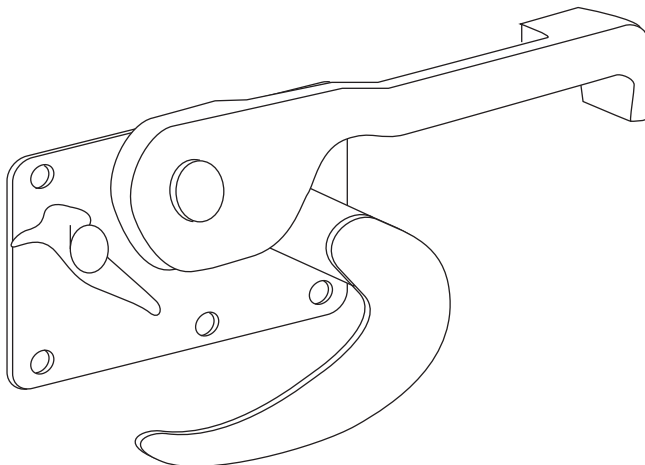
**TODCO END
DOOR HINGE**

Stoughton Number
T69035 TG-69035



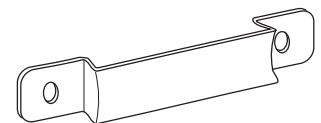
**TODCO KEEPER
ASSEMBLY**

Stoughton Number
T69572 TG-69572



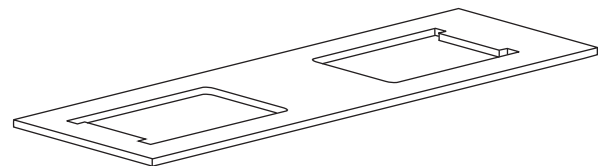
**TODCO MAXIMUM SECURITY
LOCK ASSEMBLY**

Stoughton Number
T69571 TG-69571



LIFT HANDLE

Stoughton Number
TG-61401



**TODCO CATCH
BOX**

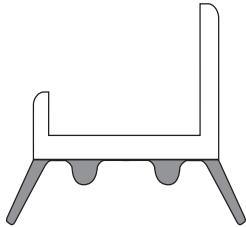
Stoughton Number
T70093 TG-70093

HARDWARE

Todco

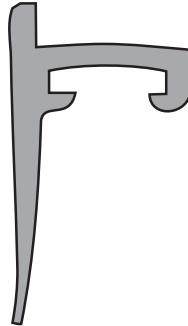
T = Genuine Todco Brand

TG = Transglobal Brand Aftermarket Replacement



**BOTTOM SEAL –
REMOVABLE/REPLACEMENT**

Stoughton Number	Length
T70337	96"



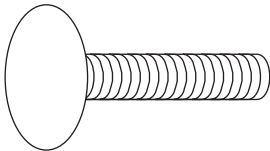
HEADER SEAL

Stoughton Number
T61402 TG-61402



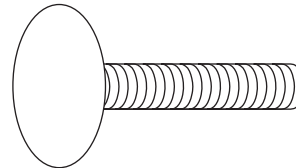
SIDE SEAL

Stoughton Number
T61390



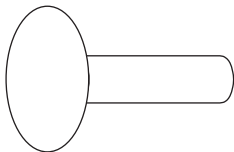
ELEVATOR BOLT

Stoughton Number	Remarks
T80015-1610KIT	1/4" x 1 1/4" – 100 Pieces Kit Includes Nuts
TG-80015-40	Individual Bolt



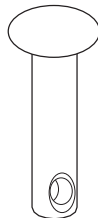
ELEVATOR BOLT

Stoughton Number	Remarks
T80110-4120KIT	1/4" x 1 1/2" – 100 Pieces Kit Includes Nuts



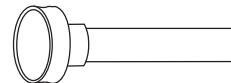
DOOR RIVET

Stoughton Number	Length
T89210-0032	1"
T89210-0036	1 1/8"
T89210-0040	1 1/4"
T89210-0048	1 1/2"
TG-89210-32	1"
TG-89210-36	1 1/8"
TG-89210-40	1 1/4"



CABLE ANCHOR PIN

Stoughton Number
T61026 TG-61026

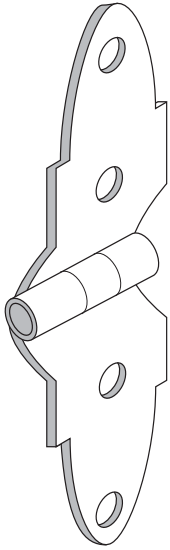


1" STEEL ROLLER

Stoughton Number	Remarks
T61174 T69162 TG-61174	Sealed Roller

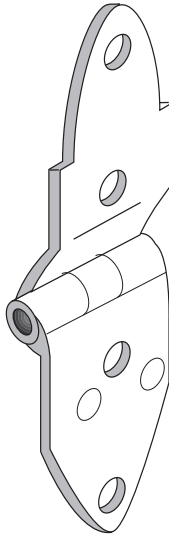
HARDWARE Whiting

W = Genuine Whiting Brand
TG = Transglobal Brand Aftermarket Replacement



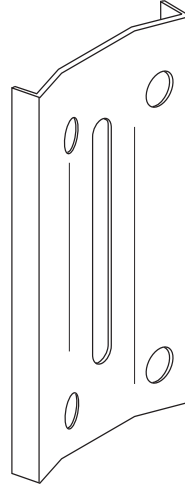
WHITING CENTER HINGE

Stoughton Number
W15 TG-15



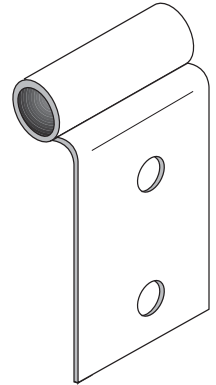
WHITING ROLLER HINGE

Stoughton Number
W1207 TG-1207



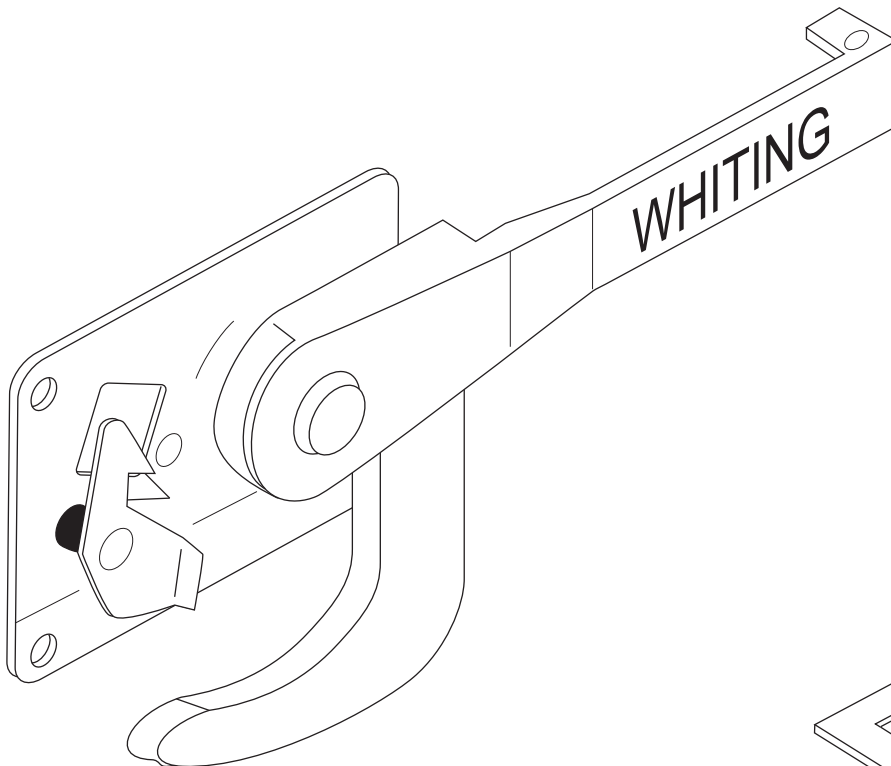
WHITING TOP CLOSURE BASE

Stoughton Number
W1264



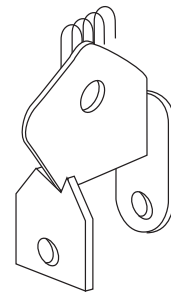
WHITING TOP CLOSURE SLIDE

Stoughton Number
W6943



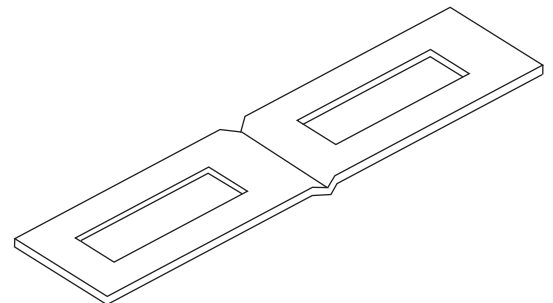
WHITING LATCH ASSEMBLY, NO KEEPER

Stoughton Number
W77 TG-77



WHITING HANDLE KEEPER

Stoughton Number
W7515 TG-7515



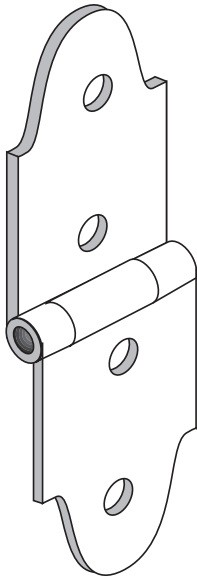
WHITING LATCH PLATE

Stoughton Number
W2804

HARDWARE

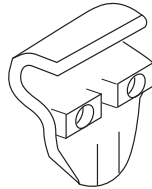
Whiting

W = Genuine Whiting Brand
 TG = Transglobal Brand Aftermarket Replacement



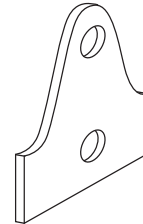
**ROLLER
HINGE**

Stoughton Number
W954 TG-1209A



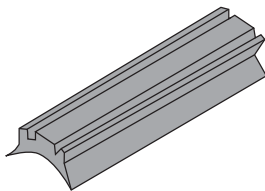
**WHITING ROLLER
HINGE COLVER CLAMP**

Stoughton Number
W1208 W1208R



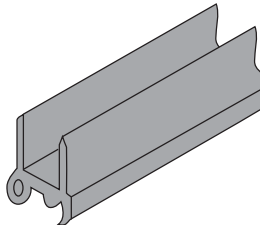
**WHITING BOTTOM ROLLER
BRACKET STUD PLATE**

Stoughton Number
W1370 TG-1370



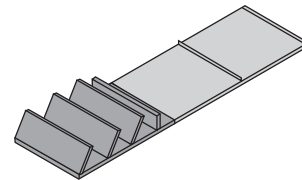
WHITING BOTTOM SEAL

Stoughton Number
W1676



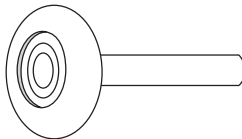
**WHITING BOTTOM U-CHANNEL
SEAL RETAINER**

Stoughton Number
W1801



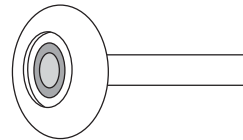
WHITING SIDESEAL 102"

Stoughton Number
W5423



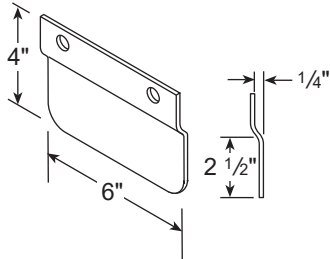
2" STEEL ROLLER

Stoughton Number
W2996 FE025-10102 TG-2996

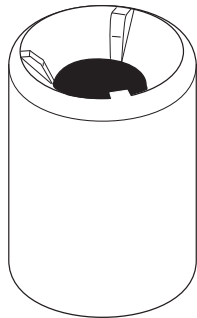


2" NYLON ROLLER

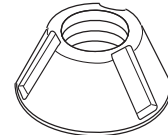
Stoughton Number
W3228 FE025-10101 TG-3228



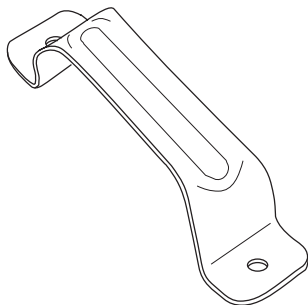
ANTI-THEFT PLATE
Stoughton Number
01-06284



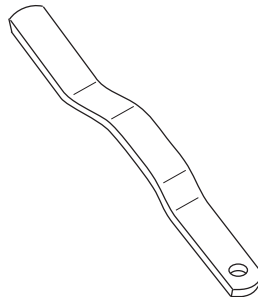
ANTI-THEFT SOCKET
Stoughton Number
S02 101 102 002



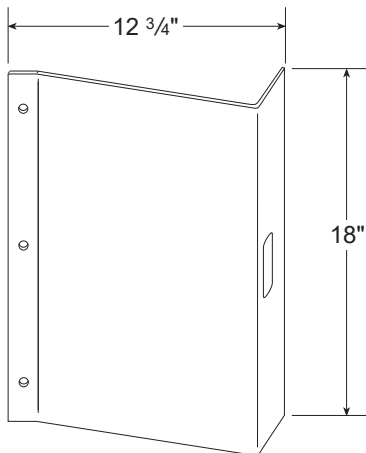
ANTI-THEFT NUT
Stoughton Number
04 95528



LIFT HANDLE
Stoughton Number
FE025-10311



DOOR HANDLE
Stoughton Number
FE023-00492



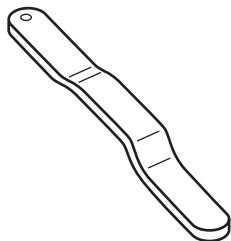
REAR DOOR TRACK DEFLECTOR ASSEMBLY

Stoughton Number	Remarks
31 03114 100 00	Roadside
31 03114 200 00	Curbside

Or call with trailer VIN (Serial Number) for correct identification

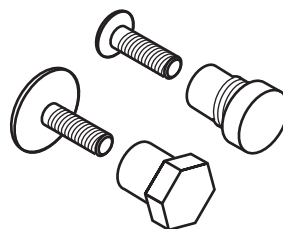
MISCELLANEOUS

Fruehauf



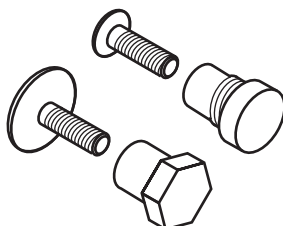
HANDLE, PRO-PAR, 15.38"

Stoughton Number
FRU#DCD-0292-1



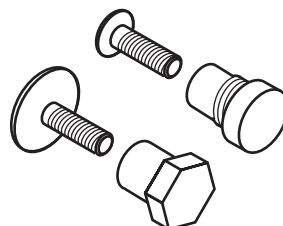
HINGE NUT, DRY FREIGHT DOOR

Stoughton Number
FRU#DXA-000682



HINGE NUT, REEFER DOOR

Stoughton Number
FRU#DXA-000686



HINGE SCREW

Stoughton Number
FRU#DXA-000696

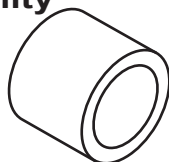
Great Dane



DOOR BUMPER

Stoughton Number
GD#45064

Utility



DOOR BUMPER

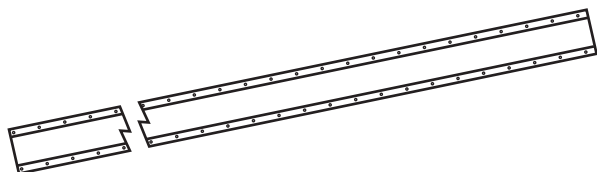
Stoughton Number
UT-03-1250-0-025



DOOR TRIM, ALUM, 114.38" 3000R

Stoughton Number
UT-01-3450-0-055

Wabash



MOUNTING CHANNEL, HINGE STRAP

Stoughton Number
WAB-E4881200

Todco

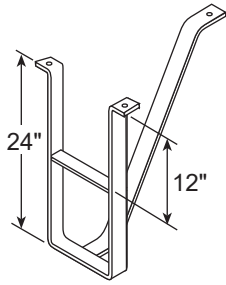


TODCO LUBRICANT

Stoughton Number	Description
T39000-1008	One 15 oz. Can
T39000-1012 CS	Case of Twelve 15 oz. Cans

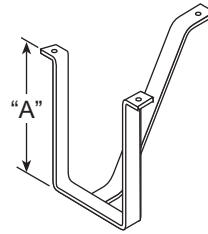
SIDE DOOR STEP ASSEMBLIES

Stoughton



SIDE DOOR STEP ASSEMBLY

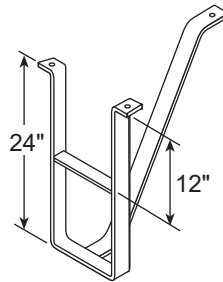
Stoughton Number
31 03851 001



SIDE DOOR STEP ASSEMBLY

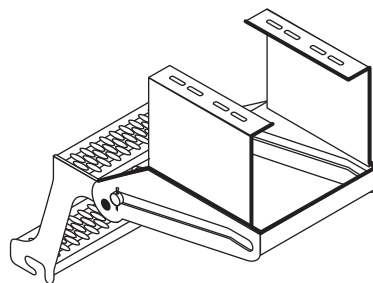
Stoughton Number	"A"
31 03704 001	21 5/8"
31 03704 002	16"

Call with trailer VIN (Serial Number) for correct identification



REAR DOOR STEP ASSEMBLY

Stoughton Number
31 03851 001



REAR DOOR STEP ASSEMBLY (RETRACTABLE)

Stoughton Number
P08-02

