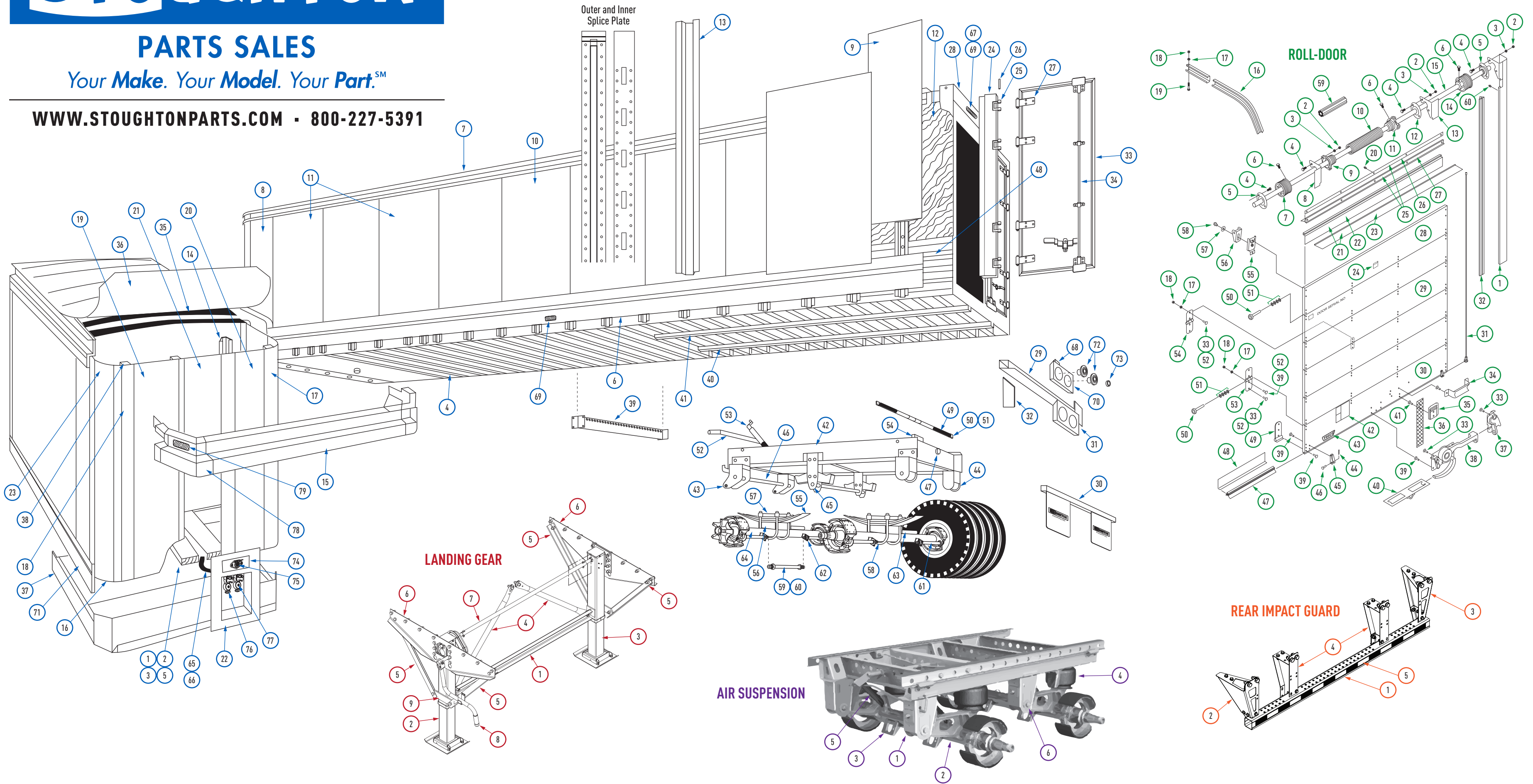


## PARTS SALES

Your Make. Your Model. Your Part.<sup>SM</sup>

WWW.STOUGHTONPARTS.COM - 800-227-5391

# DRY-VAN TRAILER COMPONENT IDENTIFICATION



- 1. Floor Kit Assembly
- 2. End Board
- 3. Intermediate Board
- 4. Hat Section
- 5. Floor Seal - Foam Tape
- 6. Bottom Rail
- 7. Top Rail
- 8. Side Panel
- 9. Side Panel
- 10. Side Panel
- 11. Side Panel
- 12. Plywood Liner
- 13. Side Post
- 14. Nose Post
- 15. Nose Rail
- 16. Radius Panel - CS
- 17. Radius Panel - RS
- 18. Corner Liner (interior)
- 19. Nose Panel
- 20. Nose Panel
- 21. Nose Panel
- 22. Recess Box
- 23. Corner Protector
- 24. Rear Corner Post, RH (CS)
- 25. Rear Corner Post, LH (RS)
- 26. Hinge Butt
- 27. Hinge Pin
- 28. Rear Header Assembly
- 29. Rear Sill Assembly
- 30. Mud Flap - Splash Guard Angle
- 31. Light Box, RH
- 32. Light Box, LH
- 33. Bumper Plate
- 34. Rear Door Assembly, CS
- 35. Rear Door Assembly, RS
- 36. Locking Bar Assembly, CS
- 37. Locking Bar Assembly, RS
- 38. Roof Bow
- 39. Roof Sheet
- 40. King Pin Assembly
- 41. Sealer, Foam Tape
- 42. Crossmember Assembly
- 43. Slider Rail, RH
- 44. Slider Rail, LH
- 45. Slider Stop, Forward and Rear

- 46. Slider Subframe
  - 47. Front Spring Hanger, RH/LH
  - 48. Rear Spring Hanger, RH/LH
  - 49. Equalizer Assembly
  - 50. Pipe Brace
  - 51. Torsion Cam Pipe
  - 52. Scuff Liner
  - 53. Link, Connecting
  - 54. Pin, Locking
  - 55. Spring, Compression
  - 56. Handle, Lock Operating
  - 57. Rear Door Assembly, CS
  - 58. Rear Door Assembly, RS
  - 59. Leaf Spring
  - 60. Spring Seat
  - 61. Top Plate
  - 62. "U" Bolt
  - 63. Torque Arm, Adjustable
  - 64. Torque Arm, Fixed
  - 65. Main Harness
  - 66. Front Harness
  - 67. Rear Harness Assembly
  - 68. Light - Marker, Red
  - 69. Light - Marker, Amber
  - 70. Reflector, Red
  - 71. Reflective Tape
  - 72. Light, Rear
  - 73. Light, License Plate
  - 74. 7-Way Mounting Base
  - 75. 7-way Receptacle
  - 76. Gladhand - Service
  - 77. Gladhand - Emergency
  - 78. Aluminum Corner Casting, RH/LH
  - 79. Light - Marker, Amber
- ROLL-DOOR**
- 1. Vertical Track Assembly
  - 2. Hex Nut - 5/16" NC
  - 3. Lock Washer - 5/16"
  - 4. Hex Head Bolt - 5/16" NC x 7/8"
  - 5. Bearing Assembly

- 6. Hex Head Set Screw - 3/8" NC x 7/8"
- 7. Cable Drum (Alum)
- 8. Spring Anchor Bracket
- 9. Spring Anchor Plug
- 10. Spring - 1-3/4" I.D.
- 11. Spring Winding Plug
- 12. Bearing Assembly - Support Bracket
- 13. Support Bracket - L.H.
- 14. Cable Drum - (Alum) L.H.
- 15. Counterbalance Shaft
- 16. Horizontal Track - L.H.
- 17. Lock Washer - 1/4"
- 18. Hex Nut - 1/4" NC
- 19. Hex Head Bolt - 1/4" NC x 1-3/4"
- 20. Drive Rivet
- 21. Head Seal Assembly
- 22. Retainer - Head Seal
- 23. Head Seal
- 24. Warning Sticker
- 25. Head Seal Assembly
- 26. Retainer - Head Seal
- 27. Head Seal
- 28. Top Panel
- 29. Intermediate Panel
- 30. Bottom Panel
- 31. Cable Assembly
- 32. Side Seal - Pair
- 33. Rivet - 1" LG.
- 34. Lift Handle
- 35. Pull Strap Retainer
- 36. Pull Strap - 30" Straight
- 37. Keeper Assembly
- 38. Maximum Security Lock Assembly
- 39. Rivet - 1-1/8" LG.
- 40. Catch Box
- 41. Rivet - 1-3/8" LG.
- 42. Warning Sticker - Safety Notice
- 43. Name Plate
- 44. Cotter Pin - 3/32" Dia.
- 45. Cable Anchor Bracket
- 46. Cable Anchor Pin
- 47. Bottom Seal
- 48. Bottom Angle
- 49. Bottom Roller Fixture
- 50. Roller
- 51. Spacer Washer-Roller

- 52. Step Bolt - 1/4" NC x 1-1/4"
  - 53. End Hinge
  - 54. Center Hinge
  - 55. Base - Adjustable Top Fixture
  - 56. Slide - Adjustable Top Fixture
  - 57. Flatwasher - 3/8"
  - 58. E-Lok Bolt - 3/8" NC
  - 59. Filler Plug - 2-1/2" I.D. Spring
  - 60. Drive Rivet - 3/16" Dia. x 9/32" LG.
- LANDING GEAR**
- 1. Cross Channel
  - 2. Landing Gear Leg, Gear Side
  - 3. Landing Gear Leg, Non-gear Side
  - 4. Brace, Landing Gear
  - 5. Bracket, Landing Gear
  - 6. Bracket / Lower Angle Brace
  - 7. Cross Shaft
  - 8. Crank Handle
  - 9. Landing Gear Brace Ear

- AIR SUSPENSION**
- 1. Frame Bracket
  - 2. Equalizing Beam
  - 3. Brake Chamber Mounting Bracket
  - 4. Air Spring
  - 5. Shock Absorber
  - 6. Pivot Connection
- REAR IMPACT GUARD**
- 1. Rear Impact Guard Tube
  - 2. Rear Imp Guard Upright Roadside Outer
  - 3. Rear Imp Guard Upright Curbside Outer
  - 4. Rear Impact Guard Inner Upright
  - 5. Reflective Tape