

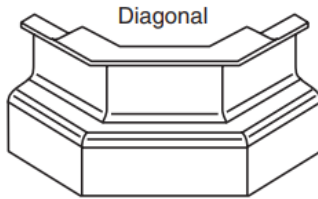


PARTS SALES

Your Make. Your Model. Your Part.

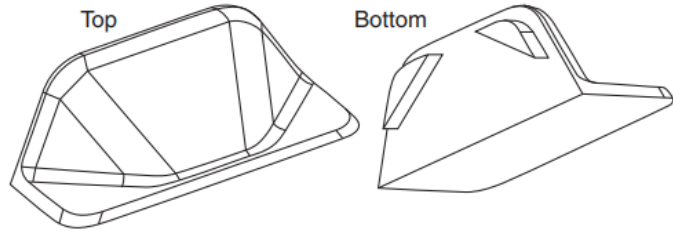
**Wabash Body Parts
in stock at Stoughton Parts**

Corner Caps & Corner Radius



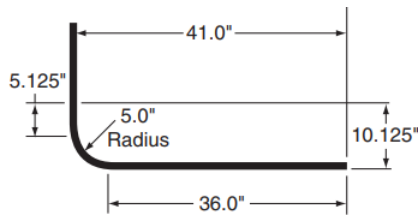
CORNER CAP

Stoughton Number
WAB-04300002



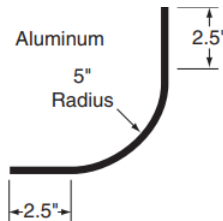
END CAP

Stoughton Number
WAB-04300004



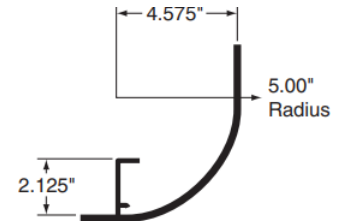
CORNER PANEL 110" PVC COATED, PPW

Stoughton Number
WAB-01107082



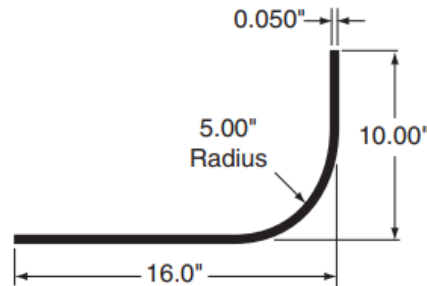
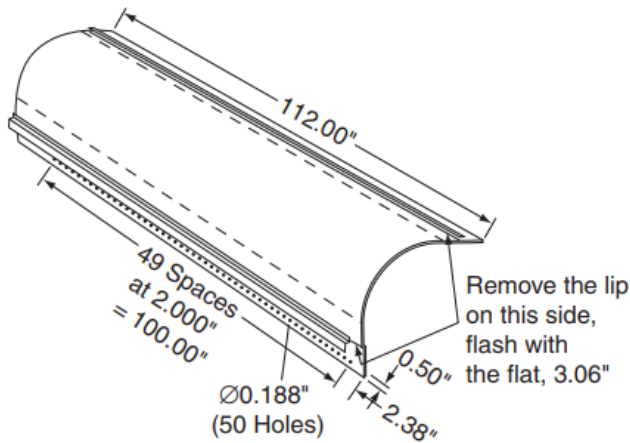
CORNER PANEL

Stoughton Number
WAB-E1761098



CORNER PANEL 120" ALUM

Stoughton Number
WAB-E6141200



CORNER PANEL

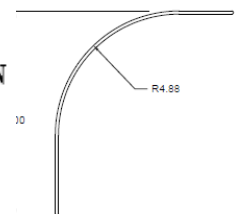
Stoughton Number
WAB-040026341202

Stoughton Number
WABE9301200
UNPUNCHED, OUTER RADIUS

Stoughton Number
WAB01107823-04
INNER RADIUS

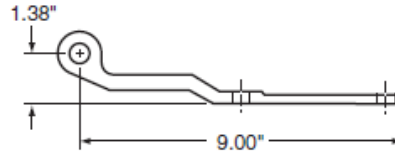
WAB-E9261200
CORNER RADIUS, ALUM. 120IN

Stoughton Number
WAB-A100180
ALUM TIE DISC



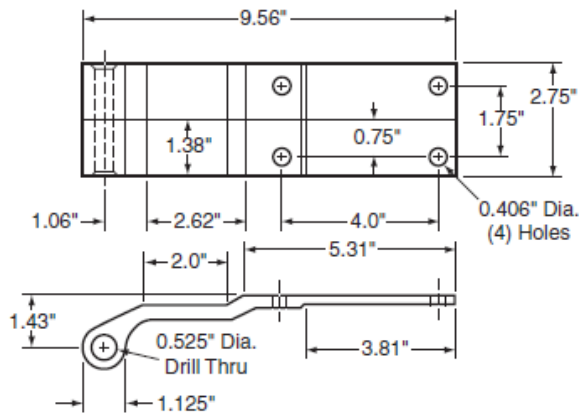
"Wabash" is a trademark of the respective owners and is only used to identify corresponding part numbers of Stoughton Parts Sales, LLC. Stoughton Parts Sales, LLC is not affiliated with the owners of these trademarks.

Hinges, J-Molding, Roof Bows



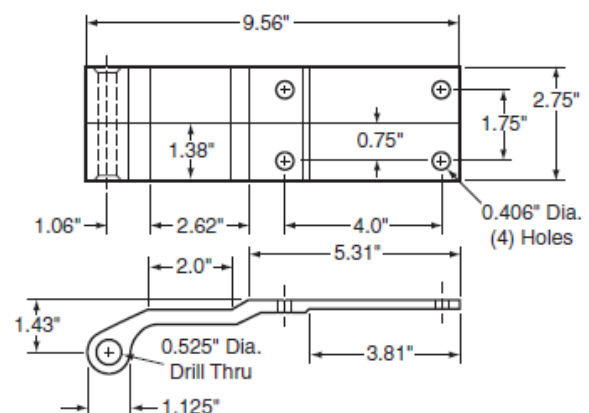
2.75" HINGE, 4-HOLE, OFFSET, ALUM

Stoughton Number
WAB-06300291



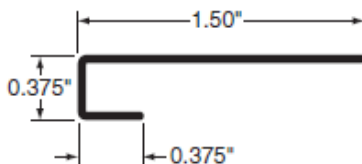
2.75" HINGE, 4-HOLE, ALUM

Stoughton Number
WAB-21100291



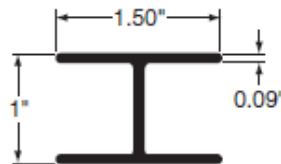
HINGE, 4-HOLE, ALUM

Stoughton Number
WAB-21101272



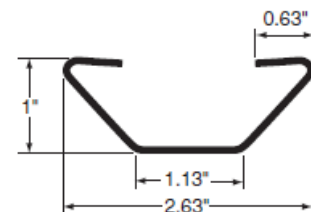
J-MOLDING, EXTRU ALUM, 120"

Stoughton Number
WAB-E0821200



ROOF BOW, CAMBERED, 99"

Stoughton Number
WAB-07200043

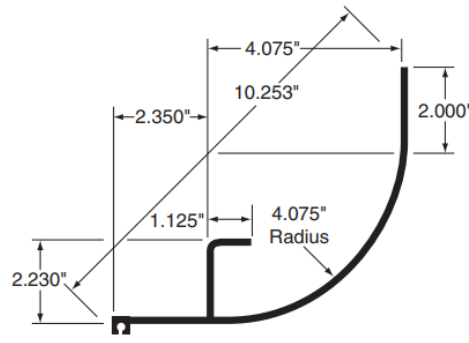


ROOF BOW, ANTI-SNAG, STEEL, 99"

Stoughton Number
WAB-07200028

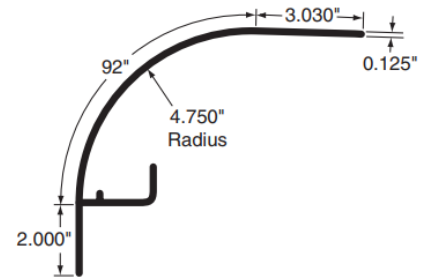
"Wabash" is a trademark of the respective owners and is only used to identify corresponding part numbers of Stoughton Parts Sales, LLC. Stoughton Parts Sales, LLC is not affiliated with the owners of these trademarks.

Corner Posts



5" CORNER POST, EXTRU, 118" L, ALUM

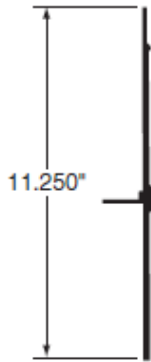
Stoughton Number
WAB-E0081200



CORNER POST

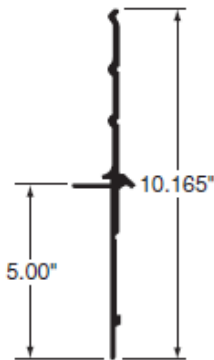
Stoughton Number
WAB-E8351200

Lower Rails



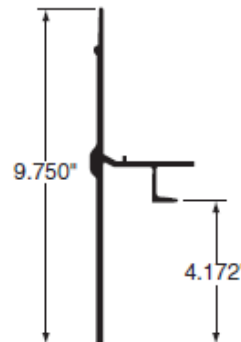
LOWER RAIL, REEFER

Stoughton Number
WAB-E0366260



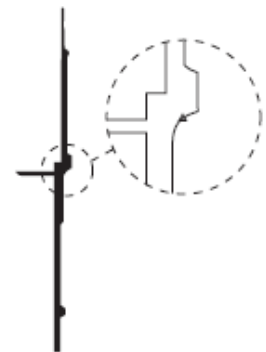
DURAPLATE LOWER RAIL, 626"

Stoughton Number
WAB-E7326260



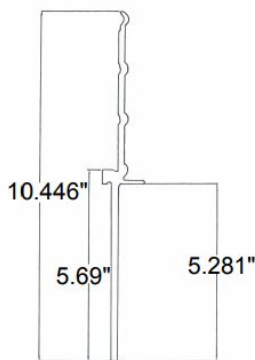
BOTTOM RAIL, SHEET AND POST

Stoughton Number
WAB-E8116260



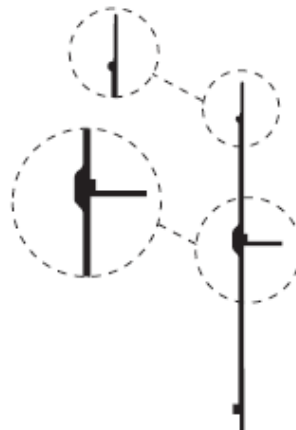
LOWER RAIL, 626"

Stoughton Number
WAB-E3836260



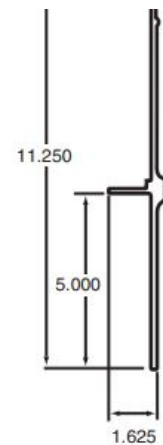
Stoughton Number

WAB-EA796260
COMPOSITE PLATE LOWER RAIL



LOWER RAIL, 626"

Stoughton Number
WAB-E7026260

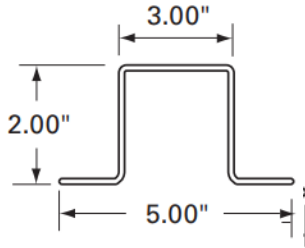


Stoughton Number

WAB-EA686260
LOWER RAIL, 52FT

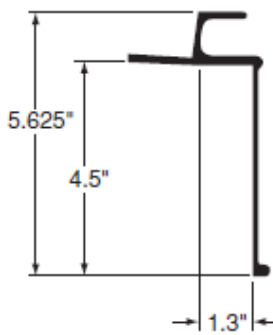
"Wabash" is a trademark of the respective owners and is only used to identify corresponding part numbers of Stoughton Parts Sales, LLC. Stoughton Parts Sales, LLC is not affiliated with the owners of these trademarks.

Nose Posts, Nose Rails & Trailer Headers



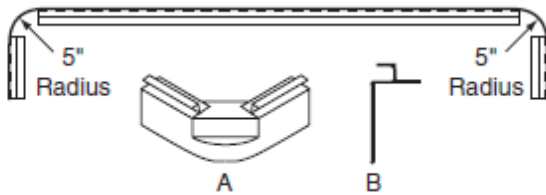
NOSE POST, STEEL, UNPUNCHED

Stoughton Number
WAB-04S00020



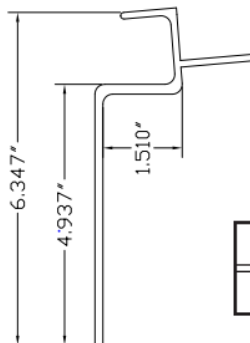
5\" NOSE RAIL, R-PLATE, 102\"

Stoughton Number
WAB-04A01826



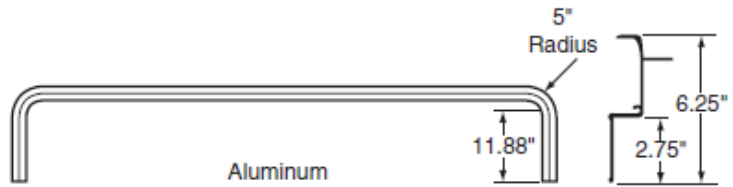
5\" TRAILER HEADER, PLATE, 102\"

Stoughton Number
WAB-04000595



NOSE RAIL, ALUM, UNPUNCHED, 102in

Stoughton Number
WAB-04A02675



Aluminum

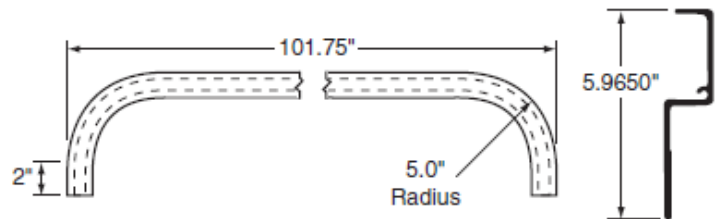
5\" NOSE RAIL, ALUM, 102\"

Stoughton Number
WAB-04A00211



NOSE RAIL, WABASH STYLE, ALUM

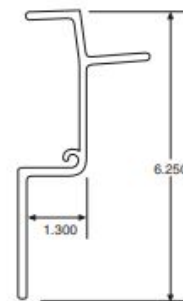
Stoughton Number
WAB-04A00218



NOSE RAIL, ALUM

Stoughton Number
WAB-04A00800

Same As WAB-04A02474

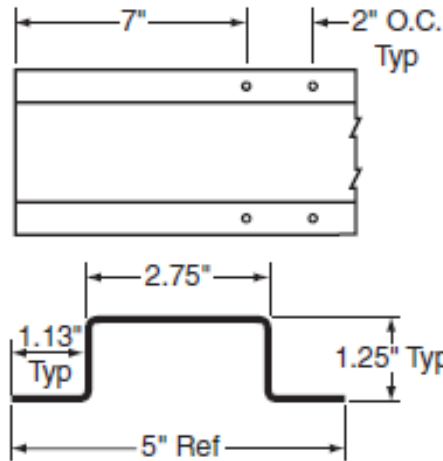
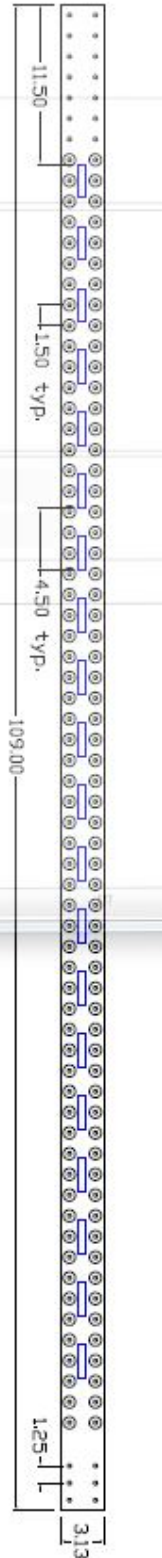


Stoughton Number

Stoughton Number
WAB-04A00211
NOSE RAIL, ALUM, 5inRAD, 11.875x102in
SAME AS WAB-04A02464 AND WAB-04A00218

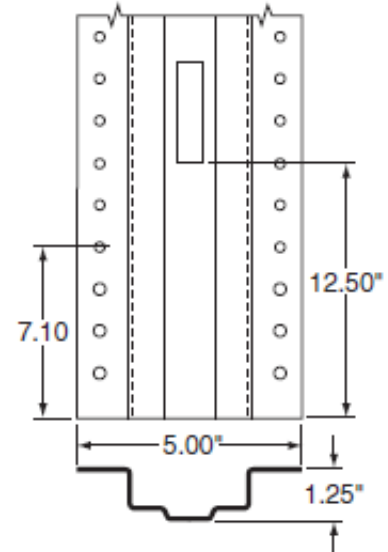
“Wabash” is a trademark of the respective owners and is only used to identify corresponding part numbers of Stoughton Parts Sales, LLC. Stoughton Parts Sales, LLC is not affiliated with the owners of these trademarks.

Side Posts



5" SIDE POST, 16 GA, GALV, 112"

Stoughton Number
WAB-0120069

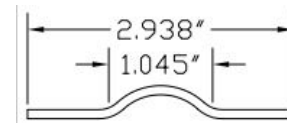


SIDE POST, LOGISTIC, STEEL, 111-7/8"

Stoughton Number
WAB-0120064

Stoughton Number
WAB-01500782
INNER LOGISTIC STRIP, 14GA

Stoughton Number
WAB53002552
SIDE POST INNER LOG, SIDE, 110", CMP

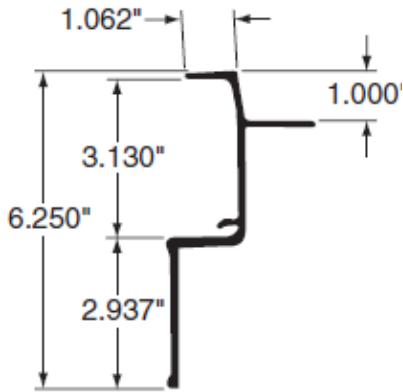


Stoughton Number
WAB01A1752
OUTER COVER POST PPW 116", PUNCHED

Stoughton Number
WAB01107824-01
STAINLESS STEEL INSERT

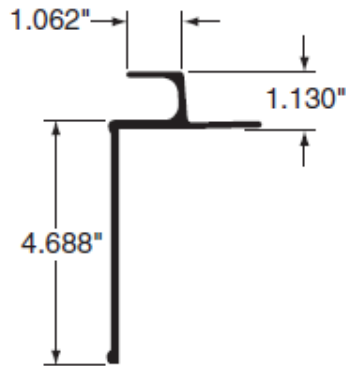
"Wabash" is a trademark of the respective owners and is only used to identify corresponding part numbers of Stoughton Parts Sales, LLC. Stoughton Parts Sales, LLC is not affiliated with the owners of these trademarks.

Upper Rails & Side Panels



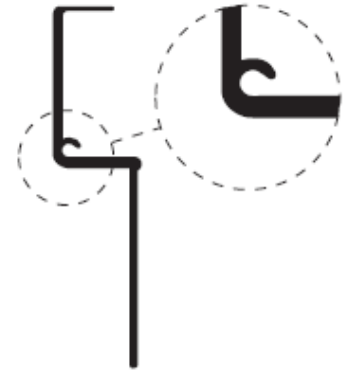
UPPER RAIL, UNIV, 52'

Stoughton Number
WAB-E0016260



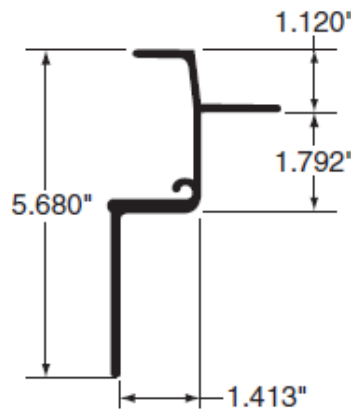
UPPER RAIL, 52'

Stoughton Number
WAB-E0076260



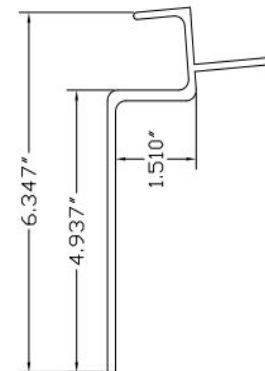
UPPER RAIL, 626"

Stoughton Number
WAB-E3226260



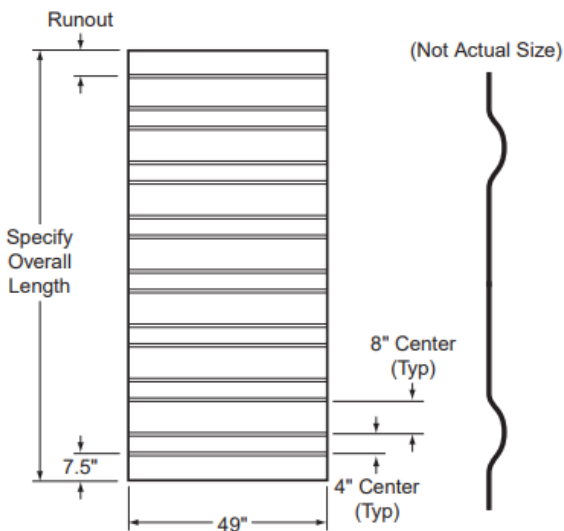
TOP RAIL

Stoughton Number
WAB-E8216260



Stoughton Number

WAB-E9246260
COMPOSITE PLATE TOP RAIL



SIDE PANEL, CORR, WHT, ALUM

Stoughton Number
WAB-01 C 00059

Item	Description
WAB-PNL1-16	COMPOSITE PANEL PPW 0.331"x49"x115.13"
WAB-PNL1-10	COMPOSITE PANEL PPW 0.331"x49"x112¾"
WAB-01A01852	LOGISTIC POST OUTER COVER, 2.94X116"
WAB-01S00636	LOGISTIC POST, INNER

"Wabash" is a trademark of the respective owners and is only used to identify corresponding part numbers of Stoughton Parts Sales, LLC. Stoughton Parts Sales, LLC is not affiliated with the owners of these trademarks.

AT STOUGHTON, IT'S ABOUT MORE THAN JUST PARTS.

Stoughton Parts focuses its efforts on being a premier value-added supplier to the heavy duty aftermarket. We pride ourselves on our industry leading customer service, order fill rate and order fill accuracy.

YOU CAN EXPECT:

- ▶ Thousands of parts in stock every day
- ▶ Not only top quality Stoughton parts but competitive make/model parts
- ▶ Personalized service
- ▶ Experienced and knowledgeable technical support
- ▶ Online ordering, tracking and invoice access capabilities
- ▶ Weekly delivery routes to minimize freight costs along with daily parcel & LTL shipping