

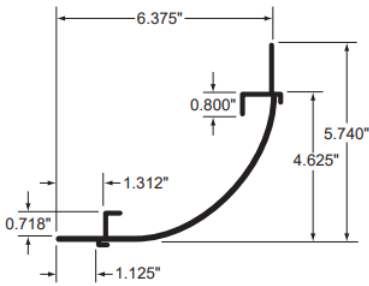
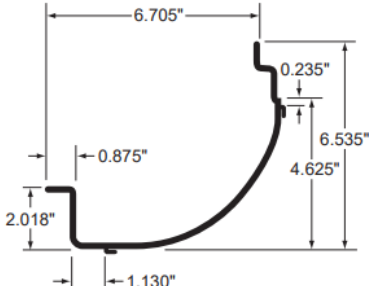
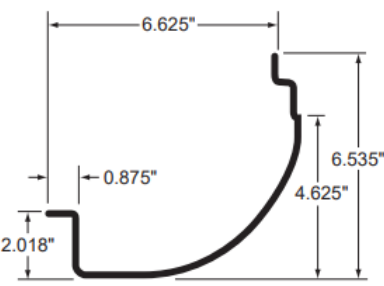
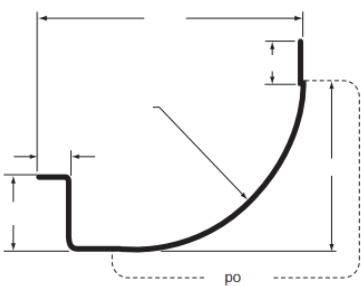

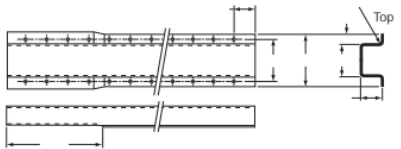
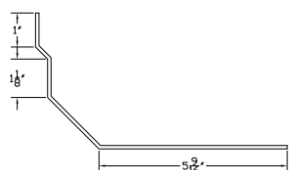
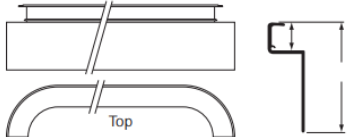

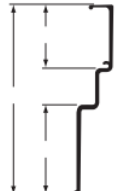


PARTS SALES

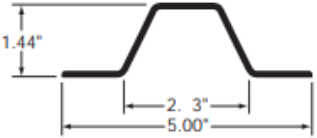
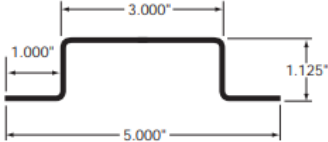
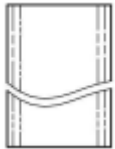
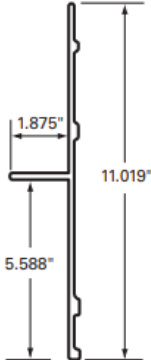
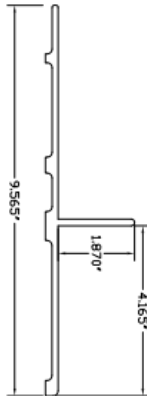

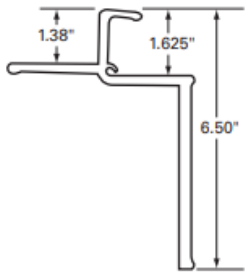
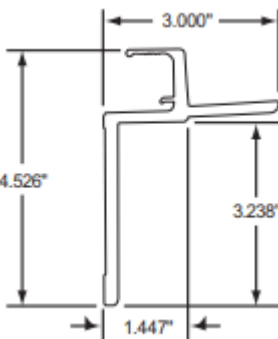
Your Make. Your Model. Your Part.

**Utility Body Parts in stock
at Stoughton Parts**

Front Wall

<p>UT-01-6500-156 CORNER POST, MILL, 116.5in</p> 	<p>UT-01-6500-159 CORNER POST, MILL, 120in</p> 	<p>UT-01-6500-160 CORNER POST, WHITE, 120in</p> 
<p>UT-01-6500-164 CORNER POST, MILL, 120in</p> 	<p>UT-03-2500-0-099 RADIUS INSERT, SS .0215X7-1/2X118 FOR "DRY FRT"</p> <p>UT-03-2500-0-098 RADIUS INSERT, SS W/PVC, 116in FOR REEFER</p> 	<p>UT-03-6512-0-042 NOSE POST, 14GA, 116in</p> 
<p>UT-03-2170-0-351 R/S INNER RADIUS</p> <p>UT-03-2170-0-355 C/S INNER RADIUS</p> 	<p>UT-03-6650-0-423 NOSE RAIL, ALUM, 3000R, 101-7/8in</p> 	<p>UT-03-6650-0-510 NOSE RAIL, UTILITY DRY VAN 101 15/16</p> 
<p>UT-03-6650-0-310 NOSE RAIL, ALUM, 101-7/8in</p> 		

Side Wall

<p>UT-01-6500-157 SIDE POST, ALUM, 115in</p> 	<p>UT-118 SIDE POST, STEEL, PUNCHED, 110in</p> 	<p>UT-03-6009-0-039 LINER PANEL, 26 GA, 12.75X96</p> <p>UT-03-6009-0-040 LINER PANEL, 26 GA, 20.75X96</p> 
<p>UT-01-6650-0-149 LOWER RAIL, ALUM, 625in "3000R"</p> 	<p>UT-01-6650-0-167 LOWER RAIL, ALUM, 625in "3000R" with 4" CROSS MEMBER</p> 	<p>UT-01-6650-0-190 LOWER RAIL, ALUM, 625in</p> 
<p>UT-01-6650-0-150 UPPER RAIL, ALUM, 625in "3000R"</p> 	<p>UT-01-6650-0-179 UPPER RAIL, ALUM, 625in, UTILITY VS2DX</p> 	

Roof Bows & Crossmember

<p>UT-03-1600-0-053 ROOF BOW, GALV, 99.5in</p>	<p>UT-03-1600-0-054 ROOF BOW, GALV, 99.5in 14GA</p>	<p>UT-04-2575-0-099 I-BEAM CROSSMEMBER, 4x101.75in</p>

Hinges & Door Accessories

<p>UT-03-1250-0-025 DOOR BUMPER 1-7/8x1-5/8</p>	<p>UT-03-3550-0-038 DOOR GASKET, 3000R, 168in</p>	<p>UT-03-6101-0-008 HINGE PIN, 4.45in</p>
<p>UT-03-4100-0-019 HINGE, ALUM, PUNCHED, 3-HOLE, 4in</p>	<p>UT-03-4100-0-022 HINGE, ALUM, PUNCHED, 3-HOLE, 3in</p>	

Landing Gear Hardware

<p>UT-03-1103-0-123 LANDING GEAR, BRACKET, U-TYPE, RDSD</p> <p>UT-03-1103-0-124 LANDING GEAR, BRACKET, U-TYPE, CBSD</p> 	<p>UT-03-1105-0-002 BRACKET FILLER 5/16 X 103/4"</p> 	<p>UT-03-1105-0-005 BRACKET BRACE PLATE R/H 5/16</p> 
<p>UT-03-1105-0-012 BRACKET BEARING R/S 1/4X17 3/16</p>  <p>UT-03-1105-0-013 BRACKET BEARING C/S 1/4X17 3/16</p>	<p>UT-04-1900-0-047 BRACE, CHANNEL LEG 70 3/4 "</p> 	
<p>UT-03-0275-0-111 ANGLE PRSG 12GA</p> <p>(NO IMAGE AVAILABLE)</p>	<p>UT-03-1103-0-077 LANDING GEAR, BRACKET, WING-TYPE, RDSD</p>  <p>UT-03-1103-0-078 LANDING GEAR, BRACKET, WING-TYPE, CBSD</p>	

AT STOUGHTON, IT'S ABOUT MORE THAN JUST PARTS.

Stoughton Parts focuses its efforts on being a premier value-added supplier to the heavy duty aftermarket. We pride ourselves on our industry leading customer service, order fill rate and order fill accuracy.

YOU CAN EXPECT:

- ▶ Thousands of parts in stock every day
- ▶ Not only top quality Stoughton parts but competitive make/model parts
- ▶ Personalized service
- ▶ Experienced and knowledgeable technical support
- ▶ Online ordering, tracking and invoice access capabilities
- ▶ Weekly delivery routes to minimize freight costs along with daily parcel & LTL shipping