



PARTS SALES

Your Make. Your Model. Your Part.™

LANDING GEAR CATALOG

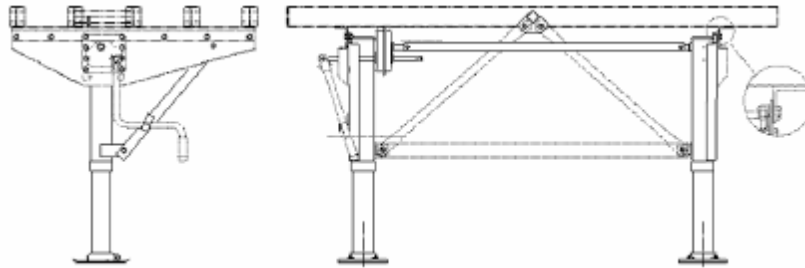




PARTS SALES

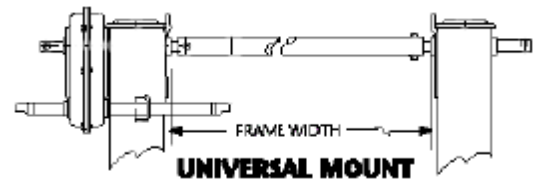
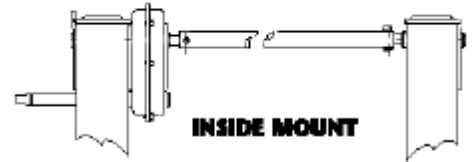
Your Make. Your Model. Your Part.™

LANDING GEAR



Mounting Types

- **Inside mount** – Gear box is mounted on the inside of the mounting bracket (landing gear wing)
- **Outside mount** – Gear Box is mounted on the outside of the mounting bracket (landing gear wing).
- **Universal mount** – Both legs can be mounted so that the shaft can relate to the leg inside or outside the mounting bracket (landing gear wing).

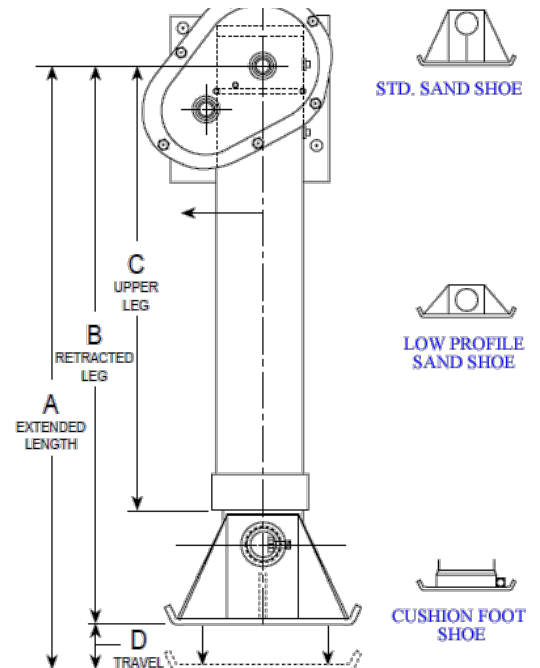


Shoe Types

- **Sandshoes** – Also known as Standard, Tall or High-Profile and Low-Profile.
- **Cushion Foot** - Round or Square and in various sizes; 10inX10in is common.

The **travel** of a landing gear leg is the distance between the leg at full extension and the leg at full retraction. The difference between 'A' and 'B' in the diagram.

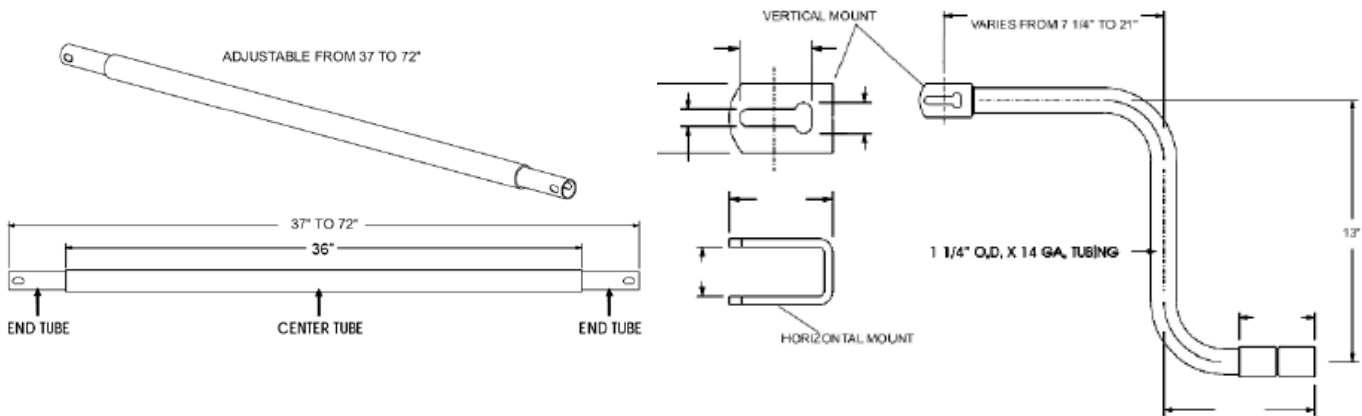
The **gear-side leg** is the leg that is located on the roadside of the trailer and is cranked up and down. The **non-gear side leg** is located on the curbside of the trailer and follows the action of the gear-side leg.



Common Industry Terms Prop legs, Support legs, Dolly legs, Gear-side (Drive leg), Non-Gear Side (Slave leg)

Components

- **Crank handle** - connects to the gearside leg and is what the driver turns to move the legs up and down. There are two primary styles of crank handles. There is horizontal mount and vertical mount (see diagram).
- **Cross Shaft** - connects to the output shaft on the gearside leg to the input shaft on the non-gear leg, in two styles, fixed and adjustable.



Landing Gear Legs & Hardware

Item # PRO-CL22TAS (High-Profile)



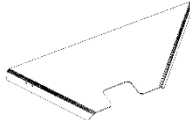
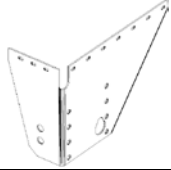
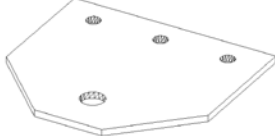
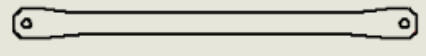
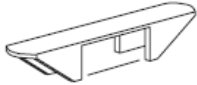


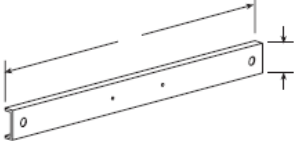



Item # PRO-CL22TAS-LP (Low-Profile)


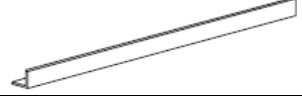
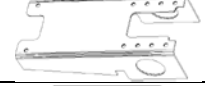
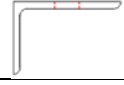
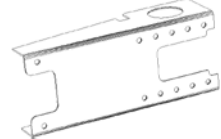
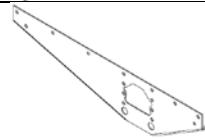

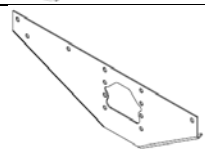
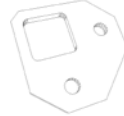

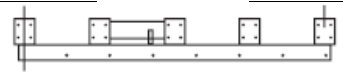
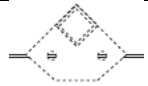
- Universal Mount
- 12 kits/pallet
- 3-year warranty
- Static Load Capacity - 132,277 lb.
- Lifting Capacity - 48,501.7 lb.
- Side Load Capacity - 24,250.8 lb.
- Travel Max - 16.92913 in.
- Crank Force - 35.274 lb.

PRO-SELECT™



SOLD IN
PALLET
QUANTITIES
ONLY

| | | |
|-----------------|---|---|
| 01-04012-100-00 | LANDING GEAR, MOUNTING BRACKET, 50in RDSD |  |
| 01-04012-200-00 | LANDING GEAR, MOUNTING BRACKET, 50in CBSD | |
| 01-08875-000-00 | LANDING GEAR, MOUNTING BRACKET, 50in |  |
| 01-09945-000-00 | LANDING GEAR, MOUNTING BRACKET, 50in | |
| 01-09945-000-0G | LANDING GEAR, MOUNTING BRACKET, 50in, GALV | |
| 01-15617-100-00 | LANDING GEAR, MOUNTING BRACKET, 15.5x40.31in, RDSD |  |
| 01-15617-200-00 | LANDING GEAR, MOUNTING BRACKET, 15.5x60.31in, CBSD | |
| 01-24222-100-00 | LANDING GEAR, MOUNTING BRACKET, 14.12x29.75in, RDSD |  |
| 01-24274-000-00 | LANDING GEAR, MOUNTING PLATE, 5.5x6in |  |
| 01-05425-038-00 | LANDING GEAR, BRACE, 41in, BARE |  |
| 01-05425-038-0G | LANDING GEAR, BRACE, 41in, GALV | |
| 01-05425-039-00 | LANDING GEAR, BRACE, 38.75in, BARE | |
| 01-05425-052-00 | LANDING GEAR, BRACE, 43.88in, BARE | |
| 01-10246-000-00 | LANDING GEAR, BRACE EAR, 6.9x10.5in | |
| 01-08913-000-00 | LANDING GEAR, BRACE EAR, SQUARE, 10.5in |  |
| 01-11007-000-00 | LANDING GEAR, BRACE EAR, 6.62x10.5in | |
| 01-19370-000-00 | LANDING GEAR, BRACE EAR, 10.5in |  |
| 01-08112-001-00 | LANDING GEAR, BRACE TUBE, 11.88in |  |
| 01-06650-001-00 | LANDING GEAR, BRACE, 64in |  |
| 01-07455-003-00 | STIFFENER, LEG, 14.56in |  |
| 01-17322-000-00 | CRANK HANDLE HOLDER |  |
| 01-08112-002-00 | BRACE PLATE, LG, 4.5in |  |

| | | |
|-----------------|--|---|
| 01-09943-005-00 | LANDING GEAR, SIDE BRACKET, 30in |  |
| 01-09943-009-00 | LANDING GEAR, SIDE BRACKET, 31.38in | |
| 01-09943-009-0G | LANDING GEAR, SIDE BRACKET, 31.38IN GALV | |
| 01-10857-000-00 | LANDING GEAR, BRACKET, 50in |  |
| 01-17076-000-00 | LANDING GEAR, BRACKET, 23.19x25.75in |  |
| 01-19662-001-00 | LANDING GEAR, SIDE BRACKET, 28.75in |  |
| 01-22128-000-00 | LANDING GEAR, BRACKET, 23.5x25.75in |  |
| 01-25251-100-00 | LANDING GEAR, BRACKET, 11.25x50in, RDSD |  |
| 01-25251-200-00 | LANDING GEAR, BRACKET, 11.25x50in, CBSD | |
| 01-26574-100-00 | LANDING GEAR, BRACKET, RDSD |  |
| 01-26574-200-00 | LANDING GEAR, BRACKET, CBSD | |
| 01-27925-100-00 | LANDING GEAR, BRACKET, 11.25x38in |  |
| 01-27925-200-00 | LANDING GEAR, BRACKET, 11.25x38in | |
| 01-28094-000-00 | LANDING GEAR, BRACE PLATE, 5x5in |  |
| 04-80272-001-01 | CROSS SHAFT, 76in FW |  |
| 15-03353-001-01 | LANDING GEAR, SUBFRAME ASSY, AVW |  |
| 15-03394-001-00 | BRACE EAR ASSEMBLY |  |

PROPRIETARY LANDING GEAR

| Item | Description |
|------------------|--|
| 04-80307-001-00 | LANDING GEAR, LEG, GEARSIDE, ATLAS 55, 10x10in |
| 04-80307-002-00 | LANDING GEAR, LEG, NONGEAR, ATLAS 55, 10x10 |
| 04-80307-003-00 | LANDING GEAR, LEG, GEARSIDE, ATLAS 55 10x10in |
| 04-80307-004-00 | LANDING GEAR, LEG, NONGEAR, ATLAS 55 10x10 |
| 04-80307-011-00 | LANDING GEAR, LEG, GEARSIDE, ATLAS 55 10x10in |
| 04-80307-012-00 | LANDING GEAR, LEG, NONGEAR, ATLAS 55 10x10 |
| KWCMS-2-33-317-G | LANDING GEAR, LEG, GEARSIDE, KW742955 |
| KWCMS-2-33-317NG | LANDING GEAR, LEG, NON-GEAR, KW742956 |



A400 Series Landing Gear

Design Features



- Internal gearbox protects gears and prevents shaft misalignment.
- Cover and bushings sealed to keep moisture out.
- Double "D" style shaft allows crank force to go directly into the gearbox, not torquing the bolt.
- 10 bolt mounting pattern adds mounting rigidity.
- Reinforcing strap at the bottom of the upper housing for added strength.
- Austempered ductile iron gears will not wear out.

| | |
|----------------|-----------------------------|
| JIA400L-G-17 | LANDING GEAR, LEG NON-GEAR |
| JIA400L-G-19 | LANDING GEAR, LEG, NON-GEAR |
| JIA400L-G3-17 | LANDING GEAR, LEG, NON-GEAR |
| JIA400L-G3-19 | LANDING GEAR, LEG, NON-GEAR |
| JIA400L-T1-17 | LANDING GEAR, LEG, NON-GEAR |
| JIA400L-T1-19 | LANDING GEAR, LEG, NON-GEAR |
| JIA400L-T-17 | LANDING GEAR, LEG, NON-GEAR |
| JIA400L-T-19 | LANDING GEAR, LEG, NON-GEAR |
| JIA400R-G-17 | LANDING GEAR, LEG, GEARSIDE |
| JIA400R-G-19 | LANDING GEAR, LEG, GEARSIDE |
| JIA400R-G3-17 | LANDING GEAR, LEG, GEARSIDE |
| JIA400R-G3-19 | LANDING GEAR, LEG, GEARSIDE |
| JIA400R-T1-17 | LANDING GEAR, LEG, GEARSIDE |
| JIA400R-T-17 | LANDING GEAR, LEG, GEARSIDE |
| JIA400R-T-19 | LANDING GEAR, LEG, GEARSIDE |
| JIA400UL-G3-17 | LANDING GEAR, LEG, NON-GEAR |
| JIA400UR-G3-17 | LANDING GEAR, LEG, GEARSIDE |

Capacities & Ratings

Maximum Static Load Rating*
160,000 lbs

Rated Lift Capacity**:
55,000

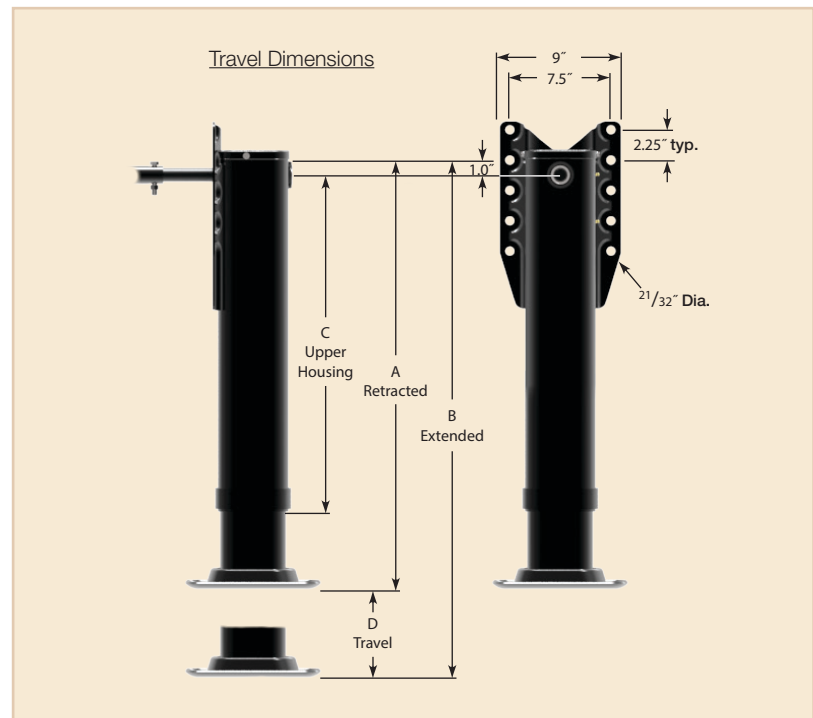
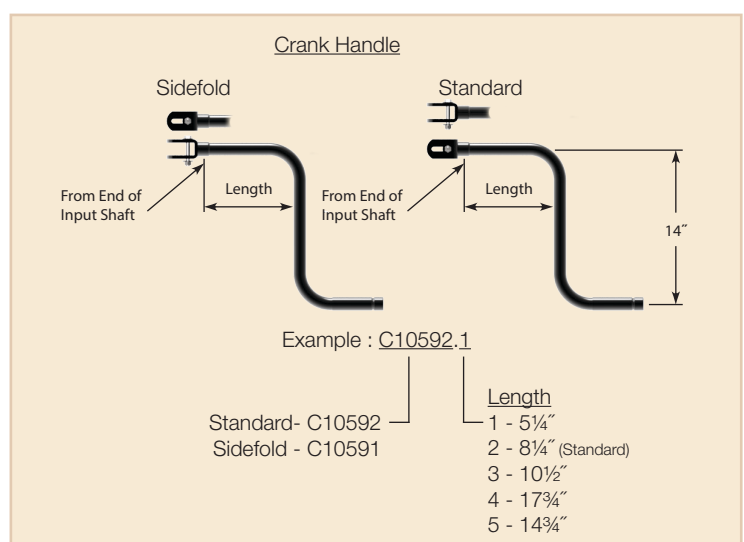
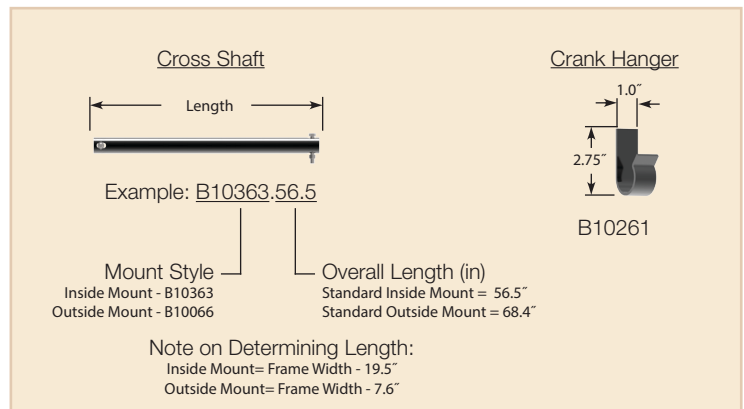
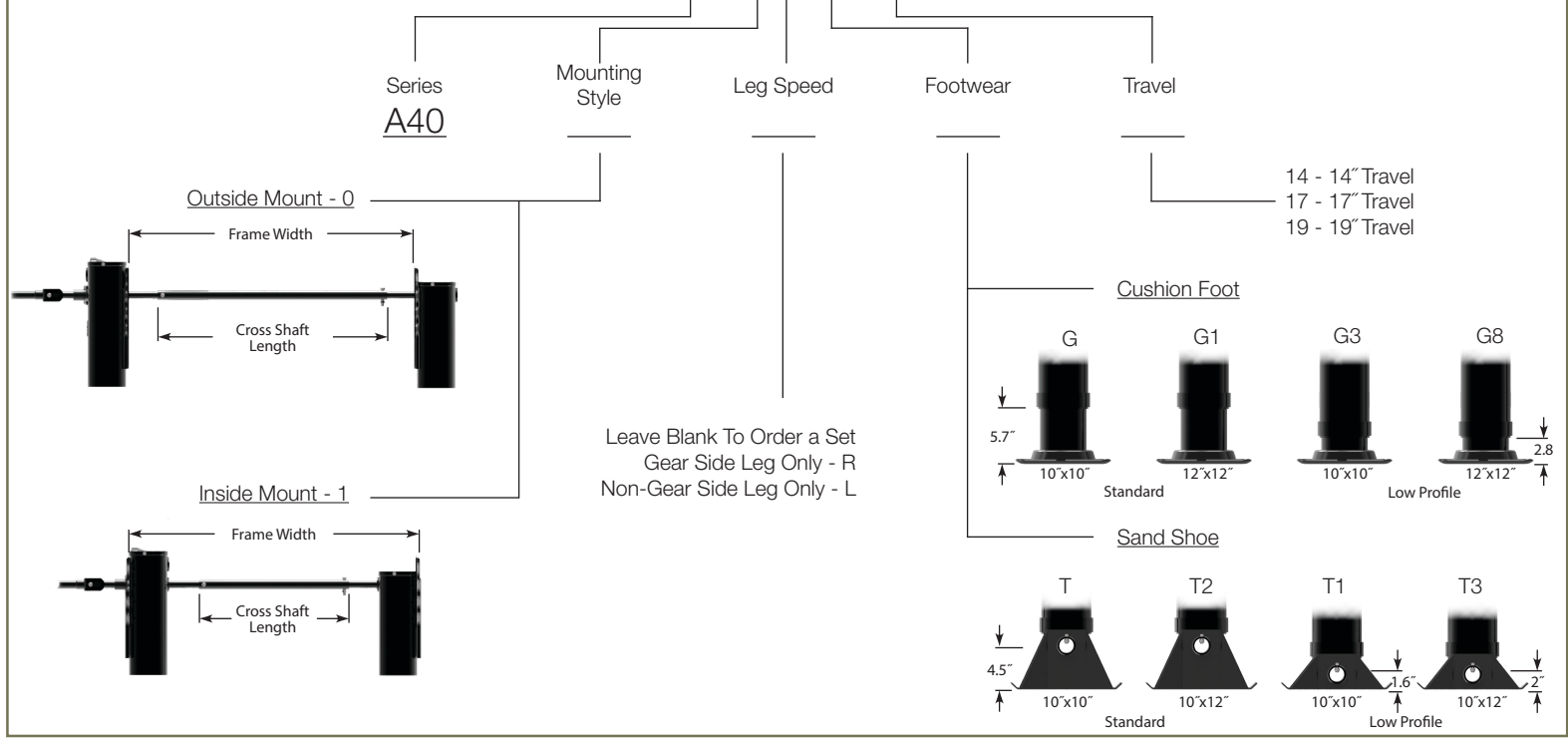
Side Load Capacity*:
29,000 per set

*When properly braced on a trailer.
**With 100ft-lbs input torque.

Gear Ratio
Low Gear: 32 Turns = 1" Travel
High Gear: 3.5 Turns = 1" Travel

| | |
|------------------|-----------------------------|
| JIA401-G3-19 | LANDING GEAR SET |
| JIA401L-G-17 | LANDING GEAR, LEG, NON-GEAR |
| JIA401L-G3-14.08 | LANDING GEAR, LEG, NON-GEAR |
| JIA401L-G3-17 | LANDING GEAR, LEG, NON-GEAR |
| JIA401L-T1-17 | LANDING GEAR, LEG, NON-GEAR |
| JIA401L-T-17 | LANDING GEAR, LEG, NON-GEAR |
| JIA401L-T-19 | LANDING GEAR, LEG, NON-GEAR |
| JIA401R-G1-17 | LANDING GEAR, LEG, GEARSIDE |
| JIA401R-G-17 | LANDING GEAR, LEG, GEARSIDE |
| JIA401R-G3-14.08 | LANDING GEAR, LEG, GEARSIDE |
| JIA401R-G3-17 | LANDING GEAR, LEG, GEARSIDE |
| JIA401R-G3-17.08 | LANDING GEAR, LEG, GEARSIDE |
| JIA401R-T1-17 | LANDING GEAR, LEG, GEARSIDE |
| JIA401R-T-17 | LANDING GEAR, LEG, GEARSIDE |
| JIA401R-T-19 | LANDING GEAR, LEG, GEARSIDE |

A400 .G.17



| D Travel | Shoe Style | | | | | | | | C Upper Hsg. |
|----------|------------|---------|---------|---------|---------|---------|------------|---------|--------------|
| | G, G1 | | T, T2 | | T3 | | T1, G3, G8 | | |
| | Ext. | Ret. | Ext. | Ret. | Ext. | Ret. | Ext. | Ret. | |
| 14 | 42 5/8" | 28 5/8" | 42 3/4" | 28 3/4" | 40 1/4" | 26 1/4" | 39 3/4" | 25 3/4" | 21 15/16" |
| 17 | 48 5/8" | 31 5/8" | 48 3/4" | 31 3/4" | 46 1/4" | 29 1/4" | 45 3/4" | 28 3/4" | 24 15/16" |
| 19 | 52 5/8" | 33 5/8" | 52 3/4" | 33 3/4" | 50 1/4" | 31 1/4" | 49 3/4" | 30 3/4" | 26 15/16" |



A440 Magnum Series Landing Gear



Design Features

- Elevating screw is fully encased in a grease tube.
- Legs are completely sealed and all shafts have seals to keep moisture out.
- Double "D" style shaft allows crank force to go directly into the gearbox, not torquing the bolt.
- Gearbox is completely filled with low temperature grease.
- Austempered ductile iron gears will not wear out.
- 10 bolt mounting pattern adds mounting rigidity.
- Reinforcing strap at the bottom of the upper housing for added strength.

Capacities & Ratings

Maximum Static Load Rating*
170,000 lbs

Rated Lift Capacity**:
62,500 lbs

Side Load Capacity*:
33,000 lbs per set

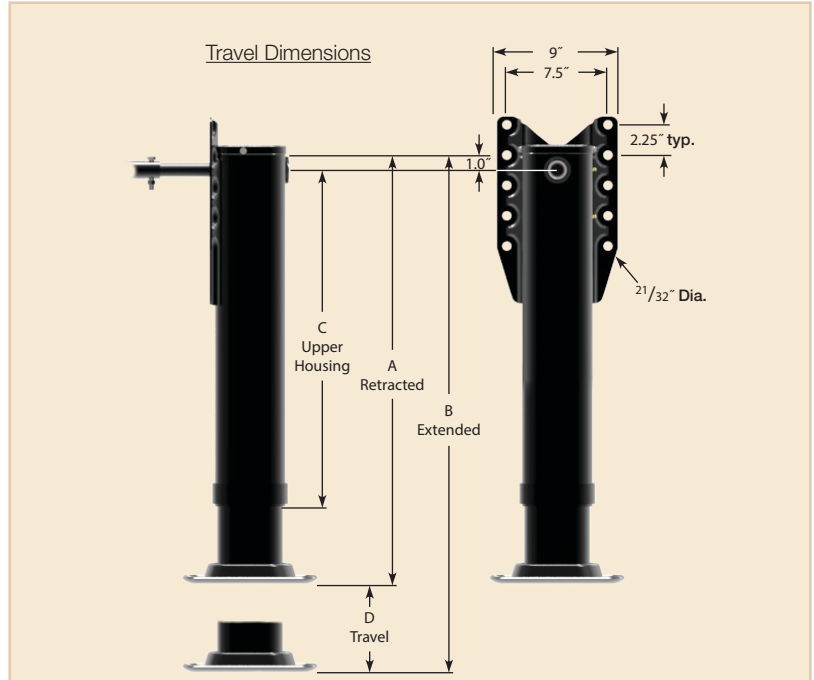
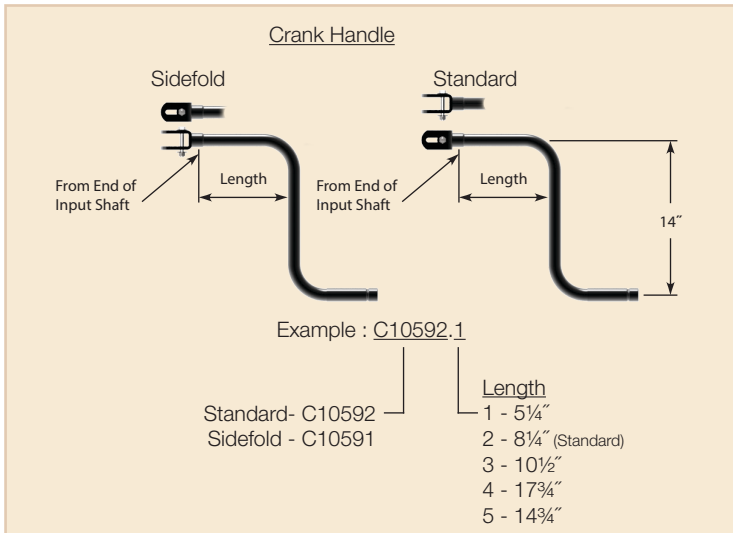
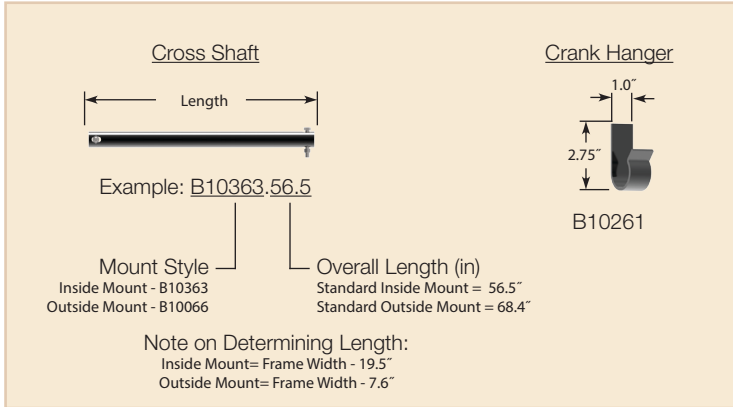
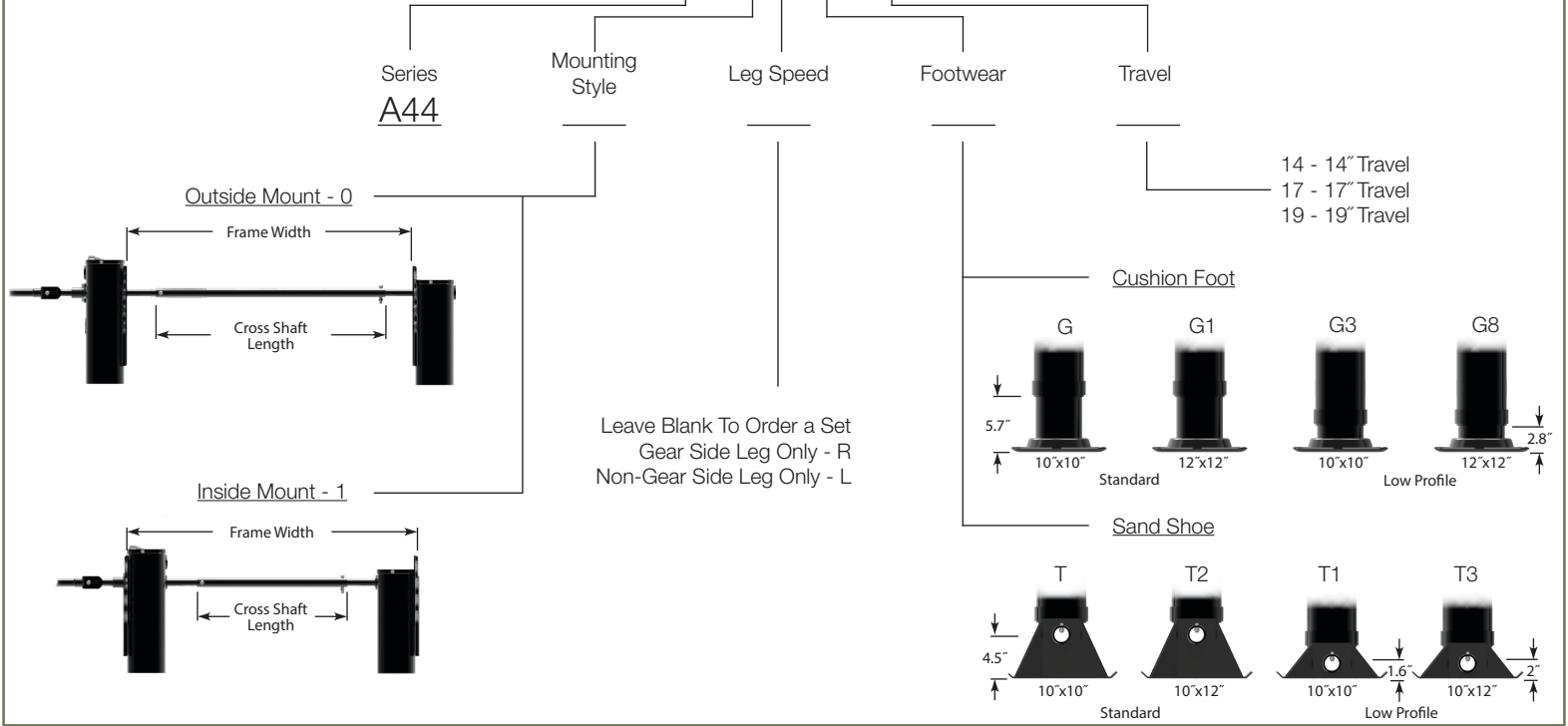
*When properly braced on a trailer.
**With 100ft-lbs input torque.

Gear Ratio
Low Gear: 32 Turns = 1" Travel
High Gear: 3.5 Turns = 1" Travel

5 Years Maintenance Free

| | |
|------------------|--|
| JIA440L-G3-17 | LANDING GEAR, LEG, NON-GEAR |
| JIA440L-T-17 | LANDING GEAR, LEG, NON-GEAR |
| JIA440R-G3-17 | LANDING GEAR, LEG, GEARSIDE |
| JIA440R-T-17 | LANDING GEAR, LEG, GEARSIDE |
| JIA440ULG3-17.36 | LANDING GEAR, LEG, NON-GEAR |
| JIA440URG3-17.36 | LANDING GEAR, LEG, GEARSIDE |
| JIA441L-G-170838 | LANDING GEAR, LEG NON-GEAR INSIDE MT |
| JIA441L-G3-17 | LANDING GEAR, LEG, NON-GEAR |
| JIA441L-G3-19 | LANDING GEAR, LEG, NON-GEAR |
| JIA441L-T13-17 | LANDING GEAR, LEG, NON-GEAR |
| JIA441R-G-170838 | LANDING GEAR, LEG, GEARSIDE |
| JIA441R-G3-17 | LANDING GEAR, LEG, GEARSIDE |
| JIA441R-G3-19 | LANDING GEAR, LEG, GEARSIDE |
| JIA441R-T13-17 | LANDING GEAR, LEG, GEARSIDE |
| JIA451L-G3-17 | LANDING GEAR, LEG, NON-GEAR |
| JIA451R-G3-17 | LANDING GEAR, LEG GEARSIDE |
| JIAX100R-T-17 | LANDING GEAR, LEG, GEARSIDE, ALUMINIUM |

A440 .G.17



| D Travel | Shoe Style | | | | | | | | C Upper Hsg. |
|----------|------------|---------|---------|---------|---------|---------|------------|---------|--------------|
| | G, G1 | | T, T2 | | T3 | | T1, G3, G8 | | |
| | Ext. | Ret. | Ext. | Ret. | Ext. | Ret. | Ext. | Ret. | |
| 14 | 42 5/8" | 28 5/8" | 42 3/4" | 28 3/4" | 40 1/4" | 26 1/4" | 39 3/4" | 25 3/4" | 21 15/16" |
| 17 | 48 5/8" | 31 5/8" | 48 3/4" | 31 3/4" | 46 1/4" | 29 1/4" | 45 3/4" | 28 3/4" | 24 15/16" |
| 19 | 52 5/8" | 33 5/8" | 52 3/4" | 33 3/4" | 50 1/4" | 31 1/4" | 49 3/4" | 30 3/4" | 26 15/16" |



A450 Magnum Series Landing Gear



Design Features

- Increased lift nut hardness to increase strength and reduce wear.
- Elevating screw is fully encased in a rechargeable powder coated grease tube.
- Legs are completely sealed and all shafts have seals to keep moisture out.
- Double "D" style shaft allows crank force to go directly into the gearbox, not torquing the bolt.
- Gearbox is completely filled with low temperature grease.
- Hole added to lower leg to access grease fitting in rechargeable grease tube.
- Replaceable cushion foot for easy repair when worn or damaged.
- Austempered ductile iron gears will not wear out.

Capacities & Ratings

Maximum Static Load Rating*
170,000 lbs

Rated Lift Capacity**:
62,500

Side Load Capacity*:
33,000 per set

*When properly braced on a trailer.

**With 100ft-lbs input torque.

Gear Ratio

Low Gear: 32 Turns = 1" Travel

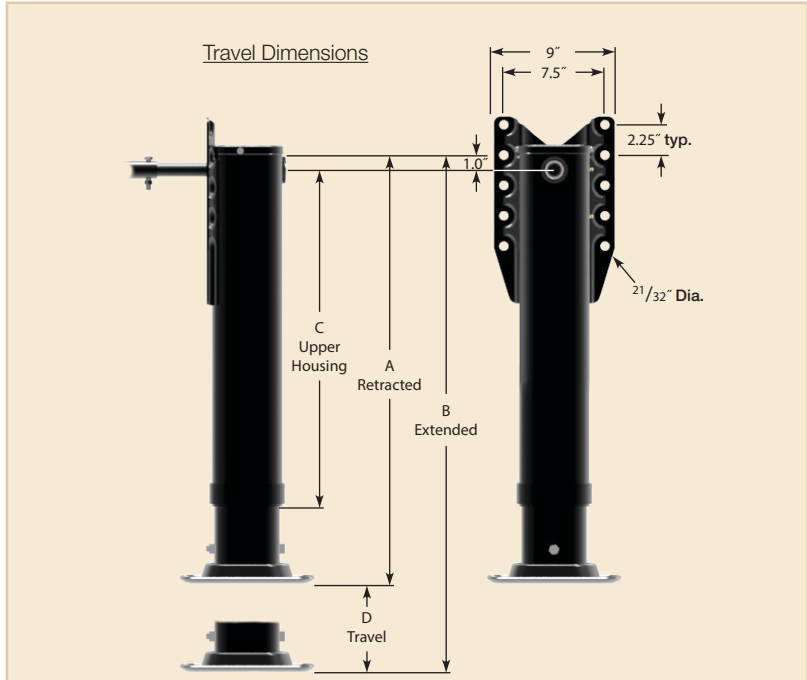
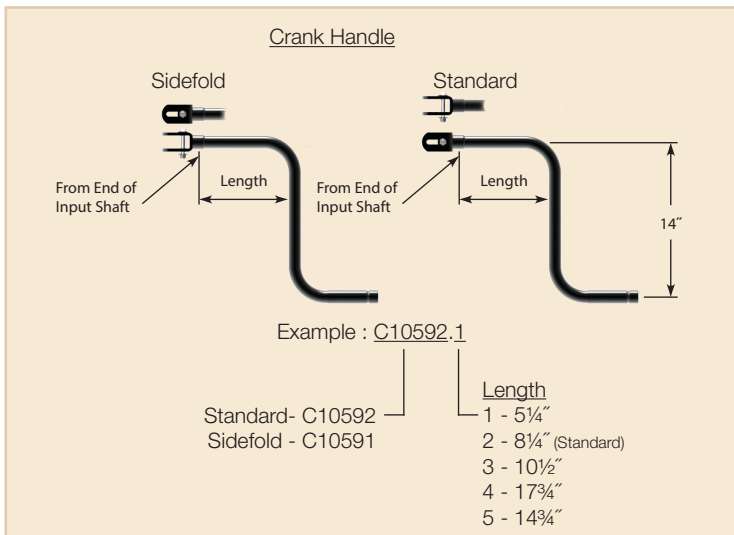
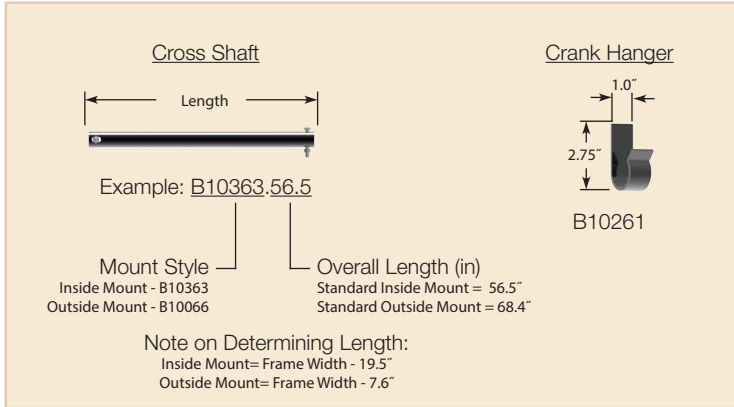
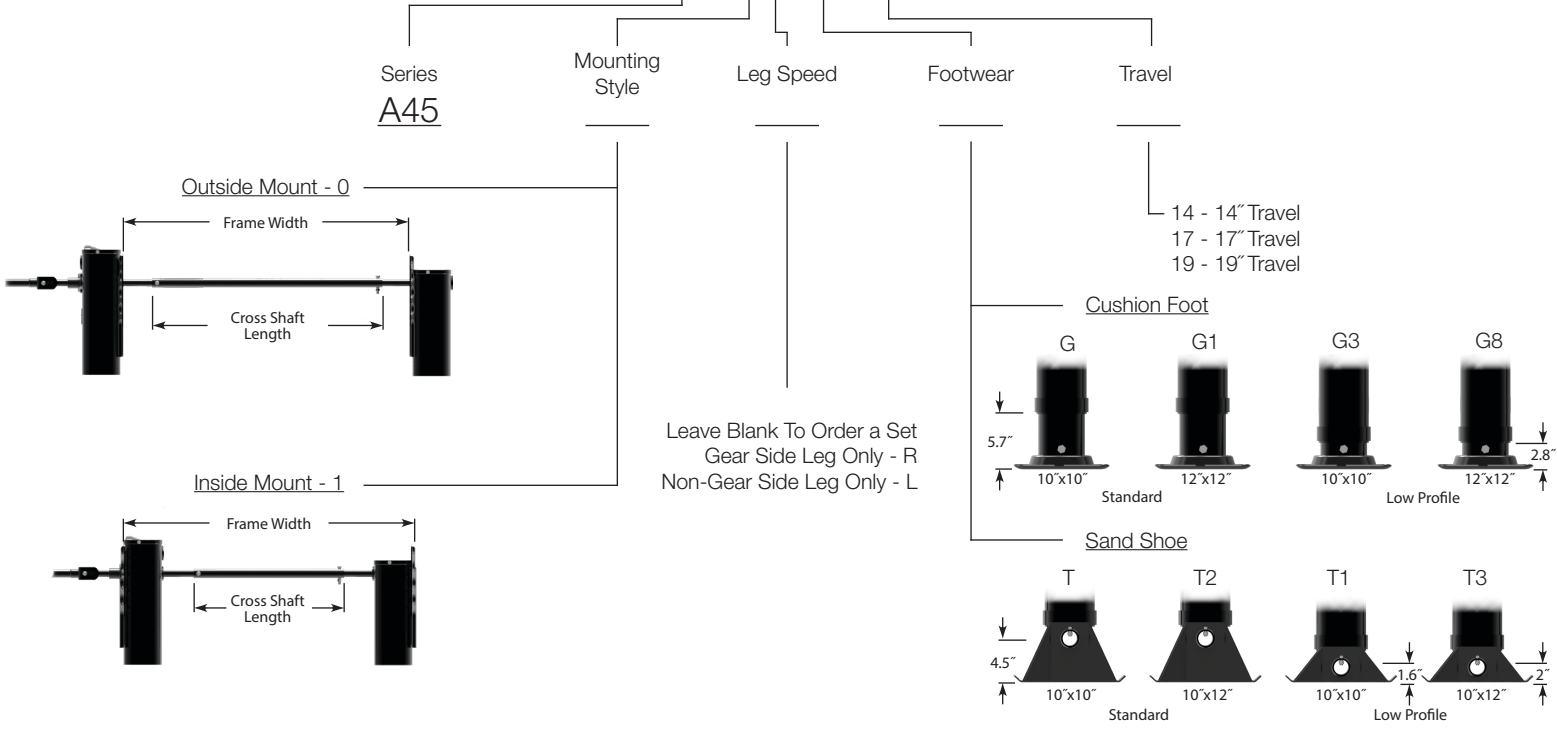
High Gear: 3.5 Turns = 1" Travel

10 Year Extended Warranty
5 Years Maintenance Free

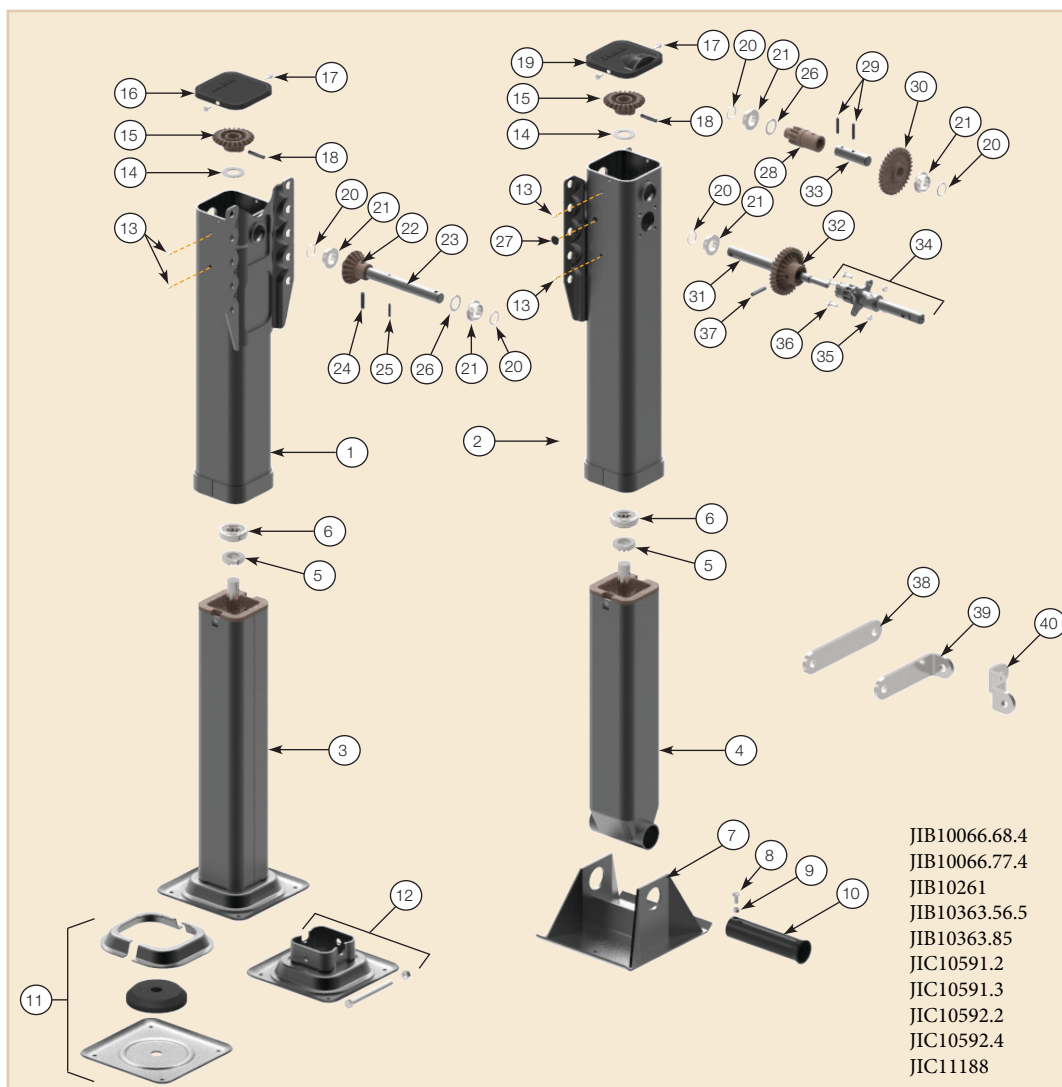
JIA451L-G3-17
JIA451R-G3-17

LANDING GEAR, LEG, NON-GEAR
LANDING GEAR, LEG GEARSIDE

A450 .G.17



| D Travel | Shoe Style | | | | | | | | C Upper Hsg. |
|----------|------------|---------|---------|---------|---------|---------|------------|---------|--------------|
| | G, G1 | | T, T2 | | T3 | | T1, G3, G8 | | |
| | Ext. | Ret. | Ext. | Ret. | Ext. | Ret. | Ext. | Ret. | |
| 14 | 42 5/8" | 28 5/8" | 42 3/4" | 28 3/4" | 40 1/4" | 26 1/4" | 39 3/4" | 25 3/4" | 21 15/16" |
| 17 | 48 5/8" | 31 5/8" | 48 3/4" | 31 3/4" | 46 1/4" | 29 1/4" | 45 3/4" | 28 3/4" | 24 15/16" |
| 19 | 52 5/8" | 33 5/8" | 52 3/4" | 33 3/4" | 50 1/4" | 31 1/4" | 49 3/4" | 30 3/4" | 26 15/16" |



- JIB10066.68.4 CROSS SHAFT, 68.4in
- JIB10066.77.4 CROSS SHAFT, 77.4in
- JIB10261 CRANK HANDLE HANGER
- JIB10363.56.5 CROSS SHAFT, 56.5in
- JIB10363.85 CROSS SHAFT, 85in
- JIC10591.2 CRANK HANDLE, HORIZONTAL
- JIC10591.3 CRANK HANDLE, HORIZONTAL, 12.57in
- JIC10592.2 CRANK HANDLE, VERTICAL
- JIC10592.4 CRANK HANDLE, VERTICAL
- JIC11188 REMOVABLE CUSHION FOOT, 10x10in

| Item | Part Number | Description |
|------|-------------------|--|
| 1 | Please Call Sales | Single Speed Upper Weldment |
| 2 | Please Call Sales | Two Speed Upper Weldment |
| 3 | Please Call Sales | Lower Leg Assembly for Cushion Foot |
| 4 | Please Call Sales | Lower Leg Assembly for Sand Shoe |
| 5 | JIA10101 | Collar |
| 6 | Please Call Sales | Thrust Bearing |
| 7 | Please Call Sales | Sand Shoe |
| 8 | JIA10037.3 | Hex Head Cap Screw |
| 9 | JIA10038.7 | Lock Nut |
| 10 | JIB10036 | Axle |
| 11 | JIC10717 | 10"x10" Weld On Cushion Foot Replacement Kit |
| 11 | JIC10989 | 12"x12" Weld On Cushion Foot Replacement Kit |
| 12 | JII2497 | 10"x10" Bolt On Cushion Foot Replacement Kit |
| 12 | JII2496 | 12"x12" Bolt On Cushion Foot Replacement Kit |
| 13 | JIA10040 | Grease Fitting |
| 14 | JIA10102 | Thrust Washer |
| 15 | JIC10155 | Bevel Gear |
| 16 | JIC10259 | Single Speed Cover |
| 17 | JIA10059.1 | Cover Screw |
| 18 | JIA10052.3 | Grooved Pin |
| 19 | JIC10217 | Two Speed Cover |

| Item | Part Number | Description |
|------|-------------|----------------------------|
| 20 | JIA10283 | Shaft Seal |
| 21 | JIA10255 | Shaft Bushing |
| 22 | JIC10177 | Pinion Gear |
| 23 | JIB10130 | Single Speed Input Shaft |
| 24 | JIA10054.3 | Roll Pin |
| 25 | JIA10054.6 | Roll Pin |
| 26 | JIA10218 | Washer |
| 27 | JIA10500 | Button Plug |
| 28 | JIC10078 | Output Spur Gear |
| 29 | JIA10260.1 | Spiral Pin |
| 30 | JIC10085 | Spur Idler Gear |
| 31 | JIB10236 | Two Speed Output Shaft |
| 32 | JIC10234 | Output Cluster Gear |
| 33 | JIA10212 | Two Speed Idler Shaft |
| 34 | JIB10285 | Shifter Assembly |
| 35 | JIA10038.6 | Lock Nut |
| 36 | JIA10230 | Shifter Housing Bolt |
| 37 | JIA10054.7 | Roll Pin |
| 38 | JIC10262 | Brace Lug - Flat |
| 39 | JIC10263 | Brace Lug - 90° |
| 40 | JIC10108 | Brace Lug - "W" (Standard) |

SAF-Holland

ORIGINAL PARTS™



Classic

Atlas 55

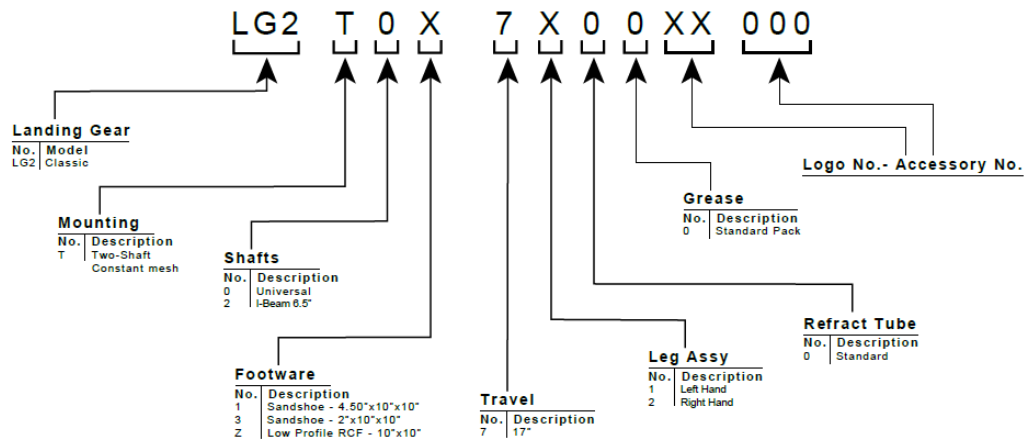
Atlas 65

Mark V

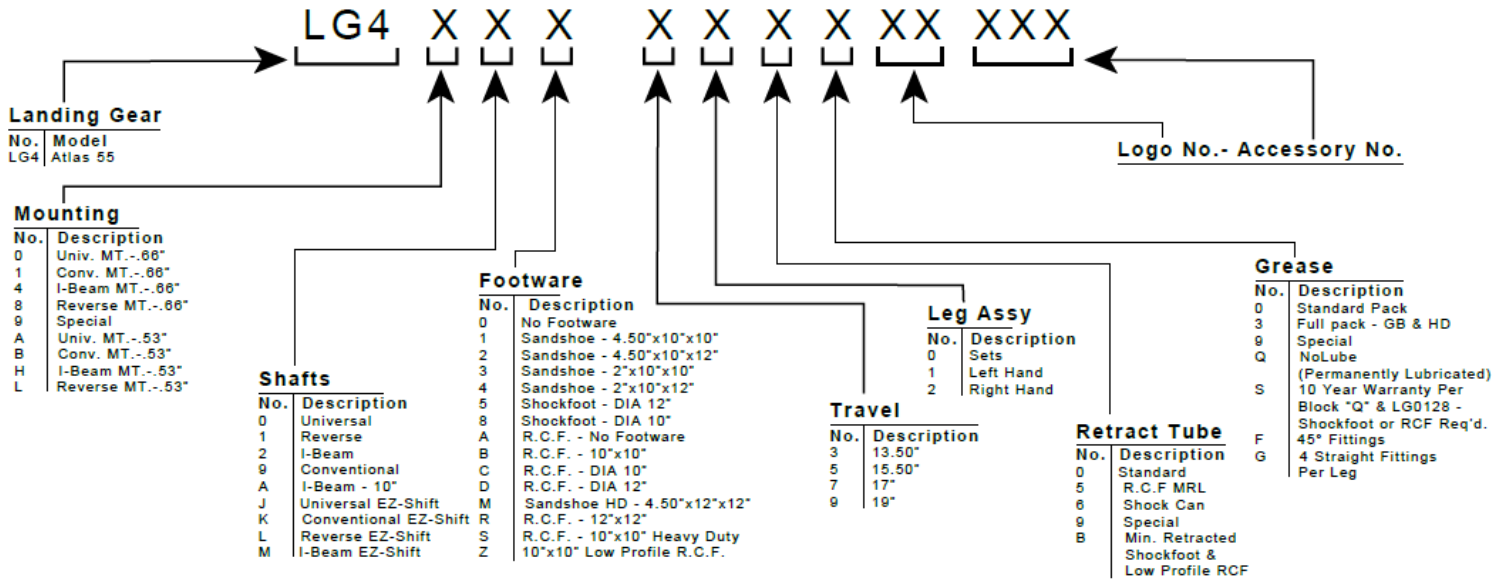


| Capacity | Classic | Atlas 55 | Atlas 65 | Mark V |
|---------------------------------|--------------|--------------|--------------|----------------|
| Lift* | 39,000 lbs. | 55,000 lbs. | 65,000 lbs. | 62,500 lbs. |
| Load | 140,000 lbs. | 170,000 lbs. | 170,000 lbs. | 200,000 lbs. |
| Side Load | 27,000 lbs. | 30,000 lbs. | 34,000 lbs. | 32,000 lbs. ** |
| Gearing (Turns per Inch) | | | | |
| High Gear | 3.2 | 4.5 | 4.5 | 2.5 |
| Low Gear | 19 | 38.7 | 38.7 | 33.8 |
| *100ft./lbs. Input Torque (lbs) | | | | |
| **Mark V Heavy-Duty 46,000 lbs. | | | | |

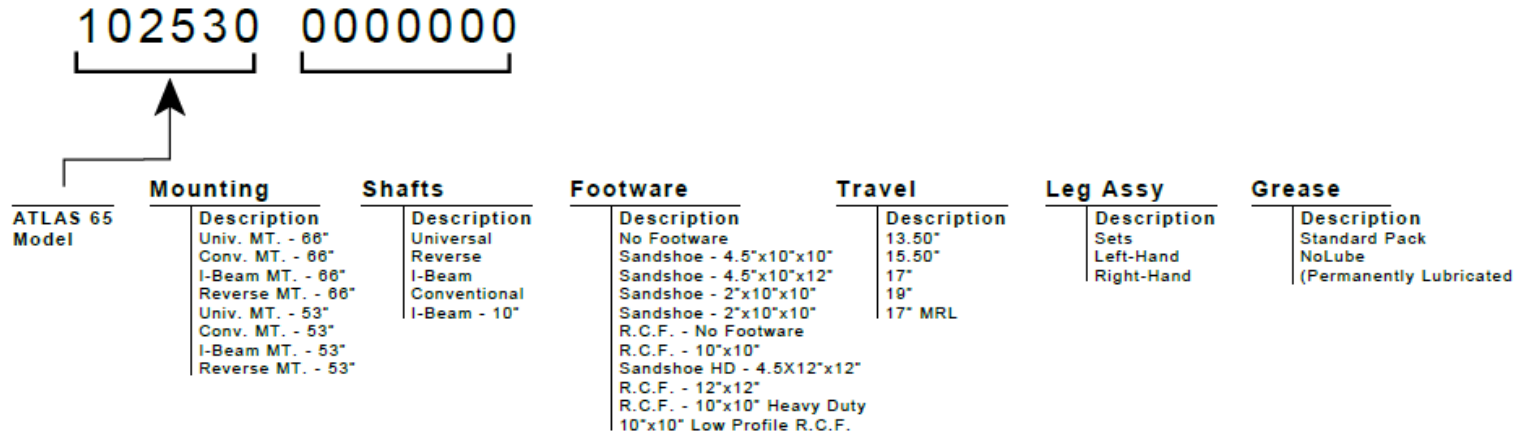
Classic Ordering Guide



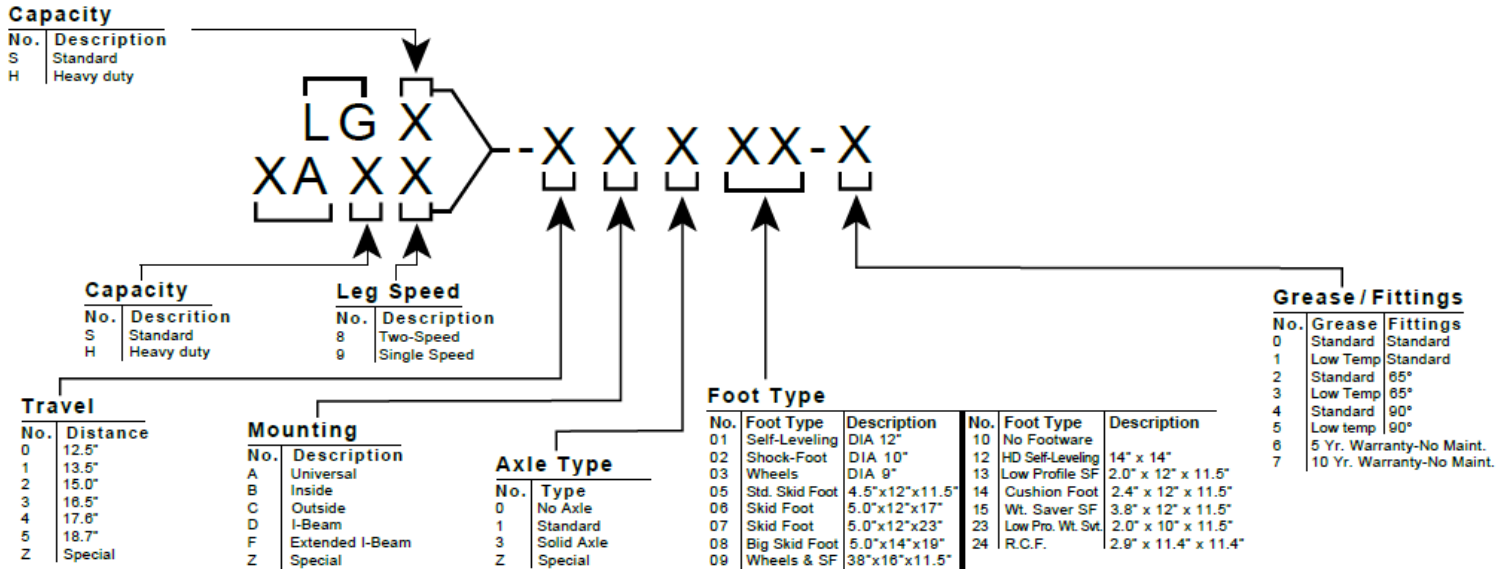
Atlas 55 Ordering Guide



Atlas 65 Ordering Guide



Mark V Ordering Guide



| Style | Stoughton Item # | Vendor Item # | Item Description |
|----------|----------------------|------------------|---|
| Classic | KW18-30-444-102 | LG2T01-710000000 | STANDARD, 17IN. TRAVEL, SS, NON-GEAR |
| Classic | KW8-30-444-102 | LG2T01-720000000 | STANDARD, 17IN. TRAVEL, SS, GEARSIDE |
| Classic | KW18-30-400-102 | LG2T03-710000000 | LOW-PROFILE, 17IN. TRAVEL, SS, NON-GEAR |
| Classic | KW8-30-400-102 | LG2T03-720000000 | LOW-PROFILE, 17IN. TRAVEL, SS, GEARSIDE |
| ATLAS 55 | BKLG4001-71 | LG4001-710000000 | 17IN. TRAVEL, STANDARD, SS, NON-GEAR |
| ATLAS 55 | BKLG4001-72 | LG4001-720000000 | 17IN. TRAVEL, STANDARD, SS, GEARSIDE |
| ATLAS 55 | BKLG4001-91 | LG4001-910000000 | 19IN. TRAVEL, STANDARD, SS, NON-GEAR |
| ATLAS 55 | BKLG4001-92 | LG4001-920000000 | 19IN. TRAVEL, STANDARD, SS, GEARSIDE |
| ATLAS 55 | SAF-LG4003-710000000 | LG4003-710000000 | 17IN. TRAVEL, LOW-PROFILE, SS, NON-GEAR |
| ATLAS 55 | SAF-LG4003-720000000 | LG4003-720000000 | 17IN. TRAVEL, LOW-PROFILE, SS, GEARSIDE |
| ATLAS 55 | BKLG4003-91 | LG4003-910000000 | 19IN. TRAVEL, LOW-PROFILE, SS, NON-GEAR |
| ATLAS 55 | BKLG4003-92 | LG4003-920000000 | 19IN. TRAVEL, LOW-PROFILE, SS, GEARSIDE |
| ATLAS 55 | BKLG400B-71 | LG400B-710000000 | 17IN. TRAVEL, REMOVABLE CUSHION FOOT, SS, NON-GEAR |
| ATLAS 55 | BKLG400B-72 | LG400B-720000000 | 17IN. TRAVEL, REMOVABLE CUSHION FOOT, SS, GEARSIDE |
| ATLAS 55 | BKLG400B-91 | LG400B-910000000 | 19IN. TRAVEL, REMOVABLE CUSHION FOOT, SS, NON-GEAR |
| ATLAS 55 | BKLG400B-92 | LG400B-920000000 | 19IN. TRAVEL, REMOVABLE CUSHION FOOT, SS, GEARSIDE |
| Atlas 65 | BKLG5001-72 | 1025300006450 | STANDARD, 17IN. TRAVEL, SS, GEARSIDE |
| Atlas 65 | BKLG5001-71 | 1025300006460 | STANDARD, 17IN. TRAVEL, SS, NON-GEAR |
| Atlas 65 | SAF-1025300006610 | 1025300006610 | LOW-PROFILE, 17IN. TRAVEL, SS, GEARSIDE |
| Atlas 65 | SAF-1025300006620 | 1025300006620 | LOW-PROFILE, 17IN. TRAVEL, SS, NON-GEAR |
| Mark V | HHLGS-5A105 | LGS-5A105 | STANDARD, SS SET, 18.7IN. TRAVEL |
| Mark V | HHXA-S8-3A001 | XA-S8-3A001 | SELF-LEVELER, SS, GEARSIDE, 16.5IN TRAVEL- LEG ONLY |
| Mark V | HHXA-S8-5A001 | XA-S8-5A001 | SELF-LEVELER, SS, GEARSIDE, 18.7IN. TRAVEL - LEG ONLY |
| Mark V | HHXA-S8-5A105 | XA-S8-5A105 | STANDARD, SS, GEARSIDE, 18.7IN TRAVEL - LEG ONLY |
| Mark V | HHXA-S9-3A001 | XA-S9-3A001 | SELF-LEVELER, SS, NON-GEAR, 16.5IN TRAVEL - LEG ONLY |
| Mark V | HHXA-S9-5A001 | XA-S9-5A001 | SELF-LEVELER, SS, NON-GEAR, 18.7IN TRAVEL - LEG ONLY |
| Mark V | HHXA-S9-5A105 | XA-S9-5A105 | STANDARD, SS, NON-GEAR, 18.7IN TRAVEL - LEG ONLY |

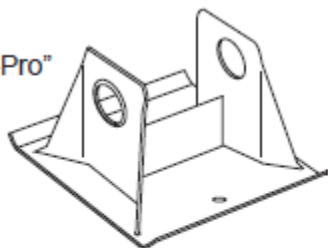


| LANDING GEAR – HARDWARE & BRACING | |
|-----------------------------------|-----------------------------------|
| HHXA-V-1901-1 | AXLE, STD |
| BKLG0048-01 | CUSHION KIT, SQ. RCF, 10x10in |
| BKLG0050 | SHOE ASSY, 10x12x4.5in |
| BKLG0094 | CROSS SHAFT, 68in ONE END DRILLED |
| BKLG0094-6800 | CROSS SHAFT, 68in |
| BKLG0264 | COVER, 50,000 |
| BKLG0663 | GEARBOX ASSY, OUTSIDE HALF |
| BKLG2462 | SHAFT EXTENSION |
| BKLG2790 | LANDING GEAR INSTALLATION KIT |
| BKLG0083-04 | CRANK HANDLE, 12in |
| BKXB-SP0011-44 | HEX NUT, 3/4-16, GR8, U-BOLT |
| BKXB-SP0012-36 | FLANGE NUT, 7/8-14 |
| HHRK-V-06388 | MARK V COMPONENT KIT |
| HHXA-LG0880 | COVER, UPPER LEG |
| HHXA-V-1914 | CRANK HANDLE CLIP |
| HHXA-V-1938 | BRACE EAR |
| HHXA-V-1996-01 | FOOT, SELF LEVELING 12.0IN DIA |
| HHXA-V-90-0 | CRANK HANDLE, 9.18in |
| HHXA-V-90-10 | CRANK HANDLE, 17in |

| LANDING GEAR – HARDWARE & BRACING | |
|-----------------------------------|--------------------------------|
| HHXA-V-90-2 | CRANK HANDLE, 11.62in |
| HHXA-V-90-4 | CRANK HANDLE, 10.62in |
| HHXA-V-90-5 | CRANK HANDLE, 14.5in |
| KW112003 | SPEED CRANK HANDLE |
| KW6884-FW | CROSS SHAFT, 67in |
| KW716059 | REMOVABLE CUSHION FOOT KIT |
| KW741158 | GEARBOX COVER ASSY, 2-BUSHINGS |
| KW8984 | COVER |
| KWJ-27BX-3 | CRANK HANDLE |
| KWJ-4890 | BRACE EAR, SQUARE LEG |
| SAF-112005 | SPEED CRANK 20IN VERTICAL |
| SAF-50618041 | BRACE LUG |
| SAF-50618042 | BRACE LUG |
| SAF-50618043 | BRACE LUG |
| SAF-50644000 | CRANK HANDLE, UNIVERSAL |
| SAF-742119 | GEARBOX ASSEMBLY |
| SAF-743083 | GEARBOX ASSEMBLY - WILSON |
| SAF-XA-57513 | CYLINDER ASSY, 3INX10-1/2IN |

ALL MAKES LANDING GEAR ACCESSORIES

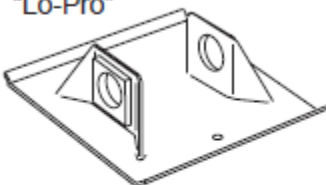
"Hi-Pro"



STANDARD DESIGN

| Stoughton Number | Size |
|--------------------|-----------|
| FE013-01192 | 10" x 10" |
| P05-300 | 10" x 10" |

"Lo-Pro"



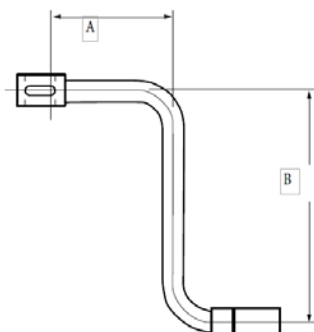
LOW MOUNT STYLE

| Stoughton Number | Size |
|--------------------|-----------|
| FE013-00073 | 10" x 10" |
| P05-310 | 10" x 10" |



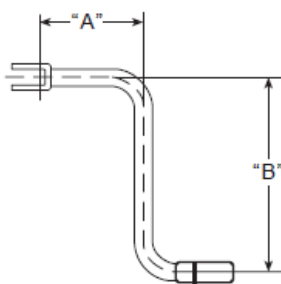
ADJUSTABLE CROSS SHAFT

| Stoughton Number | Adjustable Length |
|--------------------|---------------------|
| FE012-00003 | 53" to 71" |
| TCS-2947 | 29" to 47" Flexible |
| TCS-4479 | 44" to 79" Flexible |



VERTICAL FOLDING CRANKS

| Stoughton Number | "A" | "B" |
|----------------------|---------|---------|
| FE013-00436 | 7 1/2" | 13 1/2" |
| P03-109PR-V | 10" | |
| P03-211-H | 11" | |
| FE013-00437 | 11 1/2" | 13 1/2" |
| P03-215V | 16 1/4" | 13 1/2" |
| FE013-00439 | 16 1/4" | |
| P03-221V | 20" | 13 1/2" |
| FE013-00440 | 21" | |
| PRO-1003-1367 | 21" | |



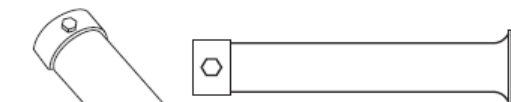
HORIZONTAL FOLDING CRANKS

| Stoughton Number | "A" | "B" |
|--------------------|---------|---------|
| FE013-00426 | 7 1/2" | 13 1/2" |
| FE013-00427 | 11 1/2" | 13 1/2" |
| P03-215-H | 16 1/4" | 13 1/2" |
| P03-221H | 20" | 13 1/2" |



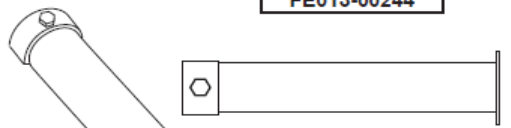
TWO-PIECE ADJUSTABLE BRACE

| Stoughton Number | Adjustable Length |
|---------------------|-------------------|
| FE013-00991 | 26" to 41" HD |
| FE013-00992 | 42" x 57" HD |
| FE013-00993 | 58" to 72" HD |
| P04-10-26-41 | 26" to 41" |
| P04-10-42-57 | 42" to 57" |
| P04-10-56-72 | 58" to 72" |
| P04-40-26-41 | 26" to 41" HD |



FLARED END AXLE & HARDWARE KITS

| Stoughton Number |
|--------------------|
| FE013-00232 |
| FE013-00240 |
| FE013-00244 |



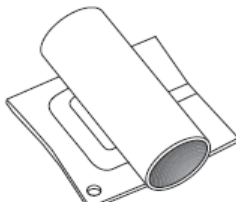
WELDED CAP AXLE & HARDWARE KITS

| Stoughton Number |
|------------------|
| P06-411 |



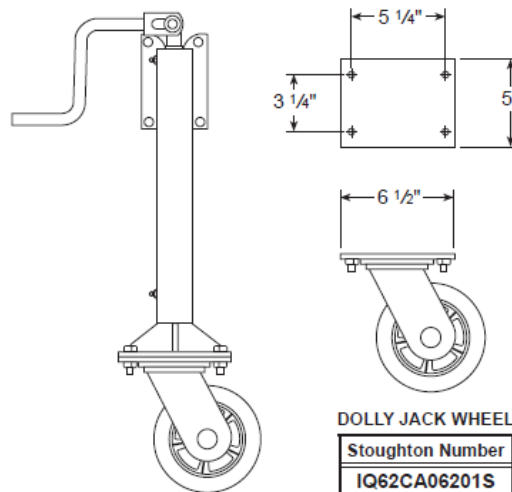
AXLE ASSEMBLY - SAND SHOE

| Stoughton Number |
|------------------|
| P06-410 |



AXLE HOUSING

| Stoughton Number |
|------------------|
| P06-345 |



DOLLY JACK

| Stoughton Number |
|---------------------|
| HHJS-300-B6S |

S = Steel Wheel

DOLLY JACK WHEEL

| Stoughton Number |
|---------------------|
| IQ62CA06201S |

| ALL MAKES LANDING GEAR ACCESSORIES | | |
|------------------------------------|--|-------------|
| ITEM | DESCRIPTION | BRAND NAME |
| GD#09954 | MOUNTING BRACKET | |
| GD#09955 | MOUNTING BRACKET | |
| TM4-A1-224L | LANDING GEAR, MOUNTING BRACKET, RDSD | TRAILMOBILE |
| TM4-A1-224R | LANDING GEAR, MOUNTING BRACKET, CBSD | |
| UT-03-0275-0-111 | ANGLE PRSG 12GA | |
| UT-03-1103-0-077 | LANDING GEAR, BRACKET, WING-TYPE, RDSD | |
| UT-03-1103-0-078 | LANDING GEAR, BRACKET, WING-TYPE, CBSD | |
| UT-03-1105-0-002 | BRACKET FILLER 5/16 X 103/4in | |
| UT-03-1105-0-005 | BRACKET BRACE PLATE R/H 5/16 | |
| UT-03-1105-0-012 | BRACKET BEARING R/S 1/4X17 3/16 | |
| UT-03-1105-0-013 | BRACKET BEARING C/S 1/4X17 3/16 | |
| UT-04-1900-0-047 | BRACE, CHANNEL LEG 70 3/4 in | |

AT STOUGHTON, IT'S ABOUT MORE THAN JUST PARTS.

Stoughton Parts focuses its efforts on being a premier value-added supplier to the heavy duty aftermarket. We pride ourselves on our industry leading customer service, order fill rate and order fill accuracy.

YOU CAN EXPECT:

- ▶ Thousands of parts in stock every day
- ▶ Not only top quality Stoughton parts but competitive make/model parts
- ▶ Personalized service
- ▶ Experienced and knowledgeable technical support
- ▶ Online ordering, tracking and invoice access capabilities
- ▶ Weekly delivery routes to minimize freight costs along with daily parcel & TL shipping

1112 Veterans Rd. Stoughton, WI 53589 | Phone 608.873.2900 | Fax 608.873.2870
www.stoughtonparts.com

