

2.83

3-SHAFT GEAR BOX - TRIANGLE SHAPE WITH SLIM INNER GEARBOX COVER AND CONSTANT MESH GEAR DESIGN

HEXAGONAL SLIP FIT BUSHINGS MOUNTING PLATE SIDE

OPTIONAL LOW PROFILE RCF NOT AVAILABLE ON 51000

ATLAS 55

3.91

3-SHAFT GEAR BOX - TRIANGLE SHAPE

2-PIECE HEXAGONAL FIT BUSHING MOUNTING PLATE SIDE

SLIM BAND

51000

2.83

3-SHAFT GEAR BOX - TRIANGLE SHAPE WITH SLIM INNER GEARBOX COVER AND CONSTANT MESH GEAR DESIGN

HEXAGONAL SLIP FIT BUSHINGS MOUNTING PLATE SIDE

OPTIONAL LOW PROFILE RCF NOT AVAILABLE ON 50000

ATLAS 65

3.91

3-SHAFT GEAR BOX - TRIANGLE SHAPE

2-PIECE HEXAGONAL FIT BUSHING MOUNTING PLATE SIDE

TAPERED MOUNTING PLATE

SLIM BAND

50000

2-SHAFT SLIM GEAR BOX

FG4000

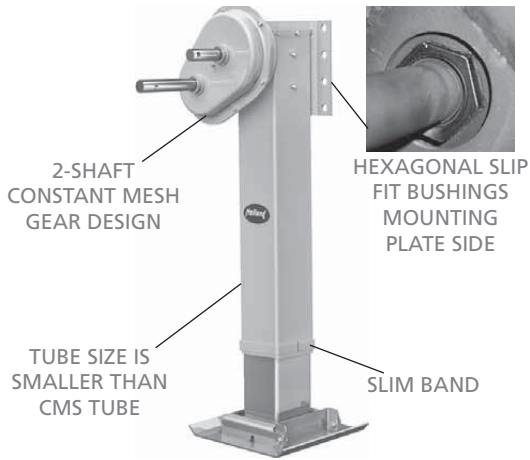
2-SHAFT CONSTANT MESH GEAR DESIGN

ROUND BUSHING MOUNTING PLATE SIDE

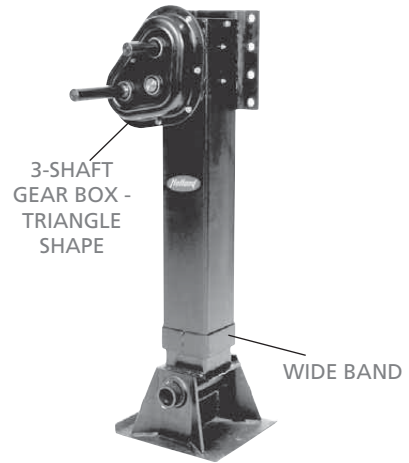
TUBE SIZE IS LARGER THAN CLASSIC TUBE

WIDE BAND

CMS2



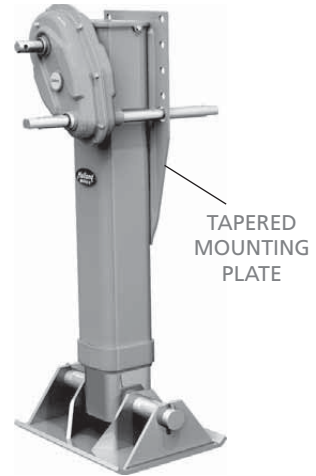
CLASSIC



CMS3



MARK V



MARK V HD



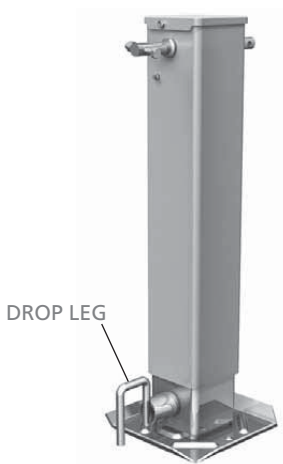
Dual-Pin Drop Leg



4700 Series



4701 Series



48000 Series



49000 Gooseneck



Anti-Nose Dive



JS150-SB



JS-2000



JS300