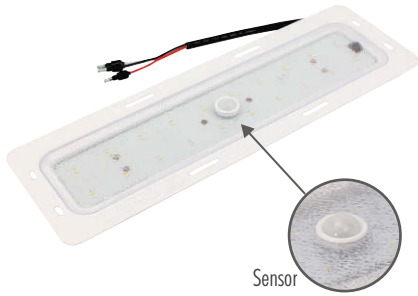


# PERMALITE™ XB LED DOME LAMPS



- Up to two times brighter than the competition
- Fits almost any application with a slim, light weight design and universal mounting holes
- Available with PIR motion sensor – Light automatically turns on and off
- Consistent lamp light output throughout voltage range

## PERMALITE™ XB High Efficiency LED with PIR Motion Sensor



**51-22221** Dome lamp, 20 LEDs, 2200 lumens, aluminum housing, PIR motion sensor, individual retail box

**51-22224** Dome lamp, 20 LEDs, 2200 lumens, aluminum housing, PIR motion sensor, bulk pack, 6 pcs.

- Passive infrared (PIR) motion sensor
  - 5 minute shut off timer (after activity stops)
  - Angle of movement detection 100° at 16.4 ft max
- 20 LEDs
- 2200 lumens
- Multi-volt: runs on a 12 or 24 volt system
- Operating voltage: 10V – 36V DC
- Current AMP draw: 1.5A at 12V
- Reverse polarity protection
- Designed for extreme temperatures: -40°F to 176°F (-40°C to 80°C)
- Strong aluminum housing with powder coated finish and textured clear polycarbonate lens
- Silicone seal protects components under lens from moisture build up
- 14 ga. wires with .180 male bullet connectors protected by an additional layer of STA-DRY® jacketing to guard against corrosion

## PERMALITE™ XB High Efficiency LED



**51-22211** Dome lamp, 20 LEDs, 2200 lumens, aluminum housing, individual retail box

**51-22214** Dome lamp, 20 LEDs, 2200 lumens, aluminum housing, bulk pack, 6 pcs.

- 20 LEDs
- 2200 lumens
- Multi-volt: runs on a 12 or 24 volt system
- Operating voltage: 10V – 36V DC
- Current AMP draw: 1.5A at 12V
- Reverse polarity protection
- Designed for extreme temperatures: -40°F to 176°F (-40°C to 80°C)
- Strong aluminum housing with powder coated finish and textured clear polycarbonate lens
- Silicone seal protects components under lens from moisture build up
- 14 ga. wires with .180 male bullet connectors protected by an additional layer of STA-DRY® jacketing to guard against corrosion

## PERMALITE™ XB LED



**51-22111** Dome lamp, 8 LEDs, 1600 lumens, polycarbonate housing, individual retail box

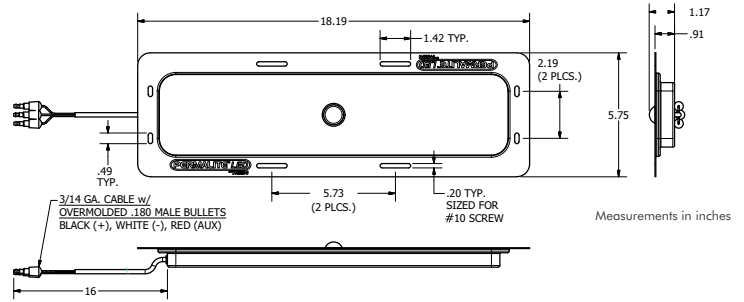
**51-22114** Dome lamp, 8 LEDs, 1600 lumens, polycarbonate housing, bulk pack, 6 pcs.

- 8 LEDs
- 1600 lumens
- Operating voltage: 7V-16V DC
- Current AMP draw: 1.7A at 12V
- Reverse polarity protection
- Designed for extreme temperatures: -40°F to 140°F (-40°C to 60°C)
- Polycarbonate white housing and diamond patterned polycarbonate lens
- Silicone seal protects components from moisture build up
- 14 ga. wires with .180 male bullet connectors

For new and innovative products, visit [www.phillipsind.com](http://www.phillipsind.com)

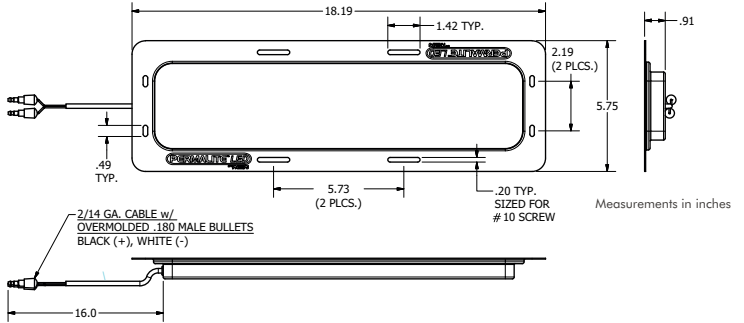
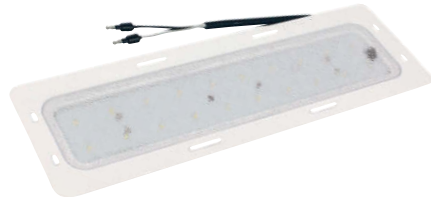
# PERMALITE™ XB High Efficiency LED with PIR Motion Sensor

**A** 51-22221 / 51-22224



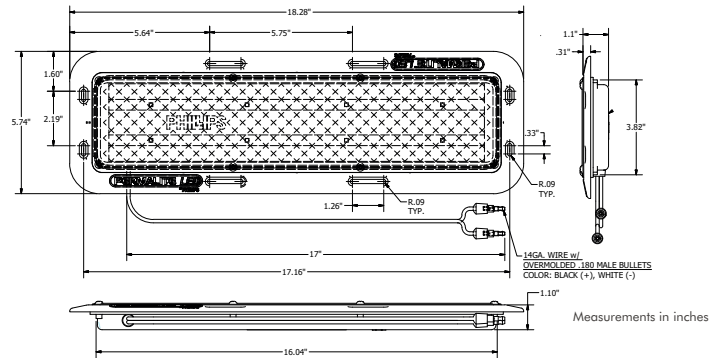
# PERMALITE™ XB High Efficiency LED

**B** 51-22211 / 51-22214



# PERMALITE™ XB LED

**C** 51-22111 / 51-22114



## Specifications

**A** 51-22221/51-22224

**B** 51-22211/51-22214

**C** 51-22111/51-22114

	<b>A</b> 51-22221/51-22224	<b>B</b> 51-22211/51-22214	<b>C</b> 51-22111/51-22114
Operating Voltage	10V - 36V DC	10V - 36V DC	7V - 16V DC
Multi-volt 12V & 24V (10V-36V)	Yes	Yes	No
Current Draw (at 12V)	1.5A	1.5A	1.7A
Operating Temperature	-40°C to 176°F (-40°C to 80°C)	-40°C to 176°F (-40°C to 80°C)	-40°C to 140°F (-40°C to 60°C)
IP Rating	IP65K	IP65K	N/A
Weight	1.20 lbs	1.16 lbs	2.15 lbs
Dimensions	18.19 in x 5.75 in x 1.17 in (46.21 cm x 14.61 cm x 2.97 cm)	18.19 in x 5.75 in x .91 in (46.21 cm x 14.61 cm x 2.31 cm)	18.28 in x 5.74 in x 1.10 in (46.43 cm x 14.57 cm x 2.79 cm)
Lumens	2200	2200	1600
Lens	Textured Clear Polycarbonate	Textured Clear Polycarbonate	Diamond Pattern Clear Polycarbonate
Housing Color	Powder Coated White	Powder Coated White	White
Housing Material	Aluminum	Aluminum	Polycarbonate
LED Warranty	3 Years	3 Years	3 Years
Lighting Source	20 LEDs	20 LEDs	8 LEDs
Reverse Polarity Protection	Yes	Yes	Yes
Universal Mounting Holes	Yes	Yes	Yes
STA-DRY® Jacketing Corrosion Protection for 14 ga. Wires	Yes	Yes	No
.180 male bullet connectors	Yes	Yes	Yes

### **A** Passive Infrared (PIR) Motion Sensor (51-22221/51-22224)

Detection Angle	100°
Detection Distance	Max 16.4 ft (5m)
Shut Off Timer (after activity stops)	5 Minutes

For new and innovative products, visit [www.phillipsind.com](http://www.phillipsind.com)

12070 Burke Street, Santa Fe Springs, CA 90670  
800.423.4512 Fax 800.597.7757

# PHILIPS