



## P50165 Kit, DL-NH, RH

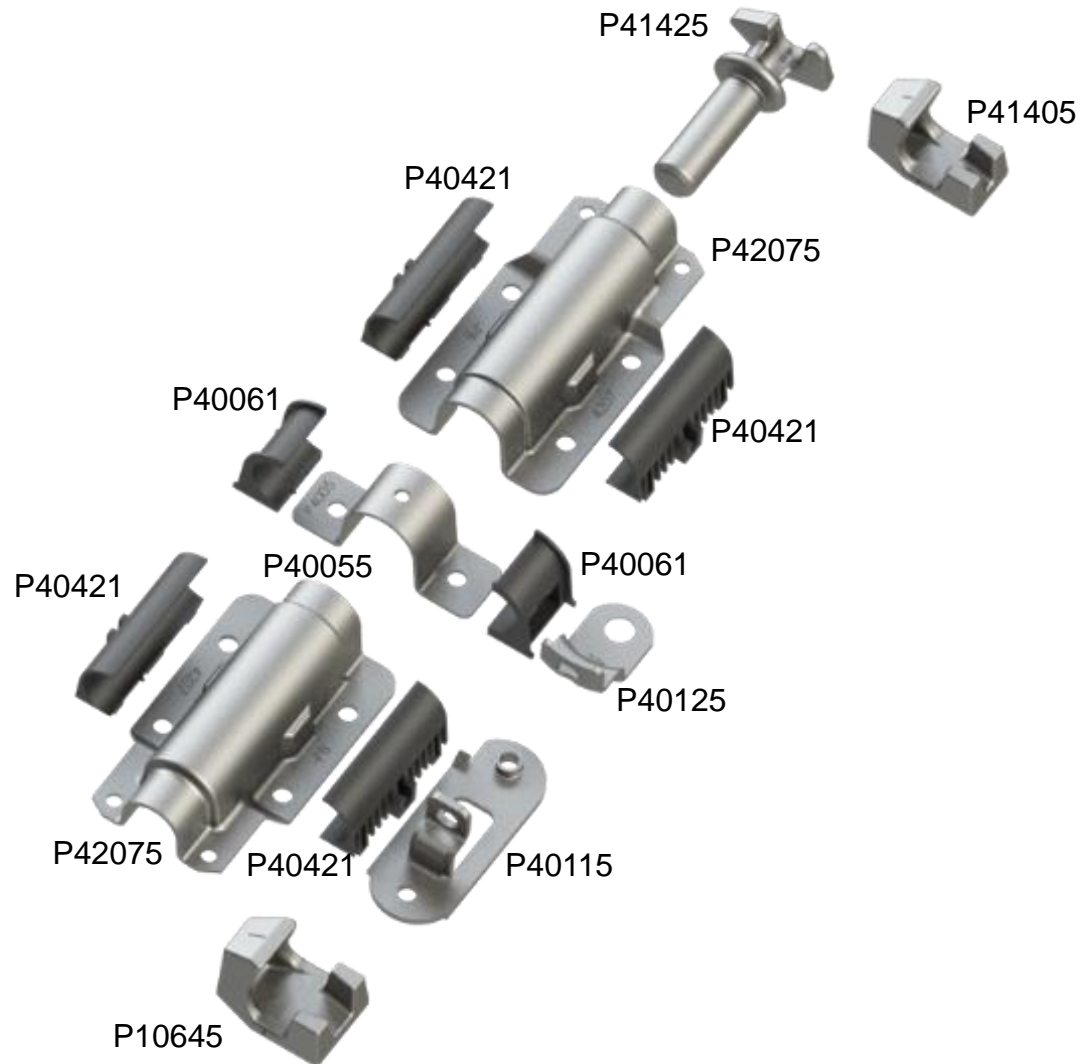
Part	Description	Qty
P10645	Keeper DL/CT, HDG	1
P40055	Rod Guide, HDG	1
P40061	Half Bushing for Rod Guide	2
P40115	Seal Plate, HDG	1
P40125	Seal Pin, HDG	1
P42075	Guide Plate, HDG	2
P40421	Half Bushing for Guide Plate	4
P41405	Keeper, NH, HDG	1
P41425	Cam, NH, RH Top/LH Bottom, HDG	1

Also Available:

✓ LH Kit: P50155

Additional Info:

✓ Use with TEL lockrod P152012





## P50155 Kit, DL-NH, LH

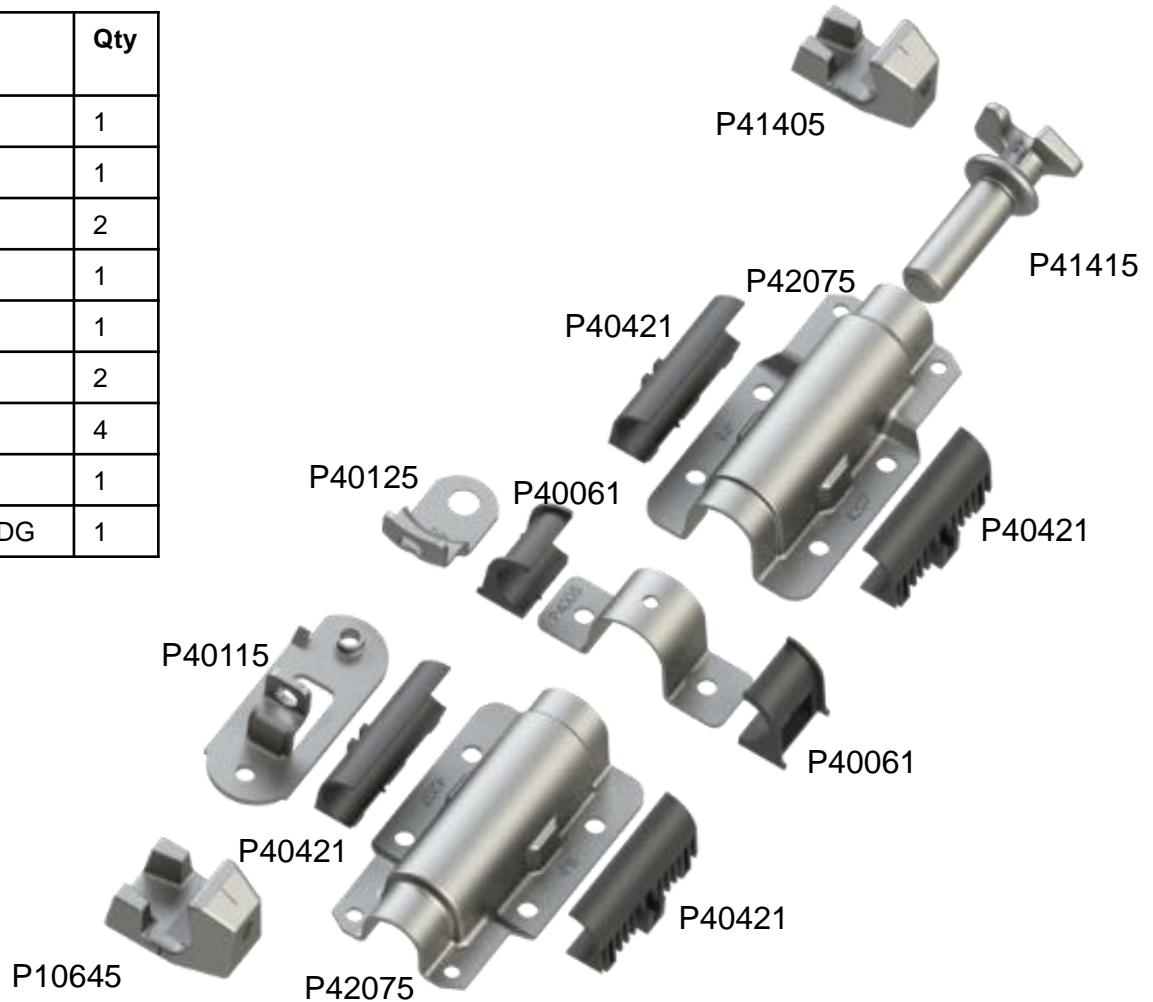
Part	Description	Qty
P10645	Keeper DL/CT, HDG	1
P40055	Rod Guide, HDG	1
P40061	Half Bushing for Rod Guide	2
P40115	Seal Plate, HDG	1
P40125	Seal Pin, HDG	1
P42075	Guide Plate, HDG	2
P40421	Half Bushing for Guide Plate	4
P41405	Keeper, NH, HDG	1
P41415	Cam, NH, LH Top/RH Bottom, HDG	1

Also Available:

✓ RH Kit: P50165

Additional Info:

✓ Use with TEL lockrod: P152011



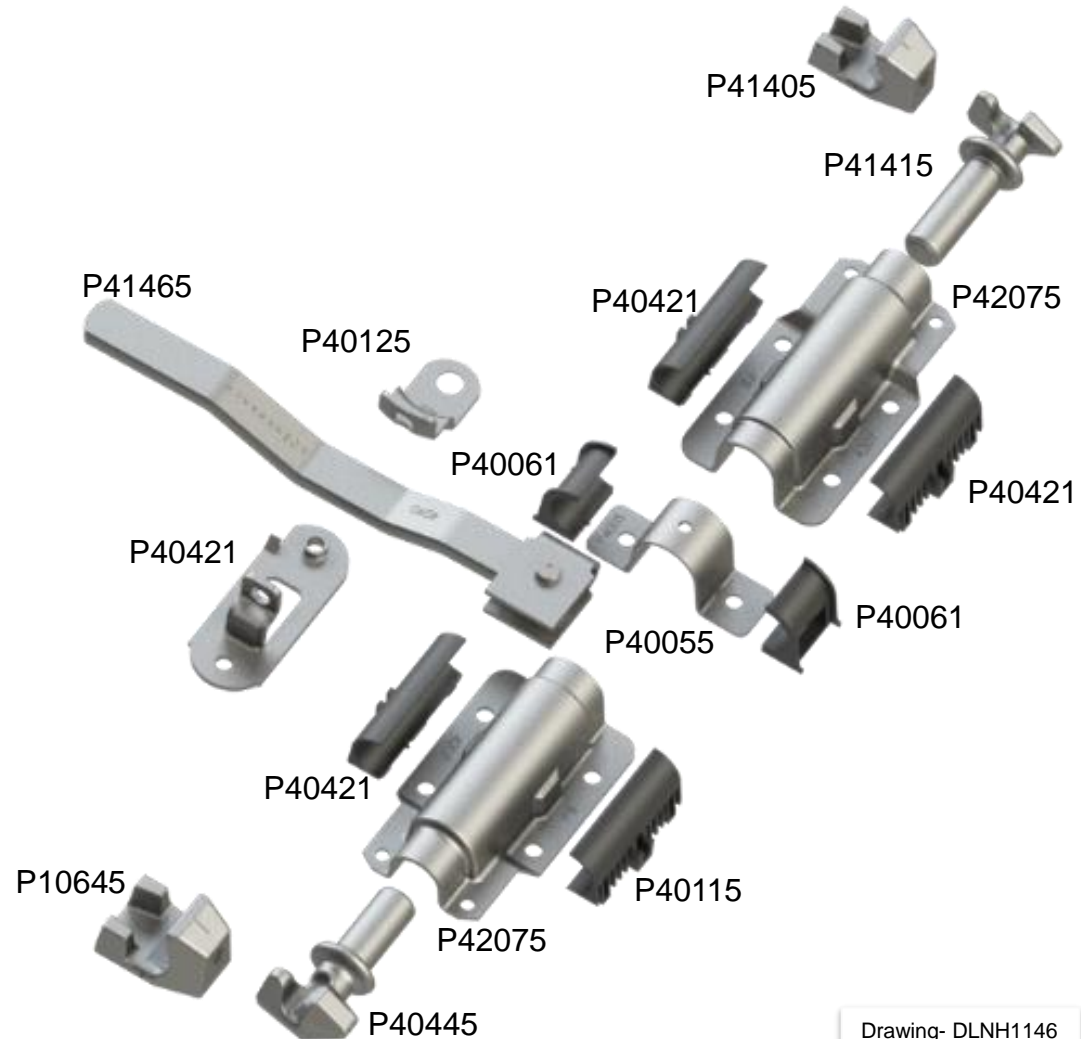


## P50025 Kit, DL-NH, LH

Part	Description	Qty
P10645	Keeper, DL/CT, HDG	1
P40055	Rod Guide, HDG	1
P40061	Half Bushing, for Rod Guide	2
P40115	Seal Plate, HDG	1
P40125	Seal Pin, HDG	1
P42075	Guide Plate, HDG	2
P40421	Half Bushing, for Guide Plate	4
P40445	Cam, DL, RH Top/LH Bottom, HDG	1
P41405	Keeper, NH, HDG	1
P41415	Cam, NH, LH Top/RH Bottom, HDG	1
P41465	Handle Assembly, HDG	1

Also Available:

- ✓ RH Kit: P50035
- ✓ Tubing: P50005A



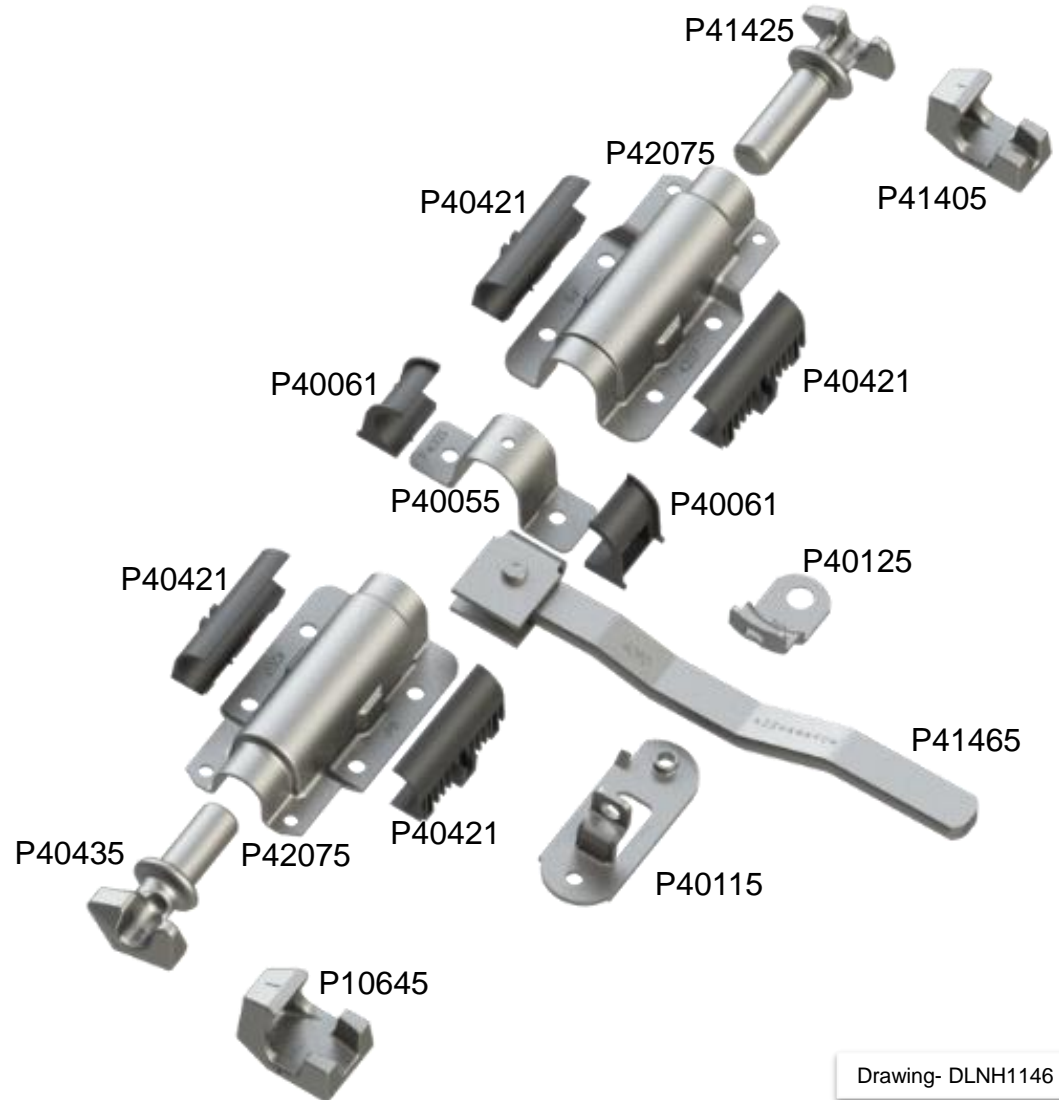


## P50035 Kit, DL-NH, RH

Part	Description	Qty
P10645	Keeper, DL/CT, HDG	1
P40055	Rod Guide, HDG	1
P40061	Half Bushing, for Rod Guide	2
P40115	Seal Plate, HDG	1
P40125	Seal Pin, HDG	1
P42075	Guide Plate, HDG	2
P40435	Cam, DL, LH Top/RHBottom, HDG	1
P41425	Cam, NH, RH Top/LH Bottom, HDG	1
P41405	Keeper, NH, HDG	1
P40421	Half Bushing, for Guide Plate	4
P41465	Handle Assembly, HDG	1

Also Available:

- ✓ LH Kit: P50025
- ✓ Tubing: P50005A





## P50015 Kit, DL-DL, Weld-On Keepers

Part	Description	Qty
P10645	Keeper, DL/CT, HDG	2
P40435	Cam, DL, RH Bottom/LH Top, HDG	1
P40445	Cam, DL, LH Bottom/RH Top, HDG	1
P42075	Guide Plate, HDG	2
P40421	Half Bushing for Guide Plate	4
P40055	Rod Guide, HDG	1
P40061	Half Bushing for Rod Guide	2
P40115	Seal Plate, HDG	1
P40125	Seal Pin, HDG	1
P41465	Handle Assembly, HDG	1

Also Available:

✓ Tubing: P50005A

Additional Info:

✓ Makes RH or LH lockrod

