



TODCO TECH™

TABLE OF CONTENTS

SAFETY

Safety & Warning Decals

ORDERING

Order Form

Door Opening Measurements

Part Numbers (*See individual parts brochures in the Maintenance & Repair section.*)

INSTALLATION

Installation Checkpoints

Installation Instructions

- Door Installation Tolerances
- Track Welding
- Adjustable Top Fixture Installation
- Spacer Washer & Cable Mounting
- Pull Strap Installation

MAINTENANCE & REPAIR

Maintenance & Repair

3/4" Dryfreight Parts

WeatherTite™ Parts

2-1/2" PolarGuard® Parts

1-1/8" PolarGuard® Parts

CityCargo™ Parts

Counterbalance Parts

- Snaked Spring Repair
- 102" Width Support Brackets

Top, Bottom & Side Seals Parts

Fasteners

Lock Option Parts

- Cut-out in Sill for Catch Plate

Rollaramp® Parts

SAFETY & WARNING DECALS

 WARNING	SAFETY INSTRUCTIONS
	<p>An overhead door is a large, heavy object that moves with the help of a spring that is under high tension. Since moving objects and springs under tension can cause injuries or death, your safety and the proper operation of the door depend on your doing the following:</p>
<p>Falls from vehicles can cause serious injury or death.</p> <p>Pull strap can break. Do not use pull strap to enter or leave vehicle.</p>	<p>BEFORE OPERATION</p> <ol style="list-style-type: none"> 1. Inspect all fasteners. Tighten or replace loose fasteners on lift handle, lock, pull strap and hinges. 2. Inspect pull strap. Have frayed, worn or damaged strap replaced. Do not tie anything to pull strap. Longer straps are available from TODCO. 3. Do not operate door with a broken counterbalance spring. The door will not be counterbalanced and will fall if opened. Have trained service person replace spring.
 WARNING	<p>DURING OPERATION</p> <ol style="list-style-type: none"> 1. Check lock movement. Lubricate with light oil such as TODCO Lube (not grease) if movement is stiff. Have worn or damaged lock replaced. 2. Keep three limbs in contact with vehicle (2 hands and 1 foot, or 2 feet and 1 hand) when climbing in or out. Do not use the pull strap to help you get in or out. 3. Check door movement. If door is hard to move, lubricate rollers, counterbalance spring and bearings, and hinges with TODCO Lube. Have damaged or worn rollers and hinges replaced. If door is still hard to move, have a trained service person check it. Do not try to adjust or repair the spring or counterbalance assembly. 4. Check cable attachment. Have frayed, damaged or worn cables replaced. Cable drums should be snug against bearing. Have trained service person replace cables and adjust cable drums. 5. Make sure tracks and door opening are not blocked. Do not stand in or walk through doorway when door is moving.
	<p>AFTER OPERATION</p> <ol style="list-style-type: none"> 1. Close and lock door before driving vehicle.
<p>Moving Door can cause serious injury or death.</p> <p>Stand clear of opening while door is moving. 70318-1</p>	<p>MAINTENANCE</p> <ol style="list-style-type: none"> 1. Do not attach anything to, or modify door. Use genuine TODCO parts for replacements. 2. High pressure wash or harsh cleaning solutions can damage paint. 3. Have worn or faded warning stickers replaced. Do not paint over warning stickers. <div style="display: flex; align-items: center;">  <p>1332 Fairground Rd. E. Marion, Ohio 43302 Telephone (740) 383-6376 A Division of Overhead Door Corporation</p> </div>

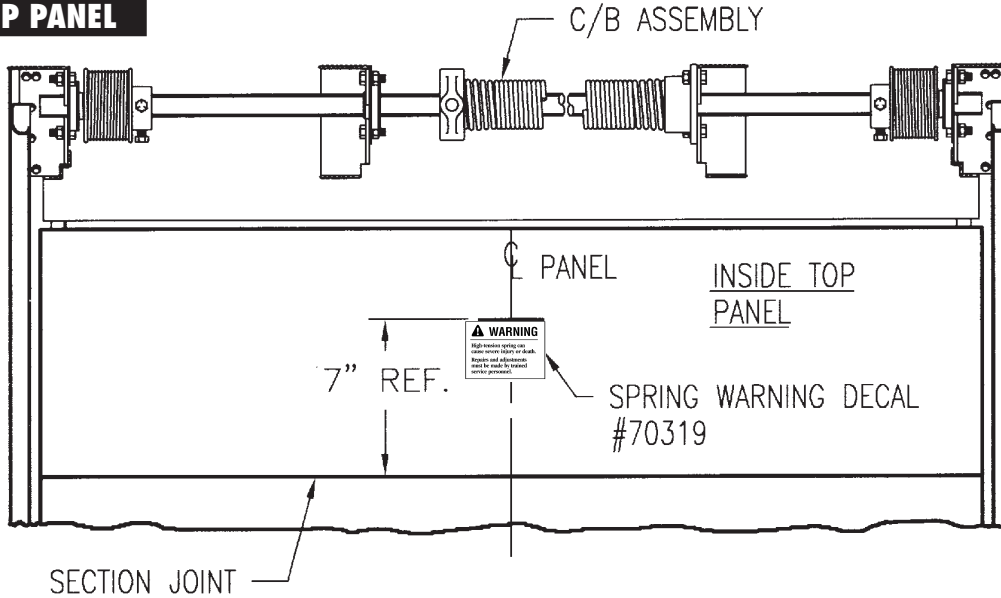
Safety warning sticker not shown actual size.

 WARNING
<p>High-tension spring can cause severe injury or death.</p> <p>Repairs and adjustments must be made by trained service personnel.</p>

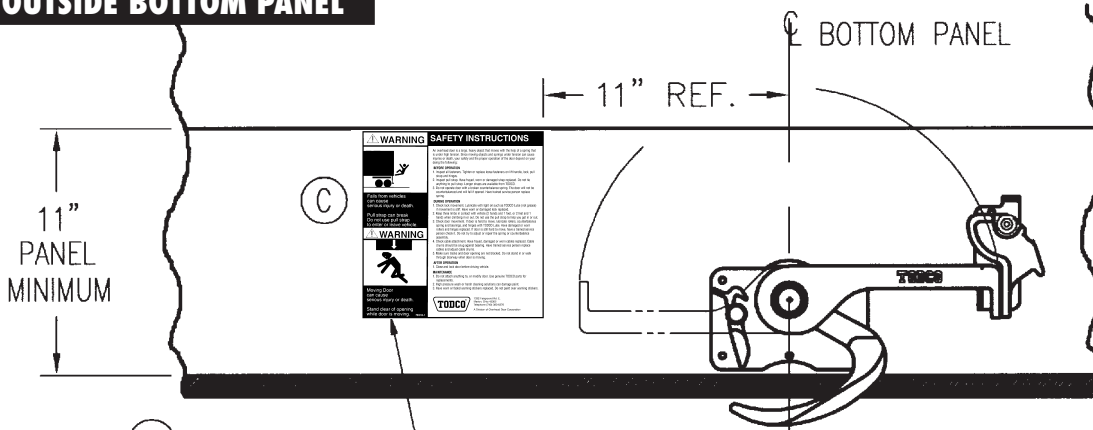
1. LOCATE STICKERS PROPERLY.
 - A. Warning and safety instructions sticker on outside of door bottom panel.
 - B. Spring warning sticker on inside center of door top panel.
2. REMOVE PREMASK.
3. DO NOT PAINT OVER STICKERS.
4. REPLACE WORN, FADED OR DAMAGED STICKERS.

MOUNTING LOCATION – SAFETY & WARNING DECALS

INSIDE TOP PANEL



OUTSIDE BOTTOM PANEL



NOTE:

(C) MOUNT DECAL FLUSH WITH TOP OF BOTTOM PANEL AS SHOWN ABOVE

SAFETY INSTRUCTIONS & WARNING DECAL #70318



OVERHEAD DOOR ORDER FORM

PART 1

PLEASE PRINT CLEARLY, AND COMPLETE BOTH PART 1 AND PART 2:

YOUR NAME: _____

YOUR COMPANY: _____

ADDRESS: _____

CITY: _____ STATE/PROVINCE: _____

POSTAL/ZIP CODE: _____ PHONE: _____ FAX: _____

E-MAIL ADDRESS: _____

SHIP-TO ADDRESS: (IF DIFFERENT FROM ABOVE) _____

ATTN: (NAME) _____ ADDRESS: _____

CITY: _____ STATE/PROVINCE: _____

POSTAL/ZIP CODE: _____

P.O. NUMBER: _____ QUANTITY ORDERED: _____

SERIAL NUMBER OF DOOR YOU ARE REPLACING (IF AVAILABLE): _____

(This is located on a metal tag inside the door on the driver's side, next to the top panel.)

MAKE & YEAR OF TRAILER OR TRUCK BODY: _____

DOOR TYPE: _____

- 3/4" Dryfreight Wood
- 3/4" Aluminum Skin
- 1" Dryfreight Wood
- 1" Aluminum Skin
- 1-1/8" PolarGuard®
- 2-1/2" PolarGuard®
- CityCargo™
- WeatherTite™
- Shutter Door

LOCK TYPE: _____

- Maximum Security Lock (Standard)
- Single-Point Slam Lock (Locks into sill)
- Two-Point Slam Lock
(Locks into vertical track)
- LifeGuard Lock (PolarGuard)

RUBBER HEAD SEAL: _____

- Mounted on Header on Body
- Mounted on Top Panel
- Mounted on Both

OPTIONS: _____

- Standard Rubber Side Seals
- Precision Rollers
- Stainless Steel Rivets
- Heavy-Duty Bottom Fixture
- Brush Side Seals
- Brush Header Seals
 - Header Mounted
 - Top Panel Mounted
 - Both

HINGES: _____

- Standard
- High-Strength
- Stainless Steel
- E-Coated
- Yellow Chromate

DOOR FINISH: _____

- Prime Only
- Top Coat –
Color: _____

DOOR IS: _____

- Complete (with tracks and counterbalance)
- Drop-In (without tracks and counterbalance)
- With Tracks Only
- With Counterbalance Only
- Other: _____

• Doors are custom built and CANNOT be returned.

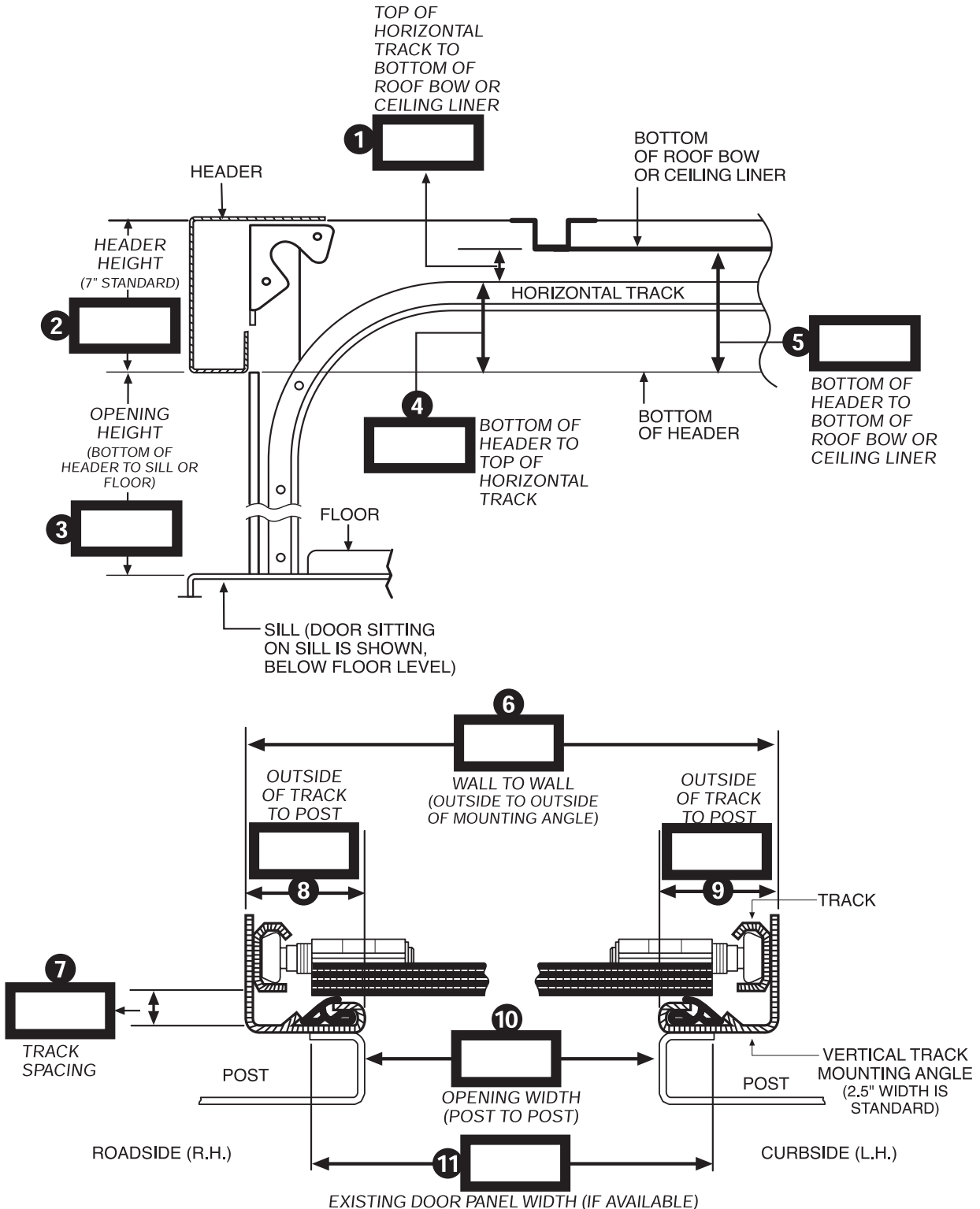


OVERHEAD DOOR ORDER FORM

PART 2

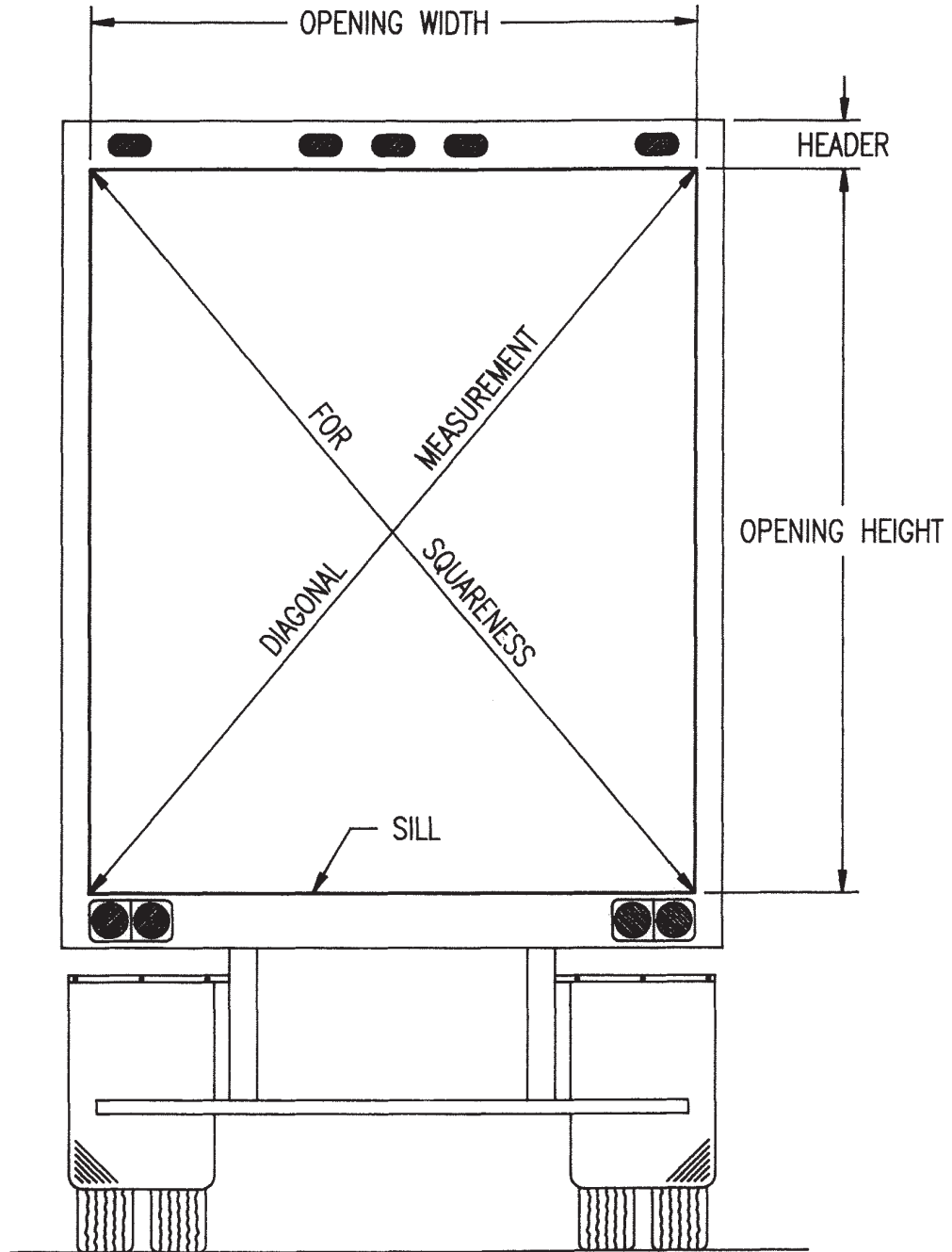
Please fill in the dimensions (in inches) for all blank squares (1 through 11) on the diagrams on this page.

All doors are made for net opening width, NOT wall-to-wall dimensions.



When complete, please fax both parts of this form to TODCO at 1-800-248-6326.

DOOR OPENING MEASUREMENTS



NOTE:
MEASURE OPENING WIDTH & HEIGHT AT TWO DIFFERENT LOCATIONS FOR COMPARISON

INSTALLATION CHECK POINTS

CHECKING TRACK & DOOR ALIGNMENT

- Vertical Track Squareness.....Insert 1
- Horizontal Track Dimensions (width and ceiling clearance).....Installation Instructions, Page 2 & 3
- Spacer Washer Location.....Insert 4

WELDING CHECK POINTS

- Welding Counterbalance Spring Anchor Bracket.....Insert 2
- Welding of Vertical Track Head Plate Brackets.....Insert 2
- Welding Track Coupler.....Insert 2
- Welding of Horizontal Track.....Insert 2

COUNTERBALANCE CHECK POINTS

- Cable Drums Against Bearings.....Installation Instructions, Page 6
- Cable Alignment on Drum.....Installation Instructions, Page 5
- All Set Screws Are Tight.....Installation Instructions, Page 6
- Recommended Adjustment of Tension (Properly adjusted/opens easily with slightest lift/should continue upward after approximately 24").....Installation Instructions, Page 5

FINAL CHECK POINTS

- Adjustment of Top Panel.....Insert 3
- Proper Lock Catch Plate Alignment.....Insert 8
- Side Seal Installation.....Back Page of the
“Top, Bottom and Side Seals Parts”
Literature
- Lubrication.....Installation Instructions, Page 7
- Safety & Warning Decals.....See SAFETY Section

Technical Service Bulletin

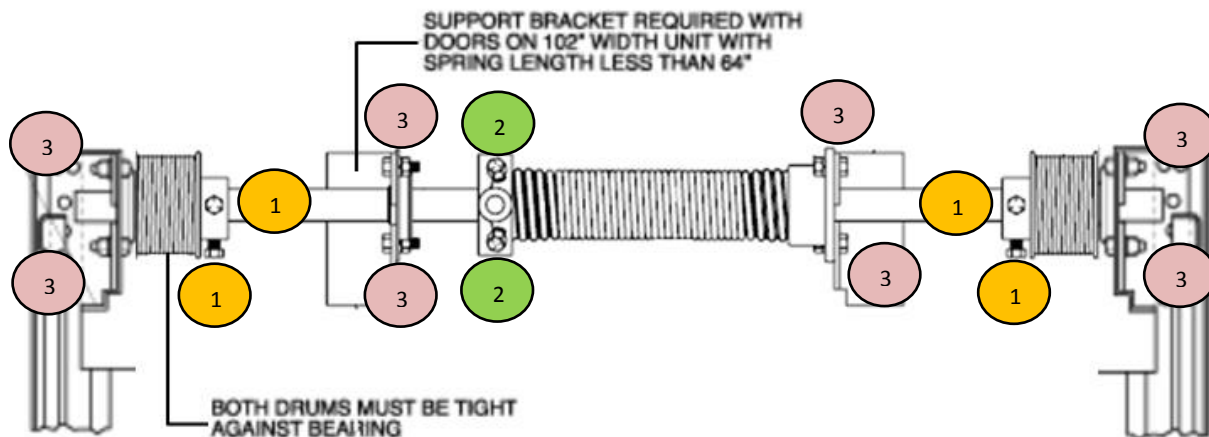


Number: TODCO_003_REL
Date: December 19, 2014
Division: TODCO
Product: All TODCO supplied doors, components and parts
Sub-Product: Counterbalance Assemblies
Issue: Clarification of proper torque on Counterbalance fastener torque recommendations

To: All TODCO Customers
From: James Dimmick, Quality, Lean and Engineering Manager
Re: Proper torque settings for TODCO Counterbalance assembly component fasteners.

In an effort to improve the quality and consistency of TODCO products, we have established torque requirements for TODCO Counterbalance (C/B) Assembly fasteners. Please use the following torque specifications for the installation and adjustment of the C/B Assembly or related components:

1. Cable Drum Set Bolts (4 places) – 25 lbft (33.9 Nm)
2. Winding Plug Set Bolts (2 places) – 25 lbft (33.9 Nm)
3. Bearing Support/Head Plate Fasteners (6 – 8 places) – 25 lbft (33.9 Nm)



If you have any questions, please contact your Customer Service Team or DSM.

Thank you,
James Dimmick
TODCO Quality, Lean and Engineering Manager

INSTALLATION INSTRUCTIONS





INSTALLATION INSTRUCTIONS

THESE INSTRUCTIONS COVER THE INSTALLATION OF THE FOLLOWING REAR DOORS WITH OUTSIDE CABLES AND MAXIMUM SECURITY LOCK:

- 3/4" and 1" DryFreight
- TODCOLD™ Insulated
- FleetStar
- RouteMaster

TOOLS NEEDED:

- Safety glasses
- Stepladder
- Tape measure
- Six (6) C-clamps
- Vice grips
- Portable light
- Welder
- Cutting torch
- Hammer
- Two (2) pieces of wood (2" x 4")
- Two (2) 1/2" dia. X 18" winding bars
- 7/16", 1/2" and 9/16" wrenches

IMPORTANT

BEFORE PROCEEDING WITH THE INSTALLATION, READ EACH STEP AND SEE SAFETY NOTICE INSTRUCTIONS ON BACK PAGE.

STEP 1

Check the door parts to make sure you have received all needed items. Note any shortages or damages on delivery receipt, as TODCO cannot be responsible for parts lost or damaged in shipment.

Fig. 1.

1. Hardware box - fasteners, rollers, cables, catch box and top fixtures.
2. Counterbalance spring assembly with drums, shaft and bracket(s).
3. Pair of horizontal tracks, (2 pair with 2-1/2" door).
4. Pair of vertical track assemblies.
5. Header seal and retainer, or head seal, on top panel.
6. Two door halves.
7. Make sure safety warning stickers are affixed to door as shown.
8. Side seals - optional on 3/4" door.

STEP 2 HEADROOM CLEARANCE:

Measure headroom to be sure there is sufficient clearance to accept the counterbalance and to allow the door to clear under the roof bows (Fig. 2a, "A," "B" and "C" dimensions), or ceiling liner (Fig. 2b, "A" dimension).

Use the chart in Fig. 2c to determine the required headroom for your particular installation. Keep in mind that whatever you add must be flush with the inside of the side post.

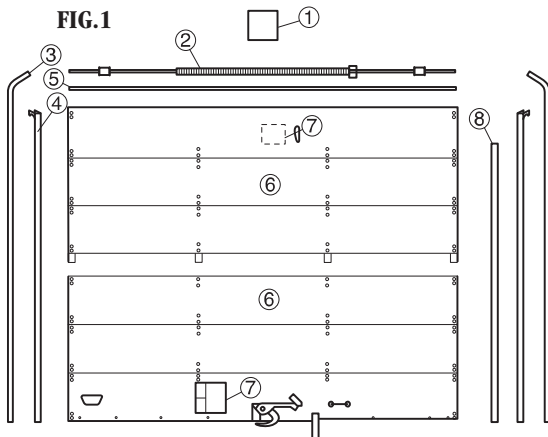


FIG. 2

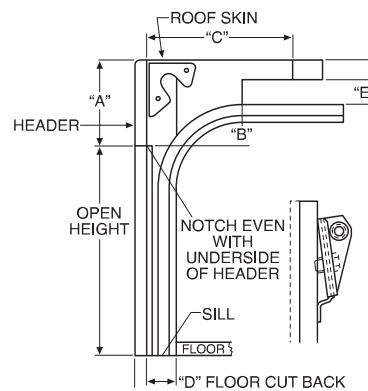


FIG. 2a

NOTE:
Fig. 2a shows the counterbalance against roof skin.

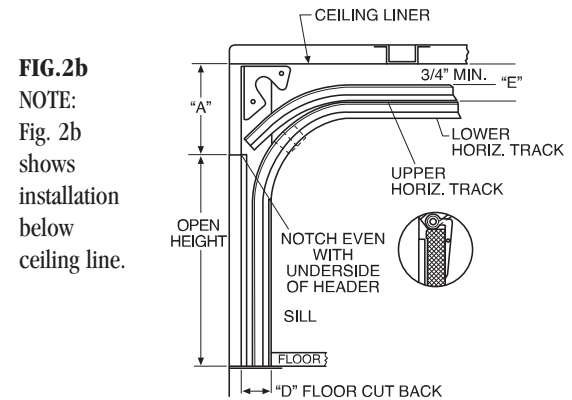


FIG. 2b

NOTE:
Fig. 2b shows installation below ceiling line.

FIG. 2c

	A	B	C	D	E
3/4" & 1" Dryfreight Doors	7"	5"	18"	2-1/2"	1-1/2"*
RouteMaster Door	7"	5-1/2"	18"	3"	2-1/2"
FleetStar Door	7"	5-1/2"	18"	3"	2-1/2"
1-1/8" TODCOLD™ Door	7"	5-1/2"	18"	3"	2-1/2"
2-1/2" TODCOLD™ Door	9"	6-1/2"	18"	4-1/4"	2-1/4"

*2-14" with head seal on top panel.

STEP 3 SIDEROOM CLEARANCE:

The minimum sideroom clearance is 2-1/2" on each side from the post (opening) to the wall (Fig. 3).

In the event it is necessary to add on the corner post, keep the added piece flush with the inside of the header.

STEP 4 MEASURING DOOR OPENING:

Because each TODCO door is custom made, it is necessary to check the opening measurement. These measurements must be finished opening width and height. "Finished" means there must be the header and sideroom clearance mentioned in previous steps to ensure proper installation.

Opening height is from the header to the sill (Fig. 2). Opening width is from post to post (Fig. 3). On older units, measurements should be taken in at least three different places for opening width and height. Cutting back of the floor on older units may be necessary to permit the door to sit on the sill, below the floor. See "D" dimension and chart in (Fig. 2c).

STEP 5 VERTICAL TRACK INSTALLATION:

Position vertical tracks on corner posts as shown in Fig. 3 and clamp in place. Notch in mounting angle should line up with the bottom of header (Fig. 2). If necessary, the bottom of the vertical track assemblies may be cut off to permit the notch to line up with the underside of the header. Keep both tracks the same length.

The vertical track assembly may be raised a maximum of 1/2" off the sill. Keep both vertical tracks the same length and same distance off sill.

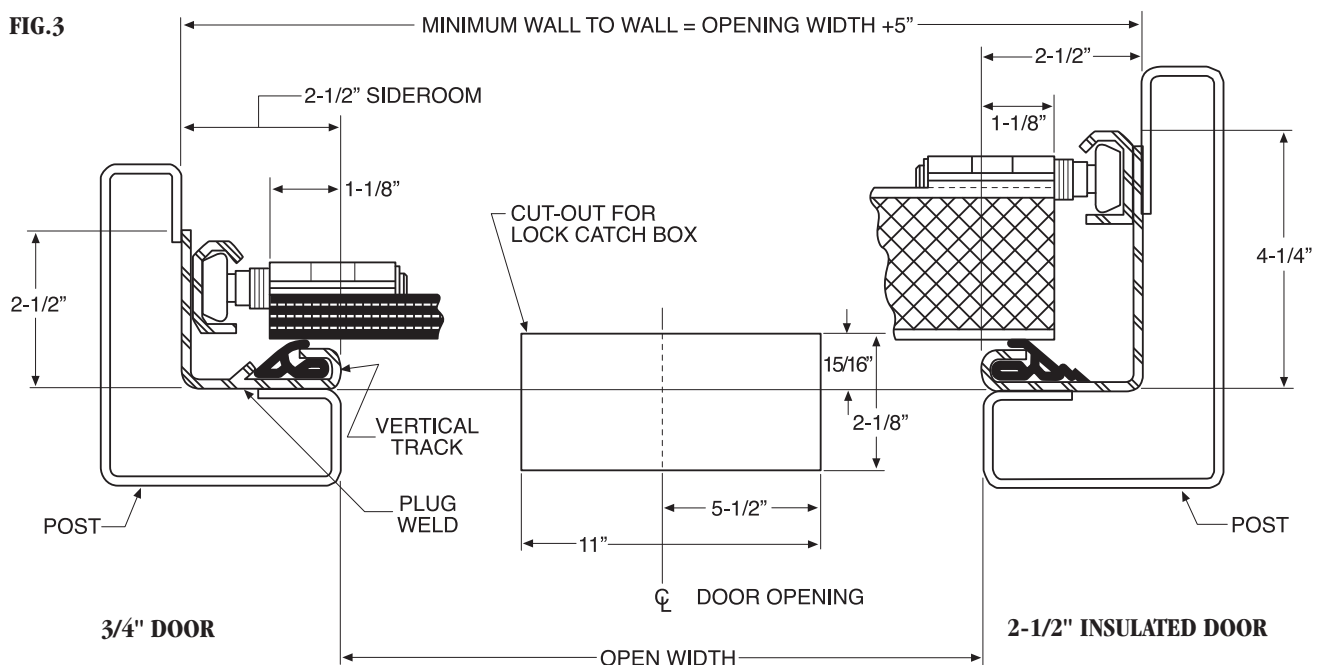
Mount the vertical track mounting angle flush with the inside edge of the rear corner posts all the way up and down (Fig. 3).

It is critical that the vertical track is installed square. Check the opening measurements at several points between the vertical tracks, then measure diagonally. If your measurements are equal, the door track is square.

The vertical track is to be welded through the plug weld holes to the post on 12" to 15" centerline. The upper brackets (counterbalance) must be properly secured by welding or bolting to the header (Fig. 5).

IMPORTANT

WHEN INSTALLING A 2-1/2" DOOR, THE LOWER HALF OF THE DOOR MUST BE INSERTED INTO THE VERTICAL TRACKS. THE LOCK WILL NOT CLEAR THE CEILING LINER IF DOOR IS INSTALLED THROUGH THE HORIZONTAL TRACKS. SEE STEP 8 FOR ROLLER INSTALLATION INSTRUCTIONS.



STEP 6

HORIZONTAL TRACK INSTALLATION:

The lower half of a 2-1/2" door is to be inserted before mounting the horizontal tracks. The horizontal tracks must be installed 90 degrees with vertical tracks, within minimum clearance dimensions per chart (Fig. 2c).

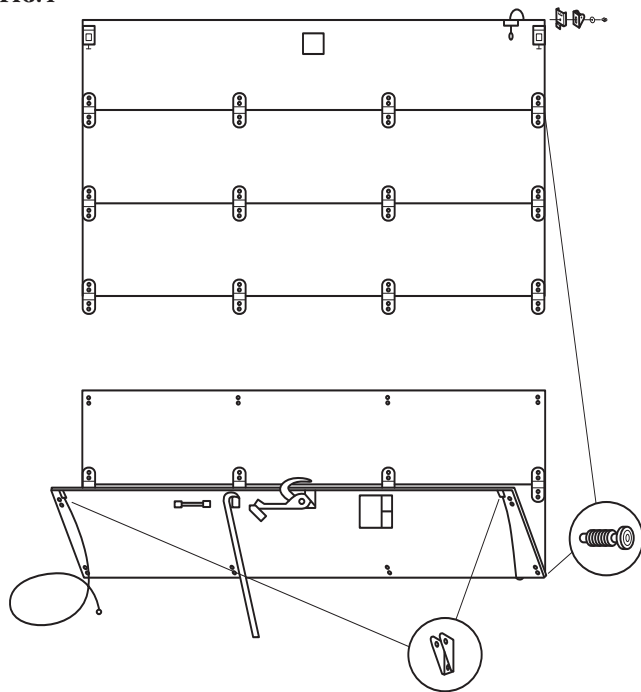
The 2-1/2" door has dual horizontal tracks. Install the lower horizontal track (with mounting strip attached) 2-1/4" (minimum) below the liner.

It is important to maintain the same distance between the horizontal and vertical tracks. If wider than the vertical tracks, shim horizontal track accordingly.

Fasten horizontal tracks securely to provide adequate support for the door, and weld the full length of the couplers at the track joints.

Do not install the upper set of horizontal tracks on 2-1/2" door at this time.

FIG. 4



CAUTION

STEP 7

COUNTERBALANCE INSTALLATION:

If door is equipped with a pre-wound counterbalance, special precautions must be exercised when handling this assembly. The spring on this type counterbalance is factory pre-wound and is under tension.

DO NOT loosen any of the spring set screws until final installation of the pre-wound counterbalance detailed in Step 9.

Remove the bearing assembly from the roadside vertical track. Slide this bearing onto the right-hand cable drum end of the counterbalance shaft. Insert the left end of the counterbalance shaft into the bearing assembly of the curbside vertical track. Remount bearing to roadside vertical track assembly.

Position and align the spring anchor bracket on the inside of the header; be sure the shaft is not rubbing on the spring anchor casting. Allow a minimum of 5" for spring growth (Fig. 5). **FIRMLY SECURE SPRING ANCHOR BRACKET TO WITHSTAND THE STRONG TORQUE OF THE SPRING.**

An additional counterbalance support bracket is required on 102" wide units.

STEP 8 DOOR INSTALLATION:

Assemble the door half sections together with the bolts, rivets and/or hinge pins provided (Fig. 4). Attach cable assemblies to cable anchor brackets, secure with anchor and cotter pins.

Assemble the slide part of the adjustable top fixture to the premounted base with washer and bolt. Next, insert the roller shafts into the end hinges, top and bottom fixtures.

IMPORTANT

ONE TO FOUR SPACER WASHERS SHOULD BE PLACED ON THE LEFT AND RIGHT SIDES OF THE FIRST SECTION JOINT UP FROM THE BOTTOM, AND THE FIRST SECTION JOINT DOWN FROM THE TOP OF THE DOOR. THESE WASHERS WILL HELP HOLD THE DOOR SQUARE WITH THE TRACK.

Do not install the top fixtures on the 2-1/2" door at this time.

On 2-1/2" door installation, insert the fasteners for the end hinges into the door bottom half. Drop in the top half of the door, bolt end hinges and drive pins in center hinges to connect door halves.

Before rolling the door into the tracks, bring the cable ends to the top of the door and tape to the inside of top panel (Fig. 4).

If the unit has no other door, place two small blocks of the same size under each corner of the door so a light may be placed in the unit. The blocks will keep the door even while you wind the cables and counterbalance spring.

Insert door and carefully lower door, supporting door weight onto wood blocks on sill. Install track stop bolt in end of horizontal track.

With the door closed, bring the roadside cable up between the drum and the header.

Hook the cable end in the slot in the outer groove of the right cable drum. Starting in the first groove, wind the cable on the drum, winding drum toward you. Make sure it properly tracks in each groove of the cable drum.

Take up the cable slack until snug; push the drum against the bearing and properly tighten both set screws. Now, clamp the counterbalance shaft with vice grips, (handle of grips against the ceiling) to hold the cable taut (Fig. 5).

Repeat the procedure with the curbside cable and drum.

IMPORTANT

1. CABLE DRUMS MUST BE TIGHT AGAINST BEARINGS.
2. CABLE IS PROPERLY TRACKING IN CABLE DRUM GROOVES.
3. CABLES MUST HAVE EQUAL TENSION.
4. SET SCREWS MUST BE TIGHT.



WARNING

High-tension spring can cause severe injury or death.

STEP 9 SPRING WINDING:

To determine the amount of winds on the counterbalance spring, divide 10 into the door opening height in inches and add 3 turns.

*Example: $75 \text{ divided by } 10 = 7.5 \text{ turns} + 3 \text{ turns} = 10.5$
or 10 and one-half turns.*

Run a chalk mark (Fig. 5) the full length of the counterbalance spring. Leave the vice grip clamped to the shaft to keep tension on the cables.

Place a 1/2" diameter x 18" winding bar in the hole in the spring winding plug. Wind the spring by lifting up the bar. While holding the first bar, place a second bar in the next hole and lift in the same manner after removing the first bar. Repeat this until the correct number of complete turns are obtained by counting the chalk marks which show up as stripes as the spring is wound.

Properly tighten both set screws on the spring winding plug and remove the vice grips from the counterbalance shaft.

IMPORTANT

USE 1/2" DIAMETER X 18" WINDING BARS ONLY. DO NOT USE BENT WINDING BARS, SCREWDRIVERS OR TAPERED PUNCHES FOR WINDING.

A properly counterbalanced door should, when stopped, remain at any given location. If the door leaves the floor by itself, the spring is wound too tight and a few quarter-turns should be released. If the door has any tendency to drop when stopped, a few more quarter-turns should be added.

SHALLOW HEADER COUNTERBALANCE: Call the Marion plant to request a copy of drawing C-99725.

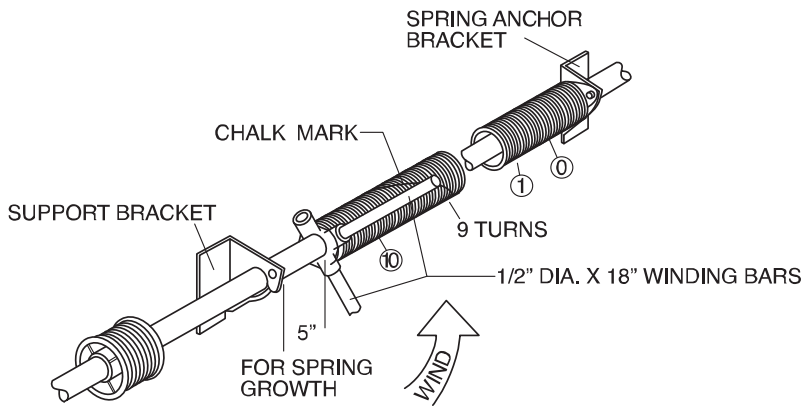
PRE-WOUND COUNTERBALANCE: If door is equipped with a pre-wound counterbalance, disregard above instructions and release spring tension as follows:



CAUTION

Make sure cables are attached to door and cable drums, that cables are properly tensioned, and cable drums are properly secured to shaft as noted in **Step 8**.

Clamp vice grips above roller to track, clamping door in down position. **Loosen and remove** the two (2) set screws found in the spring anchor plug (Fig. 5). This plug is found on the right-hand end (inside looking outside) of the spring. Spring tension has now been transferred to the cables. Remove vice grips and check door operation.

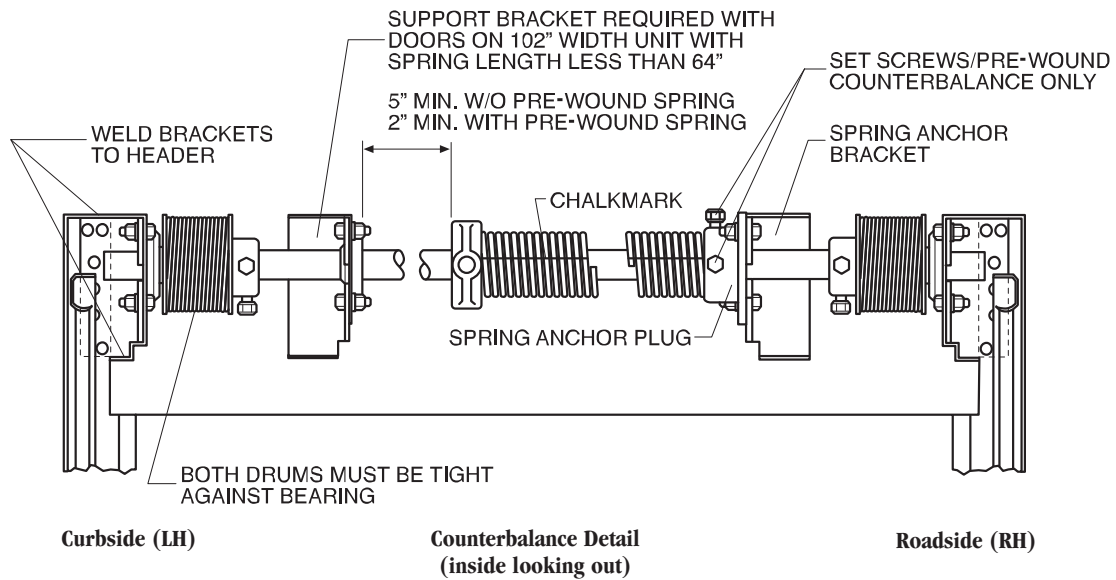


WARNING

High-tension spring can cause severe injury or death.

Repairs and adjustments must be made by trained service personnel.

FIG. 5



STEP 10 TOP FIXTURE:

Standing inside the unit with the door closed against the sill (remove blocks, light cords, etc.), adjust the top fixture slides until the top panel is in the same plane as the rest of the door sections and tighten bolts.

2-1/2" DOOR TOP FIXTURE AND HORIZONTAL TRACK INSTALLATION:

Lay the top horizontal track in position directly above the lower horizontal tracks. With roller in top fixture, insert in upper horizontal track and position fixture against top panel. Locate fixture position by moving the track back and forth and fixture up and down until top panel is in the same plane as the rest of the door sections.

Securely weld top horizontal track in position, tighten top fixture bolts and install track stop bolts.

STEP 11 LOCK CATCH INSTALLATION:

Cut hole in sill for lock catch box (Fig. 3). Position catch box on hole, locate the catch box mark directly below the lock backplate mark and weld catch box to sill. (Center rivet in lock backplate should line up with lock catch pin.)

STEP 12 HEADER SEAL INSTALLATION:

Cut the header seal to length to fit in between the vertical mounting angles.

Place the header seal assembly against the inside face of the header (Fig. 6). With the small tab against the underside of the header, drill 3/16" holes and secure with drive rivets.

The 2-1/2" insulated door has a dual lip head seal mounted in the same manner. The 1-1/8" door head seal is attached to the top panel, which is also optional on the 3/4" door.

STEP 13 SIDE SEAL INSTALLATION:

Side seals (optional on 3/4" door) are extruded in pairs. Separate the two seals along tear line. With the door raised, insert seal in retaining lip the full length of the angle (Fig. 7).

Insert seal at bottom lance and install drive rivet in lower hole. Stretch seal 1", insert in top lance and install drive rivet in upper hole. Snap seal into all remaining lances. Trim off excess seal.

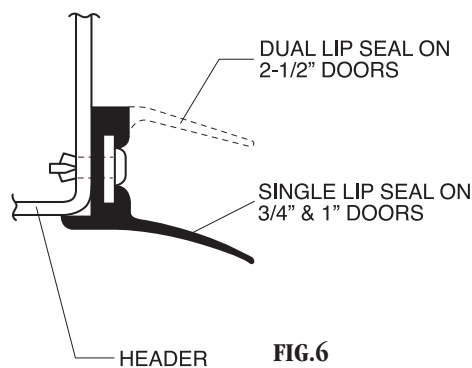
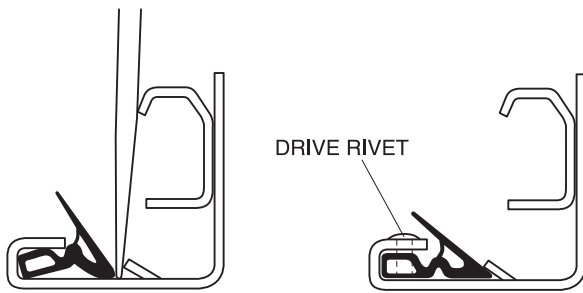


FIG.6




SEAL READY TO SNAP INTO POSITION

FIG.7

STEP 14

MAINTENANCE AND LUBRICATION:

Lubricate the C/B spring, tracks, lock, bearings, rollers and hinges liberally with TODCO Lube (Fig. 8 - designated by ). Do not use grease.

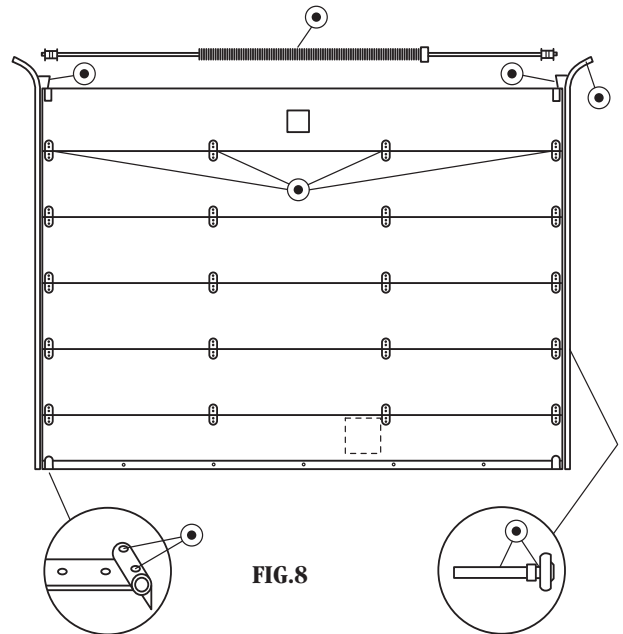


FIG.8

NOTE: DOOR MAINTENANCE AND LUBRICATION FREQUENTLY WILL VARY WITH USE OF THE DOOR, CLIMATE CONDITIONS AND CLEANING PROCEDURES.



WARNING

Do not operate door with broken spring or cable.



For new orders and order For
new orders and order inquiries:

call: (740) 383-6376

fax: 1-800-24-TODCO
(800-248-6326)



1332 Fairground Road East
Marion, Ohio 43302
(740) 383-6376

NOT JUST TOUGH...TODCO-TOUGH

www.todco.com

WARNING SAFETY INSTRUCTIONS



WARNING



Falls from vehicles can cause serious injury or death.

Pull strap can break. Do not use pull strap to enter or leave vehicle.



WARNING



Moving Door can cause serious injury or death.

Stand clear of opening while door is moving.

70318-1

An overhead door is a large, heavy object that moves with the help of a spring that is under high tension. Since moving objects and springs under tension can cause injuries or death, your safety and the proper operation of the door depend on your doing the following:

BEFORE OPERATION

1. Inspect all fasteners. Tighten or replace loose fasteners on lift handle, lock, pull strap and hinges.
2. Inspect pull strap. Have frayed, worn or damaged strap replaced. Do not tie anything to pull strap. Longer straps are available from TODCO.
3. Do not operate door with a broken counterbalance spring. The door will not be counterbalanced and will fall if opened. Have trained service person replace spring.

DURING OPERATION

1. Check lock movement. Lubricate with light oil such as TODCO Lube (not grease) if movement is stiff. Have worn or damaged lock replaced.
2. Keep three limbs in contact with vehicle (2 hands and 1 foot, or 2 feet and 1 hand) when climbing in or out. Do not use the pull strap to help you get in or out.
3. Check door movement. If door is hard to move, lubricate rollers, counterbalance spring and bearings, and hinges with TODCO Lube. Have damaged or worn rollers and hinges replaced. If door is still hard to move, have a trained service person check it. Do not try to adjust or repair the spring or counterbalance assembly.
4. Check cable attachment. Have frayed, damaged or worn cables replaced. Cable drums should be snug against bearing. Have trained service person replace cables and adjust cable drums.
5. Make sure tracks and door opening are not blocked. Do not stand in or walk through doorway when door is moving.

AFTER OPERATION

1. Close and lock door before driving vehicle.

MAINTENANCE

1. Do not attach anything to, or modify door. Use genuine TODCO parts for replacements.
2. High pressure wash or harsh cleaning solutions can damage paint.
3. Have worn or faded warning stickers replaced. Do not paint over warning stickers.



1332 Fairground Rd. E.
Marion, Ohio 43302
Telephone (740) 383-6376
A Division of Overhead Door Corporation

Safety warning sticker not shown actual size.



WARNING

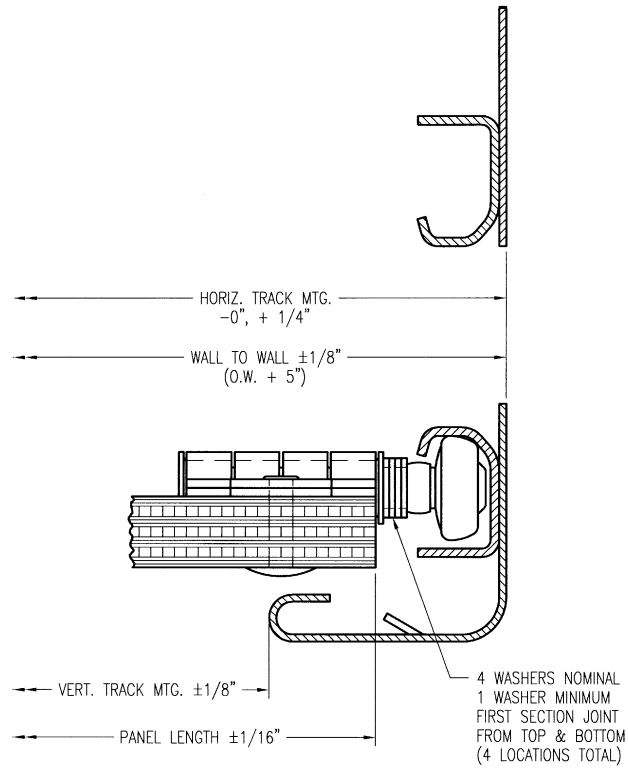
High-tension spring can cause severe injury or death.

Repairs and adjustments must be made by trained service personnel.

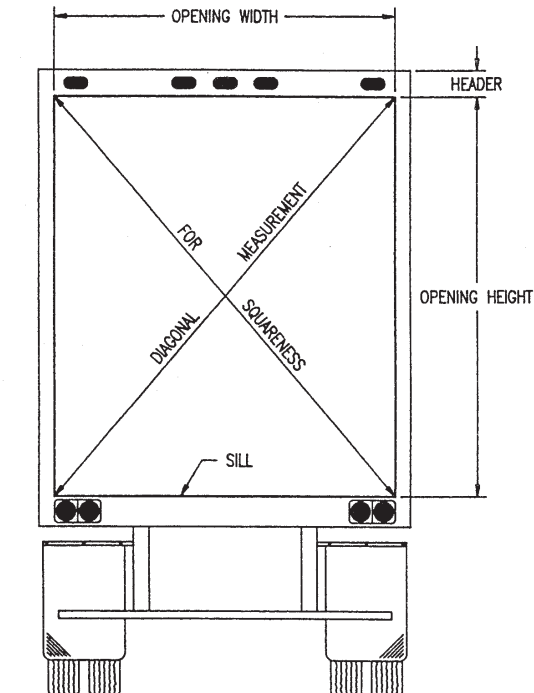
1. LOCATE STICKERS PROPERLY.
 - A. Warning and safety instructions sticker on outside of door bottom panel.
 - B. Spring warning sticker on inside center of door panel.
2. REMOVE PREMASK.
3. DO NOT PAINT OVER STICKERS.
4. REPLACE WORN, FADED OR DAMAGED STICKERS.

For assistance, contact your TODCO representative or plant at (740) 383-6376.

DOOR INSTALLATION TOLERANCES

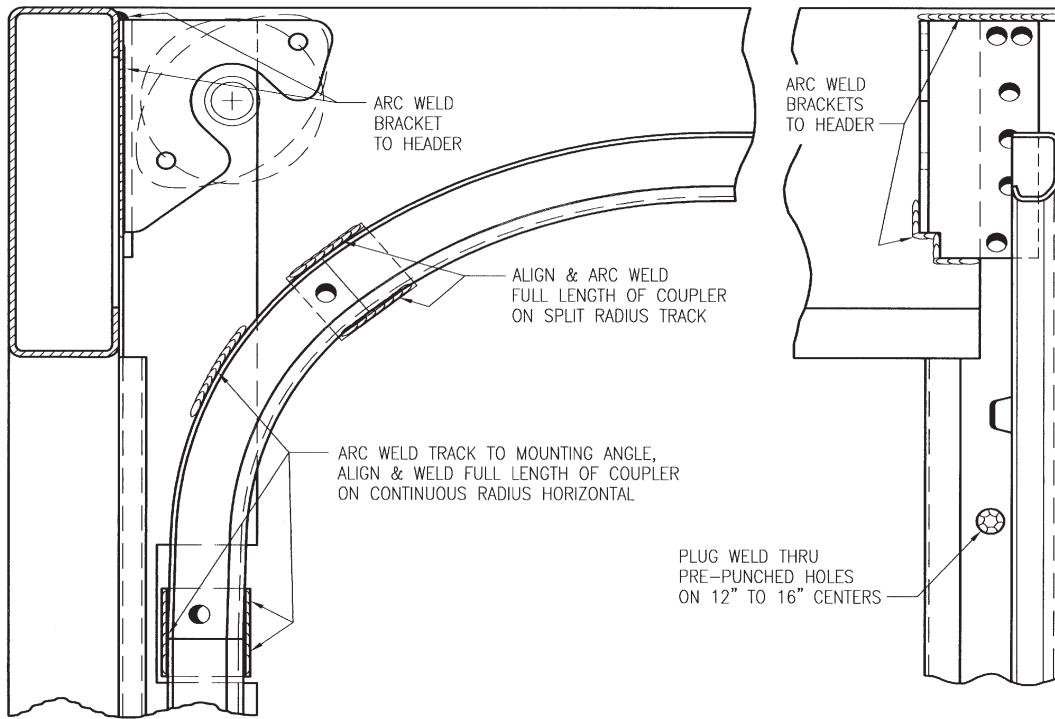


OPENING TOLERANCES:
 OPENING WIDTH: $\pm 1/8"$
 OPENING HEIGHT: $\pm 1/8"$
 DIAGONAL SQUARENESS: WITHIN $1/4"$

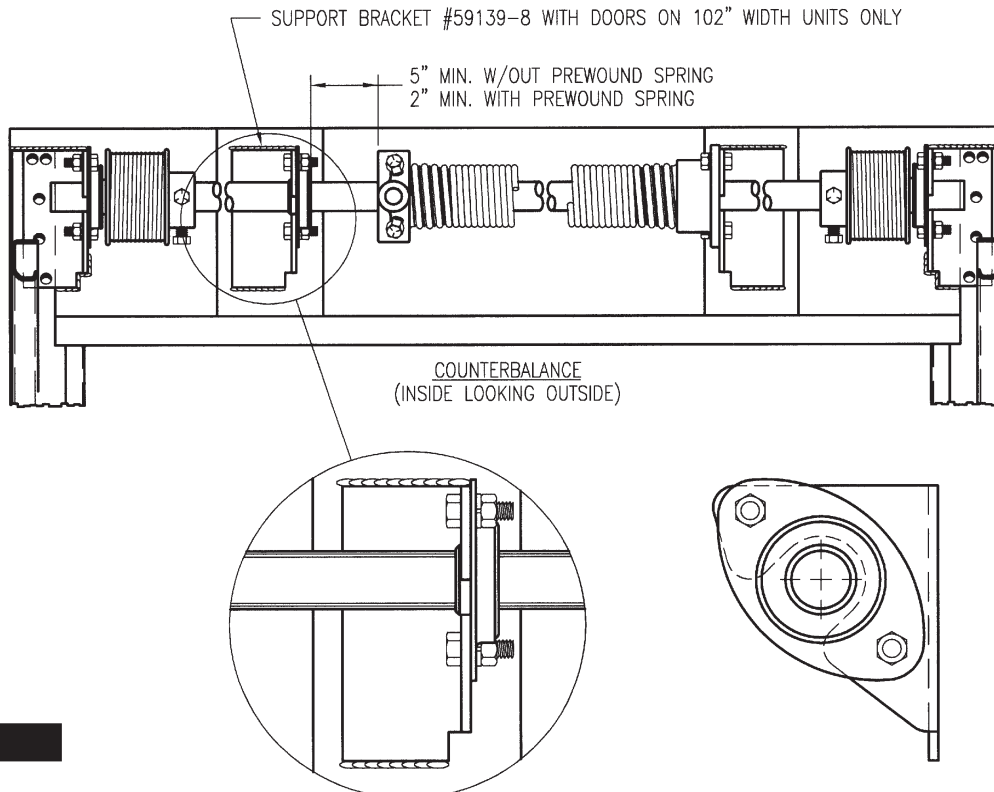


NOTE:
 MEASURE OPENING WIDTH & HEIGHT AT TWO DIFFERENT LOCATIONS FOR COMPARISON

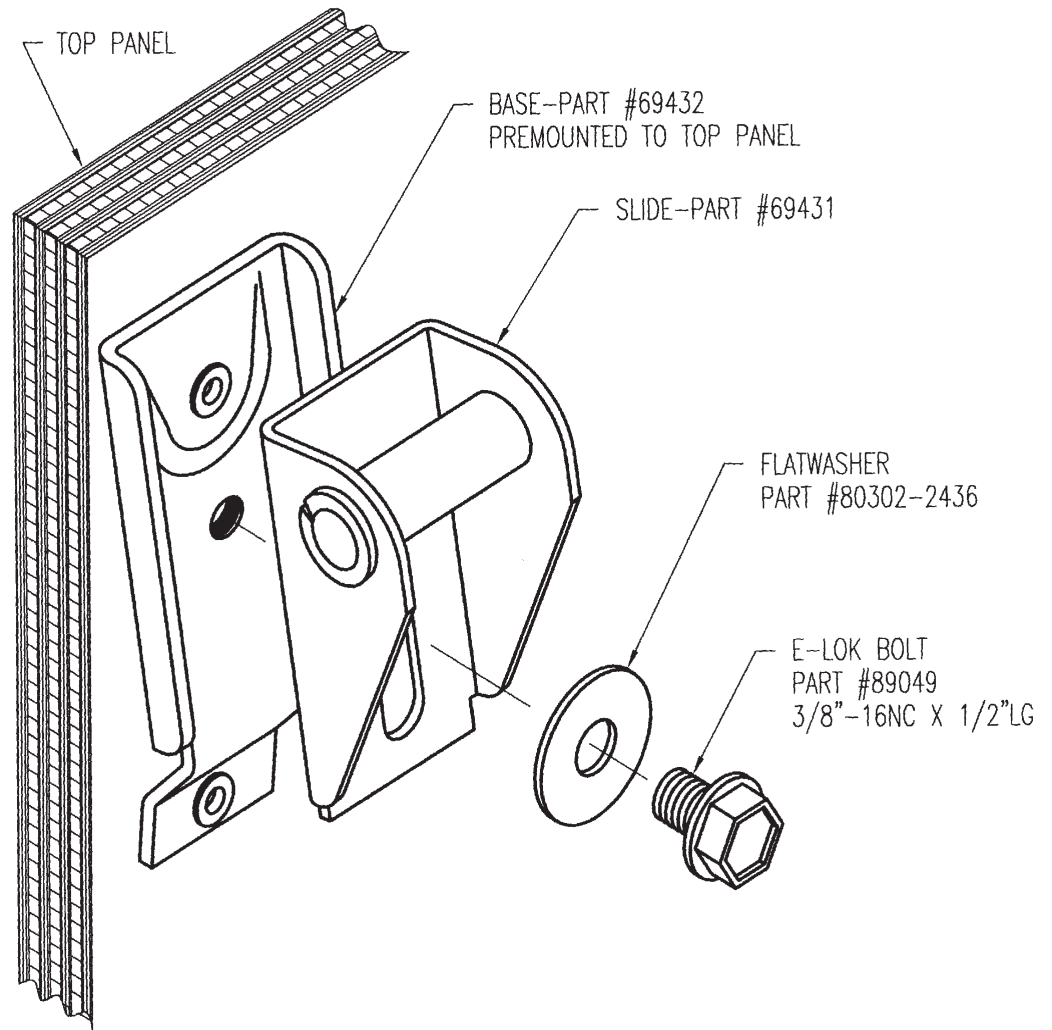
WELDING DETAILS - HORIZONTAL & VERTICAL TRACK



COUNTERBALANCE SUPPORT BRACKET



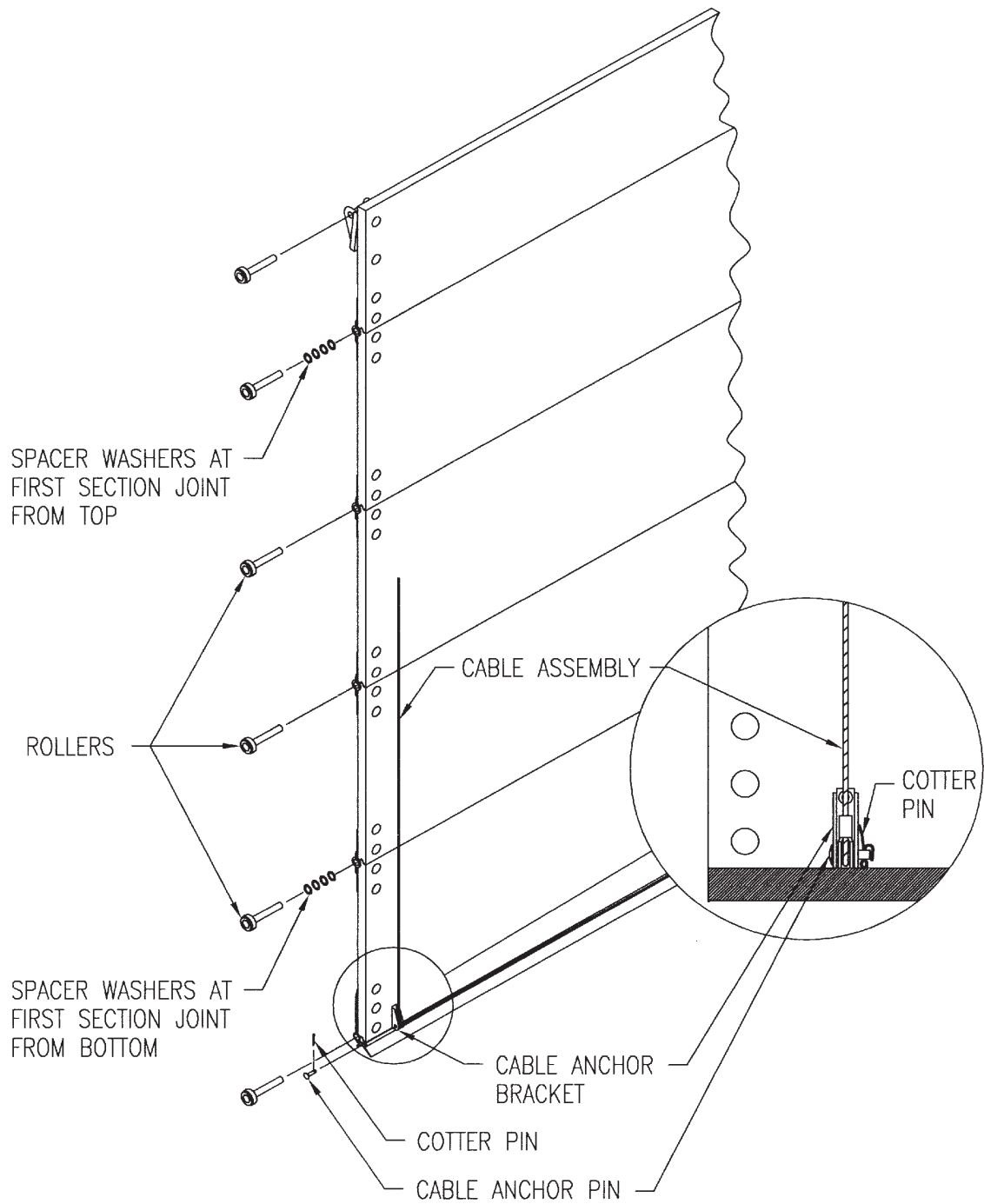
ADJUSTABLE TOP FIXTURE INSTALLATION



INSTALLATION INSTRUCTIONS:

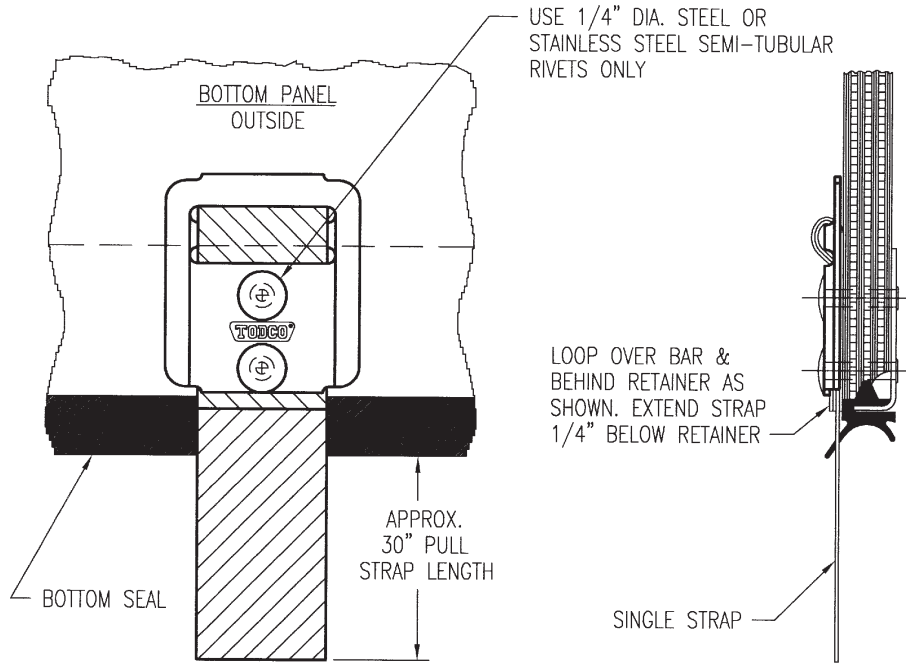
1. Assemble parts on top panel as shown above. Base is pre-mounted by TODCO.
2. Install door – make sure rollers are installed in top fixture slides prior to mounting.
3. Bring top panel to correct vertical position.
4. Adjust slide in base until it holds panel in correct position.

SPACER WASHER & CABLE MOUNTING

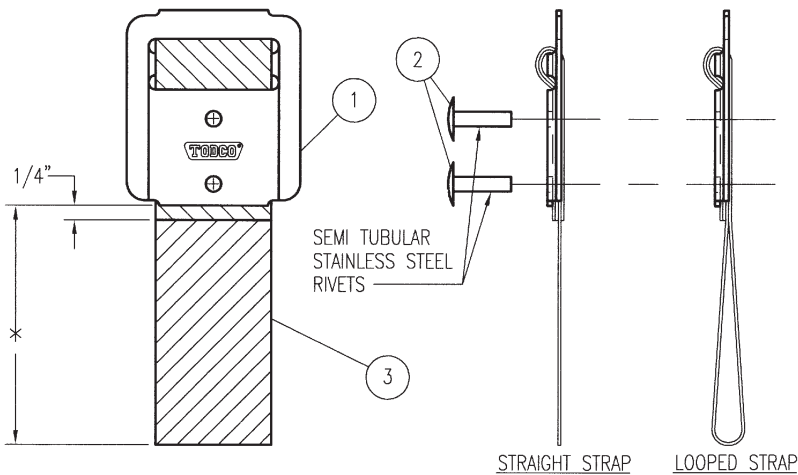


PULL STRAP

STANDARD 30" SINGLE PULL STRAP MOUNTING



PULL STRAP KIT



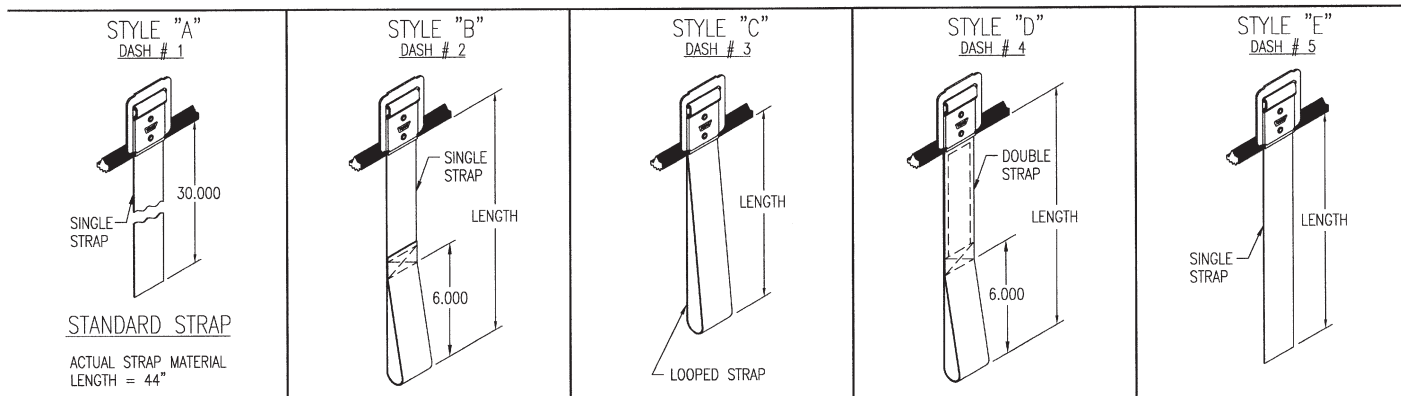
KITS AVAILABLE

89108-1	19" Looped Kit
89108-2	32" Looped Kit
89108-3	12" Looped Kit
89108-4	24" Looped Kit
89108-5	30" Straight Kit
89108-6	24" Straight Kit

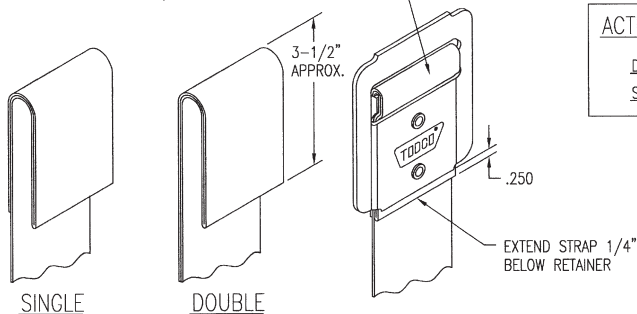
KIT NUMBER

ITEM	PART NO.	DESCRIPTION	KIT NUMBER					
			89108-1	89108-2	89108-3	89108-4	89108-5	89108-6
1	69832	Retainer	1	1	1	1	1	1
2	89217-0040	Rivet - 1/4" ϕ x 1-1/4"	2	2	2	2	2	2
3	80844-1664	Pull Strap - 52" LG	1	-	-	-	-	-
3	80844-2496	Pull Strap - 78" LG	-	1	-	-	-	-
3	80844-1216	Pull Strap - 38" LG	-	-	1	-	-	-
3	80844-1984	Pull Strap - 62" LG	-	-	-	1	-	-
3	80844-1408	Pull Strap - 44" LG	-	-	-	-	1	-
3	80844-1216	Pull Strap - 38" LG	-	-	-	-	-	1

PULL STRAP OPTIONS



LOOP STRAP OVER BAR & BEHIND RETAINER.
EXTEND STRAP 1/4" BELOW RETAINER AS SHOWN



ACTUAL STRAP MATERIAL LENGTH

DOUBLE STRAP: LENGTH X 2 + 14"

SINGLE STRAP: LENGTH + 14"

70378.X X XXXX

* LENGTH IN 32nds *
COLOR (SEE DASH # BELOW)
STYLE (SEE DASH # BELOW)
BASE NUMBER

STYLE	DASH #	COLOR	DASH #
A	1	RANDOM	1
B	2	BLACK	2
C	3	WHITE	3
D	4	ROYAL BLUE	4
E	5	GRAY	5

* LENGTH IS AS SHOWN ON DRAWING
NOT ACTUAL STRAP LENGTH

SINGLE & DOUBLE STRAP MOUNTING

MAINTENANCE & REPAIR





PREVENTIVE MAINTENANCE AND

PREVENTIVE MAINTENANCE

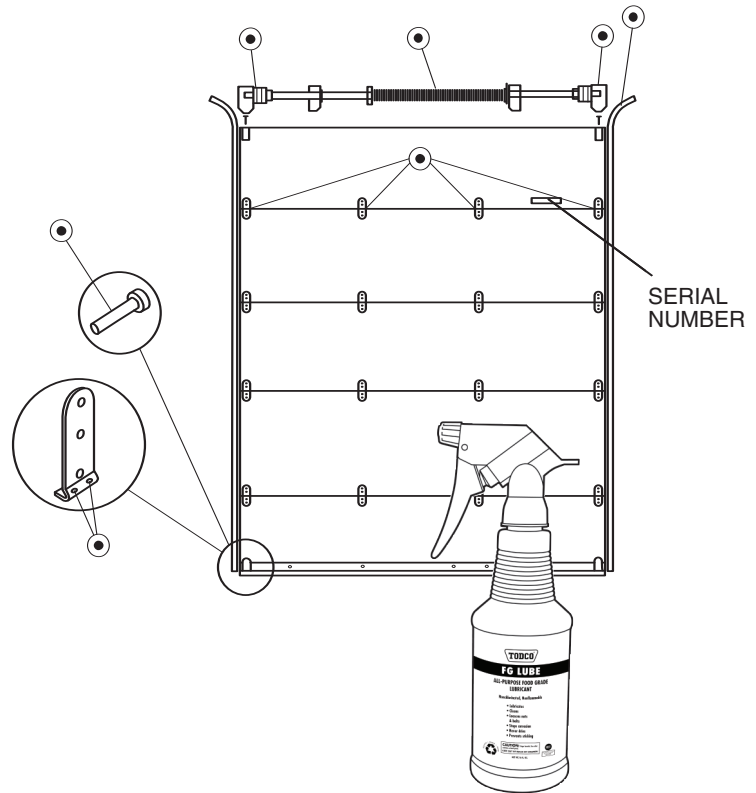
Your TODCO upward-acting door will provide years of service if it is properly maintained. Repairs and adjustments to the spring and counterbalance assembly, cables or panels must be made by a trained service person. Genuine TODCO replacement parts should be used. You can ensure the smooth operation of your door by regular lubrication as shown at right. Please refer to serial number for replacement parts.

LUBRICATION

Door maintenance and lubrication frequency will vary with use of the door, climate conditions and cleaning procedures. Do not use TODCO Lube or any petroleum-base lubricant on rubber door seals.

Lubricate the counterbalance, bearings, rollers, hinges and lock liberally with TODCO Lube. (See ☉) Do not use grease. Wipe dirt from track. Frequency of door maintenance will vary with climate conditions and door cleaning procedures. Doors which are steam cleaned will need lubricating more often. Doors on equipment which is run in areas where road salts are used will require lock lubrication at closer intervals.

NOTE: Do not use TODCO Lube or any petroleum-based lubricant on rubber door seals.



INTERMEDIATE AND TOP PANEL REPLACEMENT

1. Securely clamp the track below the panel to be replaced to prevent the door from rising.
2. Drill out rivets on hinge halves of the panel to be replaced and pry the hinge half loose.
3. Lift the door panels above the panel to be replaced into the horizontal track and secure with vise grips clamped on horizontal track.
4. Remove the old panel, line up the new one and drill all of the hinge holes on the bottom of the new panel.
5. Insert bolts in the holes, install the hinges over the bolts and tighten the nuts.
6. Lower the door from the horizontals and drill all the holes in top of the panel.
7. With the upper door section clamped so it will not fall, tip the panel toward you to insert the bolts. Install the hinges over the bolts and tighten the nuts.

The replacement of the panel is now complete.

CABLE REPLACEMENT PROCEDURE (With Tension on Spring)

1. Close door from inside. Release spring tension from cables by fully inserting 1/2" diameter x 18" winding bar into one of the spring winding plug holes.
2. Raise bar enough to allow inserting of second winding bar into lower hole and release tension to let second bar rest against top panel.
3. Loosen set screws on cable drums, releasing cable drum from shaft, remove cable(s) from cable drum(s).
4. Remove cable(s) from door bottom panel by removing anchor and cotter pins (Fig. 2).
5. Mount new cables with anchor and cotter pins on bottom panel and bring cable stop end to top of door between top panel and header.

CAUTION:

Raising door can cause injury or damage to equipment. Steps 4 and 5 must be done by someone on the outside of the door. DO NOT raise door with winding bar in place.

REPAIR PROCEDURE

FIG. 1
Counterbalance
Shown Inside
Looking Outside

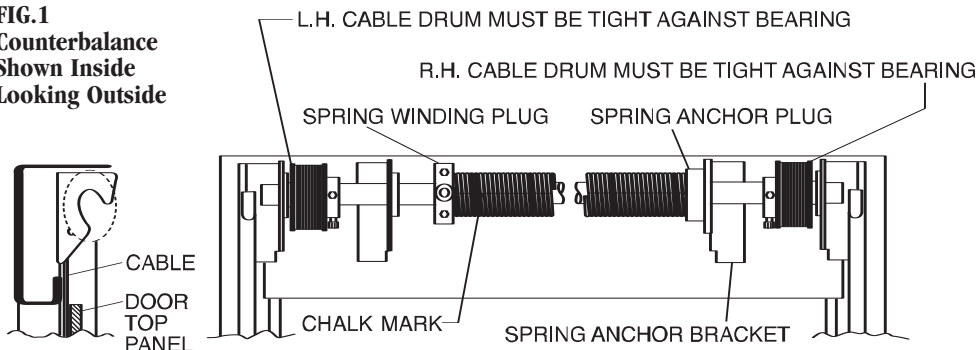
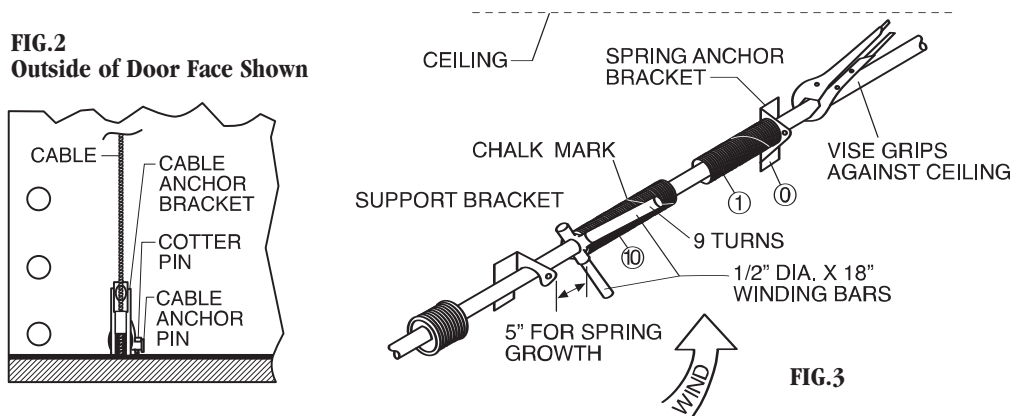


FIG. 2
Outside of Door Face Shown



6. Insert the cable stop end into the cable drum slot. Thread the cable into the groove nearest the slot and turn the cable drum toward you until all slack is taken out, making sure the cable is following in its proper groove.
7. Maintaining tension on the cable, slide the cable drum on the counterbalance shaft against the bearing and properly tighten both set screws.
8. Repeat cable mounting procedure for opposite side, making sure **drums are against bearings, set screws are properly tightened and cables have equal tension.**
9. Release spring tension by rotating spring winding plug just far enough to allow removal of winding bar against top of door.

NOTE: Rotating the counterbalance assembly too far may cause cables to jump off cable drum.

SPRING READJUSTMENT PROCEDURE (With Cables Mounted)

1. Close door from inside. Clamp counterbalance shaft with vise grip handle against ceiling to keep cables tight. (Fig. 3)
2. Release spring tension from shaft by fully inserting 1/2" diameter x 18" winding bar into one of the spring winding plug holes. While holding the bar to keep spring from unwinding, carefully loosen the two(2) winding plug set screws.

3. After loosening spring winding plug set screws, use both winding bars to add (lift up) or remove (lower down) spring tension.
4. After adjusting the spring tension, properly tighten set screws on the spring winding plug and remove vise grip from the counterbalance shaft.

NOTE: A properly counterbalanced door should, when stopped, remain at any given location.

CABLE MOUNTING AND SPRING WINDING PROCEDURE

1. Mount new cables with anchor and cotter pins on bottom panel and bring cable stop end to top of door between top panel and header.
2. Insert the cable stop end into the cable drum slot. Thread the cable into the groove nearest the slot and turn the cable drum toward you until all slack is taken out, making sure the cable is following in its proper groove.
3. Maintaining tension on the cable, slide the cable drum on the counterbalance shaft against the bearing and properly tighten both set screws.
4. Clamp counterbalance shaft with vise grip handle against ceiling to keep cables tight. (Fig. 3)

(Continued on back page)

WARNING:

High-tension spring can cause severe injury or death.

- Installation, repairs and adjustments must be made by trained service personnel using proper tools and instructions.
- Use 1/2" diameter by 18" winding bars only. **DO NOT USE** bent winding bars, screwdrivers, or punches for spring winding.
- Read all instructions before starting repair.
- Always maintain firm footing and control of tools.



For new orders and order For
new orders and order inquiries:

call: (740) 383-6376

fax: 1-800-24-TODCO
(800-248-6326)



1332 Fairground Road East
Marion, Ohio 43302
(740) 383-6376

NOT JUST TOUGH...TODCO-TOUGH

www.todco.com

5. Repeat cable mounting procedure for opposite side, making sure **drums are against bearings, set screws are properly tightened and cables have equal tension.**
6. Determine the number of winds needed for the counterbalance spring by dividing the door opening height (in inches) by 10 and adding three turns. Example: 75 inches divided by 10 = 7.5 turns + 3 turns = 10.5 or 10 and one-half turns.
7. Run a chalk mark the full length of the counterbalance spring (Fig. 1). Leave vise grips clamped to the shaft to keep tension on the cables.
8. Fully insert 1/2" diameter by 18" winding bar into one of the spring winding plug holes. Loosen set screws on spring winding plug. Wind the spring by lifting up the bar. While holding the first bar, place a second bar in the next hole and lift in the same manner after removing the first bar. Repeat this until the correct number of complete turns are obtained. Turns are counted by using the chalk marks which show up as stripes as the spring is wound (Fig. 3). Properly tighten both set screws on the spring winding plug and remove the vice grips from the counterbalance shaft.

***NOTE:** A properly counterbalanced door should, when stopped, remain at any given location. If the door leaves the floor by itself, the spring is wound too tightly and a few quarter turns should be released. If the door has a tendency to drop when stopped, a few more quarter turns should be added.*

SHALLOW (RECESSED) HEADER COUNTERBALANCE (FIG. 4)

The shallow (recessed) header counterbalance differs from the conventional counterbalance as follows:

1. Spring anchor plug and right-hand cable drum mount on curbside, 6-hole spring winding plug and left-hand cable drum mount on roadside.
2. Cables come off front side of cable drums, between door face and header.
3. Vise grip clamps against lower header flange to keep cables tight while winding spring.
4. Counterbalance spring winds downward.
5. Cable anchors are mounted at 4-1/8" from panel edge to centerline.
6. Counterbalance shaft length is opening width minus 1-1/8".

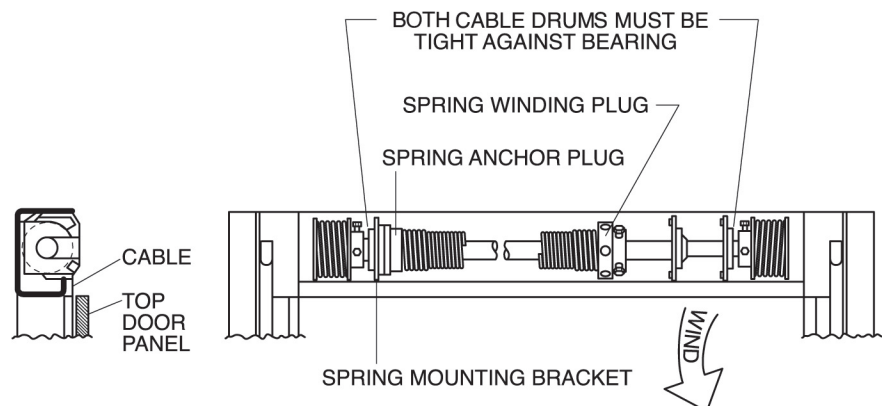
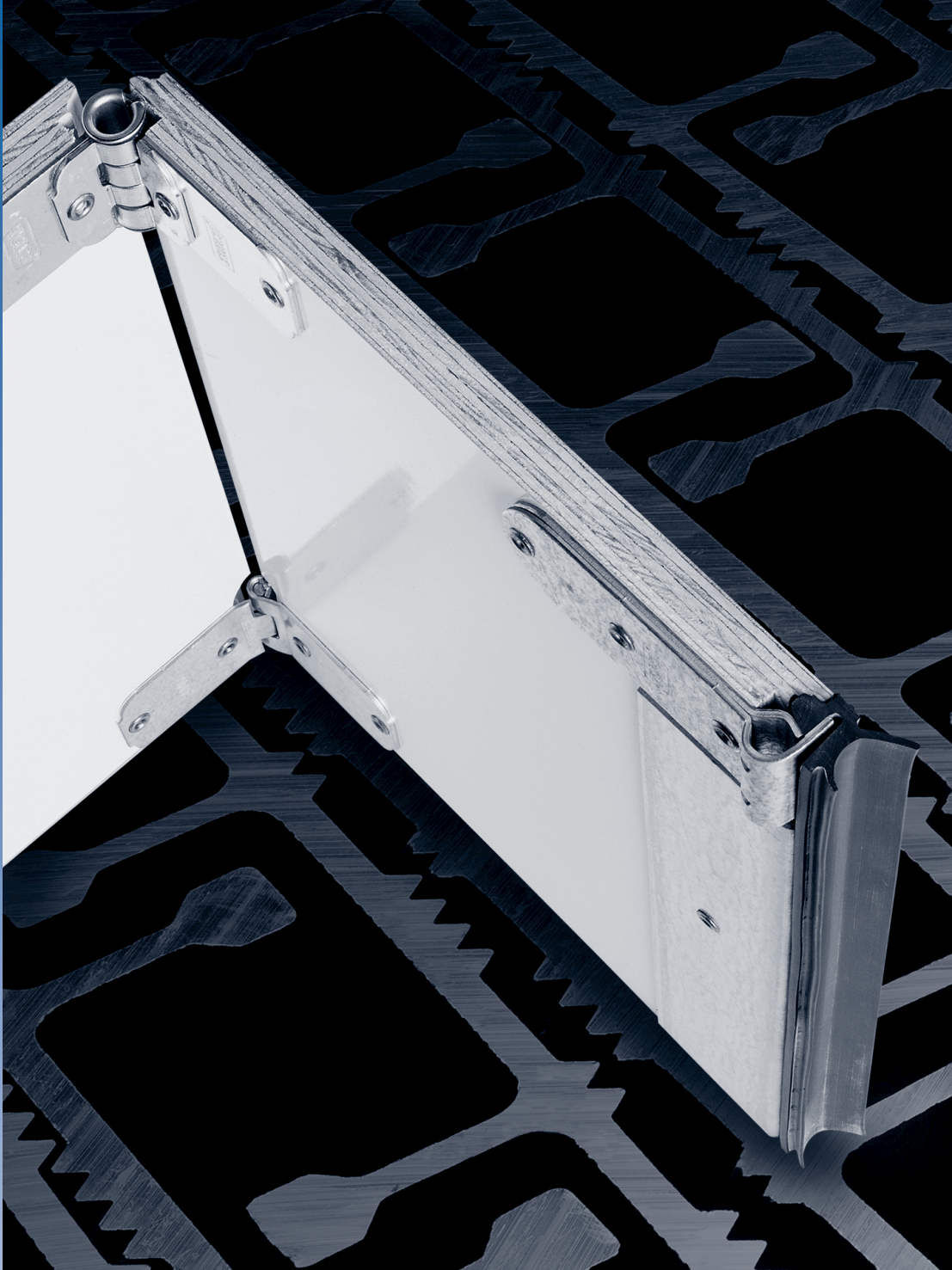


FIG.4 Counterbalance Shown Inside Looking Out

3/4" DRYFREIGHT DOOR

PARTS

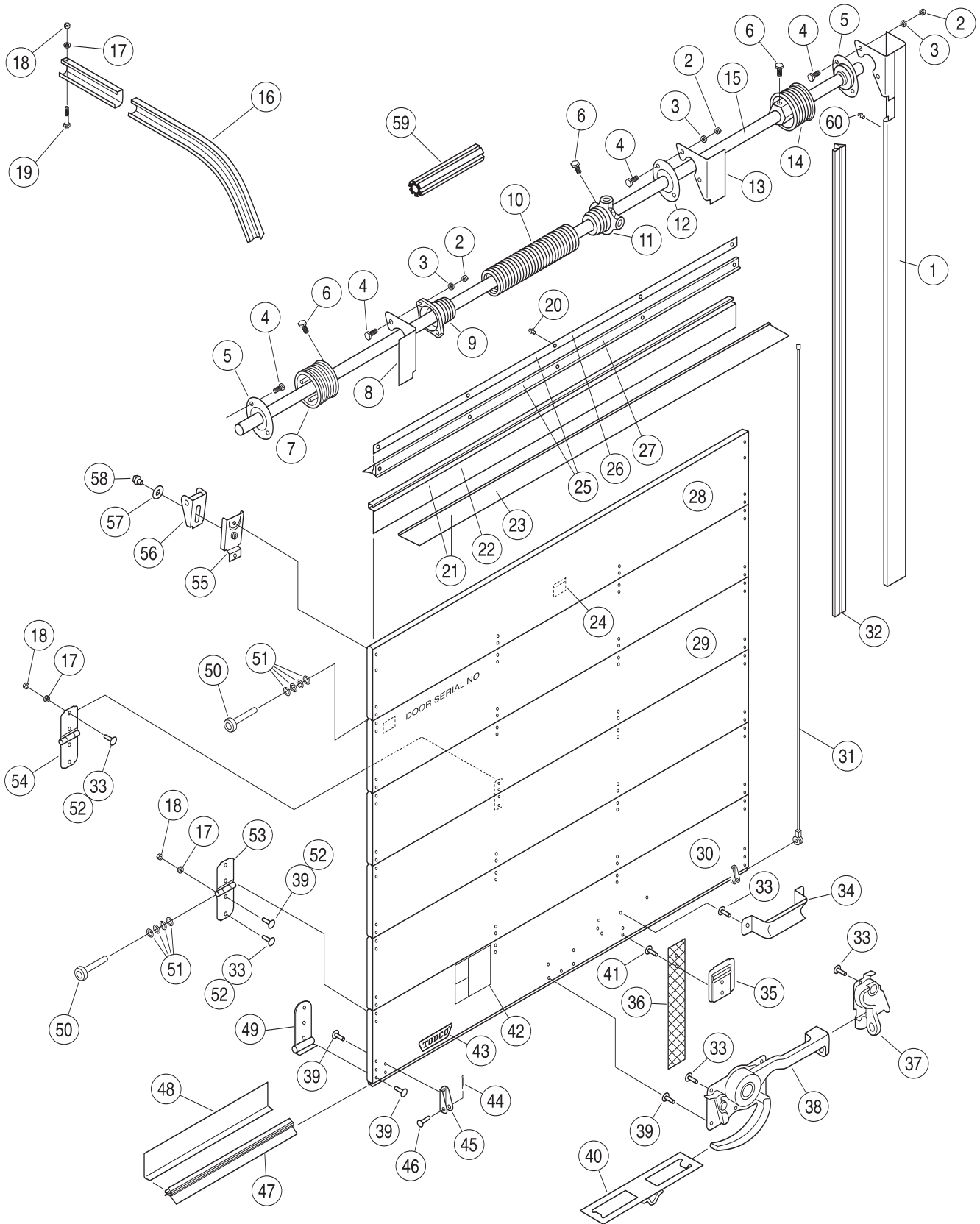


TODCO[®]



3/4" DRYFREIGHT DOOR

(ALUMINUM or PREMIUM-GRADE WOOD)



STANDARD PARTS LIST

Item	Part No.	Description
1	49014-1	Vertical Track Assembly - L.H. (Curbside)
	49014-2	Vertical Track Assembly - R.H. (Roadside)
2	80352-518	Hex Nut - 5/16" NC
3	80322-319	Lock Washer - 5/16"
4	89186-3	Hex Head Bolt - 5/16" NC x 7/8"
5	51038	Bearing Assembly
6	80300-2414	Hex Head Set Screw - 3/8" NC x 7/8"
7	59129-2	Cable Drum (Alum)- R.H. (Roadside) to 105" Dr. Hgt.
	59157-4	Cable Drum (Alum)- R.H. (Roadside) 105" to 120" Dr. Hgt.
8	51036-2	Spring Anchor Bracket
9	51043	Spring Anchor Plug 1-3/4" I.D. Spring
	59024	Spring Anchor Plug 2-1/2" I.D. Spring
10	51042*	Spring - 1-3/4" I.D.
	59031*	Spring - 2-1/2" I.D.
11	59158	Spring Winding Plug 1-3/4" I.D. Spring
	59159	Spring Winding Plug 2-1/2" I.D. Spring
12	59083	Bearing Assembly - Support Bracket
13	51036-1	Support Bracket - L.H. (Curbside)
14	59129-1	Cable Drum - (Alum) L.H. (Curbside) to 105" Door Hgt.
	59157-3	Cable Drum - (Alum) L.H. (Curbside) 105" to 120" Dr. Hgt.
15	59290	Counterbalance Shaft
16	49702-1	Horizontal Track - L.H. (Curbside)
	49702-2	Horizontal Track - R.H. (Roadside)
17	80322-255	Lock Washer - 1/4"
18	80352-420	Hex Nut - 1/4" NC
19	80105-414	Hex Head Bolt - 1/4" NC x 1-3/4"
20	89100-2	Drive Rivet 3/16" Dia. X 15/32" LG.
		Head Seal Assembly (Panel Mounted)
21	70001	Head Seal Assembly (Panel Mounted)
22	69790	Retainer - Head Seal (Panel Mounted)
23	69718	Head Seal (Panel Mounted)
24	70319	Warning Sticker - Counterbalance
25	69770	Head Seal Assembly (Header Mounted)
		Retainer - Head Seal (Header Mounted)
26	61403	Head Seal (Header Mounted)
27	61402	Top Panel - ToughShell
28	29013	No Hardware
	29017	Top Panel - Aluminum Covered No Hardware

Item	Part No.	Description
29	29014	Intermediate Panel - ToughShell Coated - No Hardware
	29018	Intermediate Panel - Aluminum Covered - No Hardware
30	29016**	Bottom Panel - ToughShell Coated
	29020**	Bottom Panel - Aluminum Covered
31	51044	Cable Assembly - 110" LG. - to 100" Door Height
		Cable Assembly - 115" LG. 100" to 105" Door Height
32	59003	Cable Assembly - 130" LG. 105" to 120" Door Height
		Side Seal - Pair
33	89210-0032	Rivet - 1" LG.
34	61401	Lift Handle
35	69832	Pull Strap Retainer
36	80844-1408	Pull Strap - 30" Straight Standard (44" LG.)
37	69572	Keeper Assembly
38	69571	Maximum Security Lock Assembly - Standard
	70223	Maximum Security Lock Assembly - Offset Lever Arm
39	89210-0036	Rivet - 1-1/8" LG.
40	70093	Catch Box
41	89210-0044	Rivet - 1-3/8" LG.
42	70318	Warning Sticker - Safety Notice
43	69793	Name Plate
44	80401-316	Cotter Pin - 3/32" Dia.
45	61204	Cable Anchor Bracket
46	61026	Cable Anchor Pin
47	80840	Bottom Seal
48	61191	Bottom Angle
49	61352	Bottom Fixture
50	61174	Roller
51	80020	Spacer Washer-Roller
52	80015-0040	Step Bolt - 1/4" NC x 1-1/4"
53	69035	End Hinge
54	61196	Center Hinge
55	69432	Base - Adjustable Top Fixture
56	69431	Slide - Adjustable Top Fixture
57	80302-2436	Flatwasher - 3/8"
58	89049	E-Lok Bolt - 3/8" NC
59	59092	Filler Plug - 2-1/2" I.D. Spring
60	89100-1	Drive Rivet - 3/16" Dia. x 9/32" LG.

* See counterbalance instructions at the right.

** Includes bottom seal, bottom fixtures & bottom angle, drilled for lock. Does not include lock, pull strap, lift handle or cable anchor brackets.

Note: Add .05 to end of part number for e-coated part.

MAINTENANCE GUIDE

Lubricate with TODCO Lube all roller bearings and stems, (lubricate bottom roller stem through holes in bottom fixture), counterbalance bearings, center and end hinges, and moving lock parts.



Wipe dirt from tracks. Spray horizontal tracks with TODCO Lube or light oil (never grease). Spray counterbalance with TODCO Lube to prevent

rusting. REFER TO SAFETY INSTRUCTIONS STICKER ON DOOR AND OWNER'S MANUAL FOR OPTIONS AND FOR OTHER IMPORTANT SAFETY AND MAINTENANCE ITEMS.



COUNTERBALANCE ASSEMBLIES

Every TODCO counterbalance assembly has been manufactured to meet a custom door specification. TO HELP ENSURE THAT YOU RECEIVE THE CORRECT REPLACEMENT PART OR ASSEMBLY, PLEASE PROVIDE THE DOOR SERIAL NUMBER. This can be found on the metal tag attached to the inside upper right-hand corner of the door.

If the serial number is unavailable, we must have the following information:

- 1) Inside diameter (I.D.) of the torsion spring.
- 2) Length of the torsion spring.
- 3) Number of coils within 10 inches of the torsion spring.
- 4) Length of the shaft.
- 5) Part number on each of the two (2) cable drums.



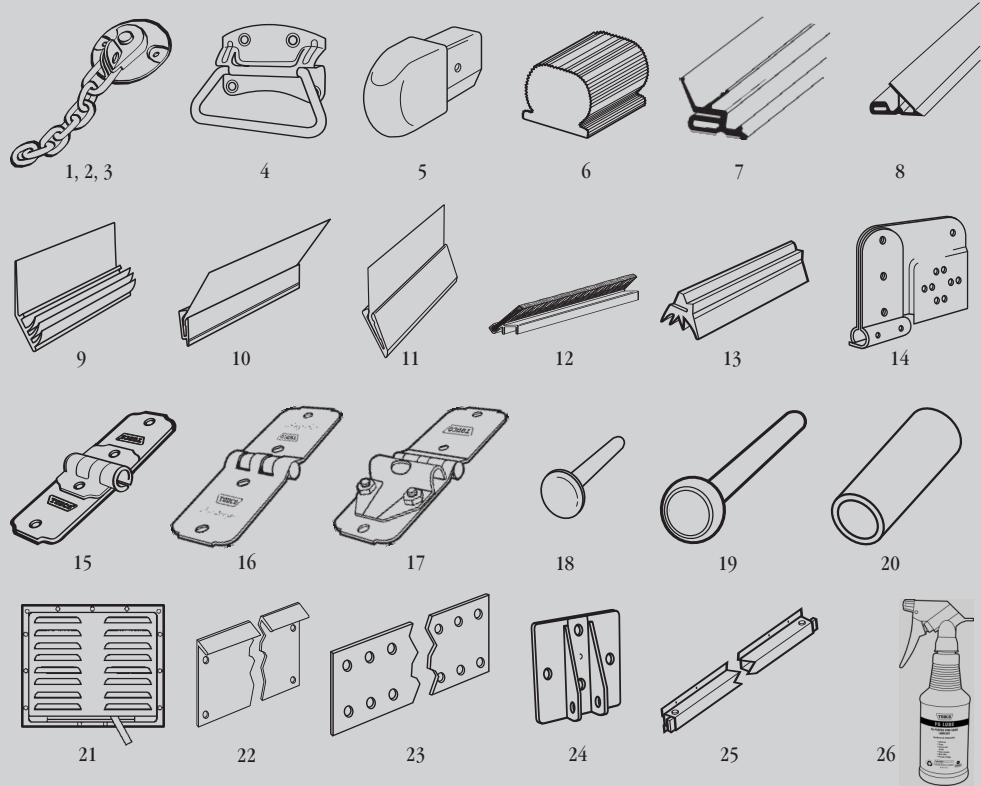
DRYFREIGHT ACCESSORY PARTS

ORDERING INSTRUCTIONS

When ordering parts, be sure to include the part name and number and your door's SERIAL NUMBER. See metal tag attached to the inside upper right-hand corner of the door (standing inside unit facing the door).



Orders for replacement door panels should specify whether top, intermediate or bottom panel is required (panel width, height and thickness dimensions should be indicated).



Please order from the TODCO plant nearest you:

Marion, Ohio 43302
1332 Fairground Road East
(740) 383-6376

Fresno, California 93725
4771 East Date Avenue
(559) 485-9830

For new orders and order inquiries, fax 1-800-24-TODCO (800-248-6326).



NOT JUST TOUGH...TODCO-TOUGH.

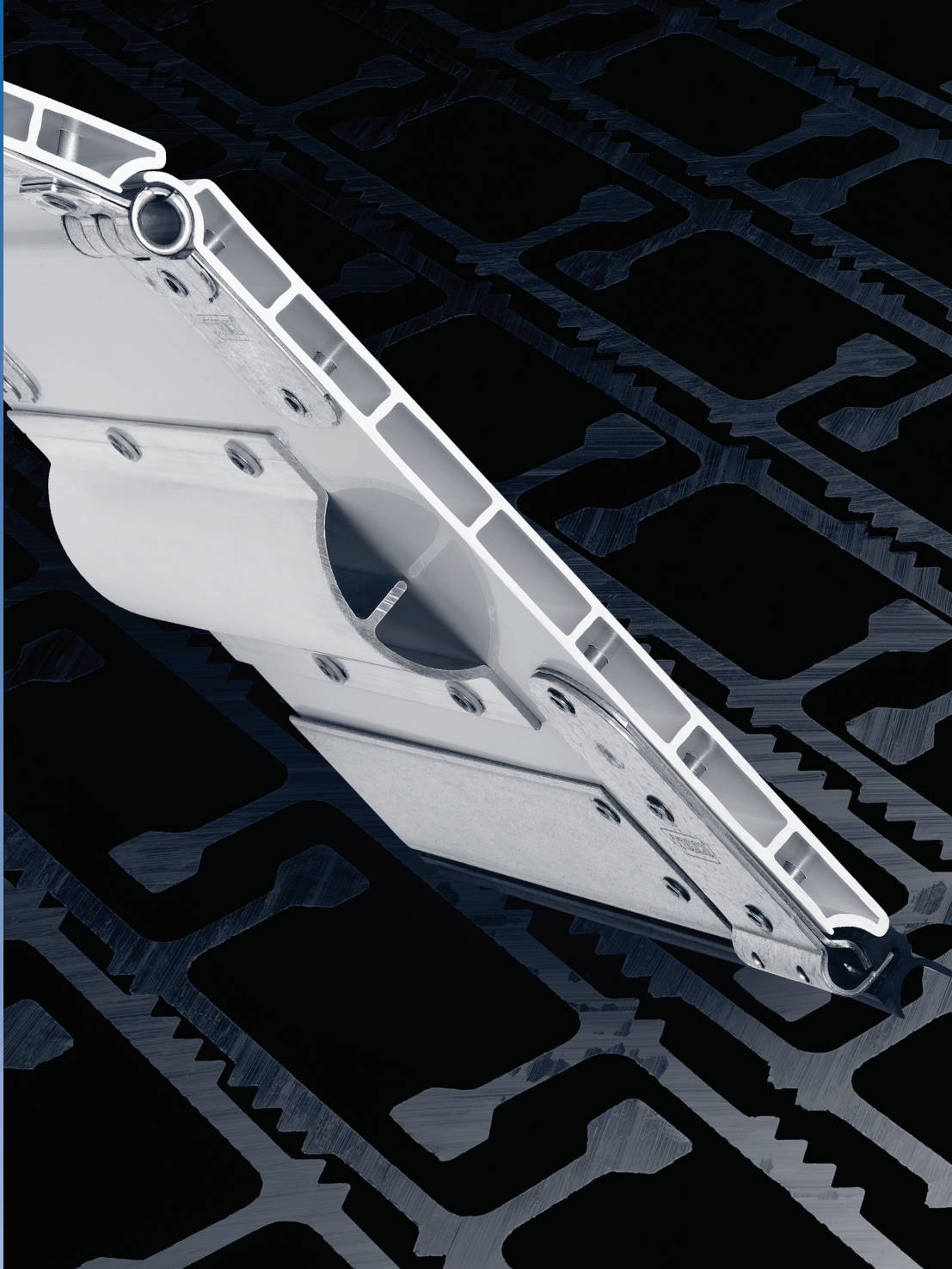
www.todco.com

Item	Part No.	Description	Item	Part No.	Description
1	61223	Back Plate - Safety Chain	16	70238	Center Hinge - High Strength
2	61229	Safety Chain		70434	Center Hinge - Stainless Steel
3	69020	Safety Chain Lock Assembly	17	70311	End Hinge - Removable Roller
4	69325	Drop Lift Handle	18	89291-0032	Rivet - 1" Stainless Steel
5	69353	Head Protector (Yellow)		89291-0036	Rivet - 1-1/8" Stainless Steel
6	61398	Bumper Stop (Black)		89291-0040	Rivet - 1-1/4" Stainless Steel
7	70131	Side Seal - Dual Lip		89291-0042	Rivet - 1-5/16" Stainless Steel
8	69840	Side Seal - Extended Lip		89291-0044	Rivet - 1- 3/8" Stainless Steel
9	70338	Side Seal Assembly - Push in (1/2" Track Spacing)		89291-0048	Rivet - 1-1/2" Stainless Steel
10	69922	Side Seal Assembly	19	69162	Roller - 1" Sealed
11	70105	Side Seal Assembly Secondary		70305	Roller - 1" Sealed (Precision Machined)
12	70232	Side Seal Assembly - 1" Brush	20	51078	Spring Silencer Boot
	70313	Side Seal Assembly - 1-1/2" Brush	21	69085	Polar Vent - Aluminum
13	89204	Bottom Seal - Heavy Duty (3/4" Door)	22	70306-0512	Forklift Plate - Aluminum (16" Long)
14	69964-1	Bottom Fixture Assembly H.D./L.H. (Curbside)		70306-1152	Forklift Plate - Aluminum (36" Long)
	69964-2	Bottom Fixture Assembly H.D./R.H. (Roadside)	23	69111	Reinforcement Strap
15	70236	End Hinge - High Strength	24	59193	Heavy Duty Cable Anchor Bracket
	70435	End Hinge - Stainless Steel	25	39582	Load Bar
			26	3900-1012	TODCO Lube (case)

TODCO reserves the right to change product specifications at any time without notice.

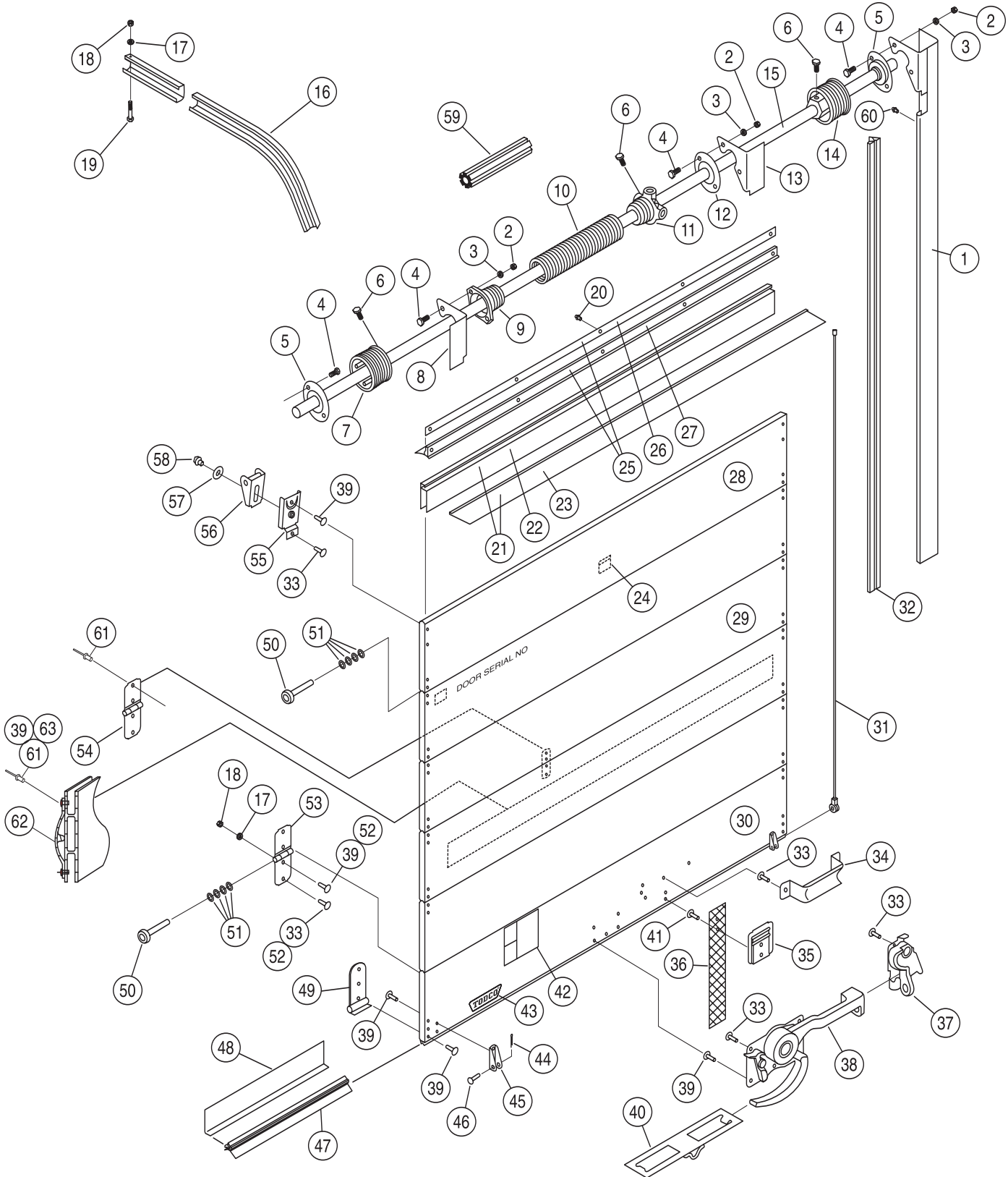
WEATHERTITE™ DOOR

PARTS





WEATHERTITE DOOR



STANDARD PARTS LIST

Item	Part No.	Description
1	49014-1	Vertical Track Assembly - L.H. (Curbside)
	49014-2	Vertical Track Assembly - R.H. (Roadside)
2	80352-518	Hex Nut - 5/16" NC
3	80322-319	Lock Washer - 5/16"
4	89186-3	Hex Head Bolt - 5/16" NC x 7/8"
5	51038	Bearing Assembly
6	80300-2414	Hex Head Set Screw - 3/8" NC x 7/8"
7	59129-2	Cable Drum - R.H. (Roadside) to 105" Door Height
	59157-4	Cable Drum - R.H. (Roadside) 105" to 120" Door Height
8	51036-2	Spring Anchor Bracket
9	51043	Spring Anchor Plug 1-3/4" I.D. Spring
	59024	Spring Anchor Plug 2-1/2" I.D. Spring
10	51042*	Spring - 1-3/4" I.D.
	59031*	Spring - 2-1/2" I.D.
11	59158	Spring Winding Plug 1-3/4" I.D. Spring
	59159	Spring Winding Plug 2-1/2" I.D. Spring
12	59083	Bearing Assembly - Support Bracket
13	51036-1	Support Bracket - L.H. (Curbside)
14	59129-1	Cable Drum - L.H. (Curbside) to 105" Door Height
	59157-3	Cable Drum - L.H. (Curbside) 105" to 120" Door Height
15	59290	Counterbalance Shaft
16	49702-1	Horizontal Track - L.H. (Curbside)
	49702-2	Horizontal Track - R.H. (Roadside)
17	80322-255	Lock Washer - 1/4" NC
18	80352-420	Hex Nut - 1/4" NC
19	80105-414	Hex Head Bolt - 1/4" NC x 1-3/4"
20	89100-2	Drive Rivet 3/16" Dia. X 15/32" LG.
21	70468	Head Seal Assembly (Panel Mounted)
22	70464	Retainer - Head Seal (Panel Mounted)
23	69718	Head Seal (Panel Mounted)
24	70319	Warning Sticker - Counterbalance
25	69770	Head Seal Assembly (Header Mounted)
	61403	Retainer - Head Seal (Header Mounted)
27	61402	Head Seal (Header Mounted)

Item	Part No.	Description
28	29917**	Top Panel - WeatherTite
29	29918**	Intermediate Panel - WeatherTite
30	29919**	Bottom Panel - WeatherTite
31	51044	Cable Assembly - 110" LG. - to 100" Door Height
	59004	Cable Assembly - 115" LG. 100" to 105" Door Height
	59003	Cable Assembly - 130" LG. 105" to 120" Door Height
32	61390	Side Seal - Pair
33	89210-0032	Rivet - 1" LG.
34	61401	Lift Handle
35	69832	Pull Strap Retainer
36	80844-1408	Pull Strap - 30" Straight Standard (44" LG.)
37	69572	Keeper Assembly
38	69571	Maximum Security Lock Assembly - Standard
	70223	Maximum Security Lock Assembly - Offset Lever Arm
39	89210-0036	Rivet - 1-1/8" LG.
40	70093	Catch Box
41	89210-0044	Rivet - 1-3/8" LG.
42	70318	Warning Sticker - Safety Notice
43	69793	Name Plate
44	80401-316	Cotter Pin - 3/32" Dia.
45	61204	Cable Anchor Bracket
46	61026	Cable Anchor Pin
47	80840	Bottom Seal
48	61191	Bottom Angle
49	61352	Bottom Fixture
50	61174	Roller
51	80020	Spacer Washer-Roller
52	80015-0040	Step Bolt - 1/4" NC x 1-1/4"
53	69035	End Hinge
54	61196	Center Hinge
55	69432	Base - Adjustable Top Fixture
56	69431	Slide - Adjustable Top Fixture
57	80302-2436	Flatwasher - 3/8"
58	89049	E-Lok Bolt - 3/8" NC
59	59092	Filler Plug - 2-1/2" I.D. Spring
60	89100-1	Drive Rivet - 3/16" Dia. x 9/32" LG.
61	89299-4000	Blind Rivet - 1/4" Dia.
62	70465	Reinforcement Strap for Panels over 89.25" Width
63	89317	Sleeve

* See counterbalance instructions at the right.

** Must specify panel size and hardware.

Note: Add .05 to end of part number for e-coated part.

MAINTENANCE GUIDE

Lubricate with TODCO FG Lube all roller bearings and stems, (lubricate bottom roller stem through holes in bottom fixture), counterbalance bearings, center



and end hinges, and moving lock parts.

Wipe dirt from tracks.

Spray horizontal tracks with TODCO FG Lube or light oil (never grease).

Spray counterbalance with TODCO FG Lube to

prevent rusting. REFER TO SAFETY

INSTRUCTIONS STICKER ON

DOOR AND OWNER'S MANUAL

FOR OPTIONS AND FOR OTHER

IMPORTANT SAFETY AND

MAINTENANCE ITEMS.



COUNTERBALANCE ASSEMBLIES

Every TODCO counterbalance assembly has been manufactured to meet a custom door specification.

TO HELP ENSURE THAT YOU RECEIVE THE CORRECT REPLACEMENT PART OR ASSEMBLY,

PLEASE PROVIDE THE DOOR SERIAL NUMBER. This can be

found on the metal tag attached to the inside upper right-hand

corner of the door.

If the serial number is unavailable, we must have the following information:

- 1) Inside diameter (I.D.) of the torsion spring.
- 2) Length of the torsion spring.
- 3) Number of coils within 10 inches of the torsion spring.
- 4) Length of the shaft.
- 5) Part number on each of the two (2) cable drums.



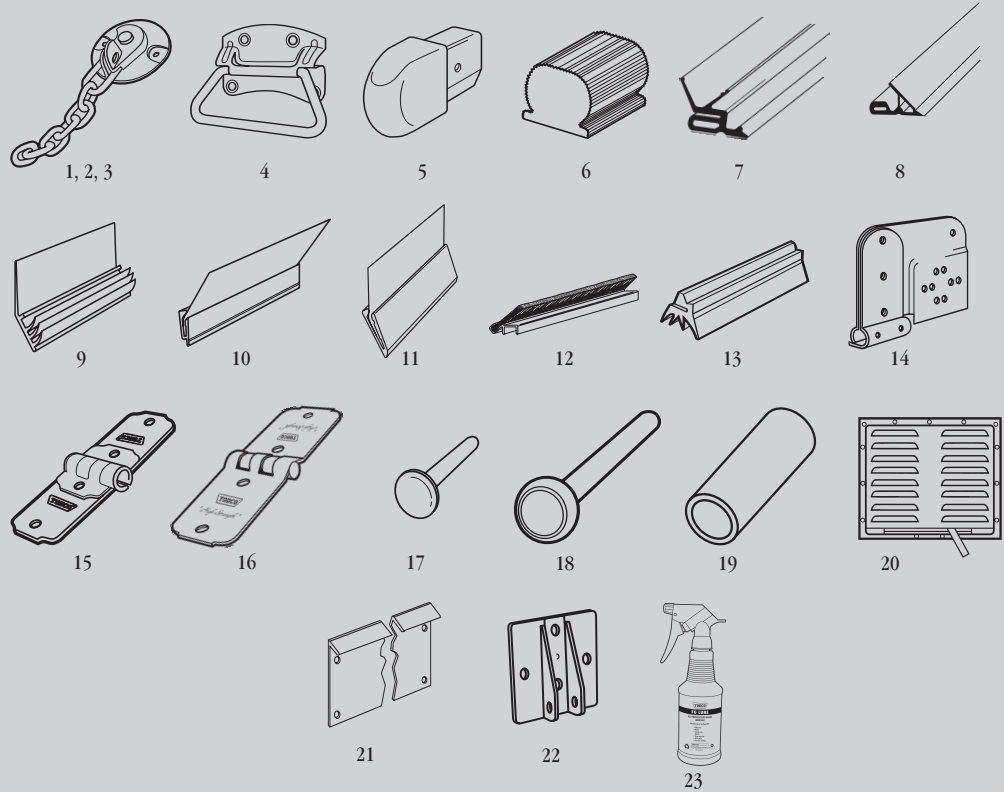
WEATHERTITE ACCESSORY PARTS

ORDERING INSTRUCTIONS

When ordering parts, be sure to include the part name and number and your door's SERIAL NUMBER. See metal tag attached to the inside upper right-hand corner of the door (standing inside unit facing the door).



Orders for replacement door panels should specify whether top, intermediate or bottom panel is required (panel width, height and thickness dimensions should be indicated).



For new orders and order inquiries:

call: (740) 383-6376

fax: 1-800-24-TODCO
(800-248-6326)



1332 Fairground Road East
Marion, Ohio 43302
(740) 383-6376

NOT JUST TOUGH...TODCO-TOUGH

www.todco.com

Item	Part No.	Description
1	61223	Back Plate - Safety Chain
2	61229	Safety Chain
3	69020	Safety Chain Lock Assembly
4	69325	Drop Lift Handle
5	69353	Head Protector (Yellow)
6	61398	Bumper Stop (Black)
7	70131	Side Seal - Dual Lip
8	69840	Side Seal - Extended Lip
9	70338	Side Seal Assembly - Push in (1/2" Track Spacing)
10	69922	Side Seal Assembly
11	70105	Side Seal Assembly Secondary
12	70232	Side Seal Assembly - 1" Brush
	70313	Side Seal Assembly - 1-1/2" Brush
13	89204	Bottom Seal - Heavy Duty (3/4" Door)
14	69964-1	Bottom Fixture Assembly H.D./L.H. (Curbside)
	69964-2	Bottom Fixture Assembly H.D./R.H. (Roadside)
15	70236	End Hinge - High Strength
	70435	End Hinge - Stainless Steel

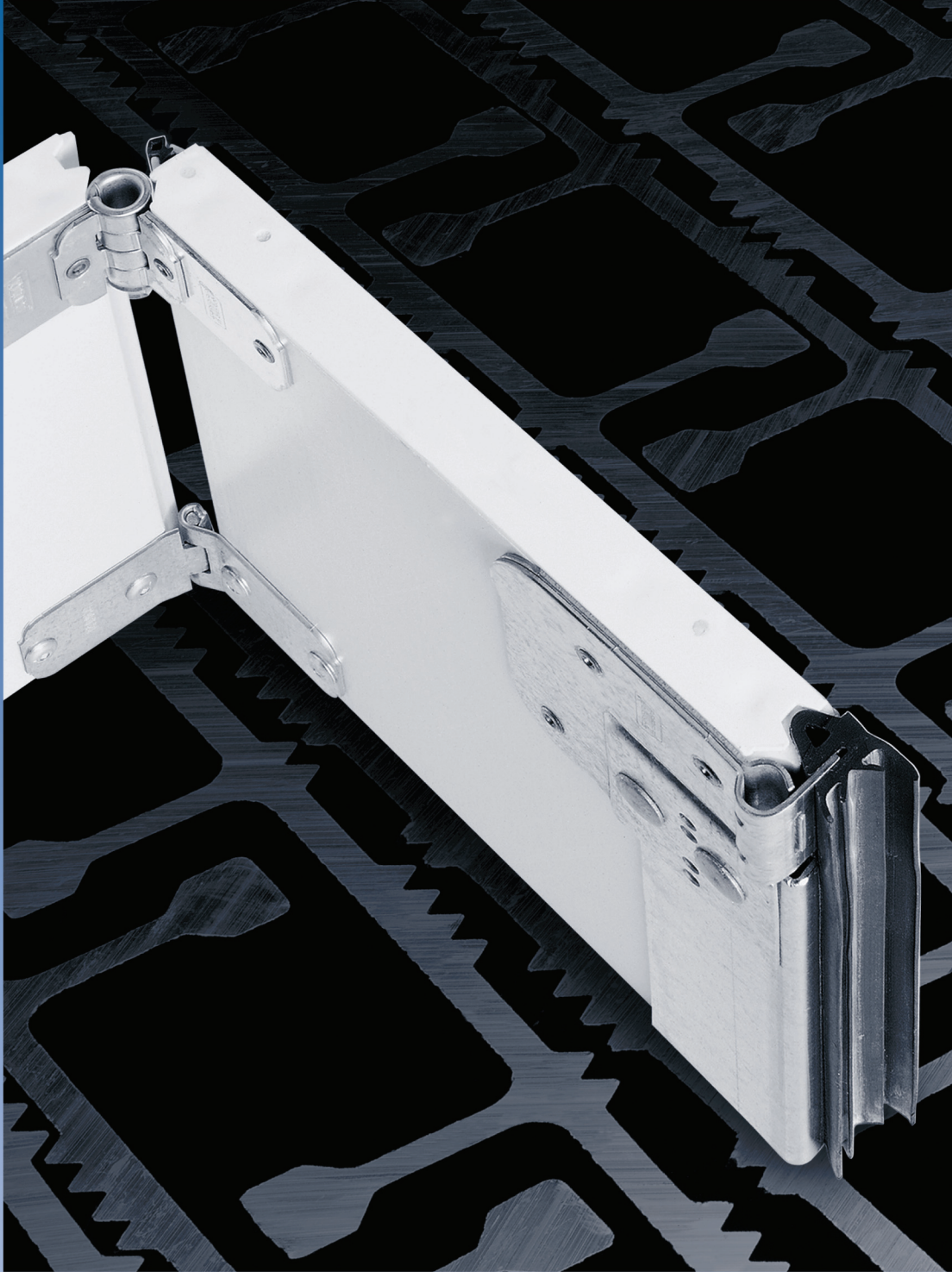
Item	Part No.	Description
16	70238	Center Hinge - High Strength
	70434	Center Hinge - Stainless Steel
17	89291-0032	Rivet - 1" Stainless Steel
	89291-0036	Rivet - 1-1/8" Stainless Steel
	89291-0040	Rivet - 1-1/4" Stainless Steel
	89291-0042	Rivet - 1-5/16" Stainless Steel
	89291-0044	Rivet - 1- 3/8" Stainless Steel
	89291-0048	Rivet - 1-1/2" Stainless Steel
18	69162	Roller - 1" Sealed
	70305	Roller - 1" Sealed (Precision Machined)
19	51078	Spring Silencer Boot
20	69085	Polar Vent - Aluminum
21	70306-0512	Forklift Plate - Aluminum (16" Long)
	70306-1152	Forklift Plate - Aluminum (36" Long)
22	59193	Heavy Duty Cable Anchor Bracket
23	39000-1012	TODCO FG Lube (case)

TODCO reserves the right to change product specifications at any time without notice.

08/11

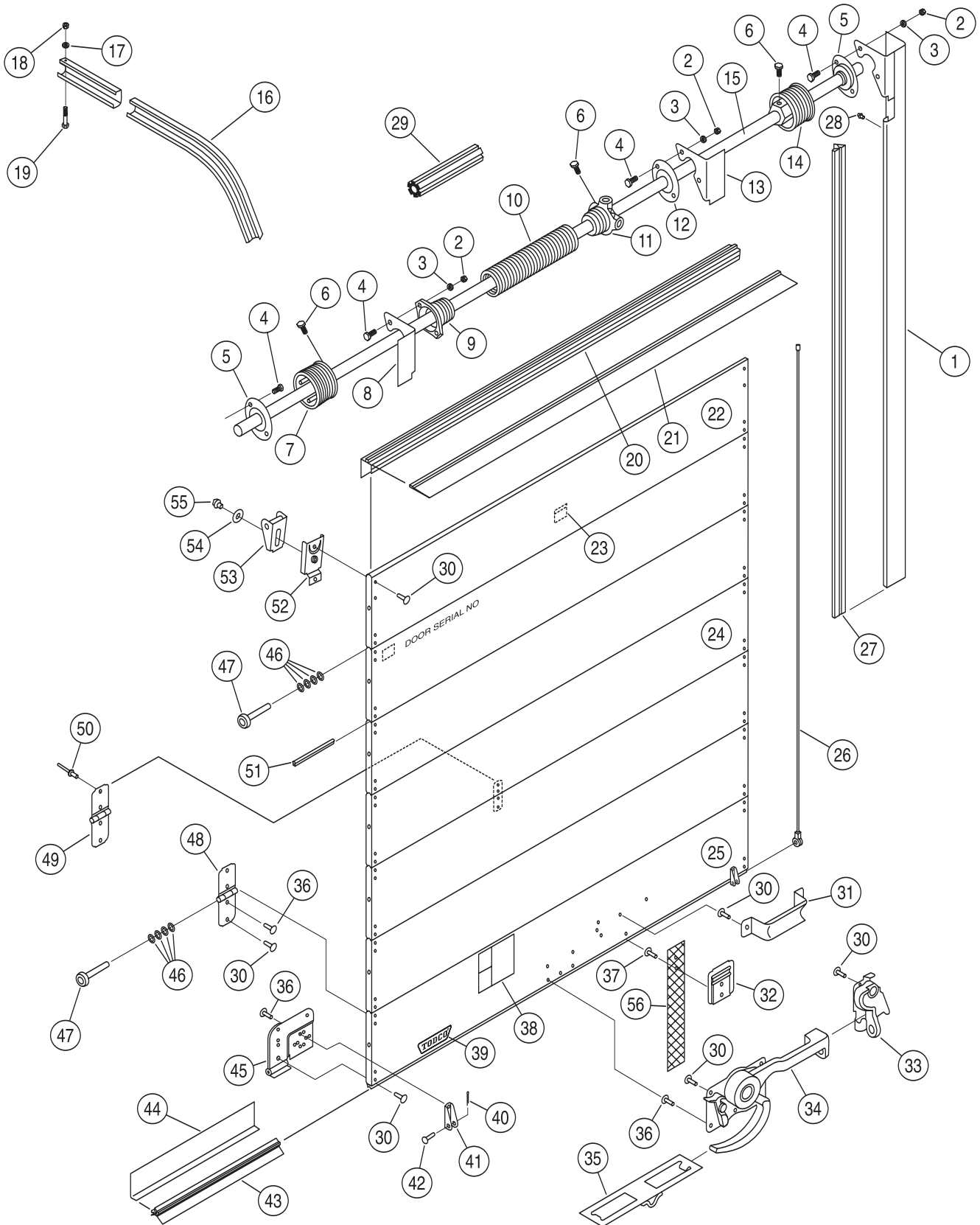
**1 1/8" POLARGUARD®
INSULATED FIBERGLASS DOOR**

PARTS





1 1/8" POLARGUARD®



STANDARD PARTS LIST

Item	Part No.	Description
1	49593-1	Vertical Track Assembly-L.H. (Curbside)
	49593-2	Vertical Track Assembly-R.H. (Roadside)
2	80352-518	Hex Nut - 5/16" NC
3	80322-319	Lock Washer - 5/16"
4	89186-3	Hex Head Bolt - 5/16" NC X 7/8"
5	51038	Bearing Assembly
6	80300-2414	Hex Head Set Screw 3/8" NC X 7/8"
7	59129-2	Cable Drum (Alum) - R.H. (Roadside) To 105" Dr. Hgt.
	59157-4	Cable Drum (Alum) - R.H. (Roadside) 105" To 120" Dr. Hgt.
8	51036-2	Spring Anchor Bracket
9	51043	Spring Anchor Plug 1-3/4" I.D. Spring
	59024	Spring Anchor Plug 2-1/2" I.D. Spring
10	51042*	Spring- 1-3/4" I.D.
	59031*	Spring- 2-1/2" I.D.
11	59158	Spring Winding Plug 1-3/4" I.D. Spring
	59159	Spring Winding Plug 2-1/2" I.D. Spring
12	59083	Bearing Assembly Support Bracket
13	51036-1	Support Bracket -L.H. - (Curbside)
14	59129-1	Cable Drum (Alum) - L.H. (Curbside) To 105" Door Hgt.
	59157-3	Cable Drum (Alum) - L.H. (Curbside) 105" To 120" Dr. Hgt.
15	59290	Counterbalance Shaft
16	49702-1	Horizontal Track - L.H. (Curbside)
	49702-2	Horizontal Track - R.H. (Roadside)
17	80322-255	Lock Washer - 1/4" NC
18	80352-420	Hex Nut - 1/4" NC
19	80105-414	Hex Head Bolt - 1/4" NC x 1-3/4"
20	70083	Top Cap
21	69718	Head Seal - Panel Mounted
22	29652	Top Panel w/ Top Cap (Specify panel H & W)
	70319	Warning Sticker - C/B
24	29650	Intermediate Panel - 11" (Specify Panel Length)
	29651	Intermediate Panel - 15" (Specify Panel Length)
25	29640**	Bottom Panel - 11" (With Hardware, No Lock)

Item	Part No.	Description
25 (cont'd.)	29641**	Bottom Panel - 15" (With Hardware, No Lock)
26	51044	Cable Assembly - 110" Long (To 100" Door Height)
	59004	Cable Assembly - 115" Long (100" To 105" Door Height)
30	59003	Cable Assembly - 130" Long (105" TO 120" Door Height)
	61390	Side Seal - Pair
28	89100-1	Dr. Rivet 3/16" Dia. X 9/32" Long
29	59092	Filler Plug - 2-1/2" I.D. Spring
30	89291-0044	Rivet - 1-3/8" Stainless Steel
	80015-0052	Step Bolt - 1/4" NC X 1-5/8" LG.
31	61401	Lift Handle
32	69832	Pull Strap Retainer
33	69572	Keeper Assembly
34	69571	Maximum Security Lock - Std.
	70223	Maximum Security Lock Assembly Offset Lever Arm
35	70093	Catch Box
36	89291-0048	Rivet 1-1/2" Stainless Steel
37	89291-0052	Rivet 1-5/8" Stainless Steel
38	70318	Warning Sticker - Safety Notice
39	69793	Name Plate
40	80401-316	Cotter Pin - 3/32" Dia.
41	61204	Cable Anchor Bracket
42	61026	Cable Anchor Pin
43	70084	Bottom Seal
44	69110	Bottom Angle
45	70082-2	Bottom Fixture - R.H. (Roadside)
	70082-1	Bottom Fixture - L.H. (Curbside)
46	80020	Space Washer - Roller
47	69162	Roller - Sealed
48	69035	End Hinge
49	61196	Center Hinge
50	89113-1	Blind Rivet-1/4" Dia. X 1/4" Grip
51	69989	Joint Seal
52	69432	Base - Adjustable Top Fixture
53	69431	Slide - Adjustable Top Fixture
54	80302-2436	Flatwasher - 3/8"
55	89049	E-LOK Bolt - 3/8" NC
56	80844-1408	Pull Strap - 30" Straight Standard - (44" LG.)

* See counterbalance instructions at the right.

** Includes bottom seal, bottom fixtures & bottom angle, drilled for lock. Does not include lock, pull strap, lift handle or cable anchor brackets.

Note: Add .05 to end of part number for e-coated part.

MAINTENANCE GUIDE

Lubricate with TODCO FG Lube all roller bearings and stems, (lubricate bottom roller stem through holes in bottom fixture), counterbalance bearings, center and end hinges, and moving lock parts.



Wipe dirt from tracks. Spray horizontal tracks with TODCO FG Lube or light oil (never grease). Spray counterbalance with TODCO FG Lube to prevent rusting. REFER TO SAFETY INSTRUCTIONS STICKER ON DOOR AND OWNER'S MANUAL FOR OPTIONS AND FOR OTHER IMPORTANT SAFETY AND MAINTENANCE ITEMS.



COUNTERBALANCE ASSEMBLIES

Every TODCO counterbalance assembly has been manufactured to meet a custom door specification. TO HELP ENSURE THAT YOU RECEIVE THE CORRECT REPLACEMENT PART OR ASSEMBLY, PLEASE PROVIDE THE DOOR SERIAL NUMBER. This can be found on the metal tag attached to the inside upper right-hand corner of the door.

If the serial number is unavailable, we must have the following information:

- 1) Inside diameter (I.D.) of the torsion spring.
- 2) Length of the torsion spring.
- 3) Number of coils within 10 inches of the torsion spring.
- 4) Length of the shaft.
- 5) Part number on each of the two (2) cable drums.



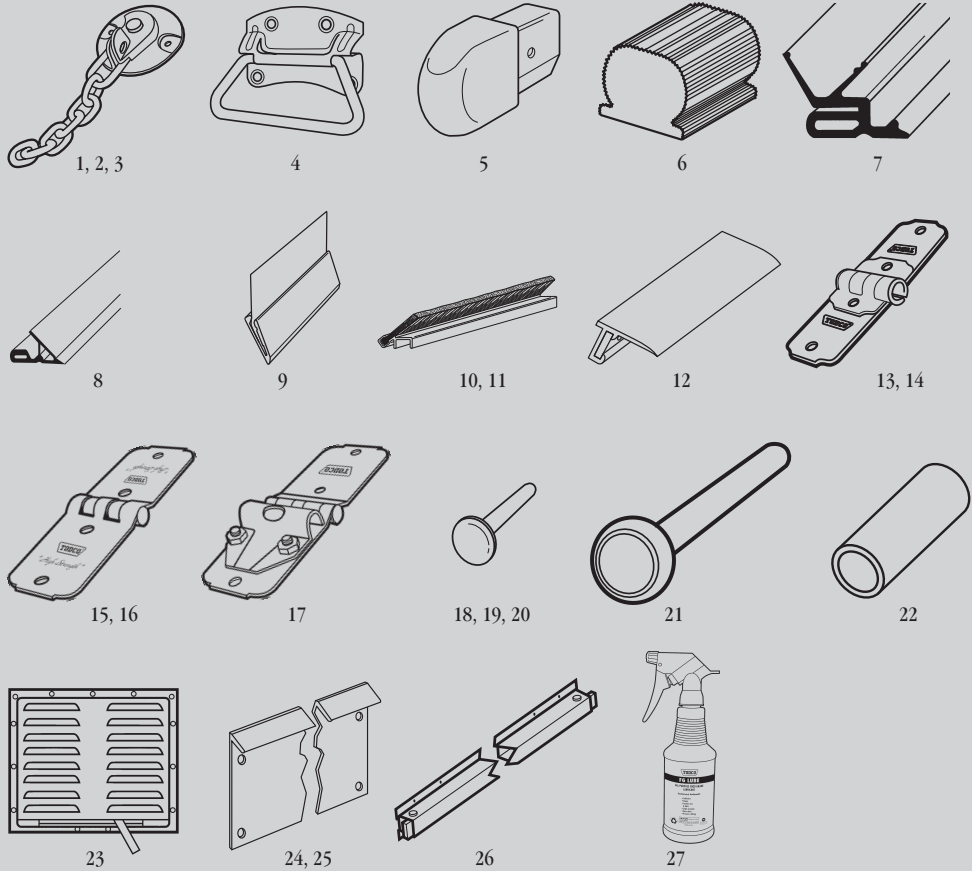
1 1/8" POLARGUARD® ACCESSORY PARTS

ORDERING INSTRUCTIONS

When ordering parts, be sure to include the part name and number and your door's SERIAL NUMBER. See metal tag attached to the inside upper right-hand corner of the door (standing inside unit facing the door).



Orders for replacement door panels should specify whether top, intermediate or bottom panel is required (if intermediate panel, indicate panel height).



For new orders and order For new orders and order inquiries:

call: (740) 383-6376

fax: 1-800-24-TODCO
(800-248-6326)



1332 Fairground Road East
Marion, Ohio 43302
(740) 383-6376

NOT JUST TOUGH...TODCO-TOUGH

www.todco.com

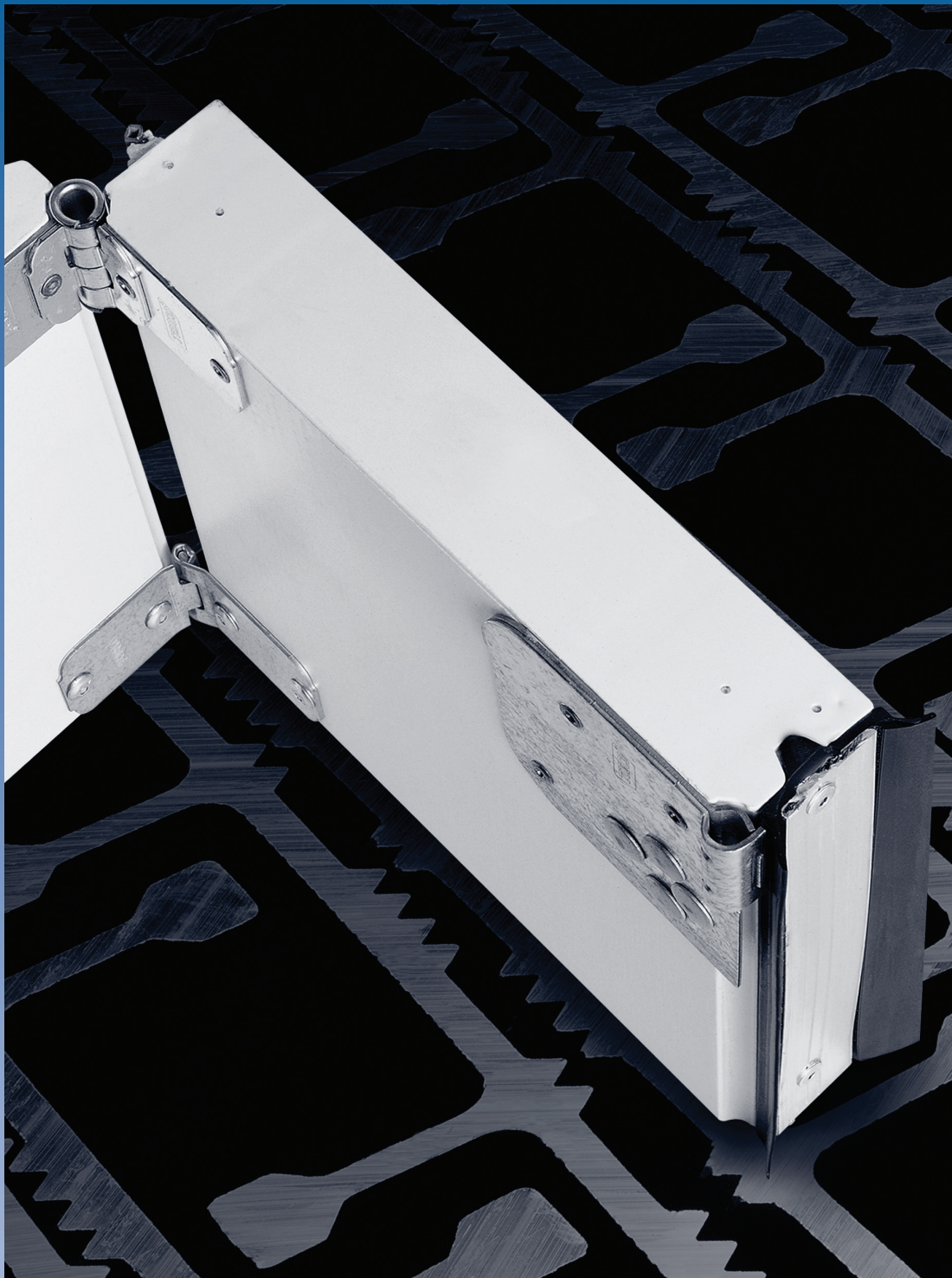
Item	Part No.	Description	Item	Part No.	Description
1	61223	Back Plate-Safety Chain	16	61196.0000.38	Center Hinge - EverWare
2	61229	Safety Chain	17	70311	End Hinge
3	69020	Safety Chain Lock Assembly	18	89291-0052	Removable Roller Rivet - 1-5/8" Stainless Steel
4	69325	Drop Lift Handle	19	89291-0044	Rivet - 1-3/8" Stainless Steel
5	69353	Head Protector (Yellow)	20	89291-0048	Rivet - 1-1/2" Stainless Steel
6	61398	Bumper Stop (Black)	21	70305	Roller - 1" Sealed (Precision Machined)
7	70131	Side Seal-Dual Lip	22	51078	Spring Silencer Boot
8	69840	Side Seal-Extended Lip	23	69085	Polar Vent-Aluminum
9	70105	Side Seal Assembly - Secondary	24	70306-0512	Forklift Plate-Aluminum (16" Long)
10	70232	Side Seal Assembly 1" Brush	25	70306-1152	Forklift Plate-Aluminum (36" Long)
11	70313	Side Seal Assembly 1-1/2" Brush	26	39582-1	Load Bar
12	69770	Head Seal Assembly (Header Mounted)	27	39000-1012	TODCO FG Lube (case)
13	70236	End Hinge-High Strength			
14	69035.0000.38	End Hinge - EverWare			
15	70238	Ctr. Hinge-High Strength			

TODCO reserves the right to change product specifications at any time without notice.

01/14

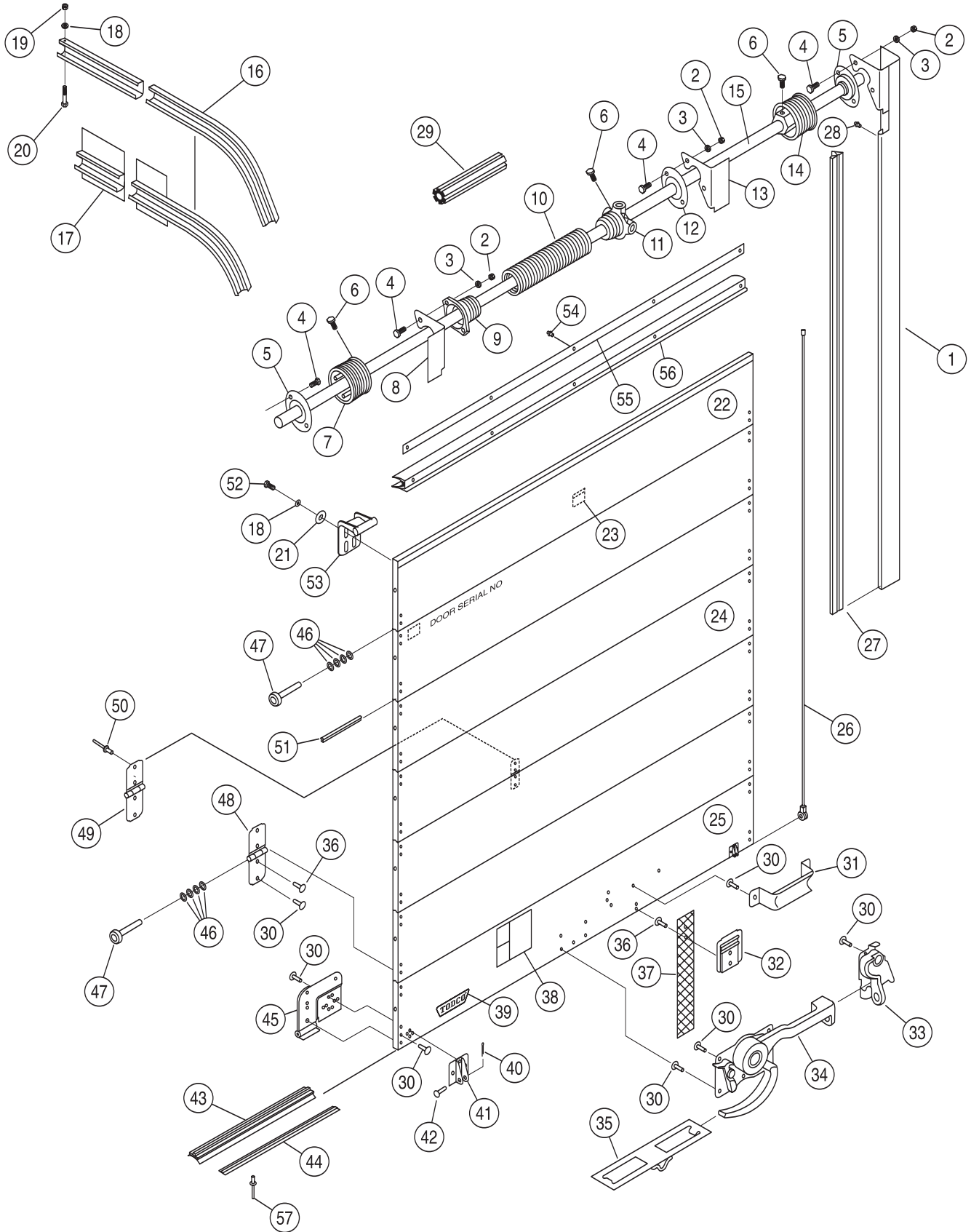
**2½" POLARGUARD®
INSULATED FIBERGLASS DOOR**

PARTS





2 1/2" POLARGUARD®



STANDARD PARTS LIST

Item	Part No.	Description
1	49312-1	Vertical Track Assembly L.H. (Curbside)
	49312-2	Vertical Track Assembly R.H. (Roadside)
2	80352-518	Hex Nut - 5/16" NC
3	80322-319	Lock Washer - 5/16"
4	89186-3	Hex Head Bolt - 5/16" NC X 7/8"
5	51038	Bearing Assembly
6	80300-2414	Hex Head Set Screw 3/8" NC X 7/8"
7	59129-2	Cable Drum (Alum) - R.H. (Roadside) To 105" Door Hgt.
	59157-4	Cable Drum (Alum) - R.H. (Roadside) 105" To 120" Dr. Hgt.
8	51036-2	Spring Anchor Bracket
9	51043	Spring Anchor Plug 1-3/4" I.D. Spring
	59024	Spring Anchor Plug 2-1/2" I.D. Spring
10	51042*	Spring - 1-3/4" I.D.
	59031*	Spring - 2-1/2" I.D.
11	59158	Spring Winding Plug 1-3/4" I.D. Spring
	59159	Spring Winding Plug 2-1/2" I.D. Spring
12	59083	Bearing Assembly Support Bracket
13	51036-1	Support Bracket L.H. (Curbside)
14	59129-1	Cable Drum (Alum) - L.H. (Curbside) To 105" Dr. Hgt.
	59157-3	Cable Drum (Alum) - L.H. (Curbside) 105" To 120" Dr. Hgt.
15	59290	Counterbalance Shaft
16	49702-1	Horizontal Track - Upper L.H. (Curbside)
	49702-2	Horizontal Track - Upper R.H. (Roadside)
17	49101-1	Horizontal Track Lower L.H. (Curbside)
	49101-2	Horizontal Track Lower R.H. (Roadside)
18	80322-255	Lock Washer - 1/4" NC
19	80352-420	Hex Nut - 1/4" NC
20	80105-414	Hex Head Bolt - 1/4" NC X 1-3/4"
21	80302-1720	Flatwasher - 1/4" Diameter
22	29558	Top Panel w/ Top Cap (Specify panel Height & Width)
23	70319	Warning Sticker - C/B
24	29556	Intermediate Panel - 12" (Specify Panel Length)
	29557	Intermediate Panel - 15" (Specify Panel Length)

Item	Part No.	Description
25	29575-12**	Bottom Panel - 12" (With Hardware, No Lock)
	29575-15**	Bottom Panel - 15" (With Hardware, No Lock)
26	51044	Cable Assembly - 110" Long (To 100" Door Height)
	59004	Cable Assembly - 115" Long (100" To 105" Door Height)
	59003	Cable Assembly - 130" Long (105" TO 120" Door Height)
27	61390	Side Seal - Pair
28	89100-1	Drive Rivet - 3/16" Dia. X 9/32" LG.
29	59092	Filler Plug - 2-1/2" I.D. Spring
30	89291-0090 80015-0096	Rivet - 2-13/16" Stainless Steel Step Bolt - 1/4" NC X 3" LG.
31	61401	Lift Handle
32	69832	Pull Strap Retainer
33	69572	Keeper Assembly
34	69571	Maximum Security Lock Assembly - Standard
	70223	Maximum Security Lock Assembly - Offset Lever Arm
35	70093	Catch Box
36	89291-0092	Rivet - 2 -7/8" Stainless Steel
37	80844-1408	Pull Strap - 30" Straight Standard - (44" LG.)
38	70318	Warning Sticker - Safety Notice
39	69793	Name Plate
40	80401-316	Cotter Pin - 3/32" Diameter
41	59193	Cable Anchor Bracket
42	61026	Cable Anchor Pin
43	69987	Bottom Seal
44	69988	Bottom Seal Retainer
45	69986-2	Bottom Fixture - R.H. (Roadside)
45	69986-1	Bottom Fixture - L.H. (Curbside)
46	80020	Space Washer-Roller
47	69162	Roller - Sealed
48	69035	End Hinge
49	61196	Center Hinge
50	89113-1	Blind Rivet - 1/4" Dia. X 1/4" Grip
51	69989	Joint Seal
52	80105-408	Hex Head Bolt - 1/4" NC X 1"
53	69265	Top Fixture
54	89100-2	Drive Rivet - 3/16" Dia. X 15/32" LG.
55	61403	Retainer-Head Seal
56	70135	Head Seal
57	89271-1	Blind Rivet - 1/4" Dia X 1" Grip

* See counterbalance instructions at the right.

** Includes bottom seal, bottom fixtures & bottom angle, drilled for lock. Does not include lock, pull strap, lift handle or cable anchor brackets.

Note: Add .05 to end of part number for e-coated part.

MAINTENANCE GUIDE

Lubricate with TODCO FG Lube all roller bearings and stems, (lubricate bottom roller stem through holes in bottom fixture), counterbalance bearings, center



and end hinges, and moving lock parts.

Wipe dirt from tracks.

Spray horizontal tracks with TODCO FG Lube or light oil (never grease).

Spray counterbalance with TODCO FG Lube to

prevent rusting. REFER TO SAFETY INSTRUCTIONS STICKER ON DOOR AND OWNER'S MANUAL FOR OPTIONS AND FOR OTHER IMPORTANT SAFETY AND MAINTENANCE ITEMS.



COUNTERBALANCE ASSEMBLIES

Every TODCO counterbalance assembly has been manufactured to meet a custom door specification. TO HELP ENSURE THAT YOU RECEIVE THE CORRECT REPLACEMENT PART OR ASSEMBLY, PLEASE PROVIDE THE DOOR SERIAL NUMBER. This can be found on the metal tag attached to the inside upper right-hand corner of the door.

If the serial number is unavailable, we must have the following information:

- 1) Inside diameter (I.D.) of the torsion spring.
- 2) Length of the torsion spring.
- 3) Number of coils within 10 inches of the torsion spring.
- 4) Length of the shaft.
- 5) Part number on each of the two (2) cable drums.



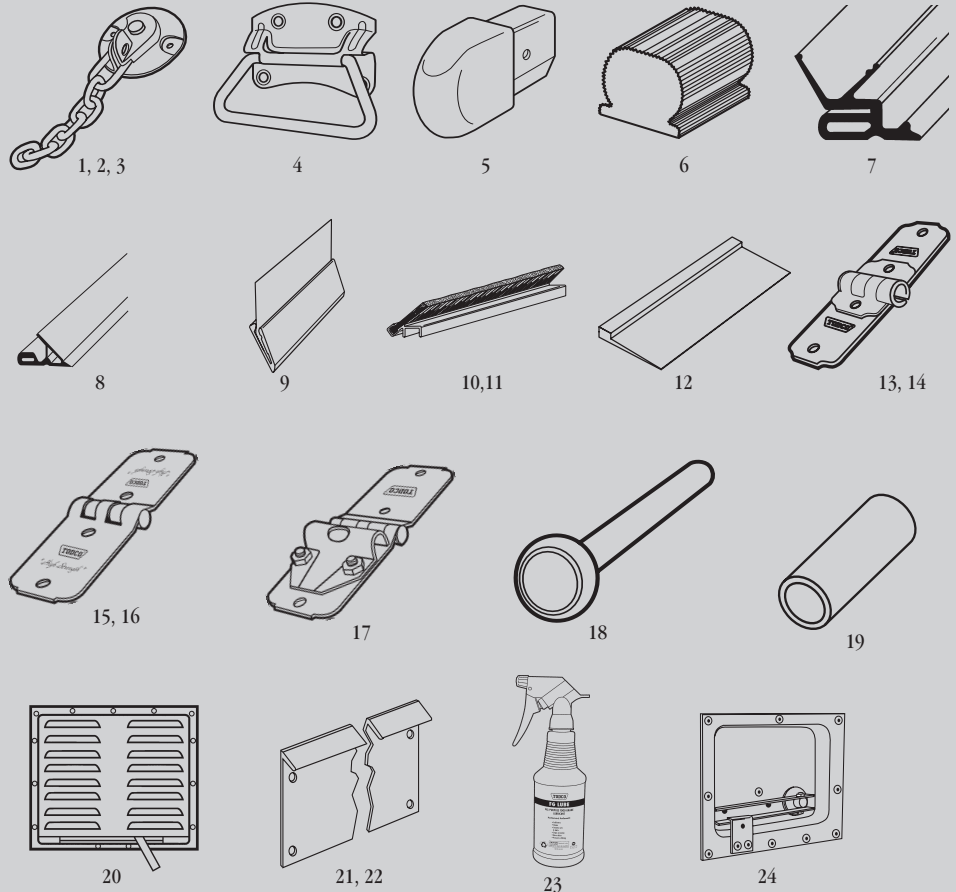
2 1/2" POLARGUARD® ACCESSORY PARTS

ORDERING INSTRUCTIONS

When ordering parts, be sure to include the part name and number and your door's SERIAL NUMBER. See metal tag attached to the inside upper right-hand corner of the door (standing inside unit facing the door).



Orders for replacement door panels should specify whether top, intermediate or bottom panel is required (if intermediate panel, indicate panel height).



For new orders and order inquiries:

call: (740) 383-6376

fax: 1-800-24-TODCO
(800-248-6326)



1332 Fairground Road East
Marion, Ohio 43302
(740) 383-6376

NOT JUST TOUGH...TODCO-TOUGH

www.todco.com

Item	Part No.	Description	Item	Part No.	Description
1	61223	Back Plate - Safety Chain	14	70435	End Hinge - Stainless Steel
2	61229	Safety Chain	15	70238	Center Hinge - High Strength
3	69020	Safety Chain Lock Assembly	16	70434	Center Hinge - Stainless Steel
4	69325	Drop Lift Handle	17	70311	End Hinge
5	69353	Head Protector (Yellow)	18	70305	Removable Roller Roller - 1" Sealed (Precision Machined)
6	61398	Bumper Stop (Black)	19	51078	Spring Silencer Boot
7	70131	Side Seal - Dual Lip	20	69085	Polar Vent - Aluminum
8	69840	Side Seal - Extended Lip	21	70306-0512	Forklift Plate - Aluminum (16" Long)
9	70105	Side Seal Assembly Secondary	22	70306-1152	Forklift Plate - Aluminum (36" Long)
10	70232	Side Seal Assembly 1" Brush	23	39000-1012	TODCO FG Lube (case)
11	70313	Side Seal Assembly 1-1/2" Brush	24	69806	LifeGuard Security Lock Assembly
12	69718	Head Seal (Panel Mounted)			
13	70236	End Hinge - High Strength			

TODCO reserves the right to change product specifications at any time without notice.

ARMORPLATE™ DOOR

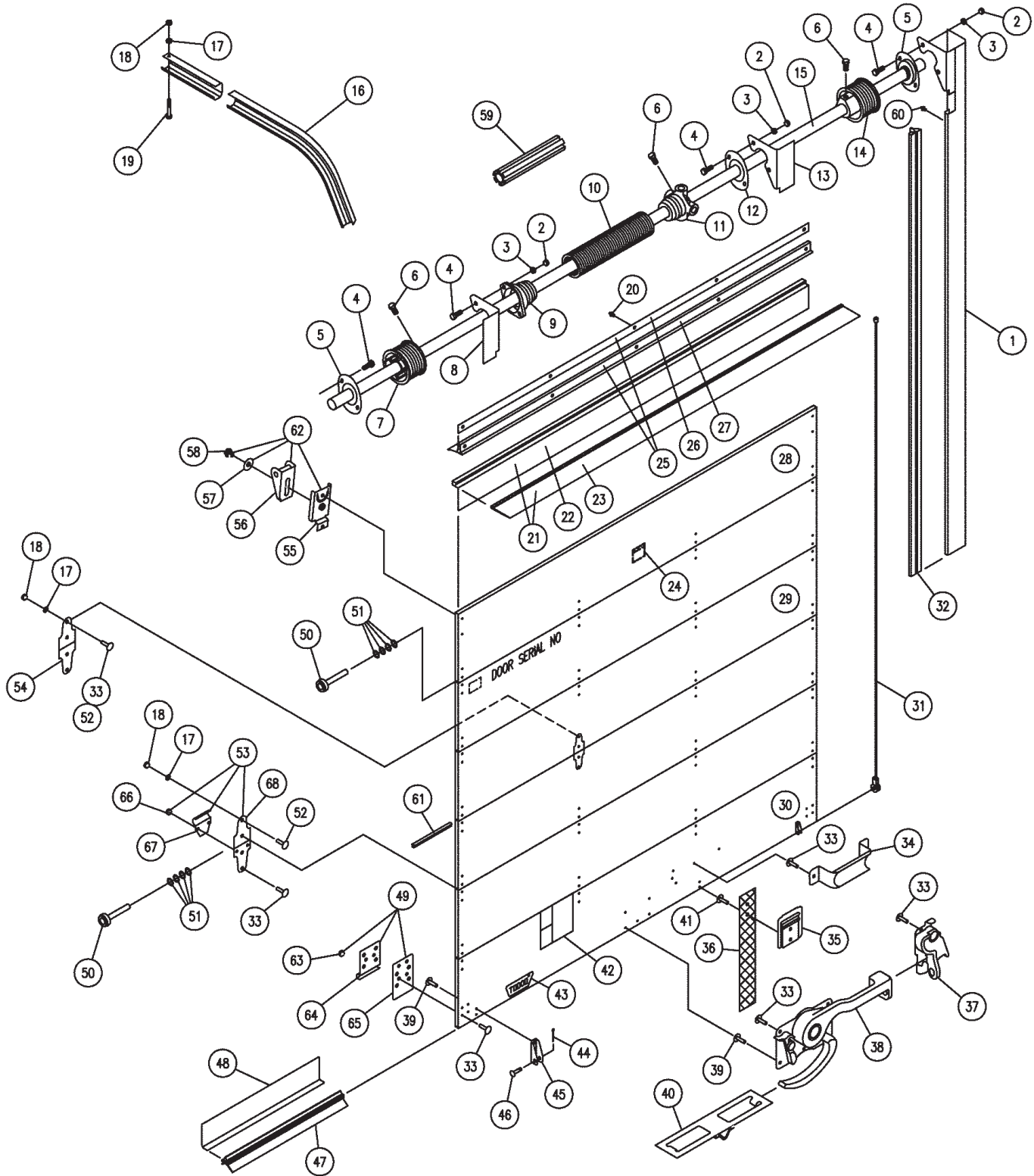
PARTS



TODCO®



ARMORPLATE™ DOOR



STANDARD PARTS LIST

Item	Part No.	Description
1	49014-1	Vertical Track Assembly - L.H. (Curbside)
	49014-2	Vertical Track Assembly - R.H. (Roadside)
2	80352-518	Hex Nut - 5/16" NC
3	80322-319	Lock Washer - 5/16"
4	89186-3	Hex Head Bolt - 5/16" NC x 7/8"
5	51038	Bearing Assembly
6	80300-2414	Hex Head Set Screw - 3/8" NC x 7/8"
7	59129-2	Cable Drum - R.H. (Roadside) to 105" Door Height
	59157-4	Cable Drum - R.H. (Roadside) 105" to 120" Door Height
	51036-2	Spring Anchor Bracket
9	51043	Spring Anchor Plug 1-3/4" I.D. Spring
	59024	Spring Anchor Plug 2-1/2" I.D. Spring
10	51042*	Spring - 1-3/4" I.D.
	59031*	Spring - 2-1/2" I.D.
11	59158	Spring Winding Plug 1-3/4" I.D. Spring
	59159	Spring Winding Plug 2-1/2" I.D. Spring
12	59083	Bearing Assembly - Support Bracket
13	51036-1	Support Bracket - L.H. (Curbside)
14	59129-1	Cable Drum - L.H. (Curbside) to 105" Door Height
	59157-3	Cable Drum - L.H. (Curbside) 105" to 120" Door Height
	59290	Counterbalance Shaft
15	49702-1	Horizontal Track - L.H. (Curbside)
16	49702-2	Horizontal Track - R.H. (Roadside)
17	80322-255	Lock Washer - 1/4" NC
18	80352-420	Hex Nut - 1/4" NC
19	80105-414	Hex Head Bolt - 1/4" NC x 1-3/4"
20	89100-2	Drive Rivet 3/16" Dia. X 15/32" LG.
21	70001	Head Seal Assembly (Panel Mounted)
22	69790	Retainer - Head Seal (Panel Mounted)
23	69718	Head Seal (Panel Mounted)
24	70319	Warning Sticker - Counterbalance
25	69770	Head Seal Assembly (Header Mounted)
26	61403	Retainer - Head Seal (Header Mounted)
27	61402	Head Seal (Header Mounted)
28	29929.1**	Top Panel - Armorplate
29	29929.2**	Intermediate Panel - Armorplate
30	29929.3**	Bottom Panel - Armorplate

Item	Part No.	Description
31	51044	Cable Assembly - 110" LG. - to 100" Door Height
	59004	Cable Assembly - 115" LG. 100" to 105" Door Height
32	59003	Cable Assembly - 130" LG. 105" to 120" Door Height
	61390	Side Seal - Pair
33	89210-0023	Rivet - 23/32" LG.
34	61401	Lift Handle
35	69832	Pull Strap Retainer
36	80844-1408	Pull Strap - 30" Straight Standard (44" LG.)
37	69572	Keeper Assembly
38	69571	Maximum Security Lock Assembly - Standard
	70223	Maximum Security Lock Assembly - Offset Lever Arm
39	89210-0026	Rivet - 13/16" LG.
40	70093	Catch Box
41	89210-0032	Rivet - 1" LG.
42	70318	Warning Sticker - Safety Notice
43	69793	Name Plate
44	80401-316	Cotter Pin - 3/32" Dia.
45	61204	Cable Anchor Bracket
46	61026	Cable Anchor Pin
47	70497	Bottom Seal
48	70498	Bottom Angle
49	70493	Bottom Fixture - Complete
50	61174	Roller
51	80020	Spacer Washer-Roller
52	80015-0032	Step Bolt - 1/4" NC x 1"
53	70162	End Hinge Assembly - Flush Mount
54	70159	Center Hinge
55	69432	Base - Adjustable Top Fixture
56	69431	Slide - Adjustable Top Fixture
57	80302-2436	Flat washer - 3/8"
58	89049	E-Lok Bolt - 3/8" NC
59	59092	Filler Plug - 2-1/2" I.D. Spring
60	89100-1	Drive Rivet - 3/16" Dia. x 9/32" LG.
61	70496	Panel Tongue Insert
62	69433	Adjustable Top Fixture - Complete
63	89231-3	5/16-18 Hex Nut
64	70492	Bottom Fixture Roller Cover
65	70491	Bottom Fixture Base
66	89231-2	1/4-20 Hex Nut
67	70161	Roller Hinge Cover - Flush Mount
68	70160	End Hinge Assembly - Flush Mount

* Give spring length and number of coils in 10" of spring length.

** Includes bottom seal, bottom fixtures & bottom angle, drilled for lock. Does not include lock, pull strap, cable anchors or lift handle.

MAINTENANCE GUIDE

Lubricate with TODCO FG Lube all roller bearings and stems, (lubricate bottom roller stem through holes in bottom fixture), counterbalance bearings, center



and end hinges, and moving lock parts.

Wipe dirt from tracks.

Spray horizontal tracks with TODCO FG Lube or light oil (never grease).

Spray counterbalance with TODCO FG Lube to

prevent rusting. REFER TO SAFETY INSTRUCTIONS STICKER ON DOOR AND OWNER'S MANUAL FOR OPTIONS AND FOR OTHER IMPORTANT SAFETY AND MAINTENANCE ITEMS.



COUNTERBALANCE ASSEMBLIES

Every TODCO counterbalance assembly has been manufactured to meet a custom door specification. TO HELP ENSURE THAT YOU RECEIVE THE CORRECT REPLACEMENT PART OR ASSEMBLY, PLEASE PROVIDE THE DOOR SERIAL NUMBER. This can be found on the metal tag attached to the inside upper right-hand corner of the door.

If the serial number is unavailable, we must have the following information:

- 1) Inside diameter (I.D.) of the torsion spring.
- 2) Length of the torsion spring.
- 3) Number of coils within 10 inches of the torsion spring.
- 4) Length of the shaft.
- 5) Part number on each of the two (2) cable drums.



ARMORPLATE™ ACCESSORY PARTS

ORDERING INSTRUCTIONS

When ordering parts, be sure to include the part name and number and your door's SERIAL NUMBER. See metal tag attached to the inside upper right-hand corner of the door (standing inside unit facing the door).

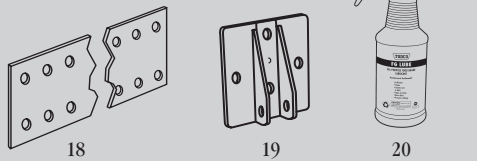
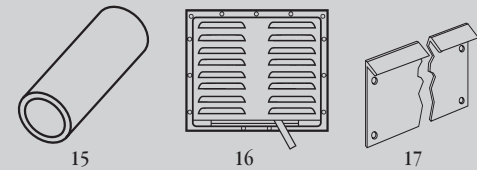
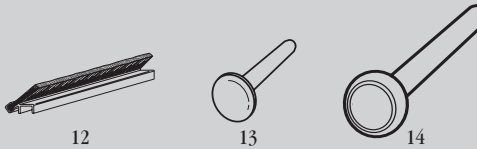
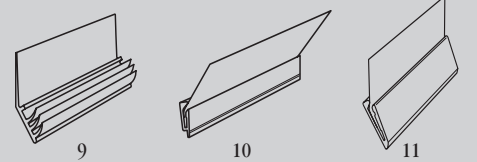
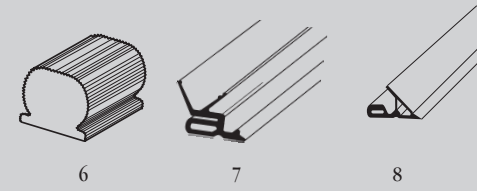
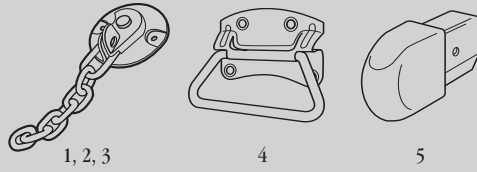


Orders for replacement door panels should specify whether top, intermediate or bottom panel is required (panel width, height and thickness dimensions should be indicated).

For new orders and order inquiries:

call: (740) 383-6376

fax: 1-800-24-TODCO
(800-248-6326)



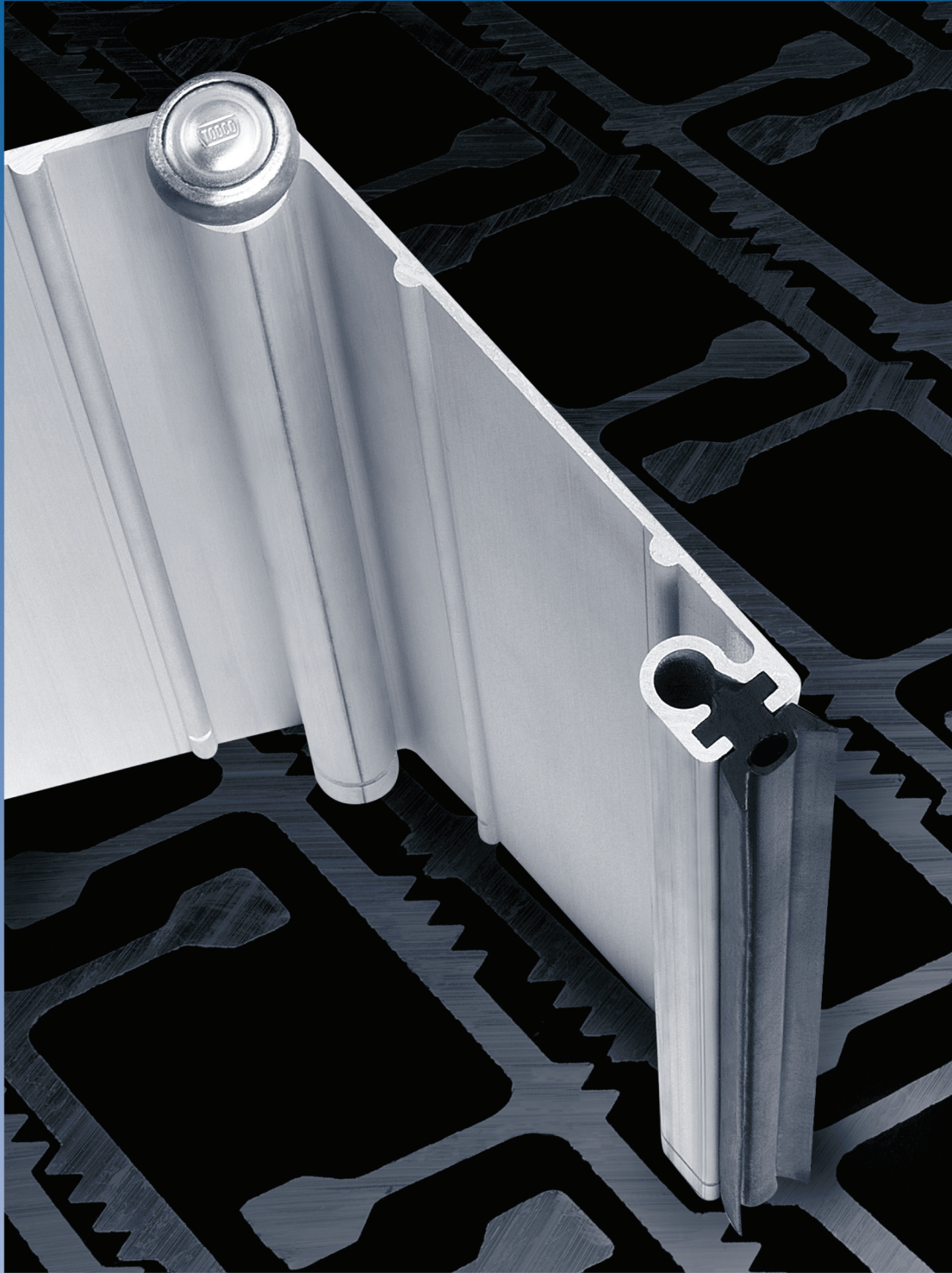
Item	Part No.	Description
1	61223	Back Plate - Safety Chain
2	61229	Safety Chain
3	69020	Safety Chain Lock Assembly
4	69325	Drop Lift Handle
5	69353	Head Protector (Yellow)
6	61398	Bumper Stop (Black)
7	70131	Side Seal - Dual Lip
8	69840	Side Seal - Extended Lip
9	70338	Side Seal Assembly - Push in (1/2" Track Spacing)
10	69922	Side Seal Assembly
11	70105	Side Seal Assembly Secondary
12	70232	Side Seal Assembly - 1" Brush
	70313	Side Seal Assembly - 1-1/2" Brush
13	89291-0032	Rivet - 1" Stainless Steel
	89291-0036	Rivet - 1-1/8" Stainless Steel
	89291-0040	Rivet - 1-1/4" Stainless Steel
	89291-0042	Rivet - 1-5/16" Stainless Steel
	89291-0044	Rivet - 1-3/8" Stainless Steel
	89291-0048	Rivet - 1-1/2" Stainless Steel
14	69162	Roller - 1" Sealed
	70305	Roller - 1" Sealed (Precision Machined)
15	51078	Spring Silencer Boot
16	69085	Polar Vent - Aluminum
17	70306-0512	Forklift Plate - Aluminum (16" Long)
	70306-1152	Forklift Plate - Aluminum (36" Long)
18	69111	Reinforcement Strap
19	59193	Heavy Duty Cable Anchor Bracket
20	3900-1013FG	TODCO FG Lube (case of 12)

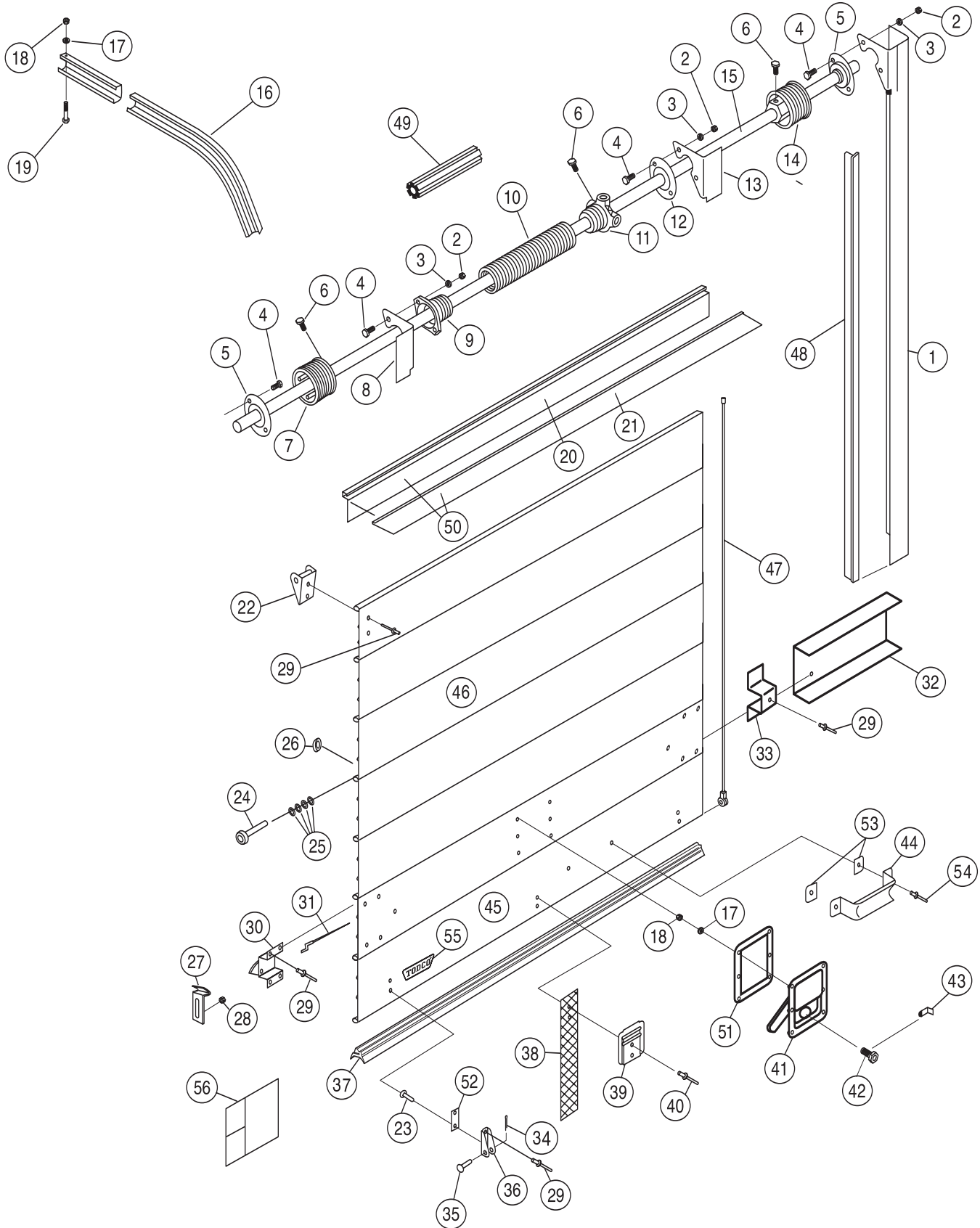


NOT JUST TOUGH...TODCO-TOUGH.

CITYCARGO™
SINGLE-WALL ALUMINUM DOOR

PARTS





STANDARD PARTS LIST

Item	Part No.	Description
1	49852-1	Vertical Track Assembly – L.H. (Curbside)
	49852-2	Vertical Track Assembly – R.H. (Roadside)
2	80352-518	Hex Nut – 5/16" NC
3	80322-319	Lock Washer – 5/16"
4	89186-3	Hex Head Bolt – 5/16" NC X 7/8"
5	51038	Bearing Assembly
6	80300-2414	Hex Head Set Screw – 3/8" NC X 7/8"
7	59129-2	Cable Drum – R.H. (Roadside) To 105" Door Height
	59157-4	Cable Drum – R.H. (Roadside) 105" To 120" Door Height
8	51036-2	Spring Anchor Bracket
9	51043	Spring Anchor Plug – 1-3/4" I.D. Spring
	59024	Spring Anchor Plug – 2-1/2" I.D. Spring
10	51042*	Spring – 1-3/4" I.D.
	59031*	Spring – 2-1/2" I.D.
11	59158	Spring Winding Plug – 1-3/4" I.D. Spring
	59159	Spring Winding Plug – 2-1/2" I.D. Spring
12	59083	Bearing Assembly – Support Bracket
13	51036-1	Support Bracket – L.H. (Curbside)
14	59129-1	Cable Drum – L.H. (Curbside) To 105" Door Height
	59157-3	Cable Drum – L.H. (Curbside) 105" To 120" Door Height
15	59290	Counterbalance Shaft
16	49702-1	Horizontal Track – L.H. (Curbside)
	49702-2	Horizontal Track – R.H. (Roadside)
17	80322-255	Lock Washer – 1/4" NC
18	80352-420	Hex Nut – 1/4" NC
19	80105-414	Hex Head Bolt – 1/4" NC X 1-3/4"
20	70288	Retainer – Head Seal (Panel Mounted)
21	69718	Head Seal (Panel Mounted)
22	61355	Top Fixture
23	69409-2	Rivet – 1/4" X 3/8" LG.
24	61174	Roller
25	80020	Spacer Washer – Roller
26	80302-3030	Washer – Panel Lock – 15/32" ID X 15/16" OD
27	69951	Lock Catch

Item	Part No.	Description
28	89155	Flange Nut – 5/16" NC
29	89232-0000	Blind Rivet – 1/4" DIA. X .126/.250" Grip Range
30	39550-1	Latch Assembly – Left Hand
	39550-2	Latch Assembly – Right Hand
31	39545	Cable Assembly – 2-Point Lock
32	39513	Lock Cover
33	39570	Lock Cover Bracket
34	80401-316	Cotter Pin – 3/32" DIA.
35	61026	Cable Anchor Pin
36	61204	Cable Anchor Bracket
37	69242	Bottom Seal
38	80844-1408	Pull Strap – 30" Straight Standard (44" LG.)
39	69832	Pull Strap Retainer
40	89299-2000	Pop Rivet – 1/4" DIA. X .376/.500" Grip Range
41	70275	Paddle Handle Lock
42	69799	Lock Cylinder – Less CAM
43	70291	CAM – Lock Cylinder
44	61401	Lift Handle
45	39323**	Bottom Panel
46	39324	Intermediate Panel – 5-1/2" Height
	39325	Intermediate Panel – 6-1/2" Height
47	51044	Cable Assembly – 110" LG. – To 100" Door Height
	59004	Cable Assembly – 115" LG. – 100" To 105" Door Height
	59003	Cable Assembly – 130" LG. – 105" To 120" Door Height
48	69922	Side Seal – Pair
49	59092	Filler Plug – 2-1/2" I.D. Spring
50	70289	Head Seal Assembly (Panel Mounted)
51	70179	Seal – Paddle Handle Lock
52	70249	Seal – Cable Anchor Bracket
53	70251	Seal – Lift Handle
54	89232-1000	Blind Rivet – 1/4" DIA. X .251/.375" Grip Range
55	69793	Nameplate
56	70318	Safety Notice Warning Sticker

* Give spring length and number of coils in 10" of spring length.

** Bottom panel includes bottom seal and cable anchor brackets. When ordering parts, be sure to give door serial number, part number, and description. Door serial number can be found on a metal tag attached to the inside of door. Left hand and right hand determined by standing inside looking out.

MAINTENANCE GUIDE

Lubricate with TODCO FG Lube all roller bearings and stems, (lubricate bottom roller stem through holes in bottom fixture), counterbalance bearings, center



and end hinges, and moving lock parts. Wipe dirt from tracks. Spray horizontal tracks with TODCO FG Lube or light oil (never grease). Spray counterbalance with TODCO FG Lube to

prevent rusting. REFER TO SAFETY INSTRUCTIONS STICKER ON DOOR AND OWNER'S MANUAL FOR OPTIONS AND FOR OTHER IMPORTANT SAFETY AND MAINTENANCE ITEMS.



COUNTERBALANCE ASSEMBLIES

Every TODCO counterbalance assembly has been manufactured to meet a custom door specification. TO HELP ENSURE THAT YOU RECEIVE THE CORRECT REPLACEMENT PART OR ASSEMBLY, PLEASE PROVIDE THE DOOR SERIAL NUMBER. This can be found on the metal tag attached to the inside of the door.

If the serial number is unavailable, we must have the following information:

- 1) Inside diameter (I.D.) of the torsion spring.
- 2) Length of the torsion spring.
- 3) Number of coils within 10 inches of the torsion spring.
- 4) Length of the shaft.
- 5) Part number on each of the two (2) cable drums.



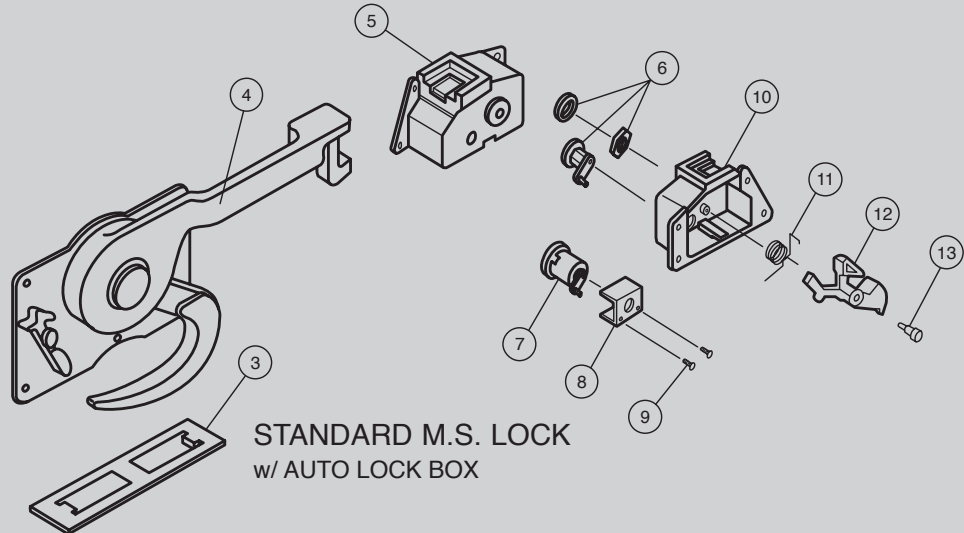
LOCK OPTIONS

ORDERING INSTRUCTIONS

When ordering parts, be sure to include the part name and number and your door's SERIAL NUMBER. See metal tag attached to the inside of the door (standing inside unit facing the door).



Orders for replacement door panels should specify whether top, intermediate or bottom panel is required (panel width, height and thickness dimensions should be indicated).



STANDARD M.S. LOCK
w/ AUTO LOCK BOX

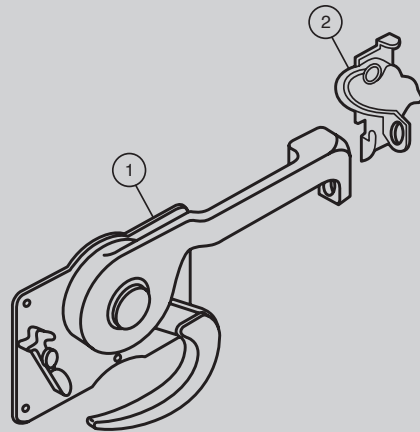
Call for our complete parts lists of locks, or view this list on our web site.

Item	Part No.	Description
1	69571	Maximum Security Lock – Standard
	70223	Maximum Security Lock – Offset Lever Arm
2	69572	Keeper Assembly
3	70093	Catch Plate – MS Lock
4	69634	Lock Assembly – Auto Box – Standard
	70220	Lock Assembly Auto Box – Offset Lever Arm
5	69714-1	Auto Housing Assembly – Standard Cylinder
	69714-2	Auto Housing Assembly – Removable Core Cylinder (Less Core & Keys)
6	69711	Lock Cylinder – Standard
7	69011	Lock Cylinder – Removable Core (Less Core & Keys)
8	69670	Retainer – Removable Core Cylinder
9	80288-1408	Round Head Bolt - #10 x 24
10	69709-1	Housing – Standard Cylinder
	69709-2	Housing – Removable Core Cylinder
11	69713	Spring
12	69710	Catch
13	69669	Shoulder Bolt

For new orders and order inquiries:

call: (740) 383-6376

fax: 1-800-24-TODCO
(800-248-6326)



STANDARD MAXIMUM
SECURITY (M.S.) LOCK



1332 Fairground Road East
Marion, Ohio 43302
(740) 383-6376

NOT JUST TOUGH...TODCO-TOUGH

www.todco.com

TODCO reserves the right to change product specifications at any time without notice.

COUNTERBALANCE

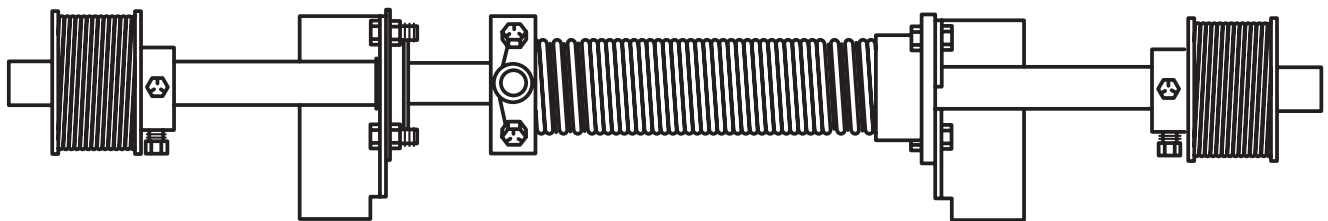
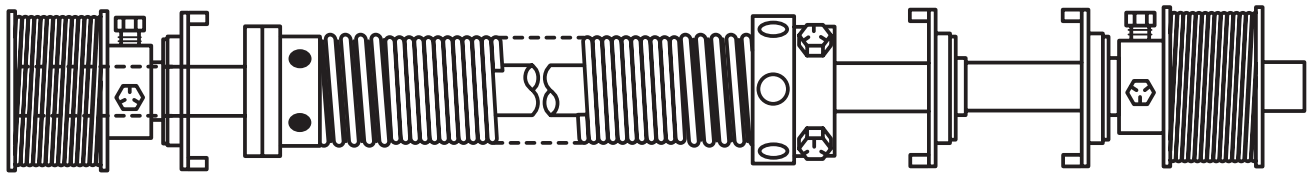
PARTS





COUNTERBALANCE

STANDARD PARTS LIST



STANDARD PARTS

59174, #59195, #59230

Item	Part No.	Description	Required:			
			59174	59195	59195-1	59230
1	59129-1	Standard Cable Drum - L.H. Alum.	•	•		
2	59129-2	Standard Cable Drum - R.H. Alum.	•	•		
3	51037	Counterbalance Shaft	•	•	•	•
4	59076	Spring with Plugs		•	•	
5	51036-2	Anchor Bracket	•	•	•	•
6	59092	Spring Filler Plug		•	•	
7	89186-3	Hex HD Bolt - 5/16" NC x 7/8" LG	•	•	•	•
8	80322-319	Lock Washer - 5/16"	•	•	•	•
9	59157-3	Extended Cable Drum - L.H. Alum.			•	•
10	59157-4	Extended Cable Drum - R.H. Alum.			•	•
11	51065	Spring with Plugs	•			•
12	80352-518	Hex Nut - 5/16" NC	•			•

59209, #59220

Item	Part No.	Description	Required:	
			59209	59220
1	59129-1	Standard Cable Drum - L.H. Alum.	•	
2	59129-2	Standard Cable Drum - R.H. Alum.	•	
3	59157-3	Extended Cable Drum - L.H. Alum.		•
4	59157-4	Extended Cable Drum - R.H. Alum.		•
5	59290	Counterbalance Shaft	•	•
6	59208	Spring with Plugs	•	•
7	59206	Bearing Assembly	•	•

59292, #59293

Item	Part No.	Description	Required:	
			59292	59293
1	59129-1	Standard Alum. Cable Drum - L.H.	•	
2	59129-2	Standard Alum. Cable Drum - R.H.	•	
3	59157-3	Extended Alum. Cable Drum - L.H.		•
4	59157-4	Extended Alum. Cable Drum - R.H.		•
5	59290	Counterbalance Shaft	•	•
6	51065	Spring with Plugs	•	•
7	51036-2	Anchor Bracket	•	•
8	89186-3	Hex Head Bolt - 5/16" x 7/8" IG.	•	•
9	80352-518	Hex Nut - 5/16" NC	•	•
10	80322-319	Lock Washer - 5/16"	•	•
11	59139-8	Support Bracket Assembly	•	•

DETERMINING YOUR SPECIFICATIONS

As the leader in custom door applications, TODCO has built more doors that meet the demand for personalized solutions than anyone in the industry. As a result, all TODCO counterbalances are manufactured to meet a custom door specification. The following guide is to assist you in determining your specific counterbalance part(s) need.

• LOCATE YOUR SERIAL NUMBER ON THE TODCO PLATE.

Locate the serial number (printed on the plate inside the door) for the door that needs a new counterbalance or part(s). Once you have the number, please contact your TODCO representative. They will then be able to determine which counterbalance or part(s) is needed for your specific door.



• IF THE SERIAL NUMBER IS UNAVAILABLE:

If the serial number is unavailable, please determine the following information:

- 1: The inside diameter (I.D.) of the torsion spring.
- 2: The length of the torsion spring.
- 3: The number of coils within 10 inches of the torsion spring.
- 4: The length of the shaft.
- 5: The part number on each of the two (2) cable drums.

■ Using the Counterbalance Part Selector.

Once you have determined your specifications, you can refer to the Counterbalance Part Selector (located on the back page) to decide which counterbalance part you need. To use the chart, begin in column A and work to the right, using the process of elimination. When you reach the fifth column, only one drawing number will match your specs. And you can find that drawing number in the last column.

■ Refer to the drawing number.

Now that you have determined your drawing number, use the corresponding drawing to find the needed part number. Phone or fax your order directly to TODCO.

NOTE: Please specify with or without E-Coat on spring and/or shaft.



COUNTERBALANCE PARTS

MAINTENANCE GUIDE

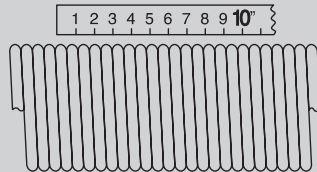
Lubricate counterbalance bearings with TODCO FG Lube. Spray counterbalance with TODCO FG Lube to prevent rusting.



REFER TO SAFETY INSTRUCTIONS STICKER ON DOOR AND OWNER'S MANUAL FOR OPTIONS AND FOR OTHER IMPORTANT SAFETY AND MAINTENANCE ITEMS.

TO DETERMINE SPRING WIRE SIZE

Position tape measure on the center of the spring coils. Count the number of coils in 10". *NOTE: The spring must be unwound (loose – with no tension) to obtain the proper number of coils.* Determine wire size from list below.

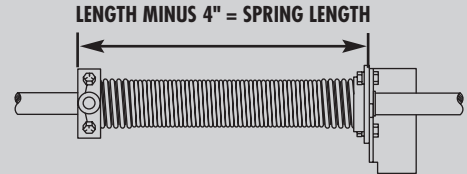


Wire	Size	Number of coils in 10"
8	(.162)	62
7	(.177)	56.5
6	(.192)	52
5	(.207)	48
4	(.225)	44
3	(.244)	41
2	(.262)	38
1	(.283)	35
0	(.306)	65 (measure 20")

TO DETERMINE SPRING LENGTH

Measure the total length of the spring and the plugs (castings) as shown below and subtract 4" (plugs account for 4"). This is your spring length.

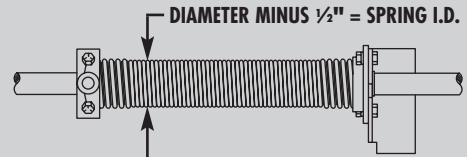
Note: The spring must be unwound (loose) to obtain the proper spring length.



TO DETERMINE SPRING DIAMETER (I.D.)

Measure the outside diameter of spring as shown below and subtract 1/2". This is your spring I.D. (inside diameter).

Note: TODCO uses 1 1/4" and 2 1/2" inside diameter springs (right wound) only.



For new orders and order inquiries:

call: (740) 383-6376

fax: 1-800-24-TODCO
(800-248-6326)

TODCO reserves the right to change product specifications at any time without notice.



1332 Fairground Road East
Marion, Ohio 43302
(740) 383-6376

NOT JUST TOUGH...TODCO-TOUGH

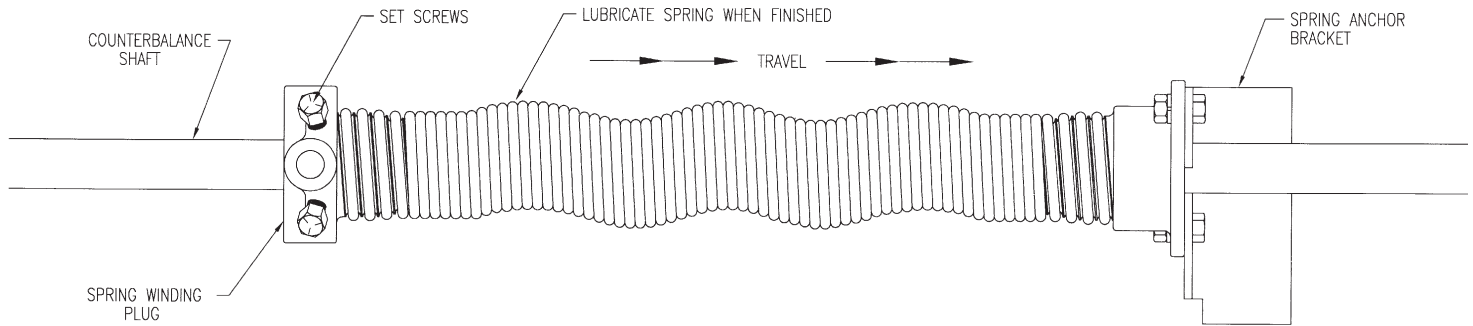
www.todco.com

COUNTERBALANCE PART SELECTOR

A	B	C	D	E	F
SPRING INSIDE DIAMETER	DOOR HEIGHT	TRAILER/TRUCK WIDTH	ADDITIONAL DESCRIPTORS	MAKE OF DOOR*	DRAWING NUMBER
1-3/4"	UP TO 105"	96"	—	W, AC, F, A	59174
1-3/4"	105" TO 120"	96"	—	W, AC, F, A	59230
2-1/2"	UP TO 105"	96"	W/59092 FILLER PLUG	W, AC, F, A	59195
2-1/2"	105" TO 120"	96"	W/59092 FILLER PLUG	W, AC, F, A	59195-1
1-3/4"	UP TO 105"	96" OR 102"	SHALLOW HEADER DOOR	W, AC	59209
1-3/4"	105" TO 120"	96" OR 102"	SHALLOW HEADER DOOR	W, AC	59220
1-3/4"	UP TO 105"	102"	—	W, AC, F, A	59292
1-3/4"	105" TO 120"	102"	—	W, AC, F, A	59293

* KEY: W = WOOD AC = ALUMINUM-CLAD WOOD F = FIBERGLASS A = ALUMINUM

SNAKED SPRING – REPAIR PROCEDURE



REPAIR PROCEDURE:

1. Close and lock the door from the inside.
2. Clamp the counterbalance shaft with vice grips (handle of grips against the ceiling) to keep the door cables tight.
3. Insert a 1/2" diameter x 18" winding bar into one of the spring winding plug holes.
4. While holding the winding bar, loosen the set screws, and let the spring move to its relaxed position. The spring will travel toward the spring anchor bracket.
5. Properly tighten both set screws on the winding plug and remove winding bar.
6. Remove the vice grips from the shaft.
7. Unlock and check the operation of door. Adjust spring as needed.

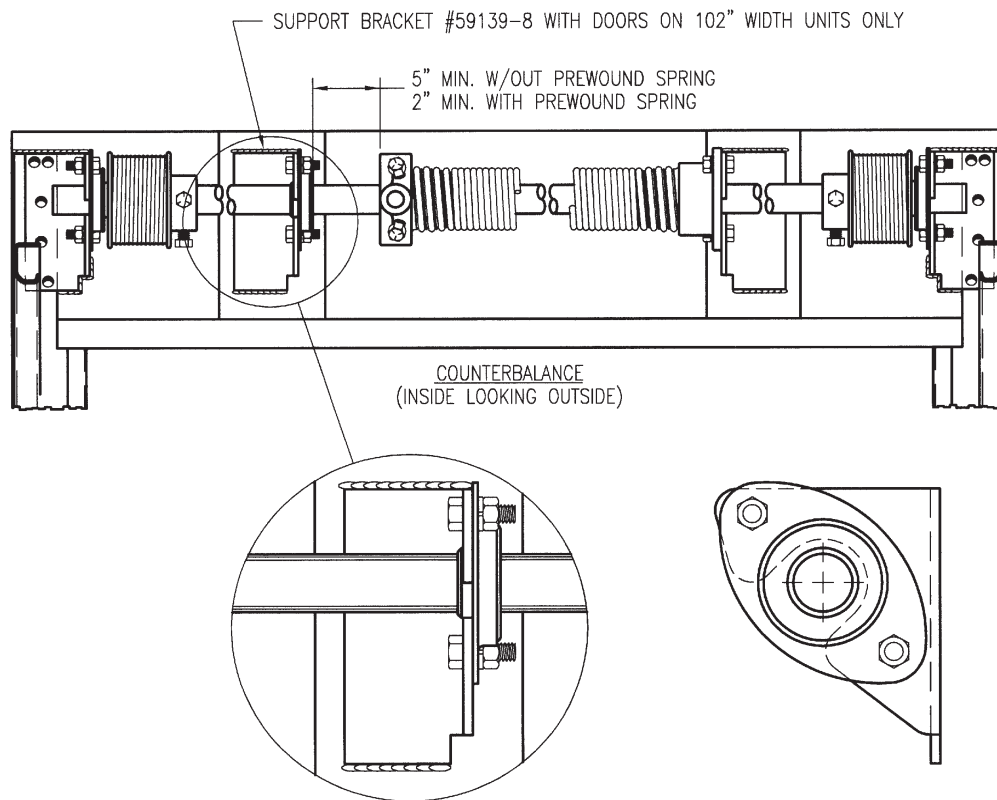
LUBRICATION:

Lubricate the counterbalance spring, tracks, bearings, rollers and hinges with TODCO Lube. Do not use grease.

IMPORTANT:

Refer to the door installation instructions for additional information and safety instructions.

COUNTERBALANCE SUPPORT BRACKET



TOP, BOTTOM AND SIDE SEALS

PARTS

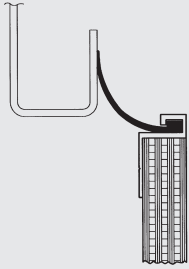


TODCO®

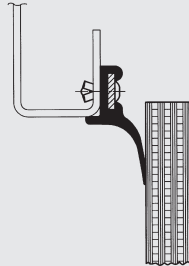


TOP, BOTTOM & SIDE SEAL OPTIONS

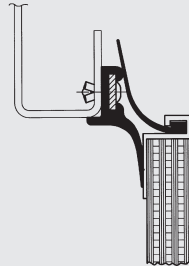
TOP PANEL & HEADER MOUNTED SEALS



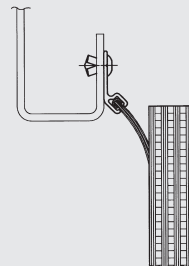
Panel Mounted – Rubber
#70001



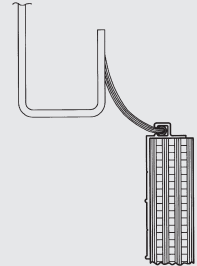
Header Mounted – Rubber
#69770



Dual Assembly – Rubber
#69770 Header Mounted
#70001 Panel Mounted



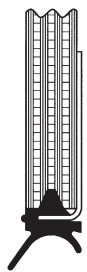
Brush Header Mounted
#70231 1" Brush
#70272 1-1/2" Brush



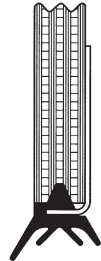
Brush Panel Mounted
#70279

DRYFREIGHT – Standard, Plywood, Dual Tite™ and Aluminum-Clad

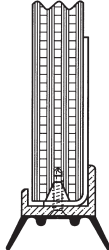
BOTTOM PANEL SEALS



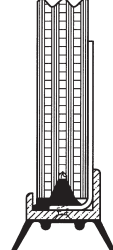
Standard – Rubber
#80840



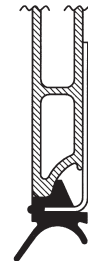
Optional – Rubber
#89204



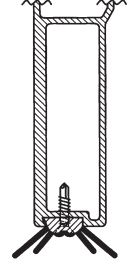
Replaceable - Vinyl
(original)
#70337



Replaceable - Vinyl
(replacement)
#70337



Rubber
#80840



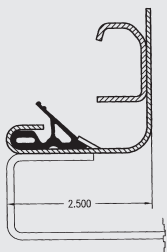
Rubber
#70354

DRYFREIGHT – Standard, Plywood, Dual Tite and Aluminum-Clad

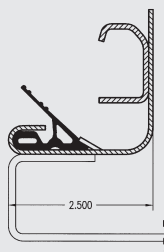
WEATHERTITE

FLEETSTAR

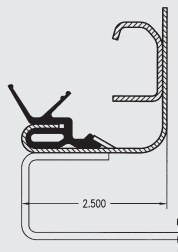
SIDE SEALS AND SECONDARY SEALS



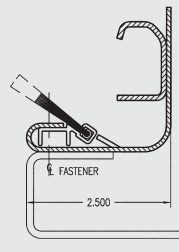
Standard – Rubber
#61390



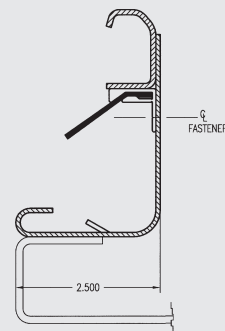
Long Lip – Rubber
#69840



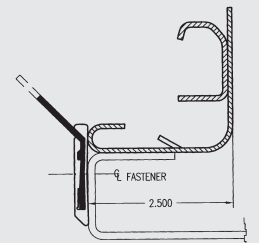
Dual Lip – Rubber
#70131



Brush Assembly
1" Brush #70232
1-1/2" Brush #70313

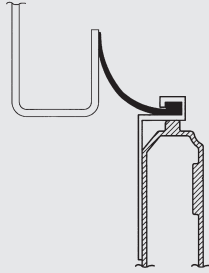


End Seal Assembly
Belted Material #70118



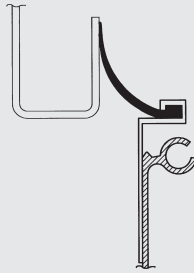
Secondary Seal Assembly
Belted Material #70105
(Long Lip #70142)

Installations with Standard 2-1/2" Sideroom Mounting Angle/Track Spacing



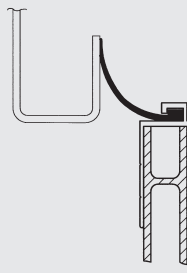
Panel Mounted – Rubber
#70289

FLEETSTAR®



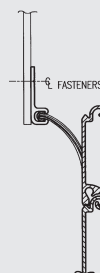
Panel Mounted – Rubber
#70289

CITYCARGO™



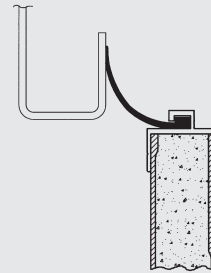
Panel Mounted – Rubber
#70468

WEATHERTITE™



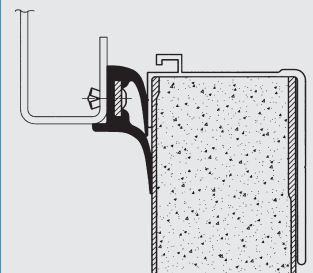
Header Mounted – 1" Brush
#70246

ROLL-UP SHUTTER DOOR



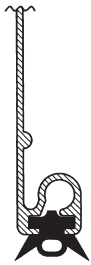
Panel Mounted – Rubber
Seal Retainer – #70083
Seal – # 69718

1- 1/8" POLARGUARD®



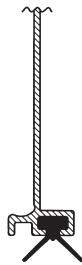
Header Mounted – Rubber
#70135

2-1/2" POLARGUARD®



Rubber
#69242

CITYCARGO



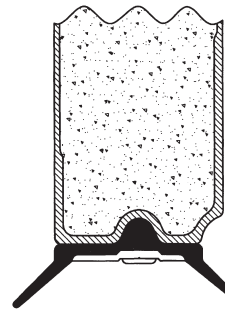
Rubber
#39218

ROLL-UP SHUTTER DOOR



1-1/8" Door – Rubber
#70084

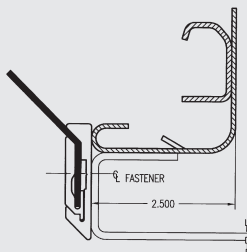
1-1/8" POLARGUARD



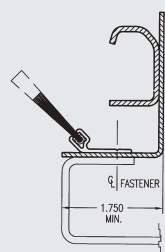
2-1/2" Door – Rubber
#69987
(Retainer #69988)

2-1/2" POLARGUARD

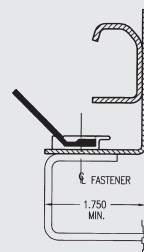
See back for seal measuring, ordering and installation instructions.



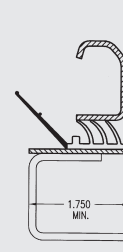
Secondary Seal Assembly
Belted Material – Removable
#70336



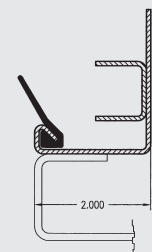
Brush Assembly
1" Brush #70231
1-1/2" Brush #70272



Seal Assembly
Belted Material #69922
(Long Lip #70362)



Push-In-Seal
Vinyl (1/2" Track Spacing) #70338
For 3/4" dryfreight only with standard end bing.



Side Seal
#39235

For less than 2-1/2" Sideroom Mounting Angle

ROLL-UP SHUTTER DOOR



TOP, BOTTOM & SIDE SEAL OPTIONS

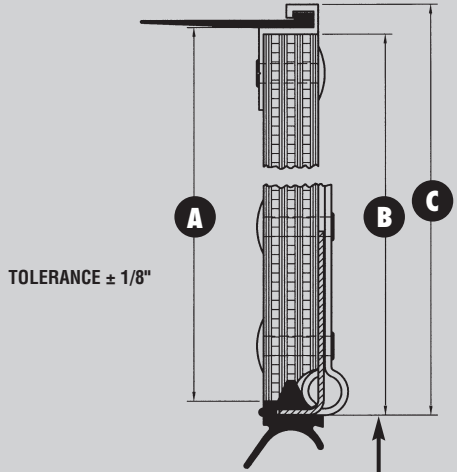
ORDERING INSTRUCTIONS

When ordering parts, be sure to include the part name and number and your door's SERIAL NUMBER. See metal tag attached to the inside upper right-hand corner of the door (standing inside unit facing the door).



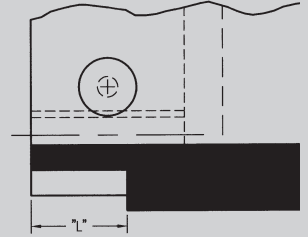
Orders for replacement door panels should specify whether top, intermediate or bottom panel is required (panel width, height and thickness dimensions should be indicated).

HOW TO MEASURE DOOR HEIGHTS



TOLERANCE $\pm 1/8"$
 "A"= PANEL STACK-UP PLUS 1/8"
 "B"= PANEL STACK-UP PLUS 3/16"
 "C"= PANEL STACK-UP PLUS 5/8"
 BOTTOM OF BOTTOM ANGLE

BOTTOM SEAL NOTCHING DETAILS



Length	Side Seal	Side Room
1-1/4"	61390	----
1-5/8"	69840	----
3/4"	70338	----
1-5/8"	69922	2" *
1-1/4"	70077	1-1/2" *
1-1/4"	70120	1-1/2" *
1-5/8"	70131	----
1-5/8"	70145	2" *
1-5/8"	70231	2" *
1-1/4"	70232	----
3/4"	XM-3186	1-5/16" *

TRIM LEG ON SEAL NO. 80840
 TRIM BOTH FRONT LEGS ON SEAL NO. 89204

* SEAL NOTCH LENGTH PER CHART OR ADJUST AS REQUIRED BASED ON SIDEROOMS SHOWN

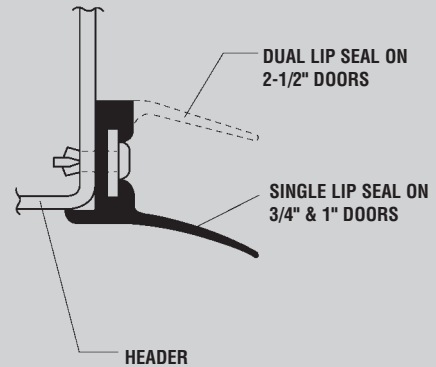
SEAL INSTALLATION

Header Seal:

Cut the header seal to length to fit in between the vertical mounting angles.

Place the header seal assembly against the inside face of the header. With the small tab against the underside of the header, drill 3/16" holes and secure with drive rivets.

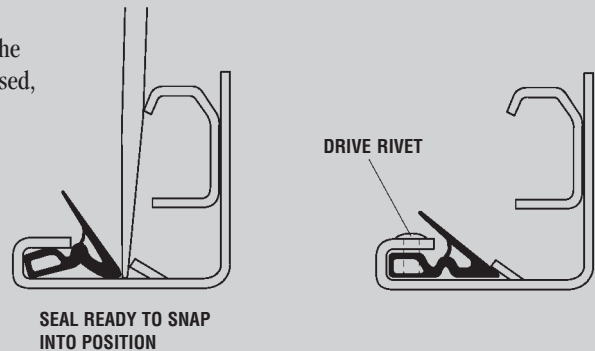
The 2-1/2" insulated door has a dual-lip head seal mounted in the same manner. The 1-1/8" door head seal is attached to the top panel, which is also optional on the 3/4" door.



Side Seals:

Side seals are extruded in pairs. Separate the two seals along tear line. With the door raised, insert seal in retaining lip the full length of the angle.

Insert seal at bottom lance and install drive rivet in lower hole. Stretch seal 1", insert in top lance and install drive rivet in upper hole. Snap seal into all remaining lances. Trim off excess seal.



For new orders and order inquiries:

call: (740) 383-6376

fax: 1-800-24-TODCO
 (800-248-6326)



NOT JUST TOUGH...TODCO-TOUGH

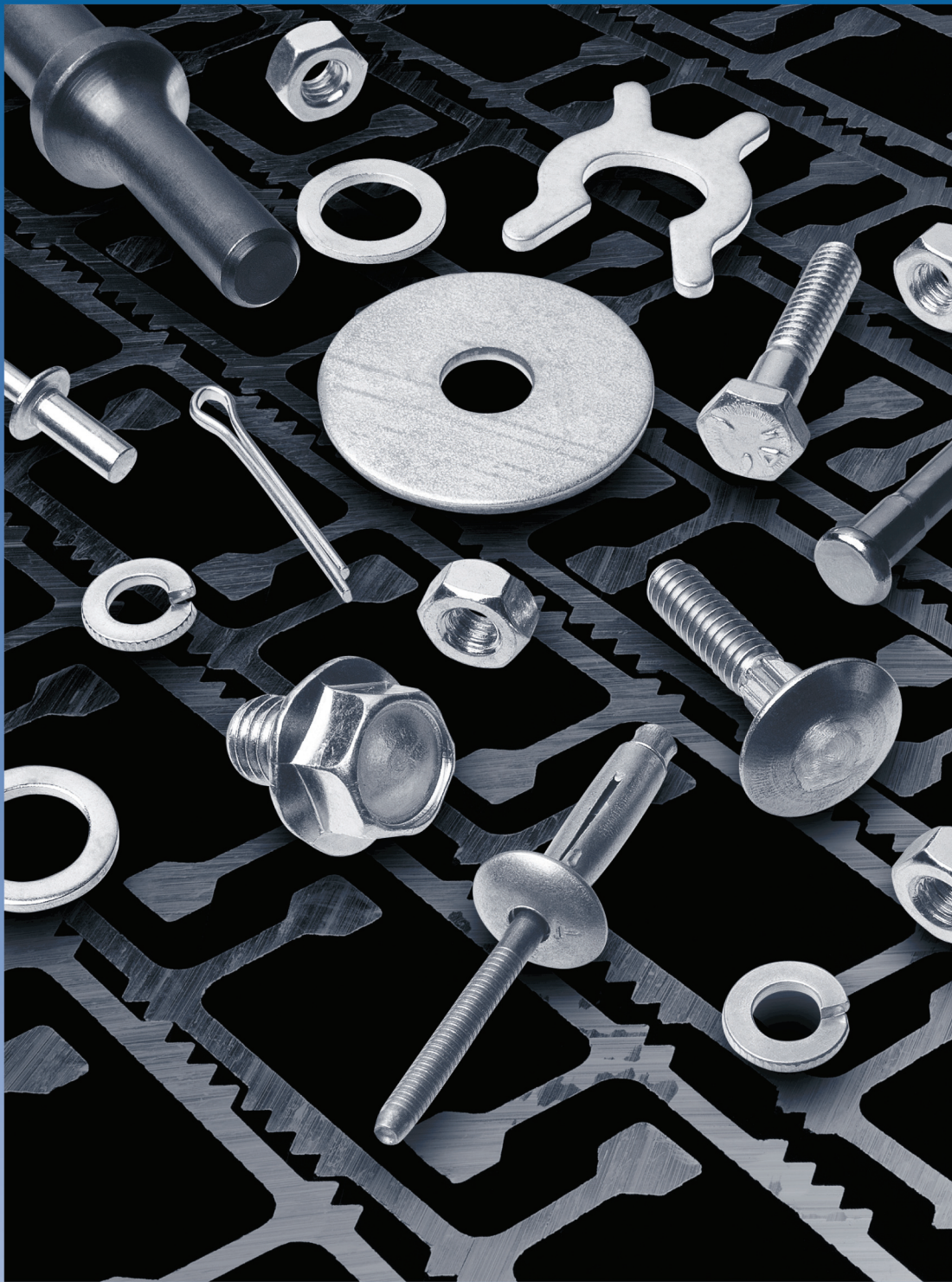
www.todco.com

TODCO reserves the right to change product specifications at any time without notice.

09/11

FASTENERS

PARTS



TODCO[®]



FASTENERS

ORDERING INSTRUCTIONS

When ordering parts, be sure to include the part name and number and your door's SERIAL NUMBER. See metal tag attached to the inside upper right-hand corner of the door (standing inside unit facing the door).



Orders for replacement door panels should specify whether top, intermediate or bottom panel is required (panel width, height and thickness dimensions should be indicated).

For new orders and order inquiries:

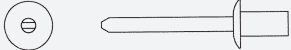
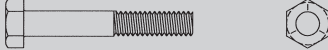
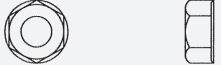
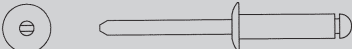
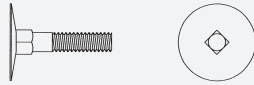
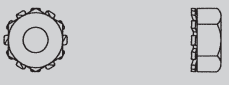
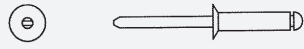

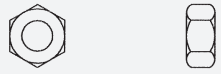


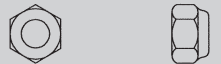



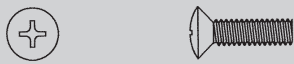
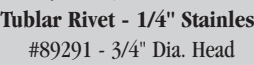

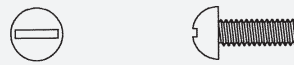
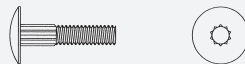


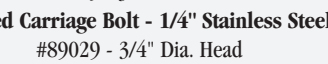
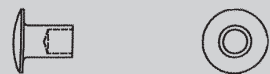
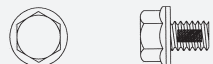
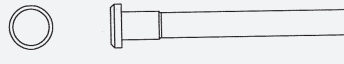

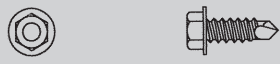
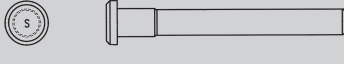
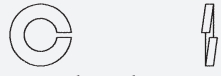
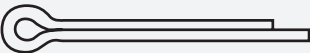


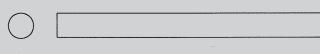
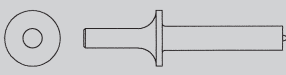
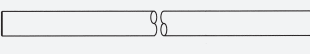
call: (740) 383-6376

fax: 1-800-24-TODCO
(800-248-6326)

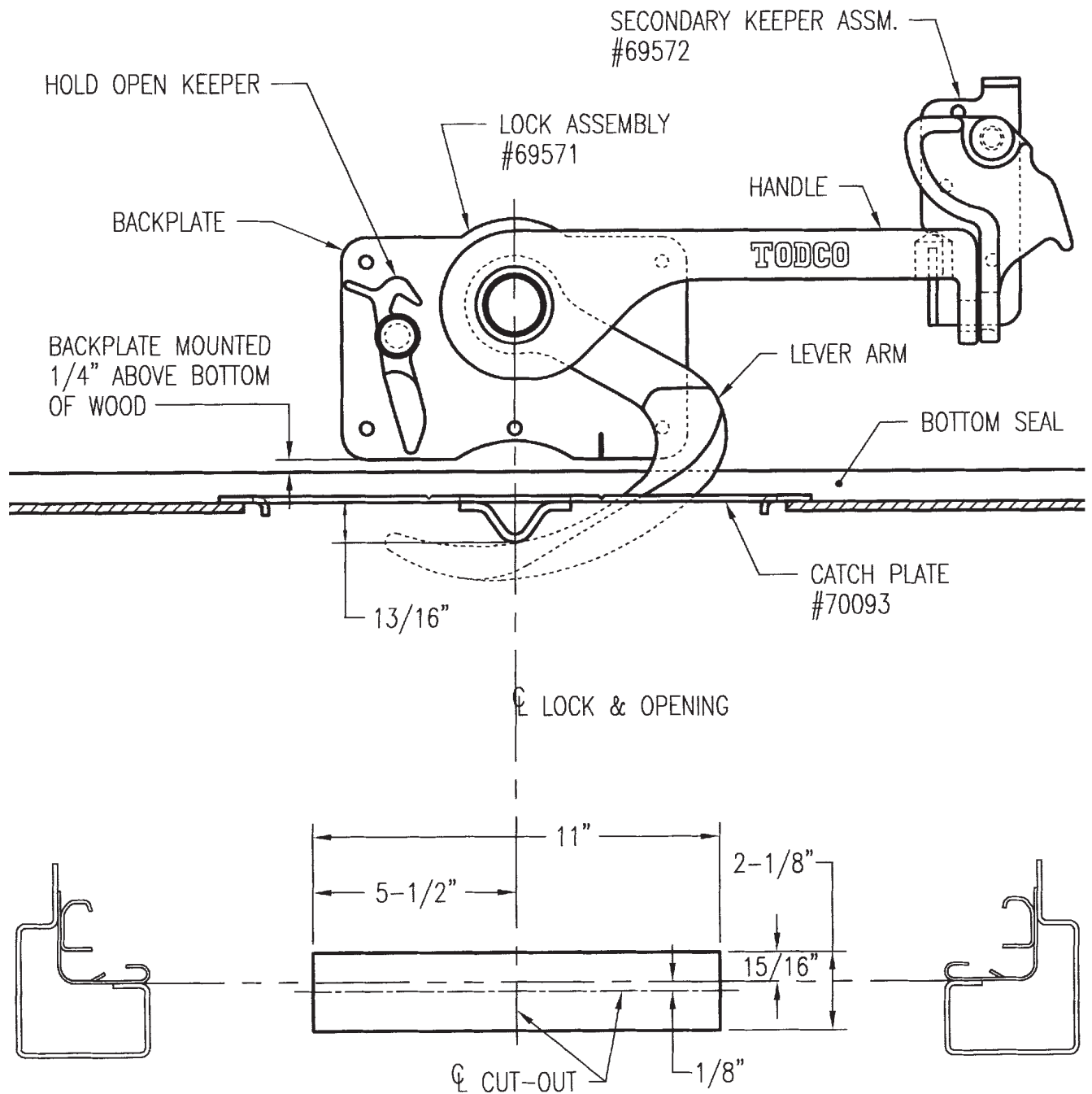


NOT JUST TOUGH...TODCO-TOUGH.

www.todco.com

 Closed End Blind 1/4" Rivet #89232	 Hex Head Bolt - NC Grade 2 #80105	 Flange Lock Nut #89155
 Open-End 1/4" Pop Rivet #89299 - Steel	 Flat Head Carriage Bolt - 1/4" Steel #80110 - 1" Dia. Head	 Hex Nut w/ External Lock Washer (Ace Kep Nut) #89231
 Flush Head 1/8" Pop Rivet #89178	 Rib Neck Carriage Bolt - 1/4" Steel #89004 - 9/16" Dia. Head	 Hex Head Nut #80352
 Cherry Klamp-Tite 1/4" Rivet #89113	 Flat Head Semi-Tubular Rivet - 1/4" Steel #89084 - 3/4" Dia. Head	 Lock Nut - Nylon Insert #89042
 3/16" Drive Rivet #89100	 Semi-Tubular Rivet - 1/4" Steel #89210 - 3/4" Dia. Head	 Nutsert Insert #89115
 Oval Head Machine Screw - #10-32 Steel #80037	 Semi-Tubular Rivet - 1/4" Stainless Steel #89291 - 3/4" Dia. Head	 Spacer Washer - Roller #80020 - Zinc # 80020-1000 - Stainless Steel
 Round Head Slotted Screw #80288	 Splined Carriage Bolt - 1/4" Steel #80015 - 3/4" Dia. Head	 Repair Spacer Washer - Roller #70461
 Hex Head Set Screw #80300	 Splined Carriage Bolt - 1/4" Stainless Steel #89029 - 3/4" Dia. Head	 Rivet - 3/16" Aluminum #39220 - 3/8" Dia. Head
 Hex Washer Head Screw #89049	 Hinge Pin #69653	 Flat Washers #80302
 Self-Drilling Washer Head Screw #89136	 Hinge Pin - Stainless Steel #70447	 Lock Washers #80322
 Cotter Pin #80401	 Pin - Cable Anchor #61026	 "T" Nut Fastener #89104
 Hand Rivet Set #69733	 Rivet Set - Air Gun #69309	 Winding Bar #59310

CUT-OUT IN SILL FOR LOCK CATCH PLATE



DETAIL OF CUT-OUT IN SILL FOR LOCK CATCH PLATE

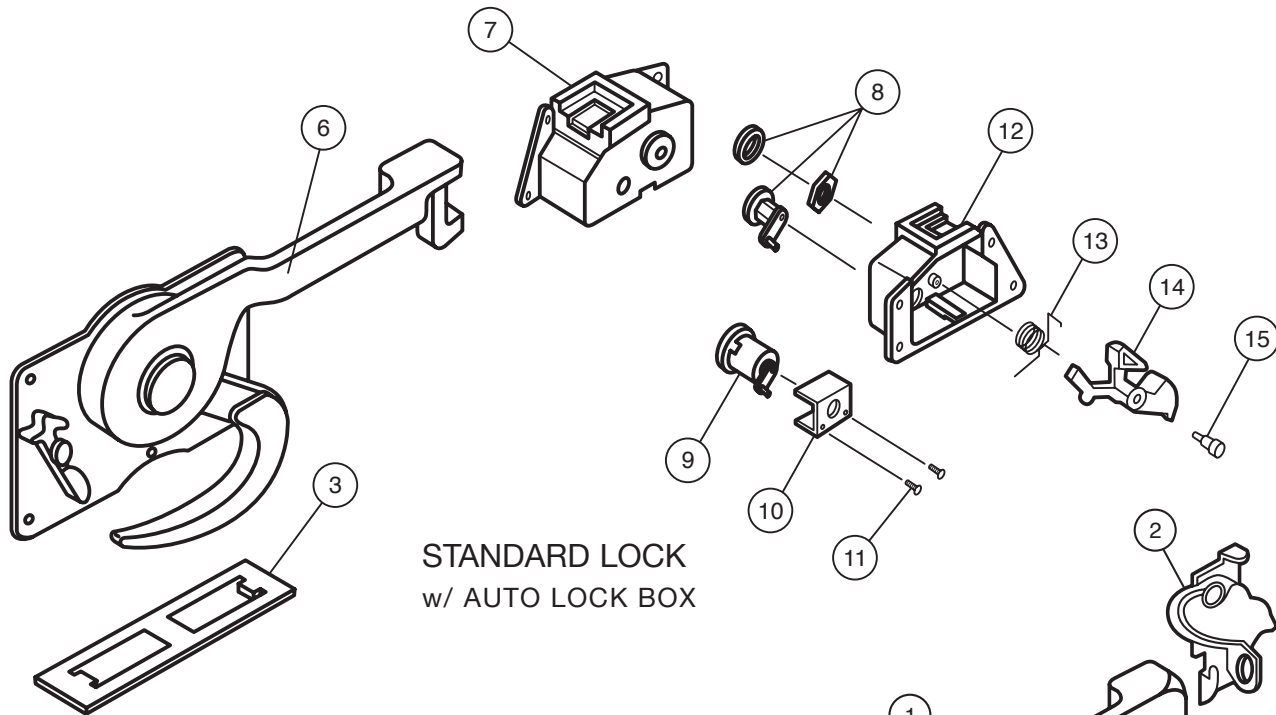
LOCK OPTIONS

PARTS

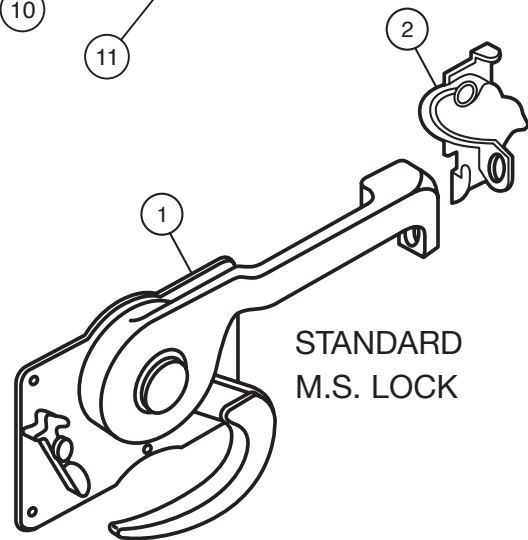




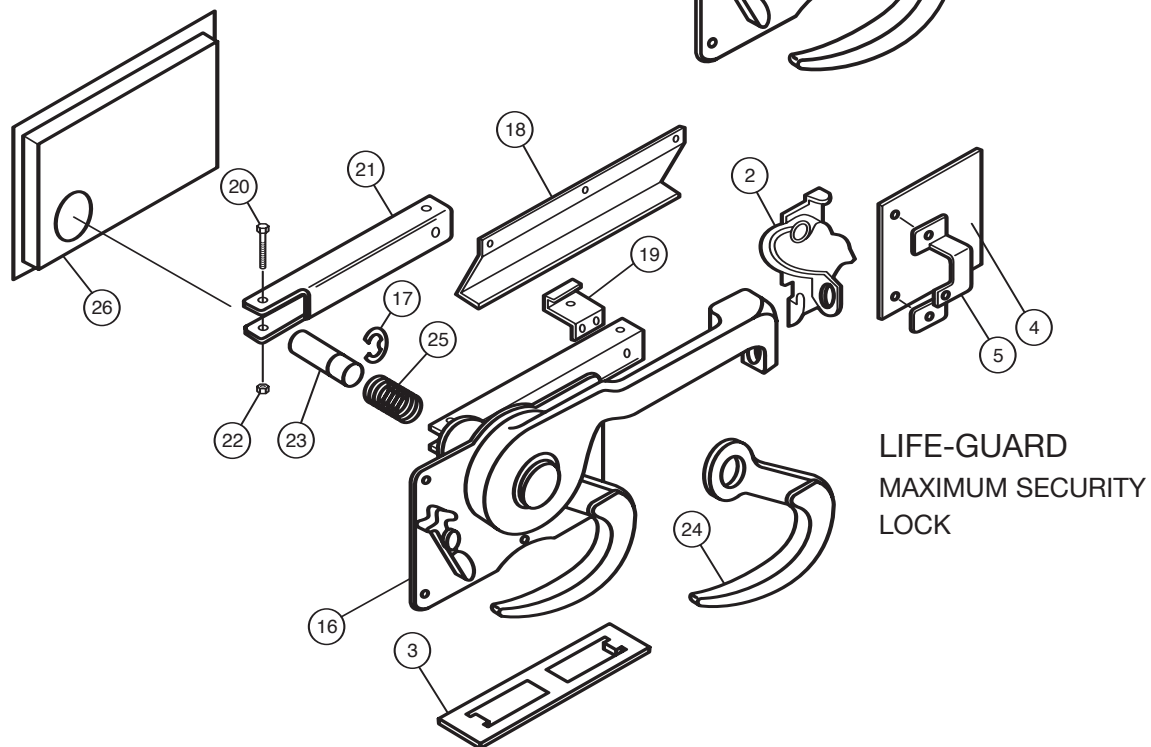
STANDARD LOCK OPTIONS



STANDARD LOCK
w/ AUTO LOCK BOX



STANDARD
M.S. LOCK



LIFE-GUARD
MAXIMUM SECURITY
LOCK

STANDARD LOCKS

Item	Part No.	Description
1	69571	Maximum Security Lock – Standard
	70223	Maximum Security Lock – 1/2" Offset
2	69572	Keeper Assembly
3	70093	Catch Plate – MS Lock
4	69691	Back Plate – Padlock Keeper
5	69602	Padlock Keeper
6	69634	Lock Assembly – Auto Box – Standard
	70220	Lock Assembly Auto Box – 1/2" Offset
7B	69714-1	Auto Housing Assembly – Standard Cylinder
A,B	69714-2	Auto Housing Assembly – Removable Core Cylinder (Less Core & Keys)
8	69711	Lock Cylinder – Standard
9	69011	Lock Cylinder – Removable Core (Less Core & Keys)
10	69670	Retainer – Removable Core Cylinder
11	80288-1408	Round Head Bolt - #10 x 24
12	69709-1	Housing – Standard Cylinder
	69709-2	Housing – Removable Core Cylinder
13	69713	Spring
14	69710	Catch
15	69669	Shoulder Bolt
16	69807	Life Guard Lock Assembly – Standard
	69807-1	Life Guard Lock Assembly – 1/2" Offset
17	80415-23	Retaining Ring
18	69184	Lock Protector
19	69687	Security Clip – 3/4" Door
	70096	Security Clip – 1-1/8" Door
	70147	Security Clip – 2-1/2" Door
20	89158	Hex Head Bolt – Grade 5
21	69816	Release Handle
22	89042-2	Lock Nut – 1/4" NC
23	69815	Lock Pin
24	70115	Lever Arm – Standard
	70221	Lever Arm – 3/8" Offset
25	69803	Spring
26	69929	Cover Pan – 2-1/2" Door
<p>(A) Removable Core Cylinder furnished less core and keys; will accept Best or Falcon Core with 6-pin tumbler</p> <p>(B) Key removable in locked position only</p>		

SLAM LOCK PARTS

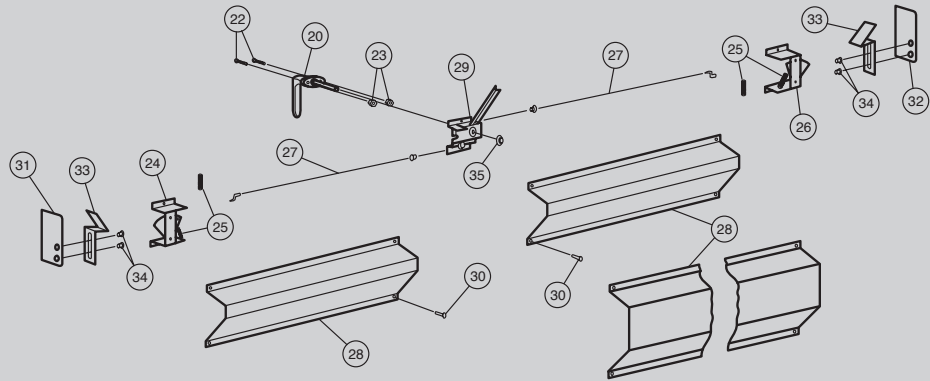
Item	Part No.	Description
1	69799	Lock Cylinder – Standard (Option 1 & 3)
	A,B 69011	Lock Cylinder – Removable Core – Less Core & Keys (Option 5)
2	69800	Escutcheon – Standard Cylinder (Option 1 & 3)
	61450	Escutcheon – Removable Core Cylinder (Option 5)
3	61380	Shim Strip
4	61382	Back Plate
5	61378	Top Cam Catch – Option #1
6	61427	Top Cam Catch – Option #3
7	69007	Top Cam Catch – Option #5
8	61426	Spring – Top Cam Catch – Option #3
9	61385	Rivet – Top Cam Catch
10	61387	Rivet – Return Spring
11	61377	Cam
12	69627	Lock Bolt
13	61388	Return Spring – Lock Bolt
14	61386	Rivet – Lock Bolt
15	61381	Cover Plate
16	61375	Guide Pin
17	61379	Floor Catch Plate – Steel Sill
	69120	Floor Catch Plate – Aluminum Sill
18	69991	Lock Cylinder & Escutcheon Assembly (Option 1 & 3)
19	69014	Recessed "D" Handle – Keyed
20	69017	Outside "L" Handle – Keyed
	69000	Outside "L" Handle – Plain
21	69927	Padlocking "L" Handle
22	80037-1316	Phillips Head C/S Screw – 1" LG.
	80037-1324	Phillips Head C/S Screw – 1-1/2" LG.
23	89104	"T" Nut Fastener - #10 x 32
24	70097-1	End Latch Assembly – LH (Curbside)
25	70101	Compression Spring
26	70097-2	End Latch Assembly – RH (Roadside)
27	70102	Cable Assembly – Specify Panel Length
28	69954	Cable Cover (2 Required)
29	70106	Cable Cover – Full – Specify Panel Length
	69959	Center Control
30	89136	Hex Head Screw - #10
31	69953-1	Catch Mounting Plate – LH (Curbside)
32	69953-2	Catch Mounting Plate – RH (Roadside)
33	69951	Lock Catch
34	89155	Flange Lock Nut – 5/16" NC
35	89078	Retaining Ring
36 B	69648-1	Slam Lock Assembly – Option #1
37	69648-3	Slam Lock Assembly – Option #3
38	69648-4	Slam Lock Assembly – Option #4
39 A,B	69648-5	Slam Lock Assembly – Option #5 (Removable Core Lock Cylinder)
<p>(A) Removable Core Cylinder furnished less core and keys; will accept 6-pin Best tumbler</p> <p>(B) Key removable in locked position only</p>		



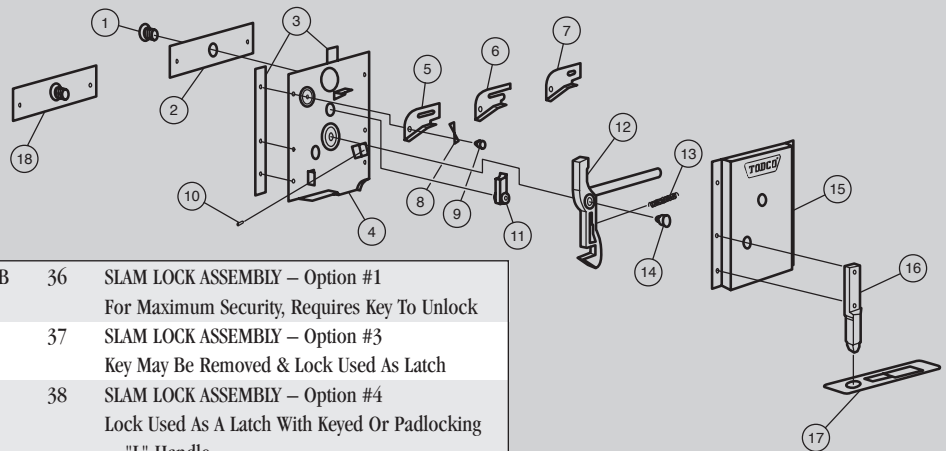
SLAM LOCK OPTIONS

Parts lists for these items are on the preceding page.

TWO-POINT SLAM LOCK



SLAM LOCK ASSEMBLY



B	36	SLAM LOCK ASSEMBLY – Option #1 For Maximum Security, Requires Key To Unlock
	37	SLAM LOCK ASSEMBLY – Option #3 Key May Be Removed & Lock Used As Latch
	38	SLAM LOCK ASSEMBLY – Option #4 Lock Used As A Latch With Keyed Or Padlocking "L" Handle
A,B	39	SLAM LOCK ASSEMBLY – Option #5 For Maximum Security, Requires Key To Unlock, With Removable Core Lock Cylinder, No Core Or Keys Furnished

For new orders and order inquiries:

call: (740) 383-6376

fax: 1-800-24-TODCO
(800-248-6326)

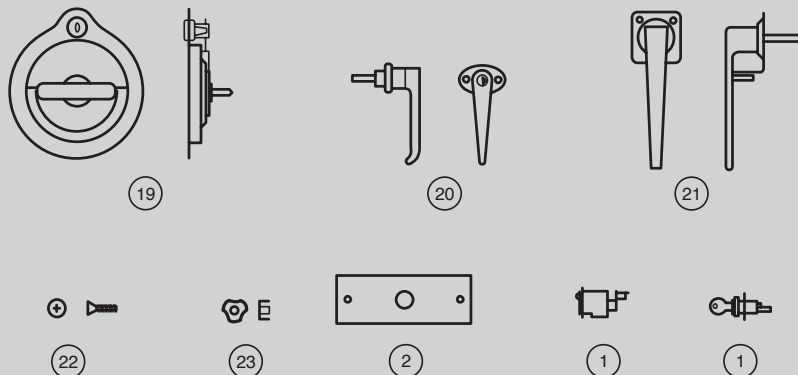


1332 Fairground Road East
Marion, Ohio 43302
(740) 383-6376

NOT JUST TOUGH...TODCO-TOUGH

www.todco.com

HANDLE AND HANDLE HARDWARE OPTIONS



ROLLARAMP®

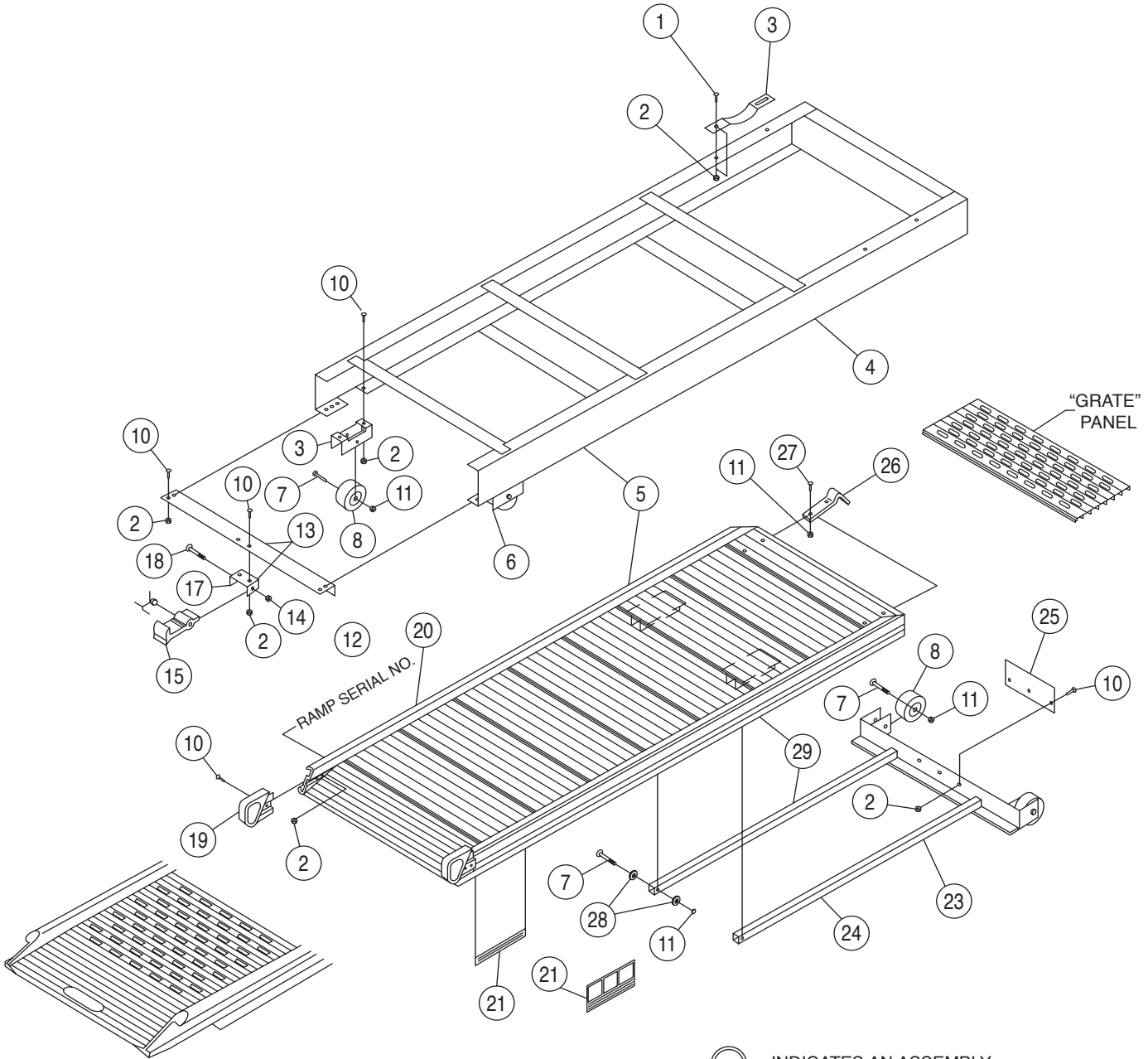
PARTS



TODCO®



ROLLARAMP®



OPTIONAL HORIZONTAL
"BLUNT" NOSE DESIGN

○ = INDICATES AN ASSEMBLY

STANDARD PARTS LIST

Item	Part No.	Description
1	89218-1	Button Head Cap Screw - 1/4" NC X 1/2"
2	89042-2	Lock Nut - 1/4" NC
3	39176	Anti-Bounce Spring
4	39288-1 *	8' Frame Assembly
	39289-1 *	10' Frame Assembly
	39290-1 *	12' Frame Assembly
	39291-1 *	14' Frame Assembly
	39292-1 *	16' Frame Assembly
5	39251-3072 **	8' Rollaramp with Frame Assembly (Complete)
	39251-3840 **	10' Rollaramp with Frame Assembly (Complete)
	39251-4608 **	12' Rollaramp with Frame Assembly (Complete)
	39251-5375 **	14' Rollaramp with Frame Assembly (Complete)
	39251-6144 **	16' Rollaramp with Frame Assembly (Complete)
	39330-3072 **	8' "Grate" Rollaramp with Frame Assembly (Complete)
	39330-3840 **	10' "Grate" Rollaramp with Frame Assembly (Complete)
	39330-4608 **	12' "Grate" Rollaramp with Frame Assembly (Complete)
	39330-5375 **	14' "Grate" Rollaramp with Frame Assembly (Complete)
	39330-6144 **	16' "Grate" Rollaramp with Frame Assembly (Complete)
6	39204	Wheel Bracket Assembly
7	80105-620	Hex Head Bolt - 3/8" NC X 2-1/2"
8	39171-0000	Wheel & Spacer
9	39185	Wheel Bracket
10	89218-2	Button Head Cap Screw - 1/4" NC X 3/4"
11	89042-3	Lock Nut - 3/8" NC
12	39196	Latch Angle
13	39205	Latch Angle Assembly
14	89042-1	Lock Nut - 5/16" NC
15	39180	Latch
16	39411	Latch Spring
17	39412	Latch Bracket
18	89219-1000	Shoulder Bolt - 3/8" NC X 3"
19	39504-1	Handle - Left Hand
	39504-2	Handle - Right Hand
20	39253-3072	8' Rollaramp with Hooks (No Undercarriage)
	39253-3840	10' Rollaramp with Hooks (No Undercarriage)
	39253-4608	12' Rollaramp with Hooks (No Undercarriage)
	39253-5375	14' Rollaramp with Hooks (No Undercarriage)

Item	Part No.	Description
	39253-6144	16' Rollaramp with Hooks (No Undercarriage)
	39342-0000	8' "Grate" Rollaramp with Hooks (No Undercarriage)
	39343-0000	10' "Grate" Rollaramp with Hooks (No Undercarriage)
	39344-0000	12' "Grate" Rollaramp with Hooks (No Undercarriage)
	39345-0000	14' "Grate" Rollaramp with Hooks (No Undercarriage)
	39346-0000	16' "Grate" Rollaramp with Hooks (No Undercarriage)
21	39525	Side Rail Sticker
22	39341	Operating Procedures Sticker
23	39200	Undercarriage Assembly
24	39206	Undercarriage Weldment (Only)
25	39187	Stop Plate
26	39542	Hook
27	89218-3	Button Head Cap Screw - 3/8" NC X 1-3/4"
28	80302-2436	Flat Washer - 3/8"
29	39252-3072	8' Rollaramp with Undercarriage (No Frame)
	39252-3840	10' Rollaramp with Undercarriage (No Frame)
	39252-4608	12' Rollaramp with Undercarriage (No Frame)
	39252-5375	14' Rollaramp with Undercarriage (No Frame)
	39252-6144	16' Rollaramp with Undercarriage (No Frame)
	39331-3072	8' "Grate" Rollaramp with Undercarriage (No Frame)
	39331-3840	10' "Grate" Rollaramp with Undercarriage (No Frame)
	39331-4608	12' "Grate" Rollaramp with Undercarriage (No Frame)
	39331-5375	14' "Grate" Rollaramp with Undercarriage (No Frame)
	39331-6144	16' "Grate" Rollaramp with Undercarriage (No Frame)
<p>* Frame Assembly includes Frame Weldment, Wheel Bracket Assembly, Latch Angle Assembly, Anti-Bounce Springs and Fasteners.</p> <p>** Includes Ramp with Hooks (#39253), Undercarriage Assembly (#39200) and Frame Assembly.</p> <p><i>When ordering parts, be sure to give ramp serial number, part number, and description. Ramp serial number can be found on a metal tag attached to outside of roadside ramp rail.</i></p>		



SPRING ASSIST

Your drivers may pull and lift their walk ramps dozens of times a day, and that can mean serious driver fatigue. That's why we were the first to develop the patented Spring Assist™ system for our Rollaramp® walk ramps. With the Spring Assist system, drivers can easily lift ramps to bed height – making light work of walk ramps.

The unique construction of extruded aluminum with interlocking panels makes Spring Assist heavy duty and TODCO tough. It gives you a lightweight walk ramp with heavyweight strength and durability.

The Spring Assist system is easy to retrofit to existing Rollaramp walk ramps. Contact TODCO for more information and instructions. See back side for details.



ROLLARAMP® SPRING ASSIST

ORDERING INSTRUCTIONS

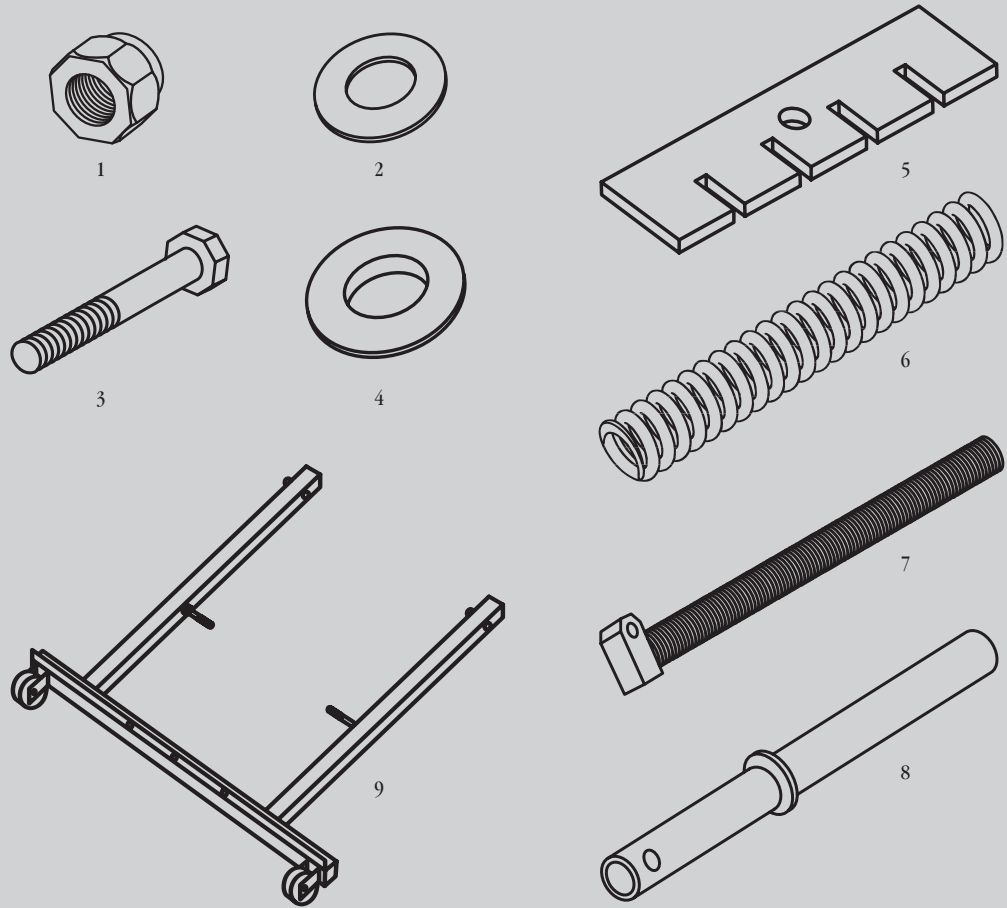
When ordering parts, be sure to include the part name and number and your ramp's SERIAL NUMBER. See metal tag attached to the left side rail, close to the handles.



For new orders and order inquiries:

call: (740) 383-6376

fax: 1-800-24-TODCO
(800-248-6326)



1332 Fairground Road East
Marion, Ohio 43302
(740) 383-6376

NOT JUST TOUGH...TODCO-TOUGH

www.todco.com

	39485	39501		
Item	Qty.	Qty.	Part No.	Description
1	2	2	89042-3	Lock Nut - 3/8" NC
	2	2	89042-6	Lock Nut - 1/2" NC
	2	2	89042-7	Lock Nut - 5/8" NC
2	4	4	80302-3244	Flat Washer - 1/2" ID
3	2	2	89158-1	Hex Head Bolt - 1/2" NC X 2-1/2"
	2	2	80105-620	Hex Head Bolt - 3/8" NC X 2-1/2"
4	2	2	39480	Spring Alignment Collar
5	4	4	39483-3	Spring Mounting Plate - 6" Long
6	2	-	39475	Spring - 12" Long
	-	2	39502	Spring - 16" Long
7	2	2	39479	Threaded Rod Weldment - 15" Long
8	2	-	39481	Spring Guide Tube (Use with 12" Spring)
	-	2	39503	Spring Guide Tube (Use with 16" Spring)
9	-	-	39482	Undercarriage Assembly - Spring Assist

* NOTE: Use 39501 if top of sill is 14" to 20" above top of walkramp frame.

TODCO reserves the right to change product specifications at any time without notice.