

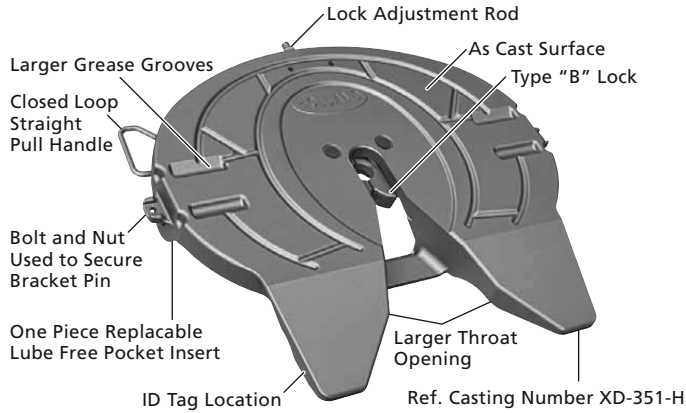


SAF-HOLLAND Group

Fifth Wheel Model Identification

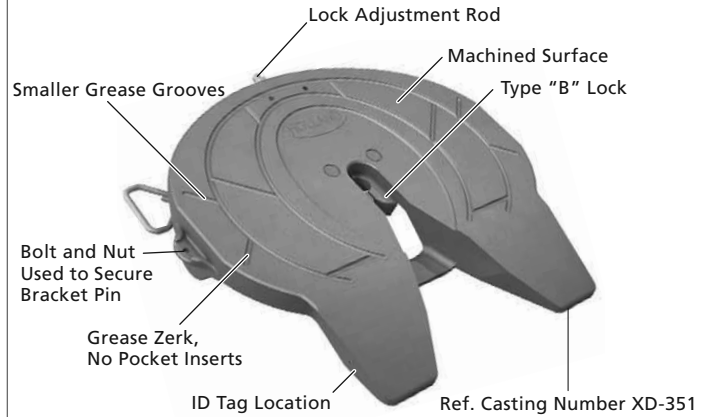
FW35

55,000 lbs. Maximum Vertical Load
150,000 lbs. Maximum Drawbar Pull



Old Style FW35

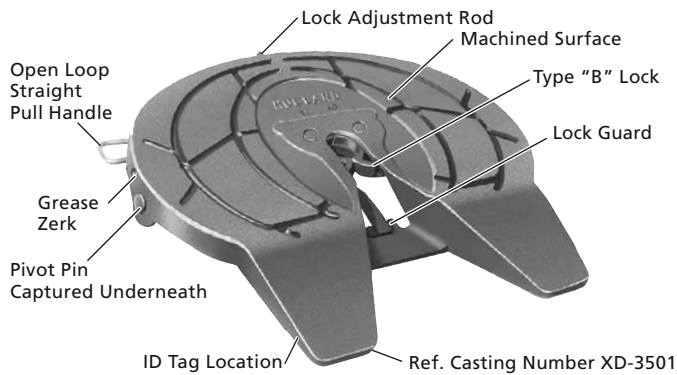
55,000 lbs. Maximum Vertical Load
150,000 lbs. Maximum Drawbar Pull



FW3500

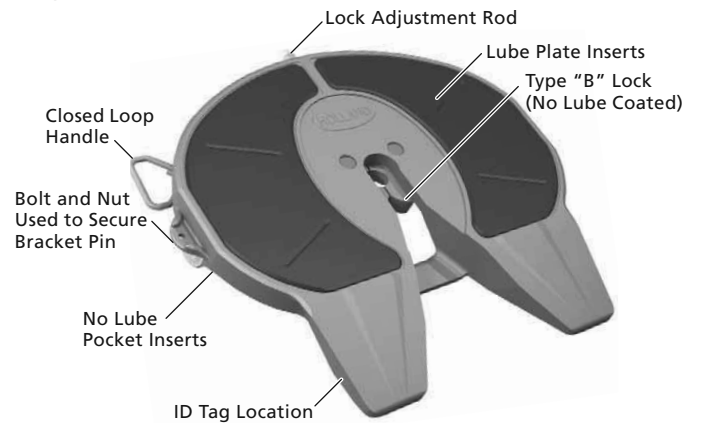
40,000 lbs. Maximum Vertical Load
150,000 lbs. Maximum Drawbar Pull

Discontinued - Replacement Parts Only



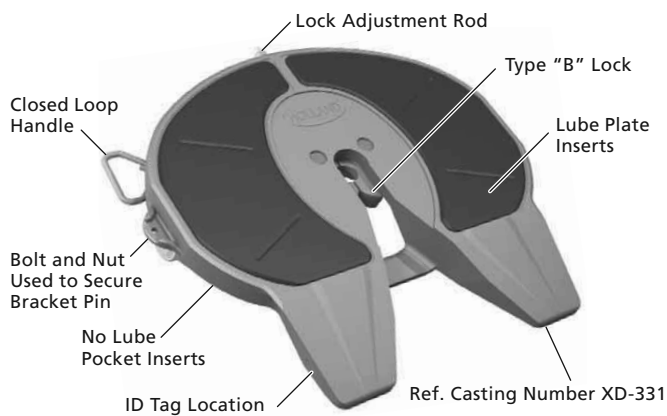
FW31 (NoLube™)

55,000 lbs. Maximum Vertical Load
150,000 lbs. Maximum Drawbar Pull



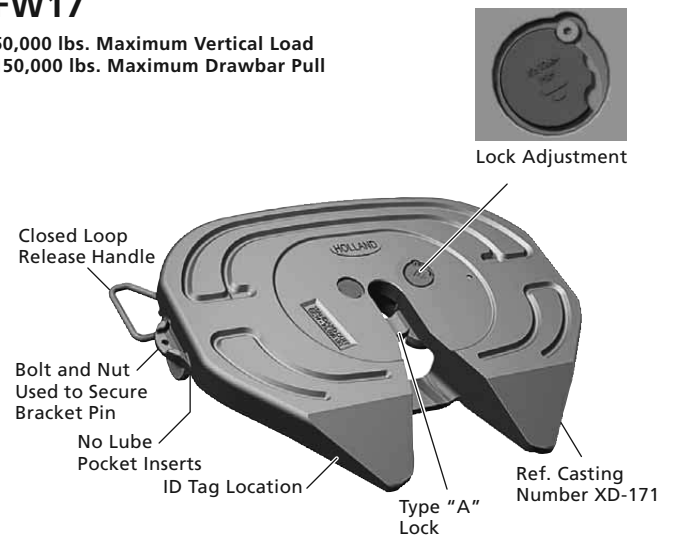
FW33 (Low Lube)

55,000 lbs. Maximum Vertical Load
150,000 lbs. Maximum Drawbar Pull



FW17

50,000 lbs. Maximum Vertical Load
150,000 lbs. Maximum Drawbar Pull



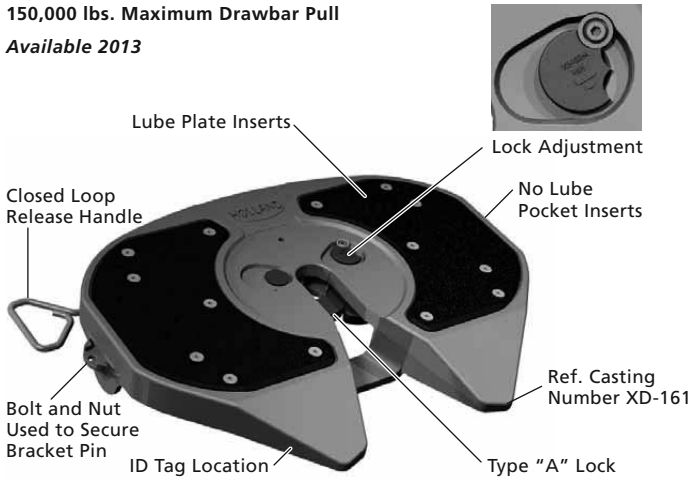
Fifth Wheel Model Identification



SAF-HOLLAND Group

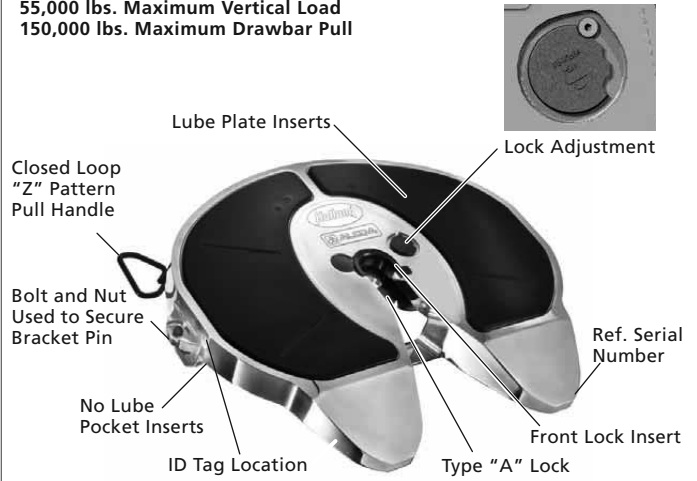
FW16

50,000 lbs. Maximum Vertical Load
150,000 lbs. Maximum Drawbar Pull
Available 2013



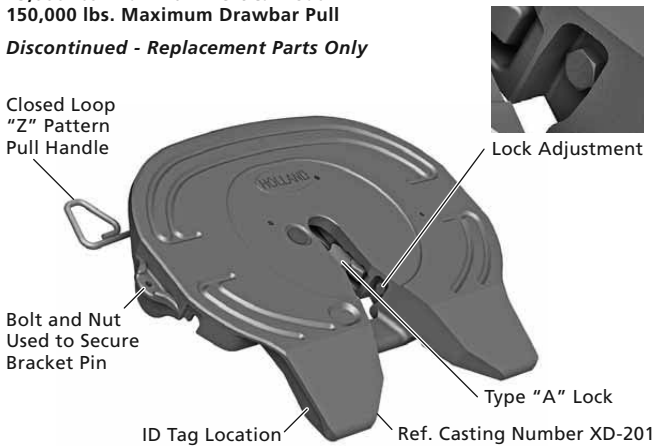
FWAL

55,000 lbs. Maximum Vertical Load
150,000 lbs. Maximum Drawbar Pull



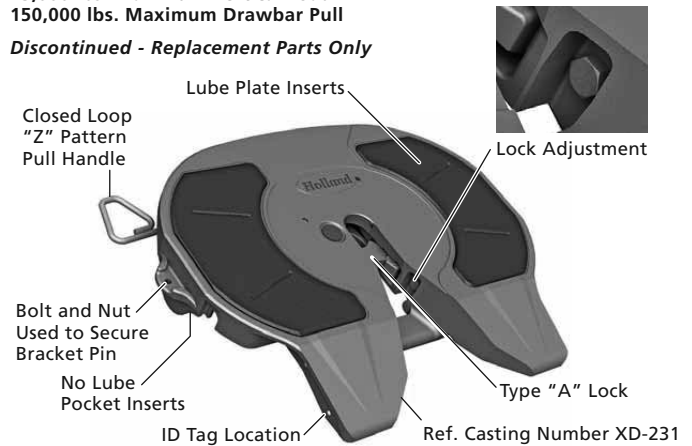
FW8

45,000 lbs. Maximum Vertical Load
150,000 lbs. Maximum Drawbar Pull
Discontinued - Replacement Parts Only



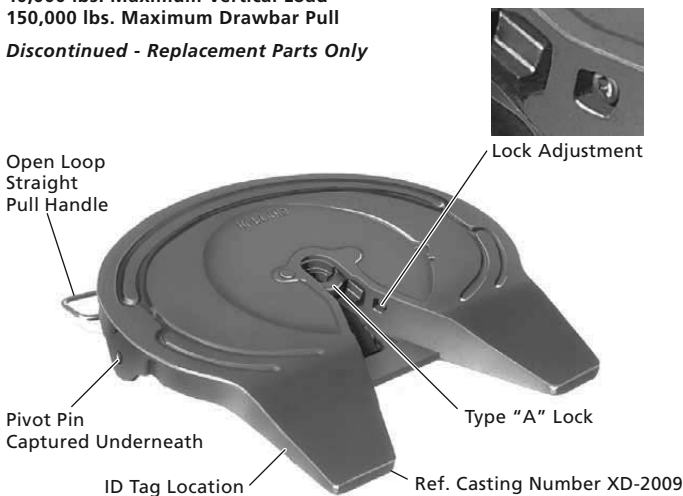
FW83

45,000 lbs. Maximum Vertical Load
150,000 lbs. Maximum Drawbar Pull
Discontinued - Replacement Parts Only



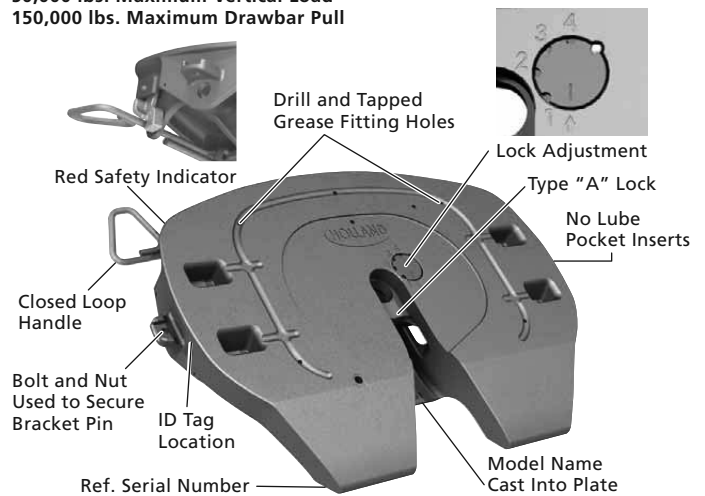
FW2000

40,000 lbs. Maximum Vertical Load
150,000 lbs. Maximum Drawbar Pull
Discontinued - Replacement Parts Only



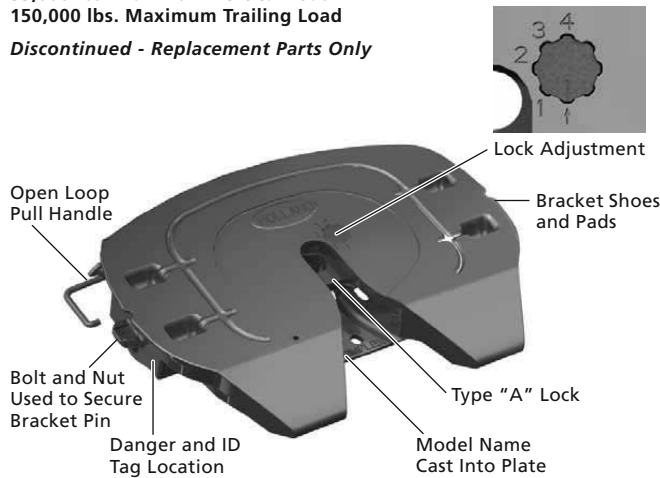
FWS1

50,000 lbs. Maximum Vertical Load
150,000 lbs. Maximum Drawbar Pull



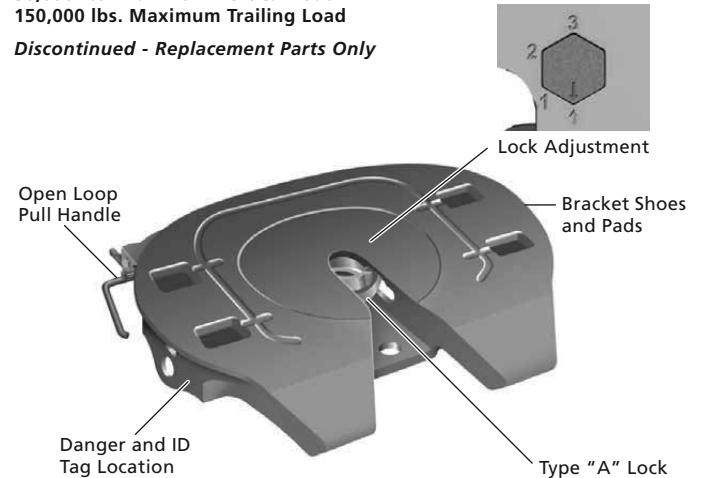
Simplex SE

55,000 lbs. Maximum Vertical Load
150,000 lbs. Maximum Trailing Load
Discontinued - Replacement Parts Only



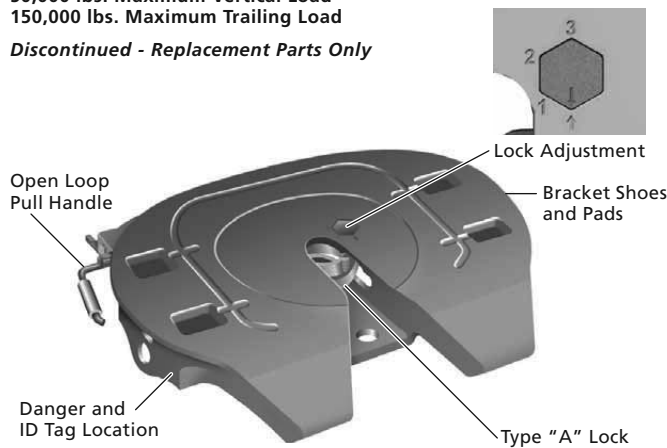
Simplex Lite Straight Pull

50,000 lbs. Maximum Vertical Load
150,000 lbs. Maximum Trailing Load
Discontinued - Replacement Parts Only



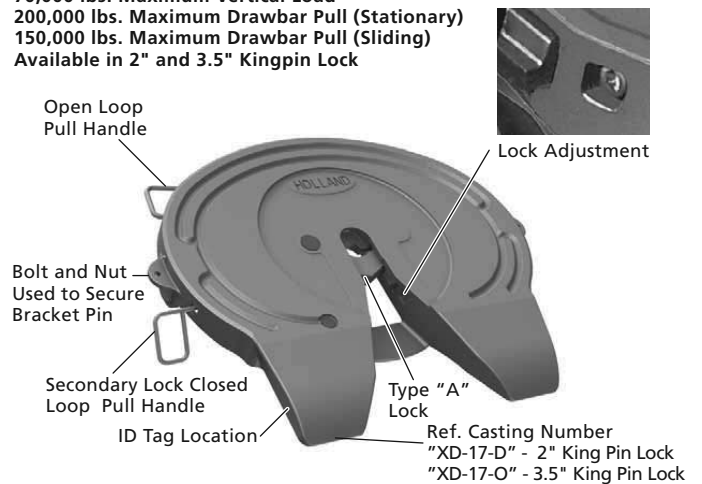
Simplex Lite Rotary

50,000 lbs. Maximum Vertical Load
150,000 lbs. Maximum Trailing Load
Discontinued - Replacement Parts Only



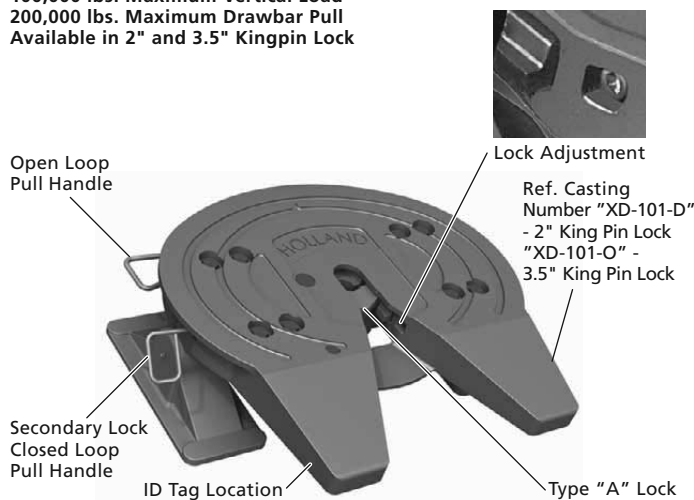
FW0070

70,000 lbs. Maximum Vertical Load
200,000 lbs. Maximum Drawbar Pull (Stationary)
150,000 lbs. Maximum Drawbar Pull (Sliding)
Available in 2" and 3.5" Kingpin Lock



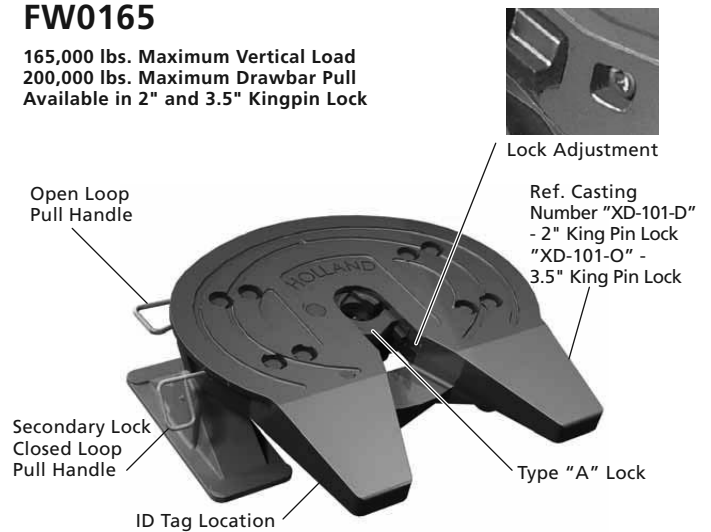
FW0100

100,000 lbs. Maximum Vertical Load
200,000 lbs. Maximum Drawbar Pull
Available in 2" and 3.5" Kingpin Lock



FW0165

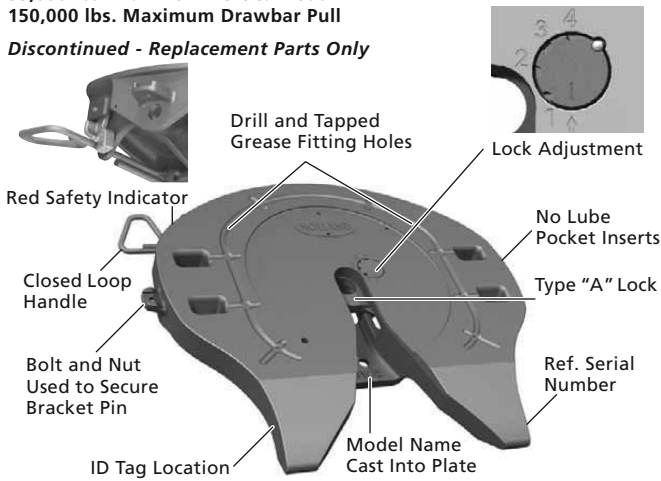
165,000 lbs. Maximum Vertical Load
200,000 lbs. Maximum Drawbar Pull
Available in 2" and 3.5" Kingpin Lock



FWS2

55,000 lbs. Maximum Vertical Load
150,000 lbs. Maximum Drawbar Pull

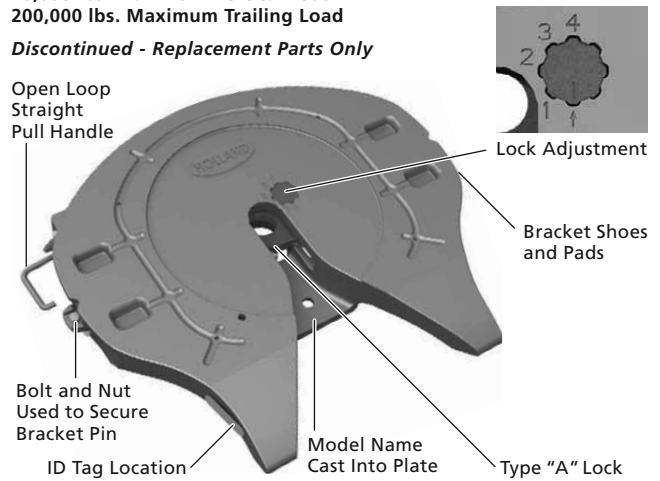
Discontinued - Replacement Parts Only



Simplex II SE

70,000 lbs. Maximum Vertical Load
200,000 lbs. Maximum Trailing Load

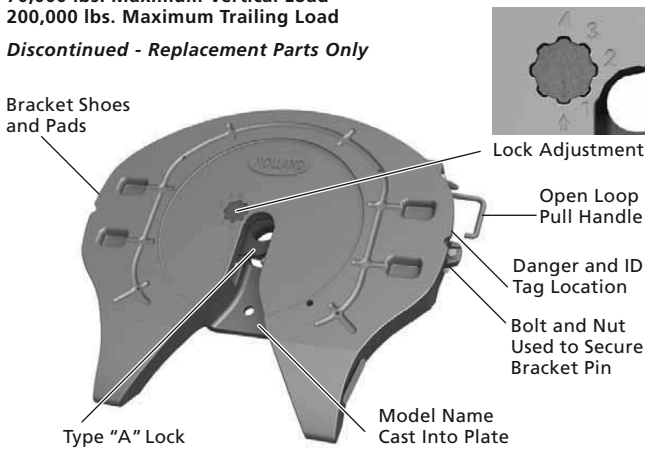
Discontinued - Replacement Parts Only



Simplex II SE RH

70,000 lbs. Maximum Vertical Load
200,000 lbs. Maximum Trailing Load

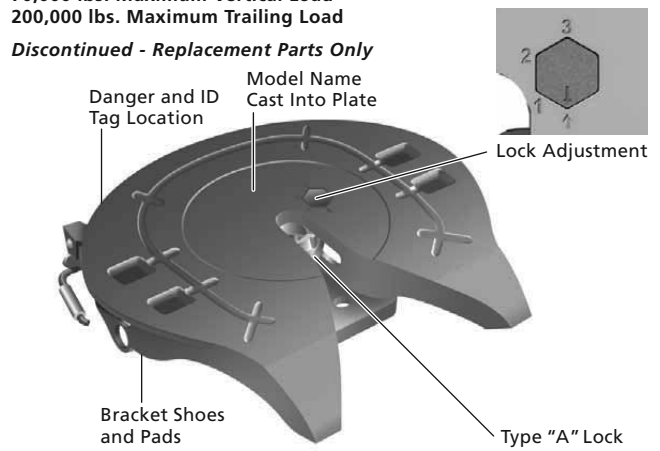
Discontinued - Replacement Parts Only



Simplex II

70,000 lbs. Maximum Vertical Load
200,000 lbs. Maximum Trailing Load

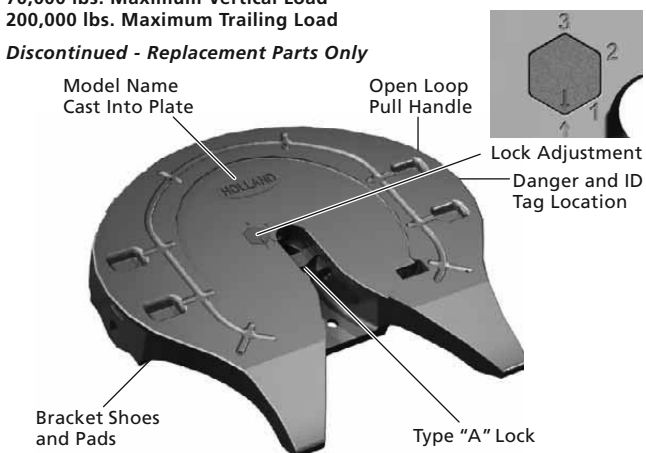
Discontinued - Replacement Parts Only



Simplex II RH

70,000 lbs. Maximum Vertical Load
200,000 lbs. Maximum Trailing Load

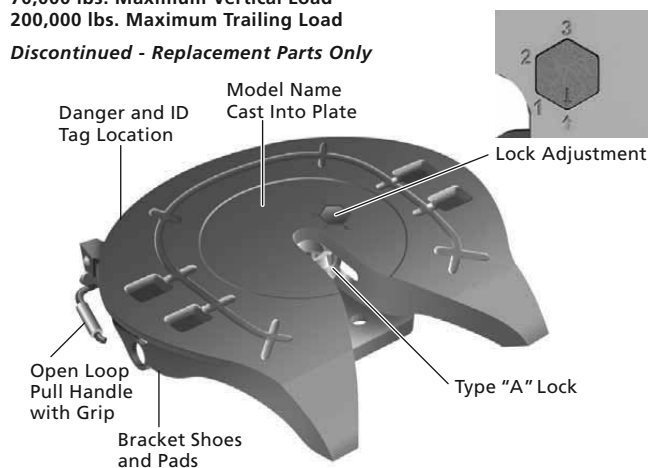
Discontinued - Replacement Parts Only



Simplex IIR Rotary Pull

70,000 lbs. Maximum Vertical Load
200,000 lbs. Maximum Trailing Load

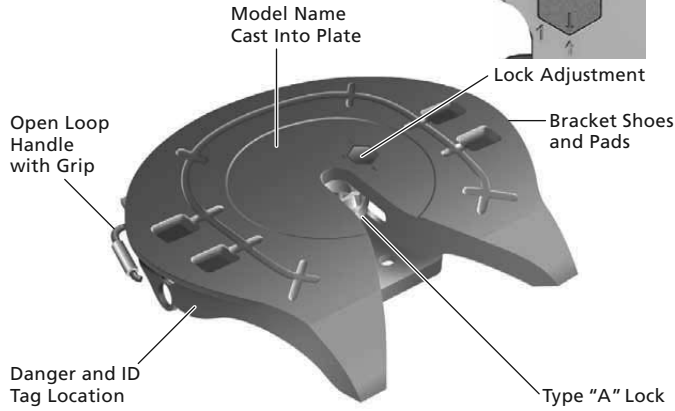
Discontinued - Replacement Parts Only



Castloc Rotary Pull

70,000 lbs. Maximum Vertical Load
200,000 lbs. Maximum Trailing Load

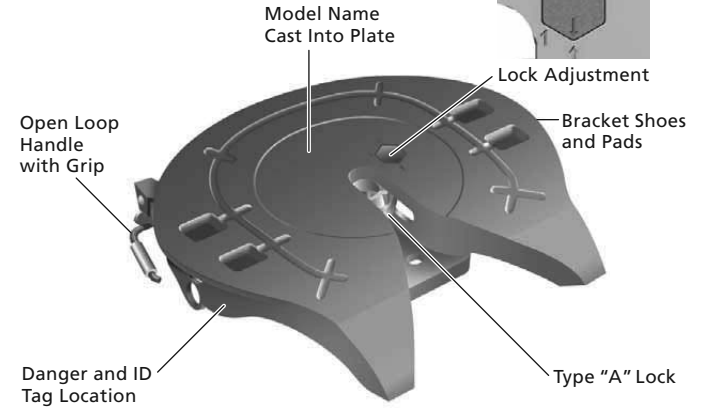
Discontinued - Replacement Parts Only



Castloc II Rotary Pull

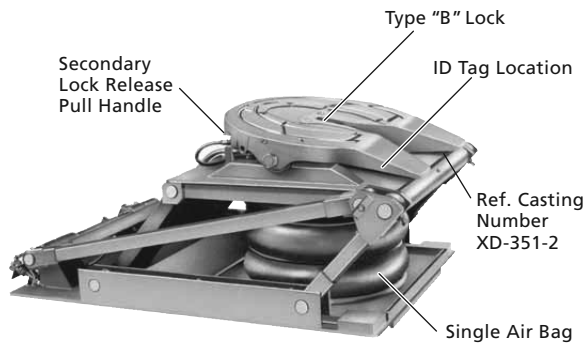
70,000 lbs. Maximum Vertical Load
200,000 lbs. Maximum Trailing Load

Discontinued - Replacement Parts Only



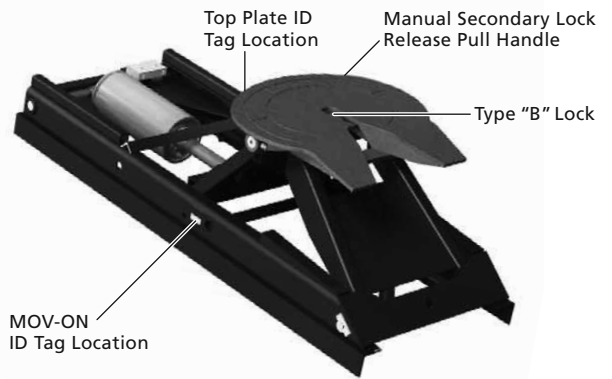
FW67 Air Elevating Lift

40,000 lbs. Maximum Vertical Lift



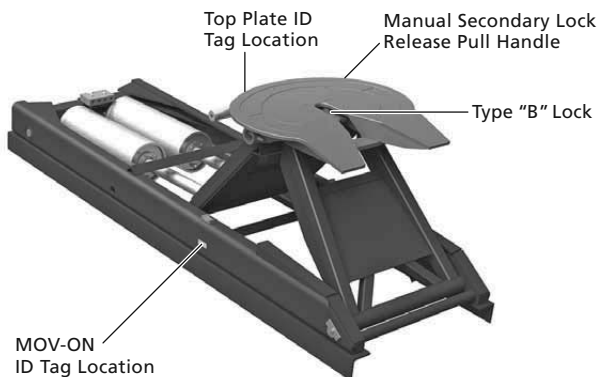
FW2800-X / 2900-X Hydraulic Elevating Lift

50,000 lbs. Maximum Vertical Lift
Single Cylinder



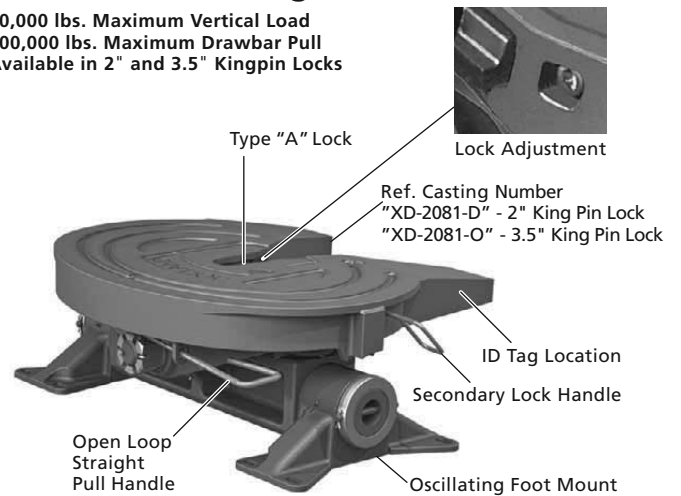
FW2800-5X / 2900-5X Hydraulic Elevating Lift

100,000 lbs. Maximum Vertical Lift
Twin Cylinder



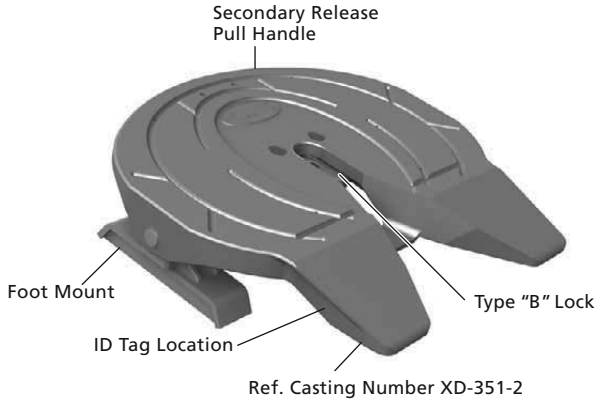
FW2080 Oscillating

70,000 lbs. Maximum Vertical Load
200,000 lbs. Maximum Drawbar Pull
Available in 2" and 3.5" Kingpin Locks



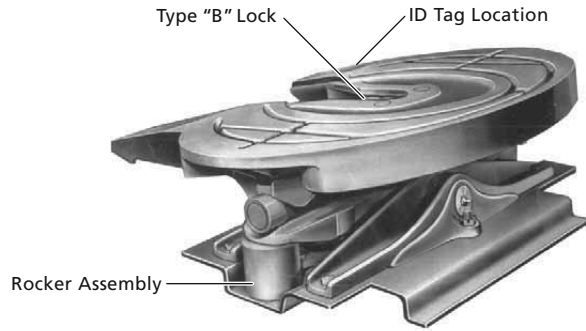
FW35-03344 Standard Duty Yard Spotter

70,000 lbs. Maximum Vertical Load



FW1560-C

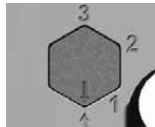
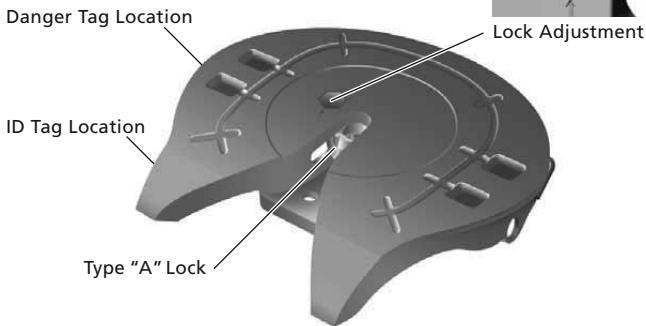
50,000 lbs. Maximum Vertical Load



Simplex Yard Spotter Standard Capacity

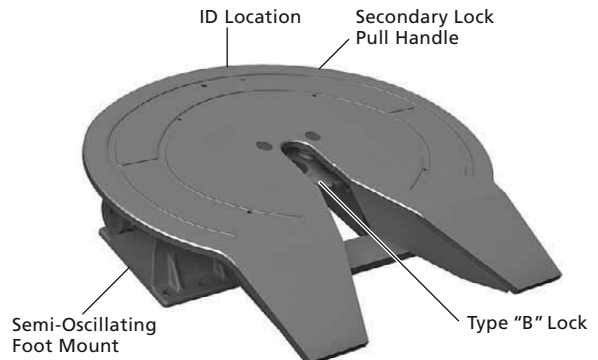
70,000 lbs. Maximum Vertical Load
200,000 lbs. Maximum Trailing Load

Discontinued - Replacement Parts Only



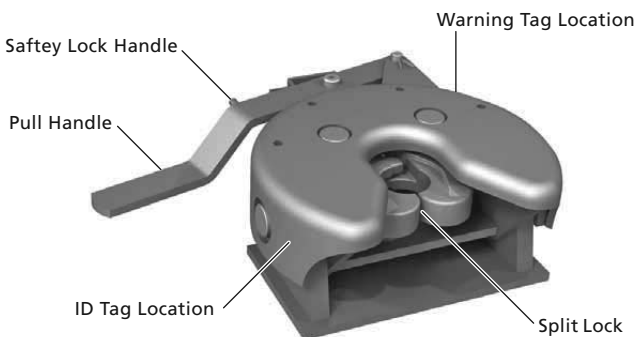
FW2870-03148 Semi-Oscillating Extra Capacity Yard Spotter

100,000 lbs. Maximum Vertical Load



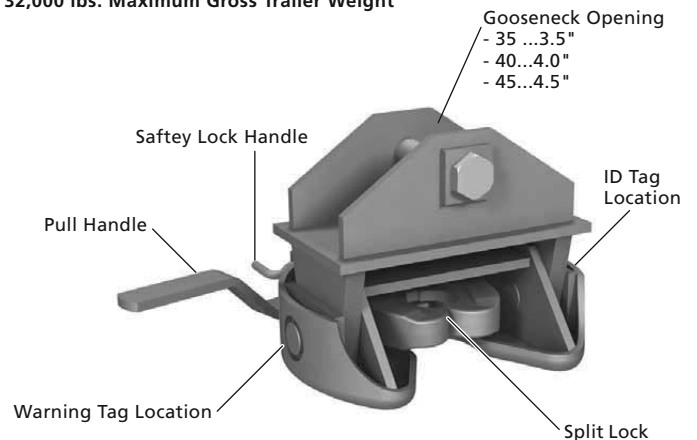
FW0001

8,000 lbs. Maximum Vertical Load
32,000 lbs. Maximum Gross Trailer Weight



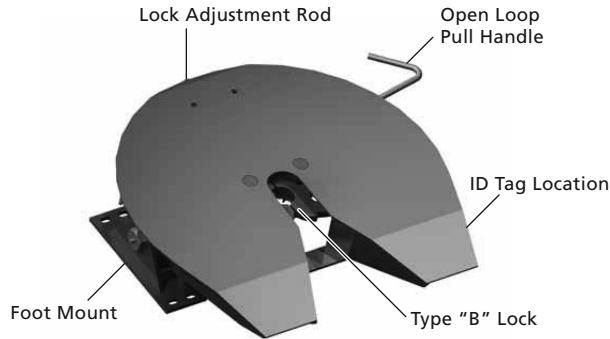
FW0002-35/-40/-45

8,000 lbs. Maximum Vertical Load
32,000 lbs. Maximum Gross Trailer Weight



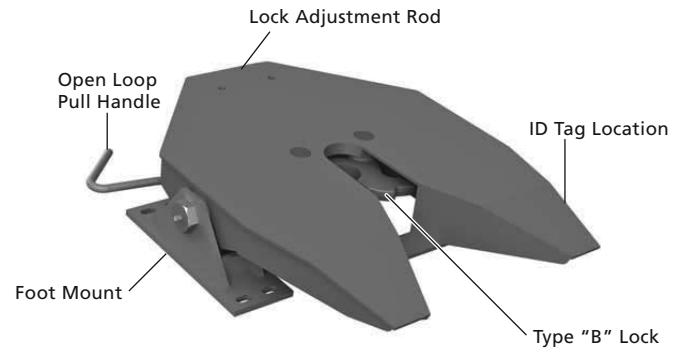
FW1900

20,000 lbs. Maximum Vertical Load
40,000 lbs. Maximum Drawbar Pull



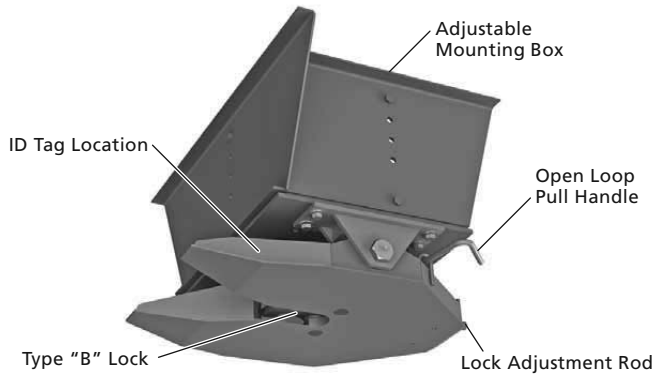
FW6000 Foot Mount

12,000 lbs. Maximum Vertical Load
32,000 lbs. Maximum Gross Trailer Weight



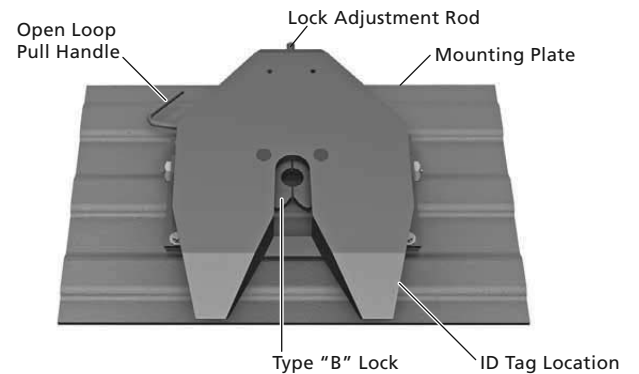
FW6000-10 with Adjustable Mounting Box

12,000 lbs. Maximum Vertical Load
32,000 lbs. Maximum Gross Trailer Weight



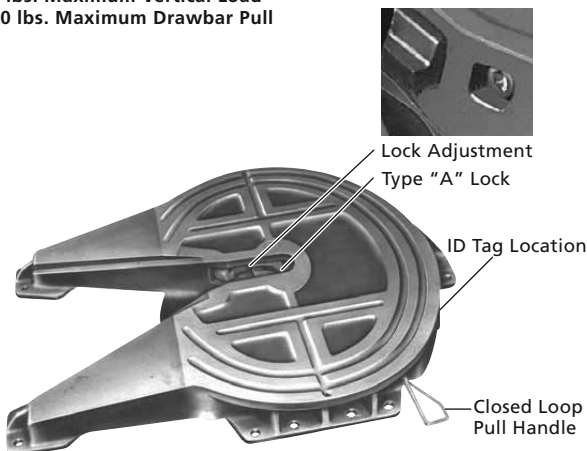
FW6000-20 with Mounting Box

12,000 lbs. Maximum Vertical Load
32,000 lbs. Maximum Gross Trailer Weight



FW1226

40,000 lbs. Maximum Vertical Load
150,000 lbs. Maximum Drawbar Pull



Simplex 400C

70,000 lbs. Maximum Vertical Load
200,000 lbs. Maximum Trailing Load

Discontinued - Replacement Parts Only

