

CORE SORTING INSTRUCTION



ECO LOGICAL
NOMICAL



WABCO
REMAN SOLUTIONS

General information

Cores Groups

• Air Compressor.....	<u>3</u>
• Air Dryer.....	<u>23</u>
• HPB - Hydraulic Power Brake.....	<u>36</u>
• TCSII - Trailer Modulator & ECU.....	<u>49</u>
• Valves.....	<u>56</u>
• Relay valve.....	<u>61</u>
• Rear Modulator.....	<u>63</u>

Core Acceptance Criteria

- Core must be complete, assembled, and in “as removed” condition.
- The core shall include all parts included on the replacement remanufactured unit.
- The core shall not be damaged by fire, water (evidence of water in oil) or poor handling.
- Core must be drained from oil, cooling liquid, etc.
- Copies or non original products will not be accepted.

AIR COMPRESSOR



Acceptable part numbers

Air Compressor

Core Part Number	Accepted WABCO Part Number
411 141 000 9	411 141 xxx 0
	411 141 xxx 7
	411 141 xxx R
411 141 506 9	411 141 506 0
	411 141 506 7
	411 141 506 R
412 352 025 9	412 352 025 0
	412 352 025 7
	412 352 025 R
412 704 008 9	412 704 008 0
	413 704 008 R
	414 704 008 7
910 153 055 9	911 153 055 0
	912 153 055 R
	913 153 055 7
911 153 056 9	911 153 056 0
	912 153 056 7
	913 153 056 R
911 154 518 9	911 154 518 0
	911 154 518 7
	911 154 518 R

Core Part Number	Accepted WABCO Part Number
911 515 005 9	911 515 005 0
	911 515 005 7
	911 515 005 R
	911 515 008 0
	911 515 008 7
	911 515 008 R
912 125 000 9	912 125 000 0
	912 125 000 7
	912 125 000 R
912 142 001 9	912 142 000 0
	912 142 000 7
	912 142 000 R
	912 142 001 0
	912 142 001 7
	912 142 001 R
	912 142 002 0
	912 142 002 7
912 142 002 R	
912 218 000 9	912 218 000 0
	912 218 000 7
	912 218 000 R
	912 218 002 0
	912 218 002 7
912 218 001 9	912 218 002 R
	912 218 001 0
	912 218 001 7
912 218 001 9	912 218 001 R

To collect and scrap

x = any number or letter

Acceptable part numbers

Air Compressor

Core Part Number	Accepted WABCO Part Number
912 512 029 9	912 512 002 0
	912 512 002 7
	912 512 002 R
	912 512 008 0
	912 512 008 7
	912 512 029 0
	912 512 029 7
	912 512 029 R
	912 514 003 0
	912 514 003 7
	912 514 004 0
	912 514 004 7
	912 514 009 0
	912 514 009 7
	912 542 002 0
	912 542 002 7
	912 542 007 0
	912 542 007 7
	912 551 002 0
	912 551 002 7
	912 551 006 0
	912 551 006 7

Core Part Number	Accepted WABCO Part Number
912 512 030 9	912 512 028 0
	912 512 028 7
	912 512 030 0
	912 512 030 7
	912 512 033 0
	912 512 033 7
	912 512 033 R
	912 514 013 0
	912 514 013 7
	912 542 011 0
	912 542 011 7
912 518 106 9	912 551 010 0
	912 551 010 7
	912 518 106 0
	912 518 106 7
	912 518 106 R
	913 518 107 0
	913 518 107 7
	913 518 107 R
	915 518 111 0
	915 518 111 7
915 518 111 R	
912 518 108 9	912 518 105 0
	912 518 105 7
	912 518 105 R
	912 518 108 0
	912 518 108 7
	912 518 108 R
	912 518 112 0
	912 518 112 7
912 518 112 R	

Cores not accepted

Air Compressor

- Compressors with vented crankcases will not be acceptable for remanufacturing.

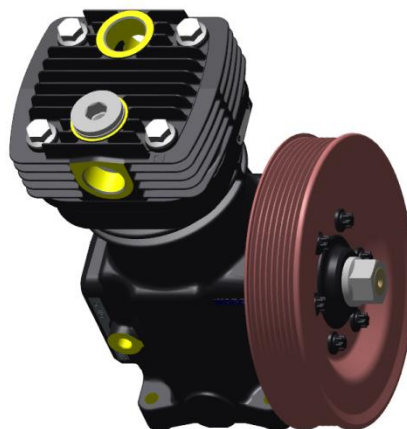


Sorting guidelines

Air Compressor

Core Part Number
411 141 000 9

- 1) Single cylinder compressor
- 2) Crankcase casting number 411 140 011 6



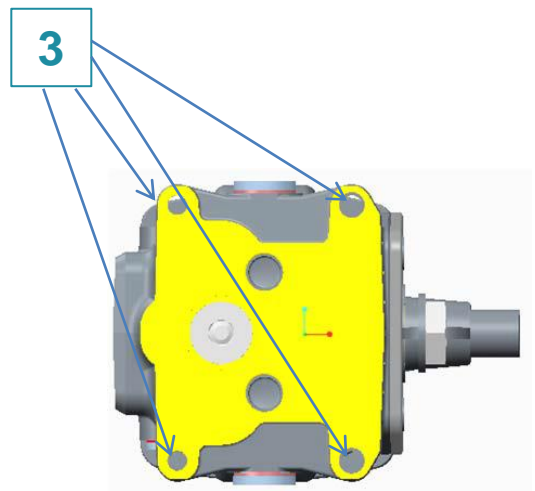
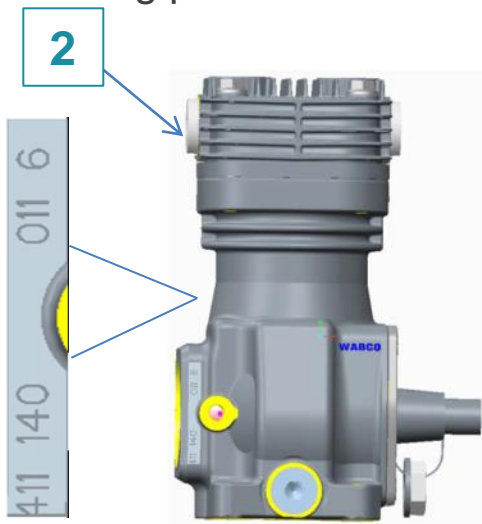
Sorting guidelines

Air Compressor

Core Part Number
411 141 506 9

AGCO 31251– Single Cylinder

- 1) Single cylinder compressor
- 2) Crankcase casting number 411 140 011 6
! The same as for previous Core PN 411 141 000 9
- 3) 4 Hole base mount
- 4) Oil hole
- 5) Data tag part numbers

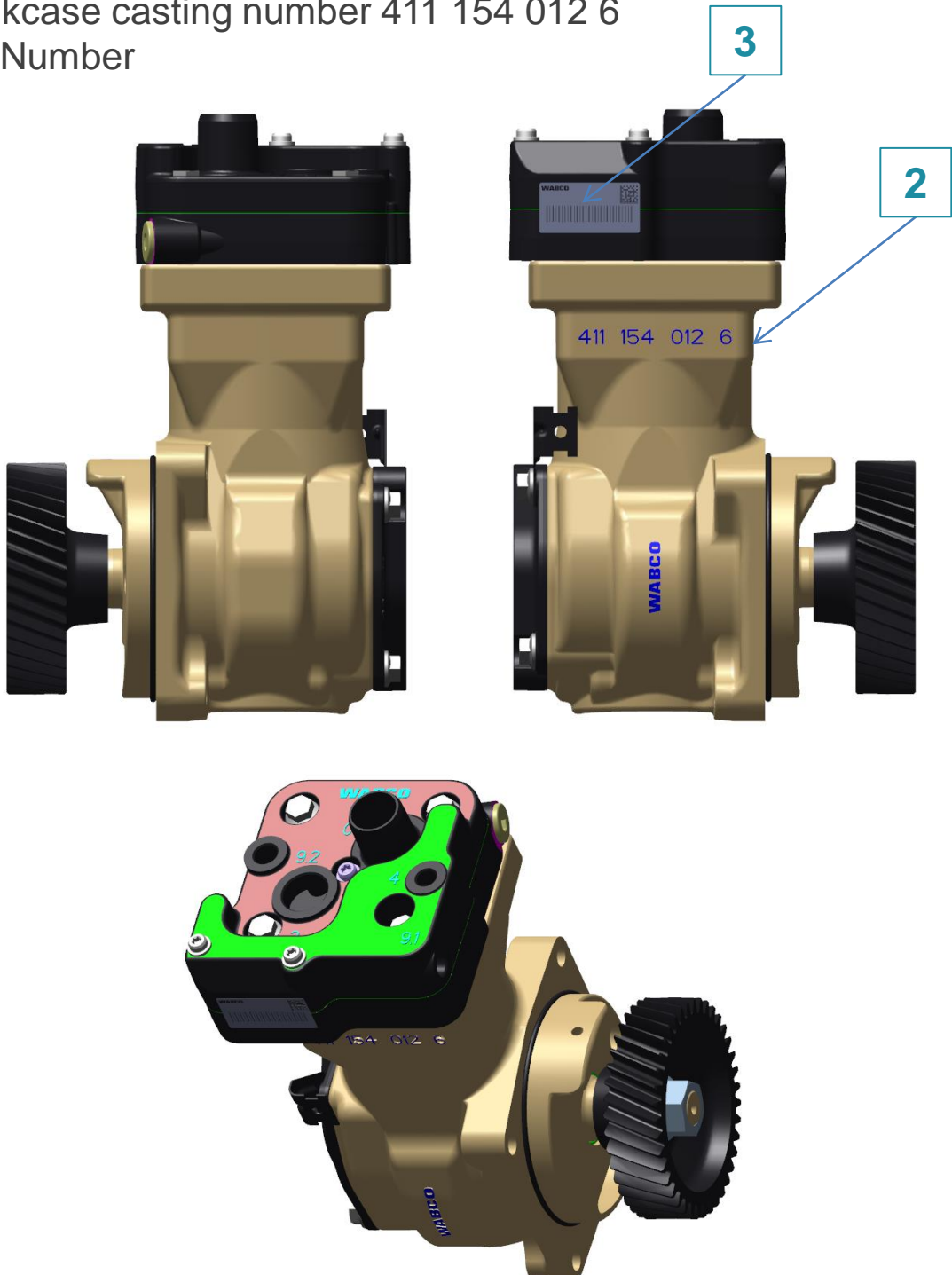


Sorting guidelines

Air Compressor

Core Part Number
412 352 025 9

- 1) Single cylinder compressor
- 2) Crankcase casting number 411 154 012 6
- 3) Part Number



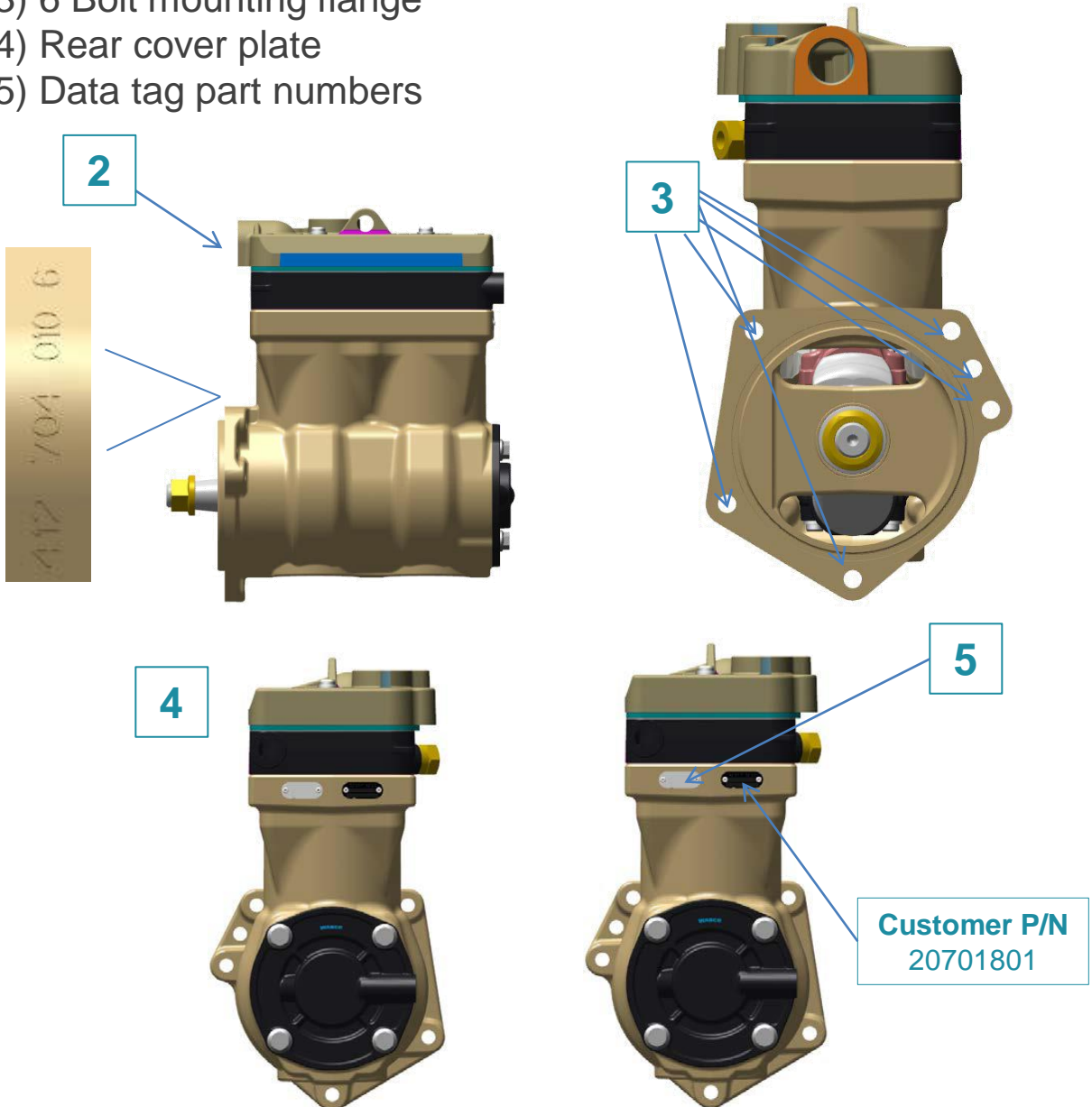
Sorting guidelines

Air Compressor

Core Part Number
412 704 008 9

Volvo – Twin Cylinder

- 1) Twin cylinder compressor
- 2) Crankcase casting number 412 704 010 6
- 3) 6 Bolt mounting flange
- 4) Rear cover plate
- 5) Data tag part numbers



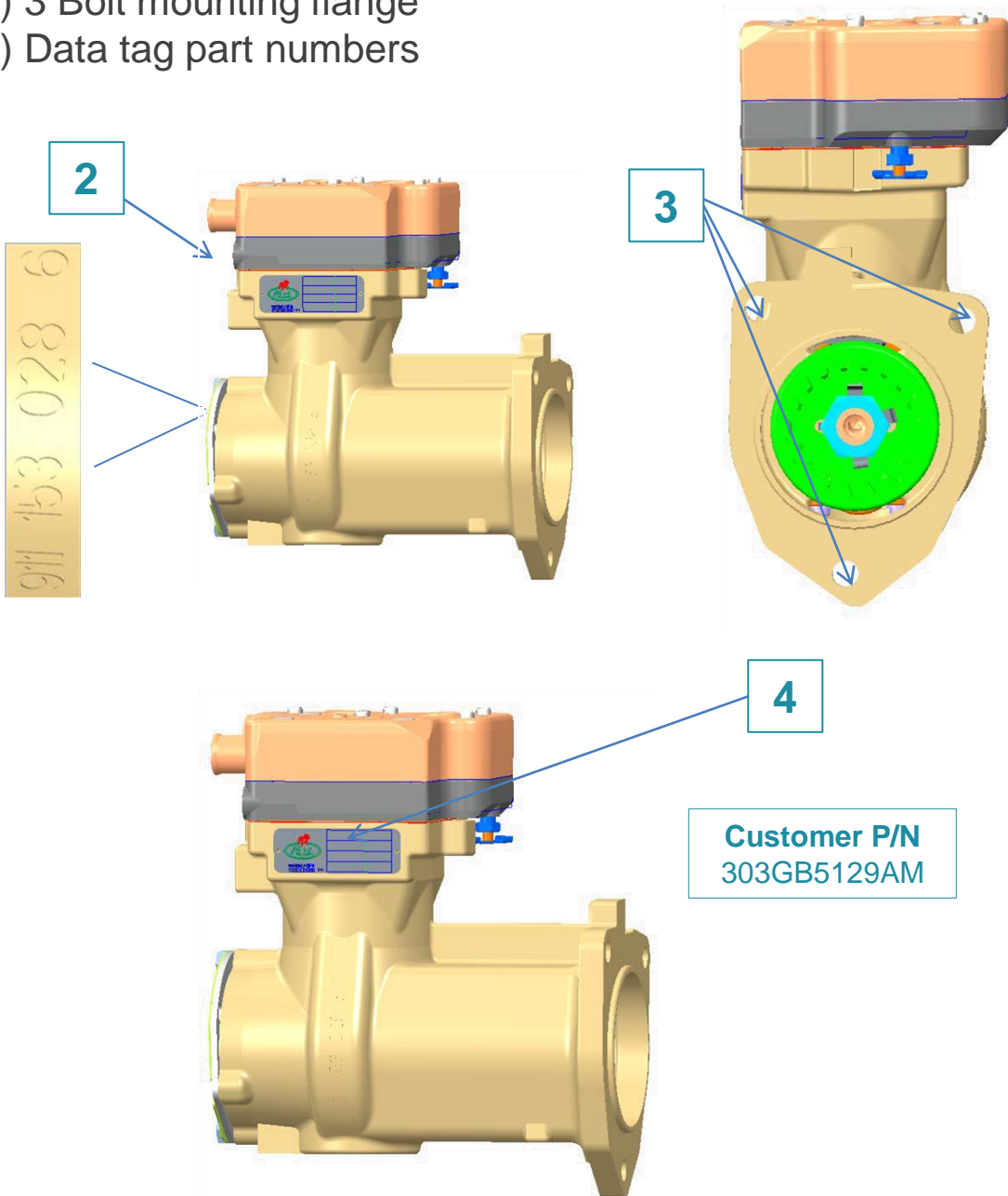
Sorting guidelines

Air Compressor

Core Part Number
911 153 055 9

Mack Thru Drive

- 1) Single Cylinder Compressor
- 2) Crankcase casting number 911 153 028 6
- 3) 3 Bolt mounting flange
- 4) Data tag part numbers



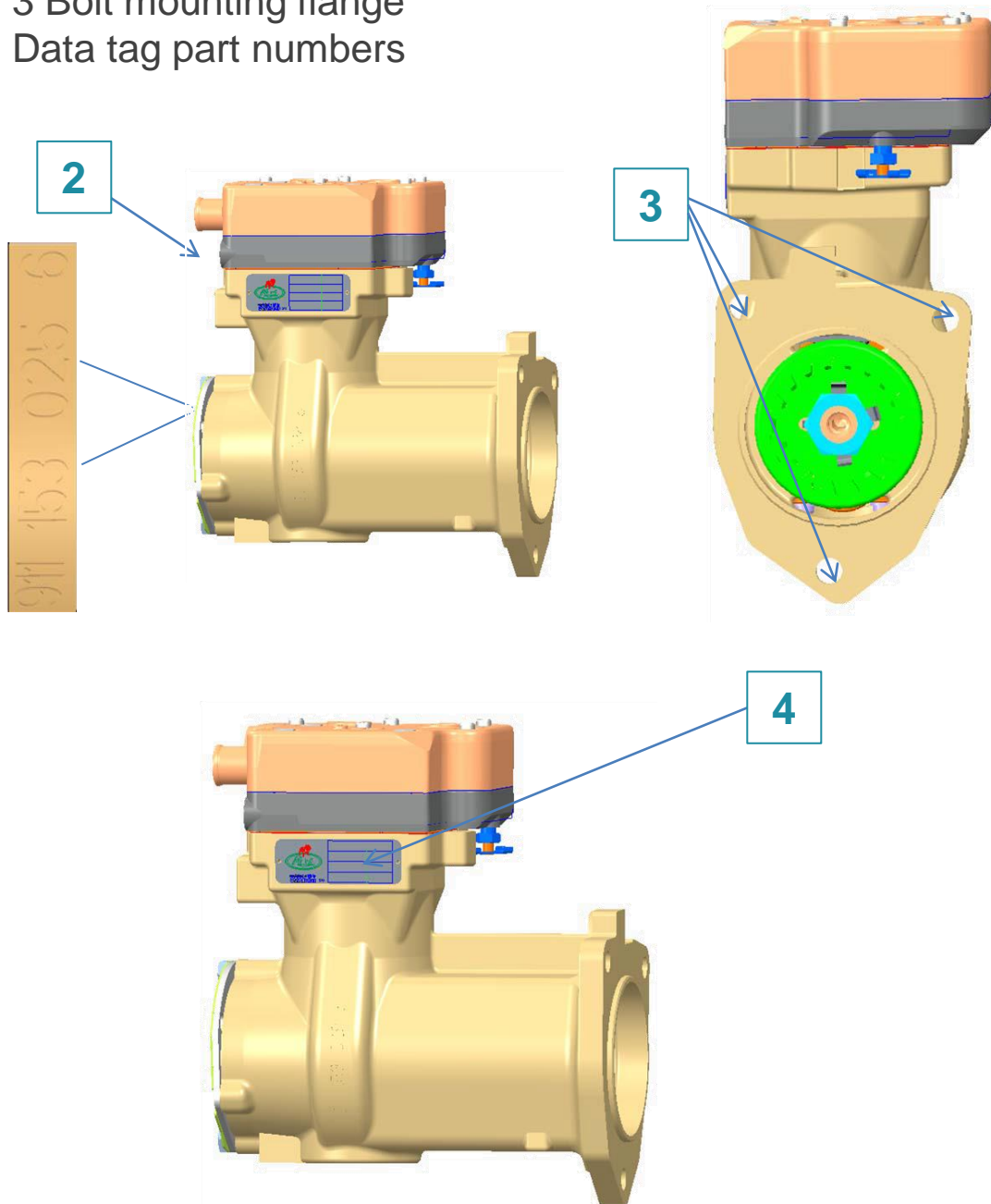
Sorting guidelines

Air Compressor

Core Part Number
911 153 056 9

Mack Non - Thru Drive

- 1) Single Cylinder Compressor
- 2) Crankcase casting number 911 153 025 6
- 3) 3 Bolt mounting flange
- 4) Data tag part numbers

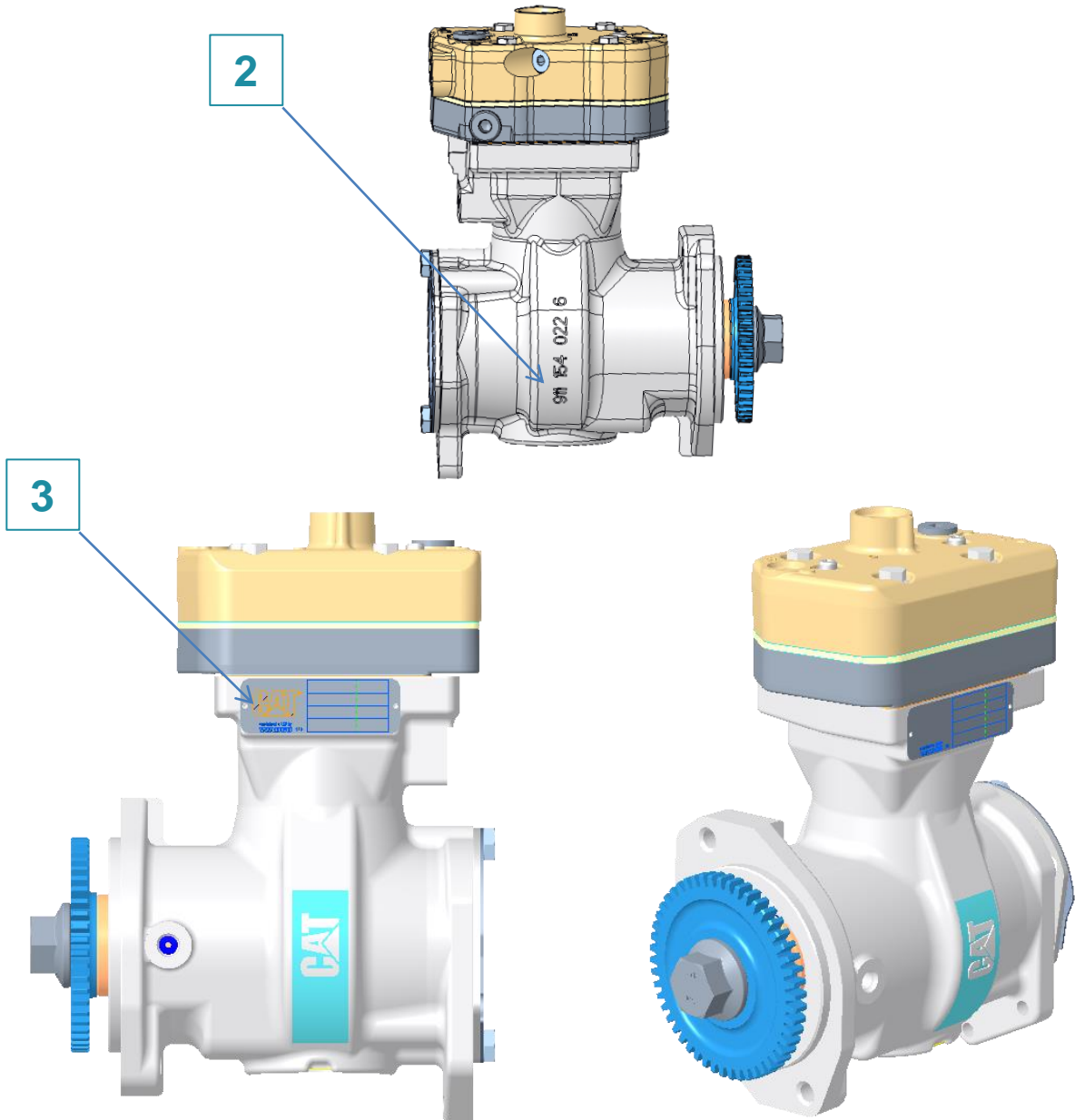


Sorting guidelines

Air Compressor

Core Part Number
911 154 518 9

- 1) Single Cylinder Compressor
- 2) Crankcase casting number 911 154 022 6
- 3) CAT logo

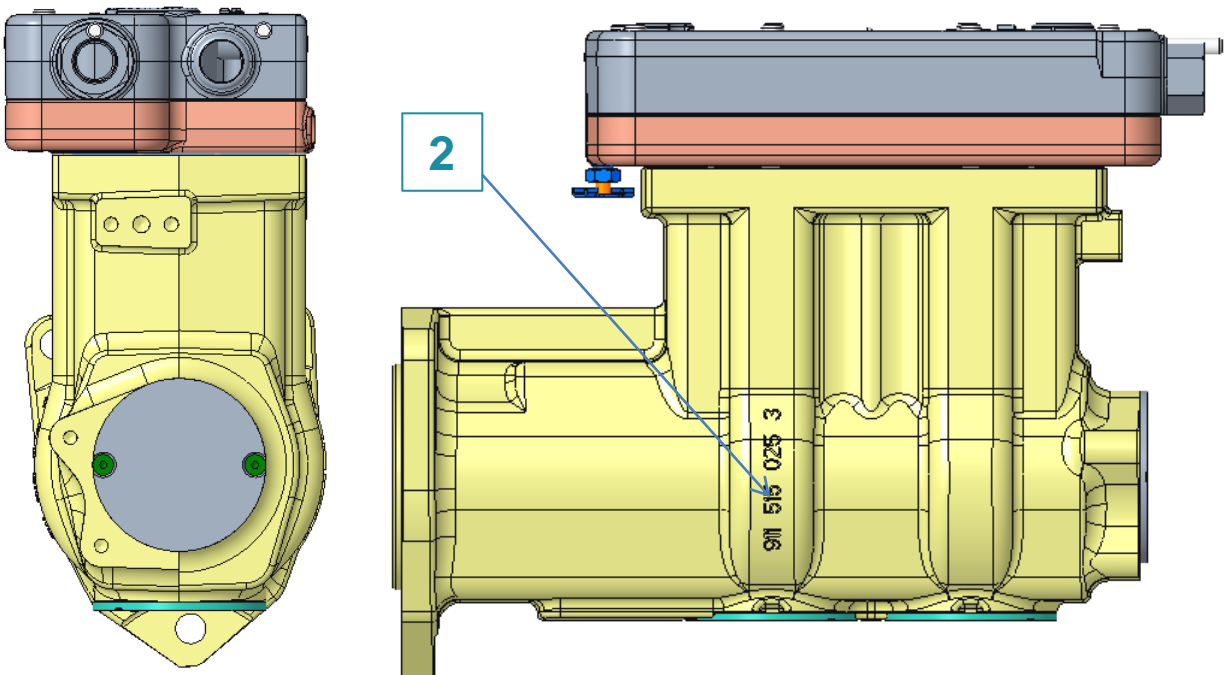
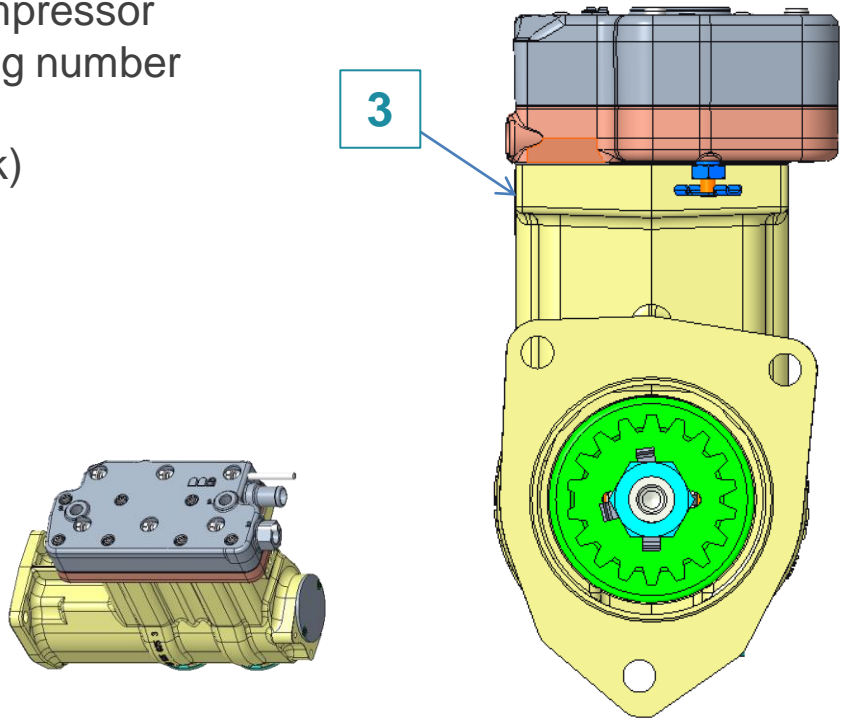


Sorting guidelines

Air Compressor

Core Part Number
911 515 005 9

- 1) Twin cylinder compressor
- 2) Crankcase casting number
911 515 025 3
- 3) Nameplate (Mack)

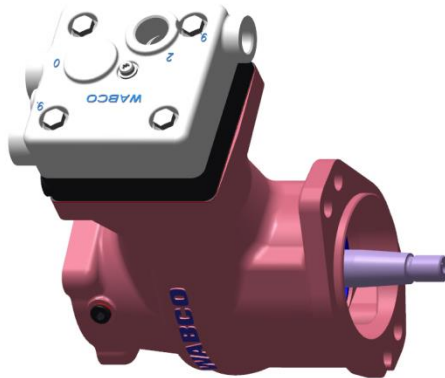


Sorting guidelines

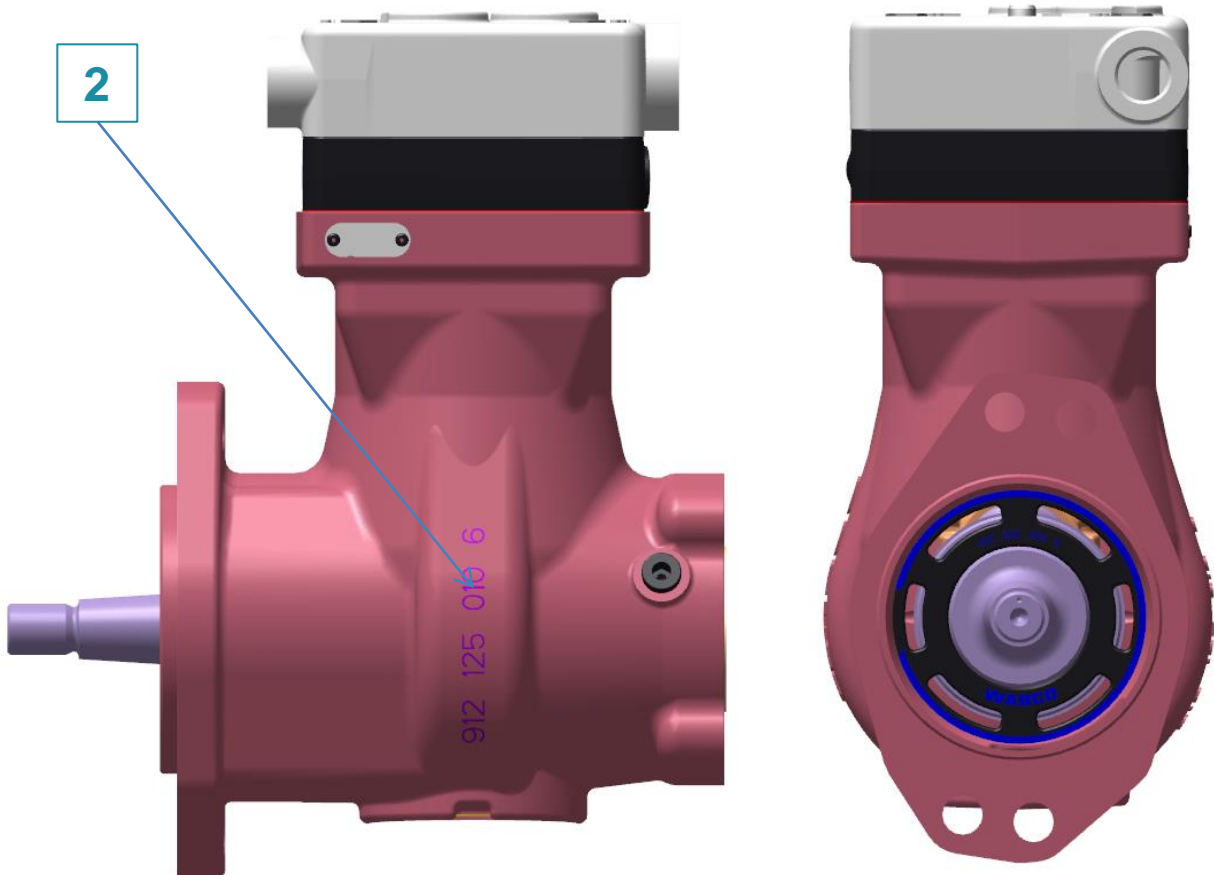
Air Compressor

Core Part Number
912 125 000 9

- 1) Single Cylinder Compressor
- 2) Crankcase casting number 912 125 010 6
- 3) Nameplate



2



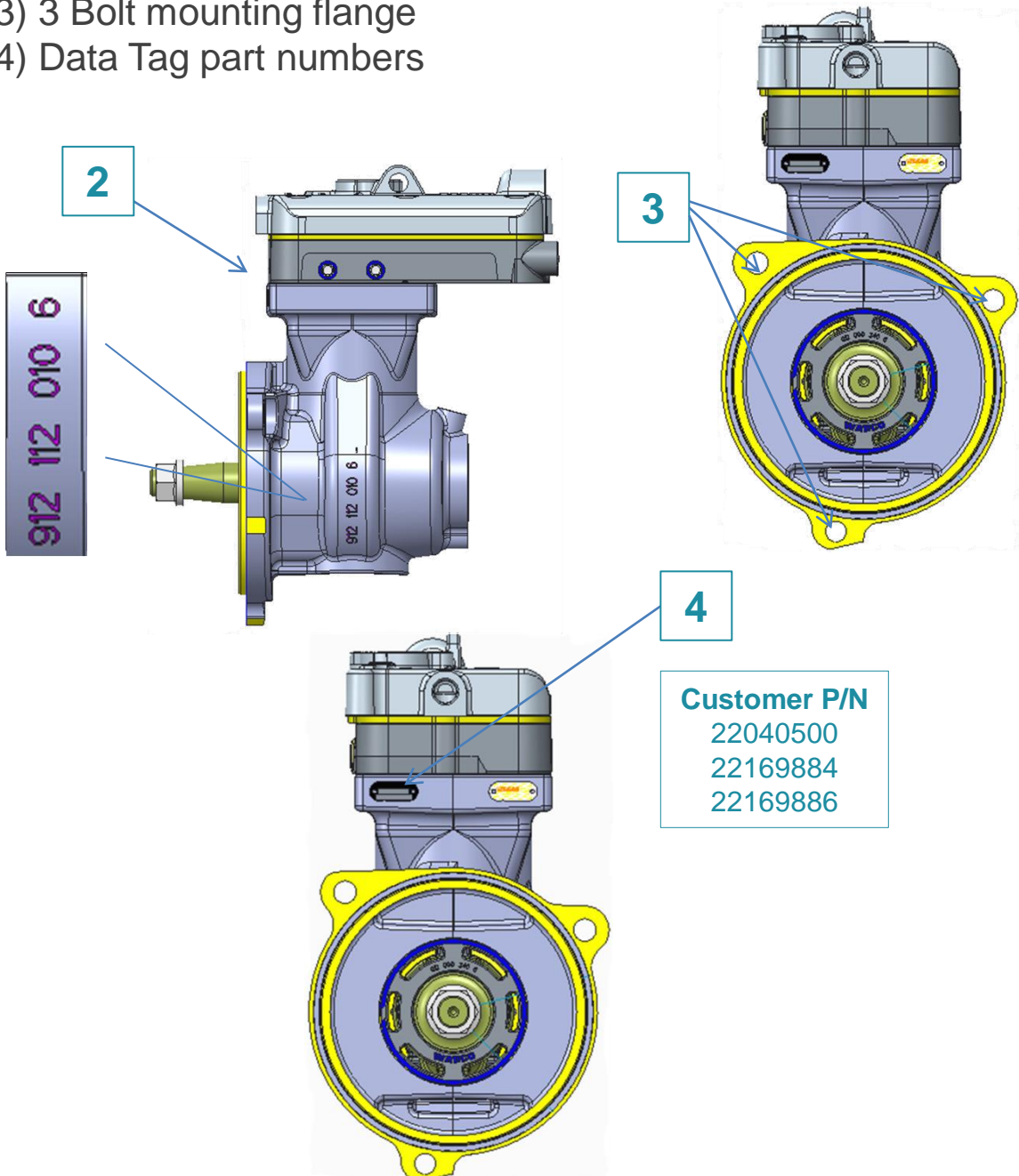
Sorting guidelines

Air Compressor

Core Part Number
912 142 001 9

Mack – Single Cylinder

- 1) Single Cylinder Compressor
- 2) Crankcase casting number 912 112 010 6
- 3) 3 Bolt mounting flange
- 4) Data Tag part numbers



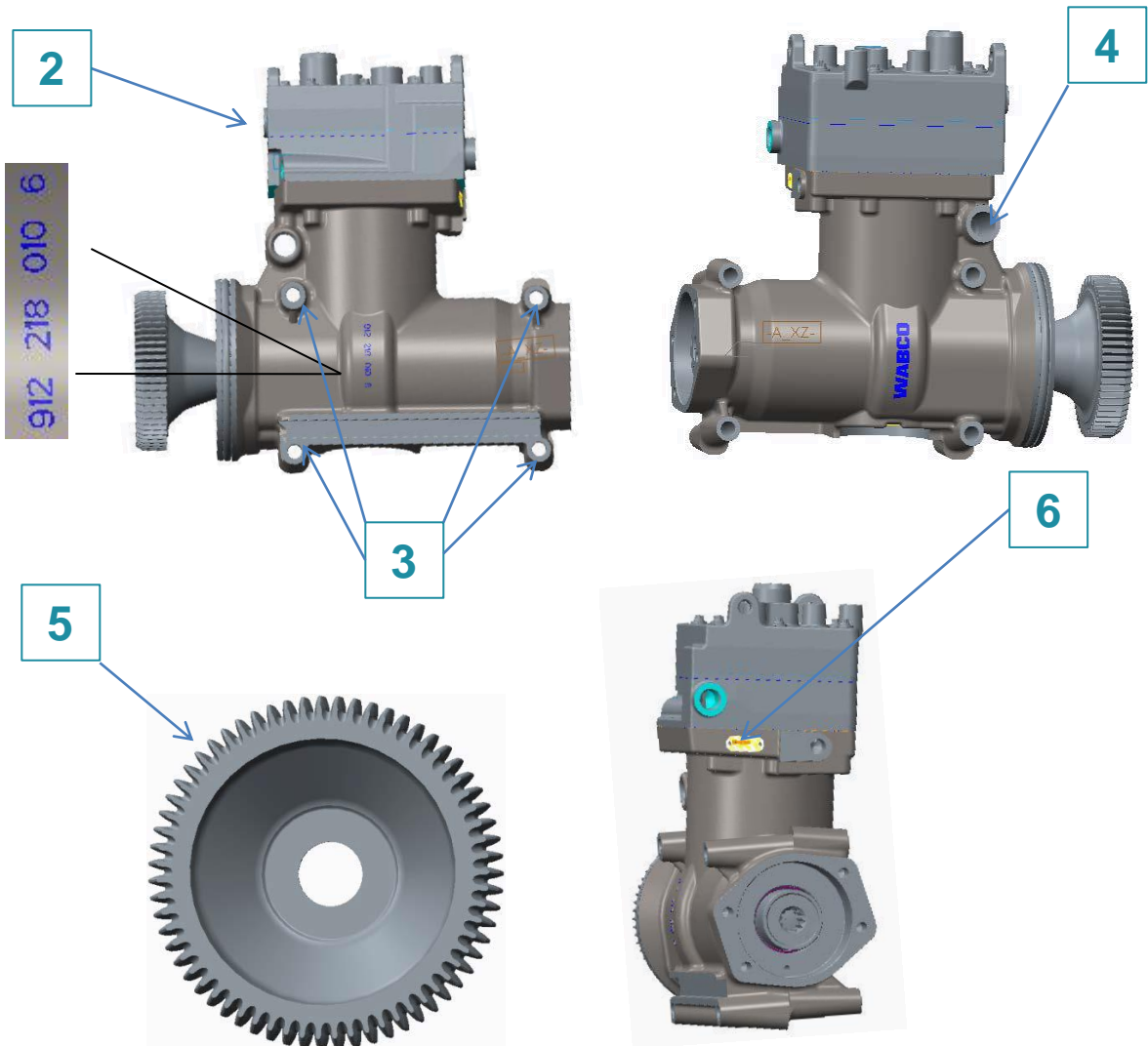
Sorting guidelines

Air Compressor

Core Part Number
912 218 000 9

Paccar MX13 – Single Cylinder

- 1) Single cylinder compressor
- 2) Crankcase casting number 912 218 010 6
- 3) 4 Hole side mount
- 4) Oil hole
- 5) 63 Tooth drive gear
- 6) Data tag part numbers



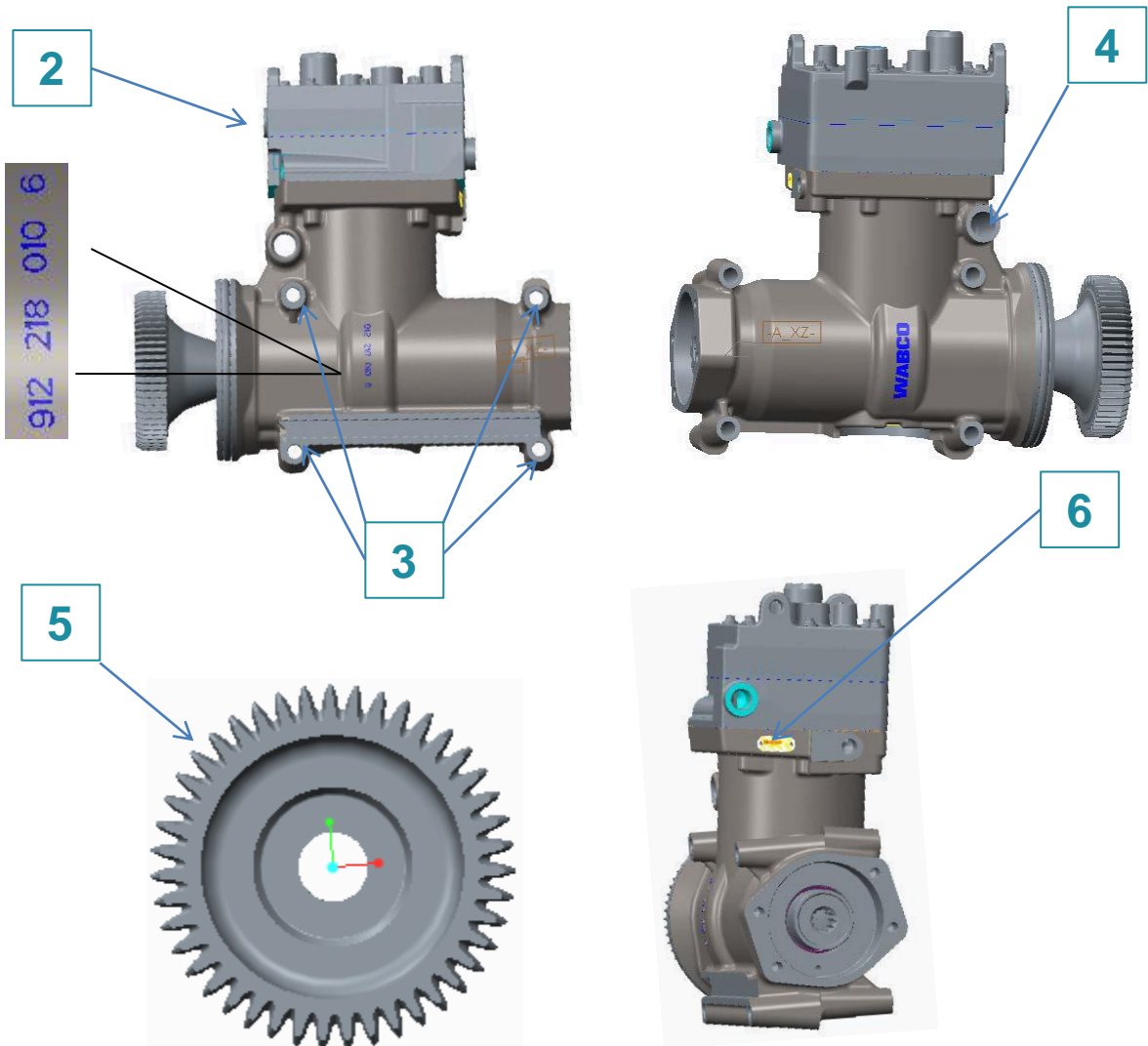
Sorting guidelines

Air Compressor

Core Part Number
912 218 001 9

Paccar MX11 – Single Cylinder

- 1) Single cylinder compressor
- 2) Crankcase casting number 912 218 010 6
- 3) 4 Hole side mount
- 4) Oil hole
- 5) 43 Tooth drive gear
- 6) Data tag part numbers



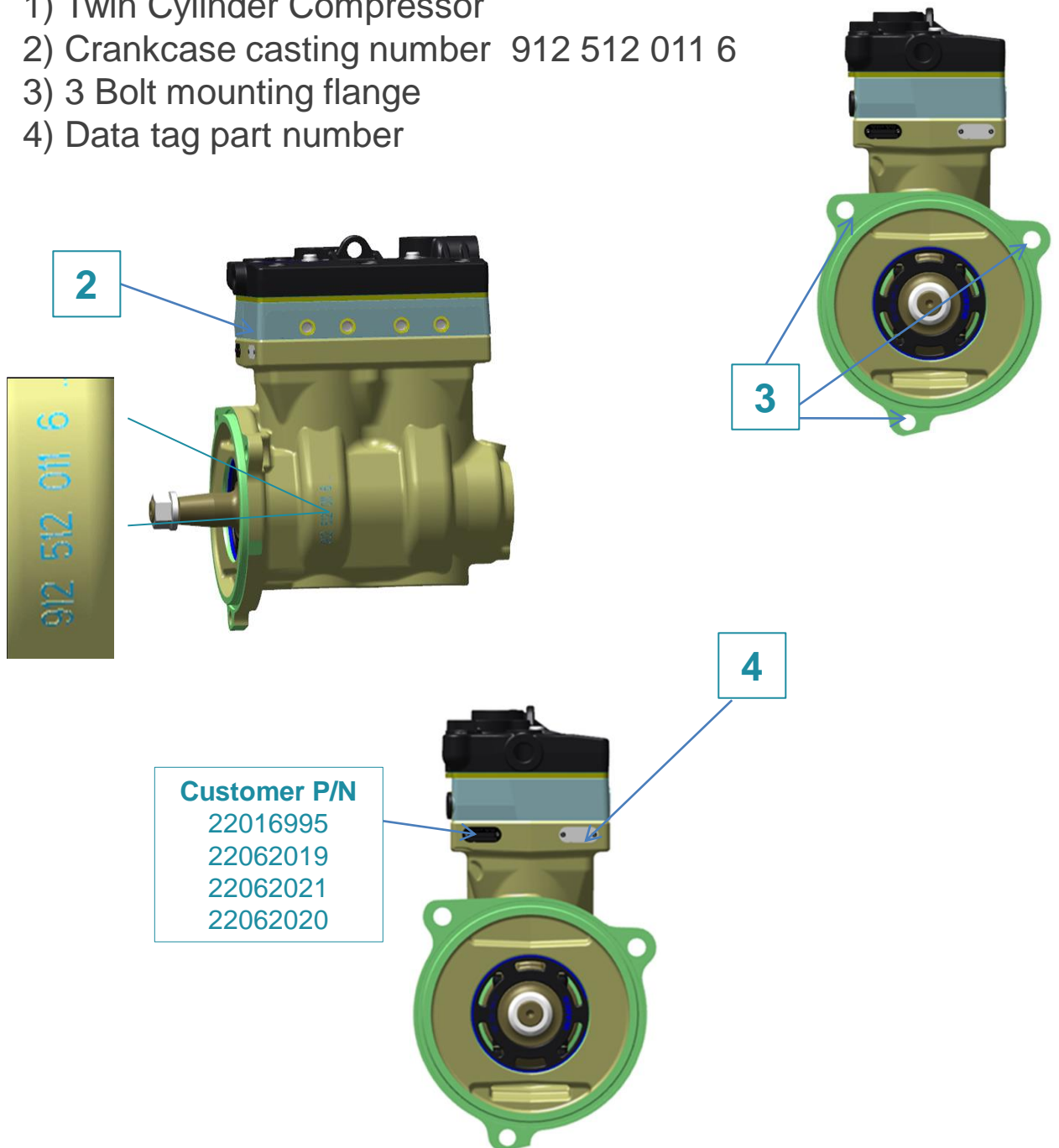
Sorting guidelines

Air Compressor

Core Part Number
912 512 029 9

Volvo – Twin Cylinder

- 1) Twin Cylinder Compressor
- 2) Crankcase casting number 912 512 011 6
- 3) 3 Bolt mounting flange
- 4) Data tag part number



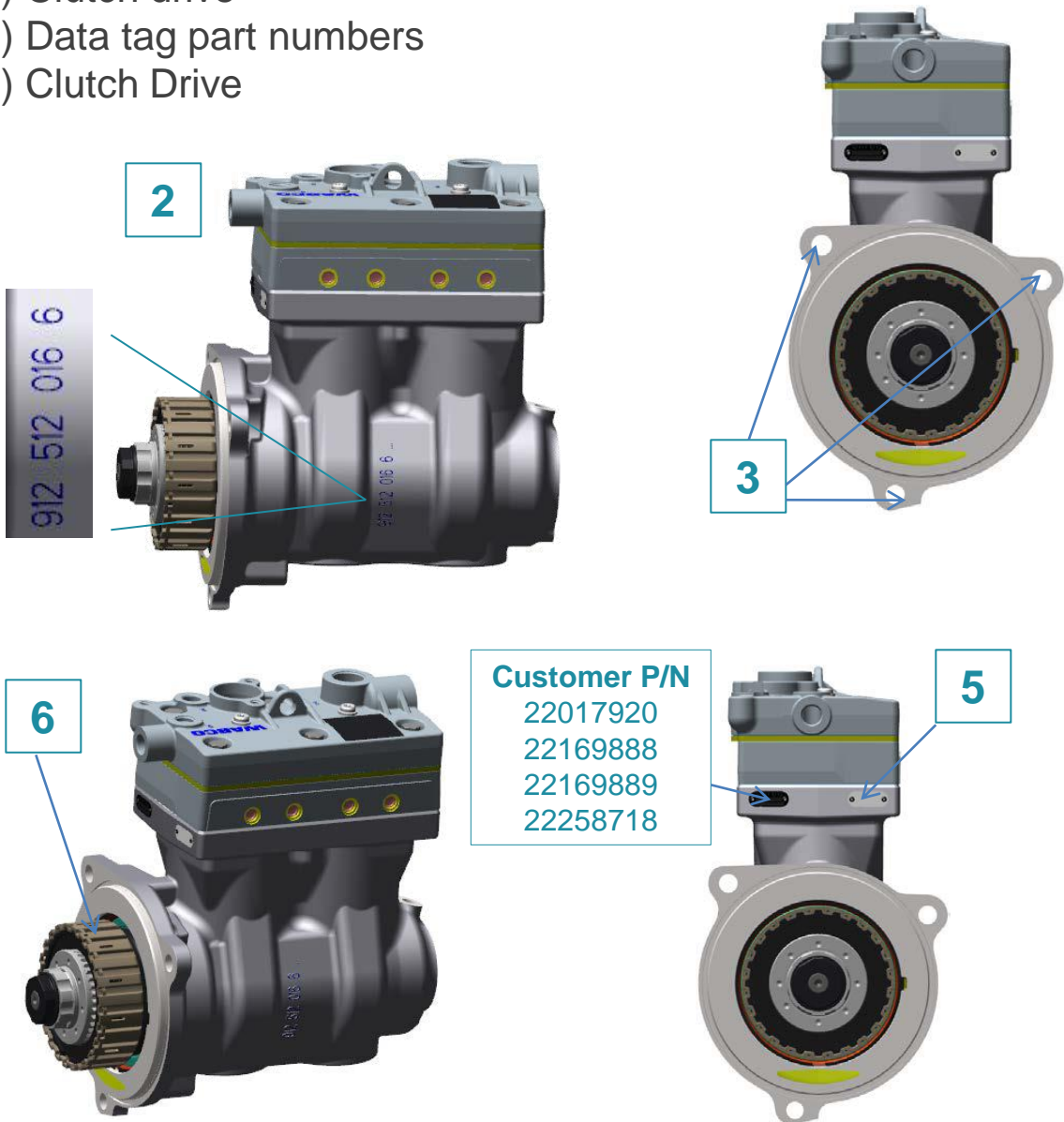
Sorting guidelines

Air Compressor

Core Part Number
912 512 030 9

Volvo – Twin Cylinder

- 1) Twin cylinder compressor
- 2) Crankcase casting number 912 512 016 6
- 3) 3 Bolt mounting flange
- 4) Clutch drive
- 5) Data tag part numbers
- 6) Clutch Drive



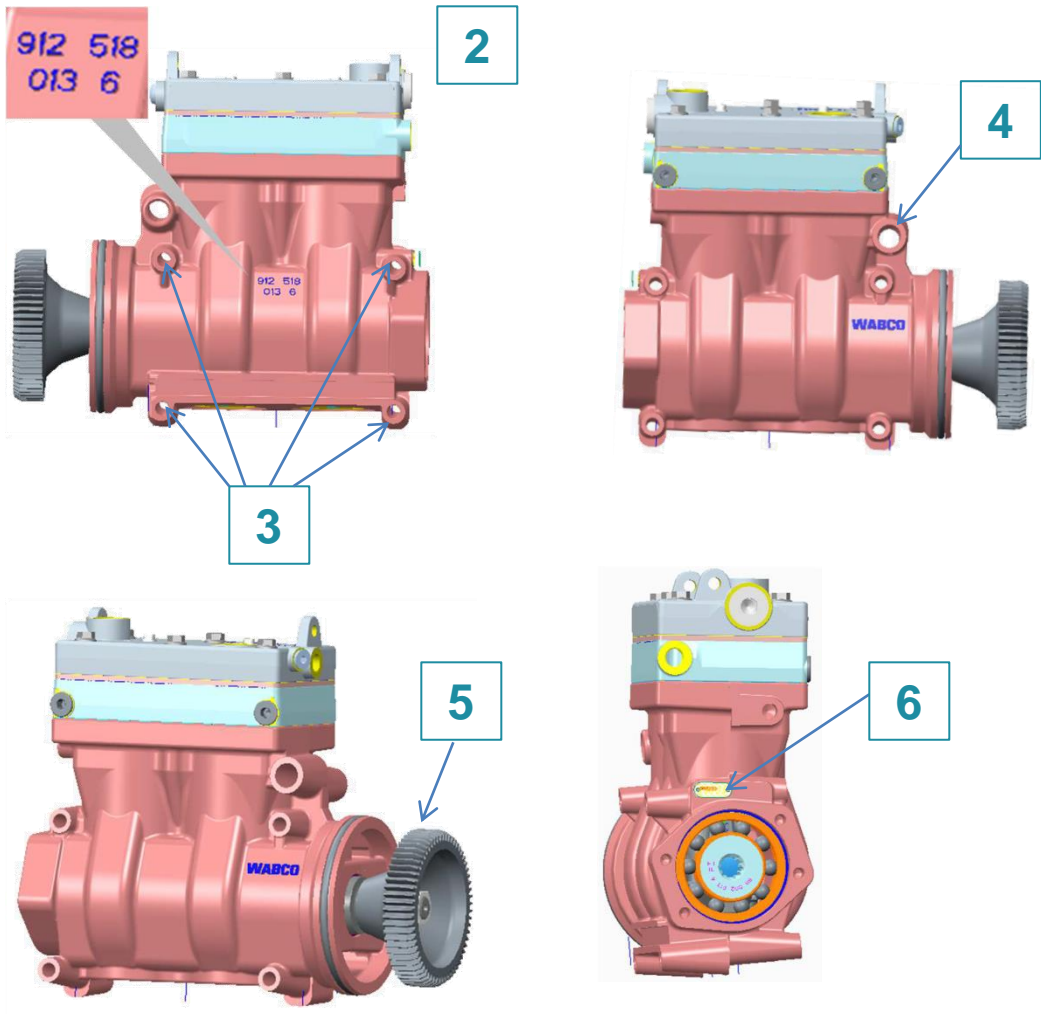
Sorting guidelines

Air Compressor

Core Part Number
912 518 106 9

Paccar MX11– Twin Cylinder

- 1) Twin cylinder compressor
- 2) Crankcase casting number 912 518 013 6
- 3) 4 Hole side mount
- 4) Oil hole
- 5) 43 Tooth drive gear
- 6) Data tag part numbers



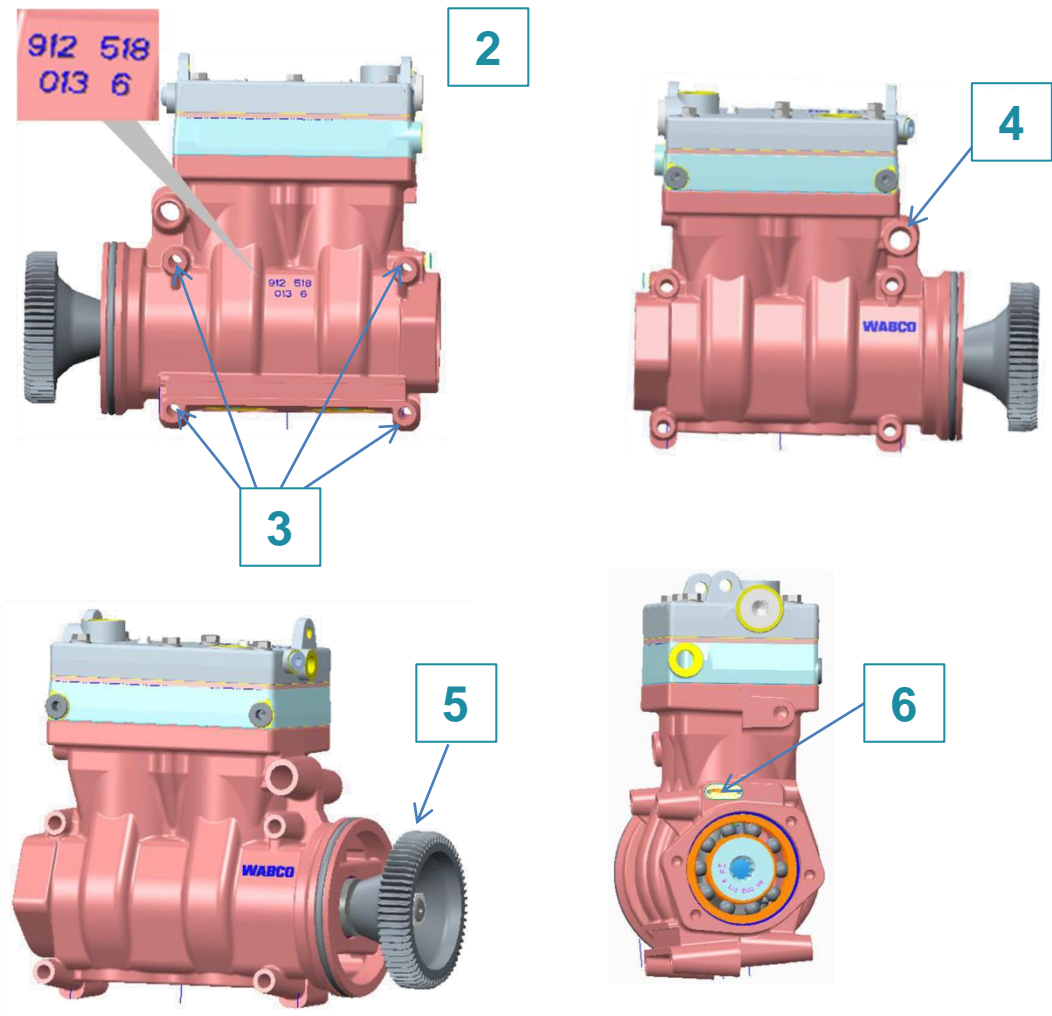
Sorting guidelines

Air Compressor

Core Part Number
912 518 108 9

Paccar MX13– Twin Cylinder

- 1) Twin cylinder compressor
- 2) Crankcase casting number 912 518 013 6
- 3) 4 Hole side mount
- 4) Oil hole
- 5) 43 Tooth drive gear
- 6) Data tag part numbers



AIR DRYER



Acceptable part numbers

Air Dryer

Core Part Number	Accepted WABCO Part Number
432 413 001 9	RWABK118
	RWABK118S
	RWABK119
	RWABK119S
	432 413 001 R
	432 413 002 R
432 413 006 9	432 413 006 0
	432 413 006 7
432 413 007 9	432 413 007 R
	432 413 017 0
	432 413 017 7
432 421 009 9	432 413 009 R
	432 413 010 R
	432 413 024 0
	432 413 024 7
	432 413 025 0
	432 413 025 7
	432 421 037 R
	432 421 039 R
	432 421 048 0
	432 421 048 7
	432 421 054 0
	432 421 054 7

Core Part Number	Accepted WABCO Part Number
432 421 011 9	432 421 011 R
	432 421 015 0
	432 421 015 7
	432 421 032 R
	432 421 033 0
	432 421 033 7
	432 421 038 R
	432 421 052 0
432 421 052 7	
432 433 006 9	432 433 006 R
	432 433 008 R
	432 433 010 R
	432 433 011 R
	432 433 036 0
	432 433 036 7
	432 433 038 0
	432 433 038 7
	432 433 040 0
	432 433 040 7
	432 433 041 0
	432 433 041 7

Acceptable part numbers

Air Dryer

Core Part Number	Accepted WABCO Part Number
432 470 000 9	432 470 001 0
	432 470 001 7
	432 470 001 R
	432 470 021 0
	432 470 021 7
	432 470 021 R
	432 471 001 0
	432 471 001 7
	432 471 001 R
432 470 100 9	400 850 701 0
	400 850 701 7
	400 850 701 R
	432 470 161 0
	432 470 161 7
	432 470 161 R
	432 471 100 0
	432 471 100 7
	432 471 100 R
	432 471 101 0
	432 471 101 7
	432 471 101 R

Core Part Number	Accepted WABCO Part Number
432 480 340 9	432 480 301 0
	432 480 301 7
	432 480 340 0
	432 480 340 7
	432 480 341 0
	432 480 341 7

Cores not accepted

Air Dryer

- Cores without cartridge, heater, purge valve, safety valve, and part number nameplate in place are not accepted.

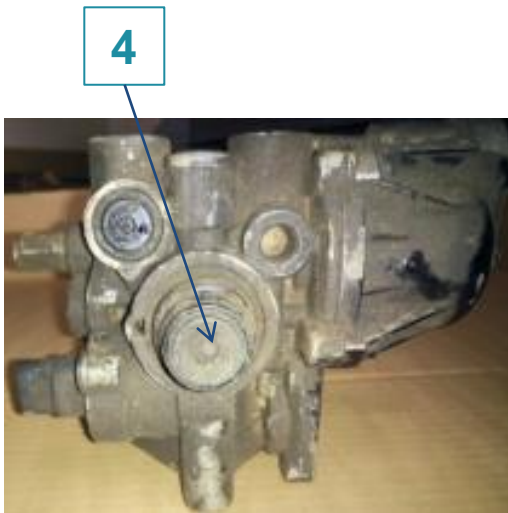


Sorting guidelines

Air Dryer

Core Part Number
432 413 001 9

- 1) Part Number
- 2) Safety valve
- 3) Heater
- 4) Purge Valve
- 5) Catridge



Sorting guidelines

Air Dryer

Core Part Number
432 413 006 9

- 1) Part Number
- 2) Safety valve
- 3) Heater
- 4) Purge Valve
- 5) Catridge
- 6) Metal Tube with Banjo Bolt



2

1

5

6

4



3

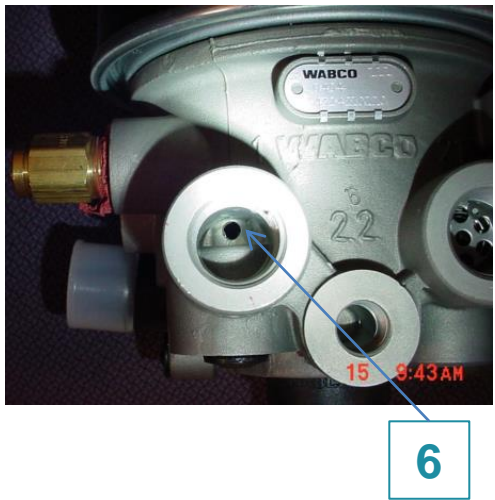


Sorting guidelines

Air Dryer

Core Part Number
432 413 007 9

- 1) Part Number
- 2) Safety valve
- 3) Heater
- 4) Purge Valve
- 5) Catridge
- 6) 5mm hole in inlet port

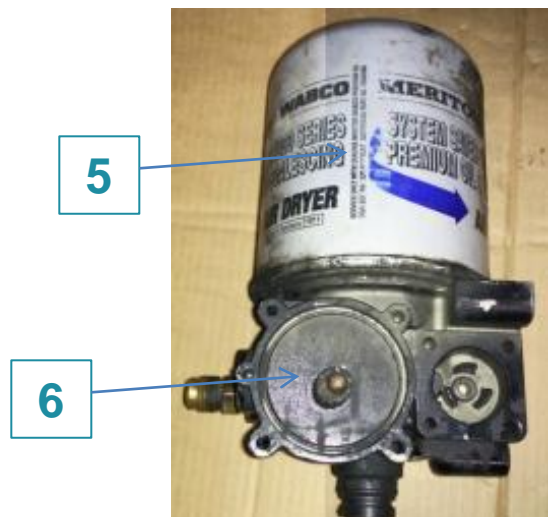


Sorting guidelines

Air Dryer

Core Part Number
432 421 009 9

- 1) Part Number
- 2) Safety valve
- 3) Heater
- 4) Purge Valve
- 5) Catridge
- 6) Sealing Ball

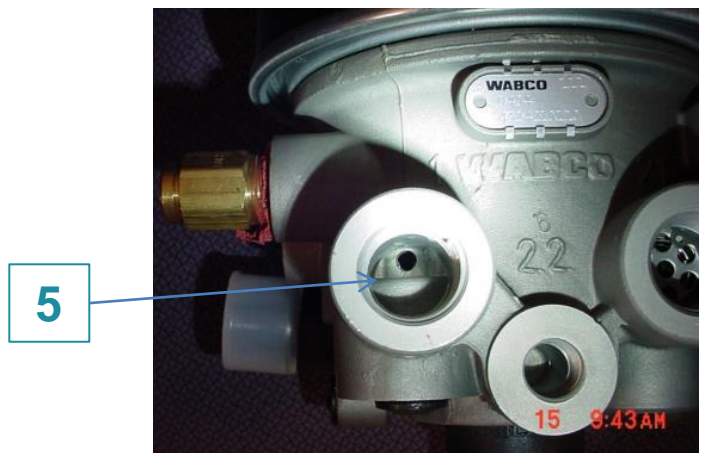
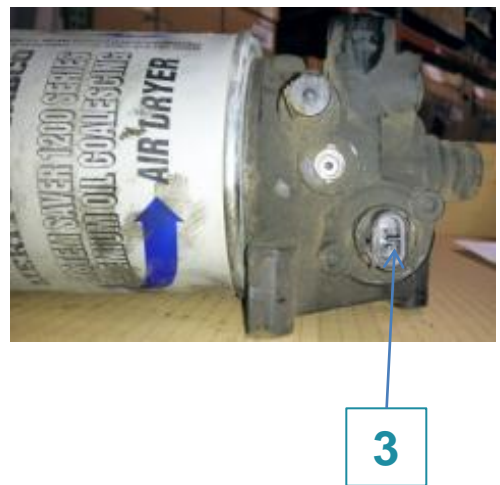


Sorting guidelines

Air Dryer

Core Part Number
432 421 011 9

- 1) Part Number
- 2) Safety valve
- 3) Heater
- 4) Purge Valve
- 5) Catridge
- 6) 5 mm hole in inlet port



Sorting guidelines

Air Dryer

Core Part Number
432 433 006 9

- 1) Part Number
- 2) 2 catrignes

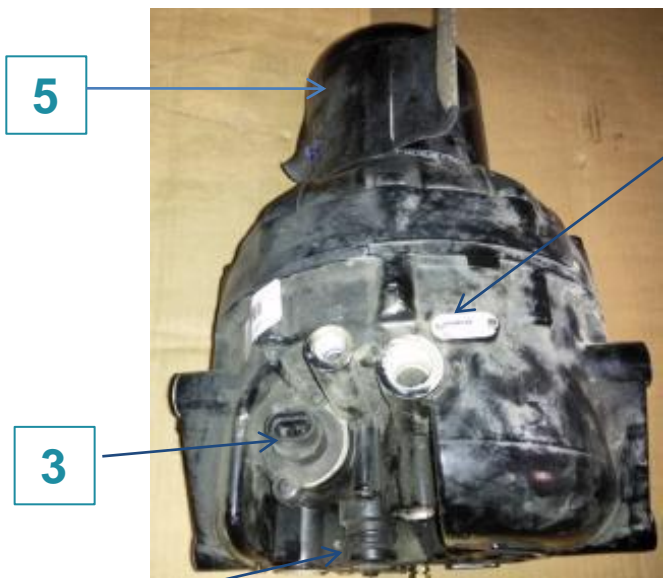


Sorting guidelines

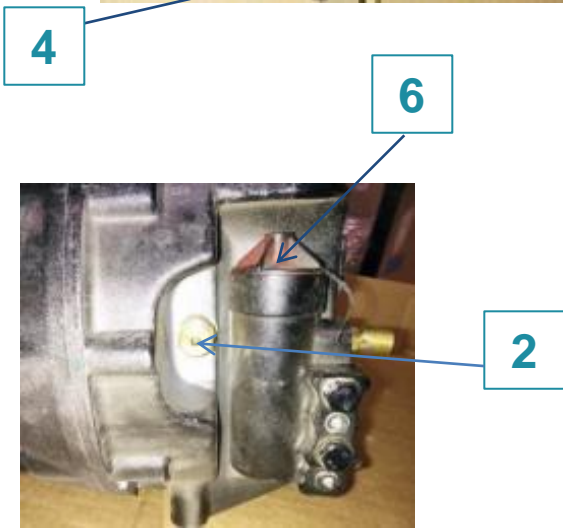
Air Dryer

Core Part Number
432 470 000 9

- 1) Part Number
- 2) Safety valve
- 3) Heater
- 4) Purge Valve
- 5) Catridge
- 6) Governor



WABCO P/N	
432 470 000 0	SS1200 PLUS
432 470 001 0	SS1200 PLUS
432 470 021 0	SS1200 PLUS
432 470 041 0	SS1200 PLUS w/gov
432 471 000 0	SS1200 PLUS w/gov
432 471 001 0	SS1200 PLUS w/gov

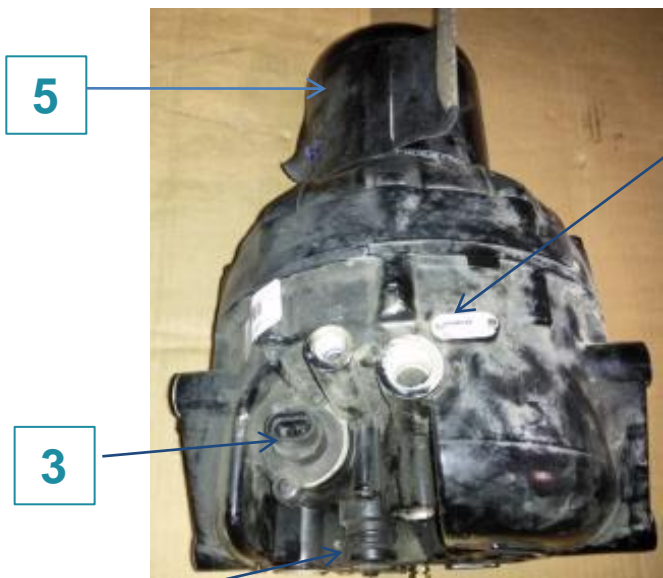


Sorting guidelines

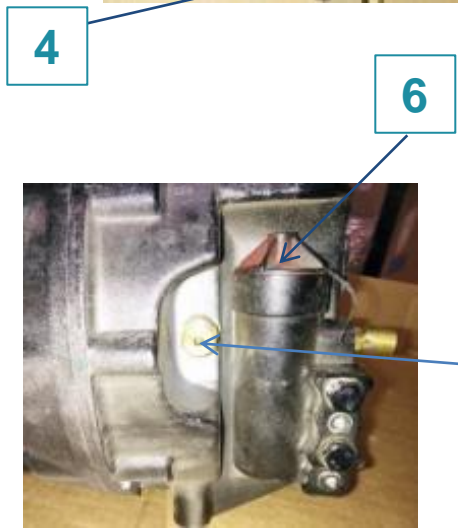
Air Dryer

Core Part Number
432 470 100 9

- 1) Part Number
- 2) Safety valve
- 3) Heater
- 4) Purge Valve
- 5) Catridge
- 6) Governor



WABCO P/N	
432 470 110 0	SS1200 PLUS
432 470 100 0	SS1200 PLUS
432 470 101 0	SS1200 PLUS
432 470 121 0	SS1200 PLUS
432 471 100 0	SS1200 PLUS w/gov
432 471 101 0	SS1200 PLUS w/gov
432 470 151 0	SS1200 PLUS

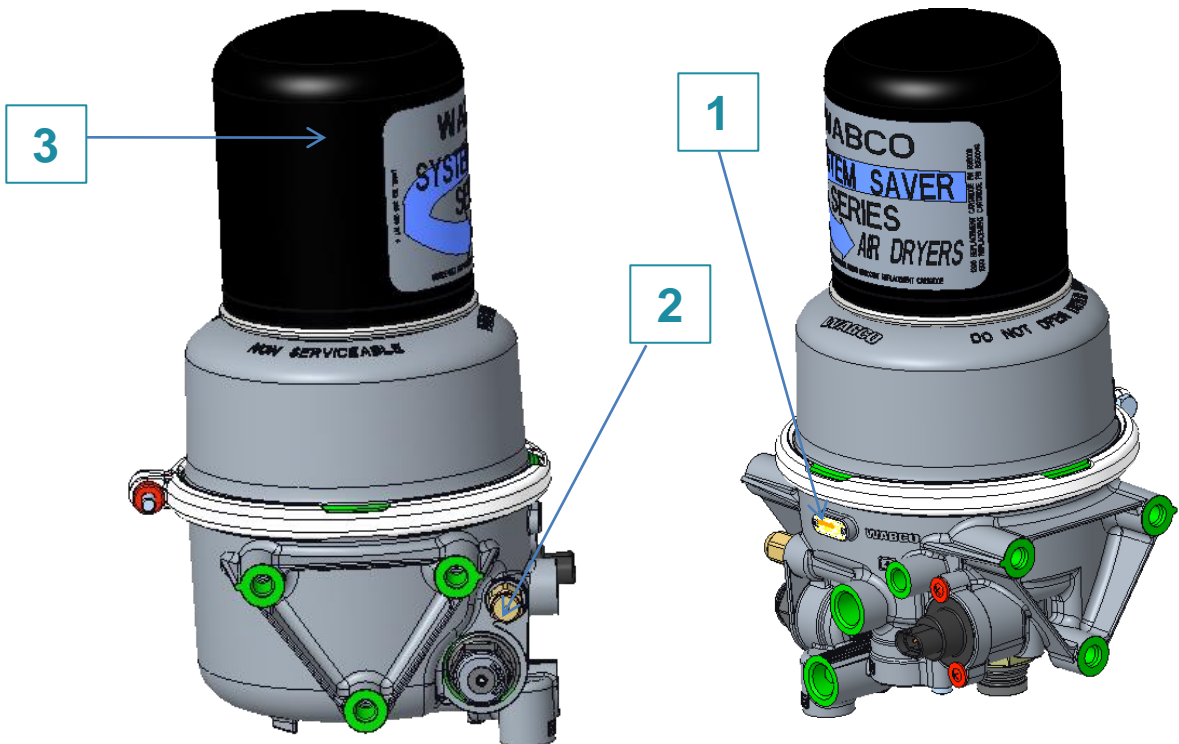
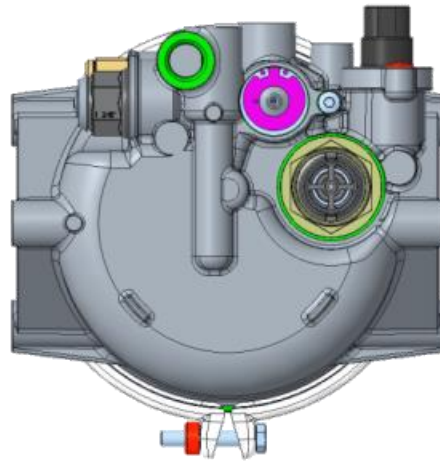


Sorting guidelines

Air Dryer

Core Part Number
432 480 340 9

- 1) Part Number
- 2) Safety valve
- 3) Cartridge



HPB – Hydraulic Power Brake



Acceptable part numbers

HPB – Hydraulic Power Brake

Core Part Number	Accepted WABCO Part Number
400 851 875 9	400 851 875 0
	400 851 875 7
	400 851 875 X
400 851 876 9	400 851 876 0
	400 851 876 7
	400 851 876 X
400 851 877 9	400 851 877 0
	400 851 877 7
	400 851 877 X
400 851 881 9	400 851 881 0
	400 851 881 7
	400 851 881 X
400 851 882 9	400 851 882 0
	400 851 882 7
	400 851 882 X

Core Part Number	Accepted WABCO Part Number
400 851 884 9	400 851 884 0
	400 851 884 7
	400 851 884 X
400 851 885 9	400 851 885 0
	400 851 885 7
	400 851 885 X
400 851 886 9	400 851 886 0
	400 851 886 7
	400 851 886 X
400 852 877 9	400 852 877 0
	400 852 877 X
400 852 878 9	400 852 878 0
	400 852 877 7

Cores not accepted

HPB

- Device without ECU are not accepted

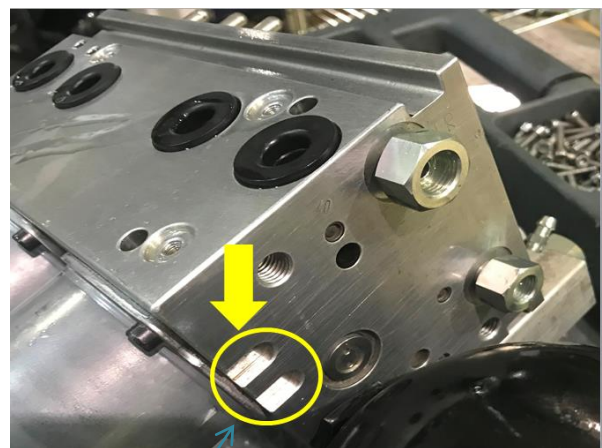


Sorting guidelines

HPB

Core Part Number
400 851 875 9

- 1) Part Number
- 2) 10 coils
- 3) Two notches cut into the aluminum body
- 4) ECU with 446 046 004 2 or 446 046 001 2
- 5) No Parking Brake

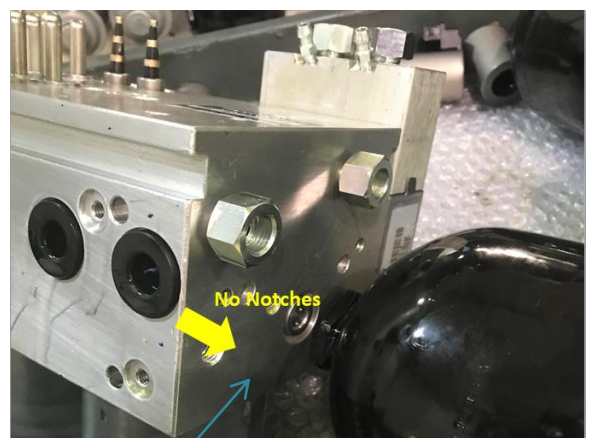


Sorting guidelines

HPB

Core Part Number
400 851 876 9

- 1) Part Number
- 2) 8 coils
- 3) No notches cut into the aluminum body
- 4) ECU with 446 046 005 2 or 446 046 002 2
- 5) No Parking Brake



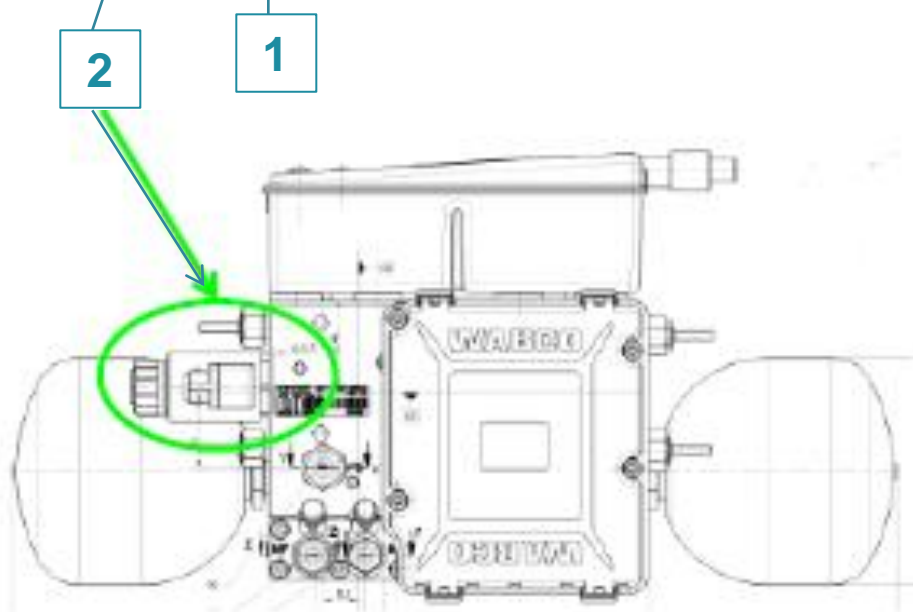
Sorting guidelines

HPB

Core Part Number
400 851 877 9

MW HPB Core

- 1) Part Numbers: **478 408 125 0**
- 2) Has parking brake

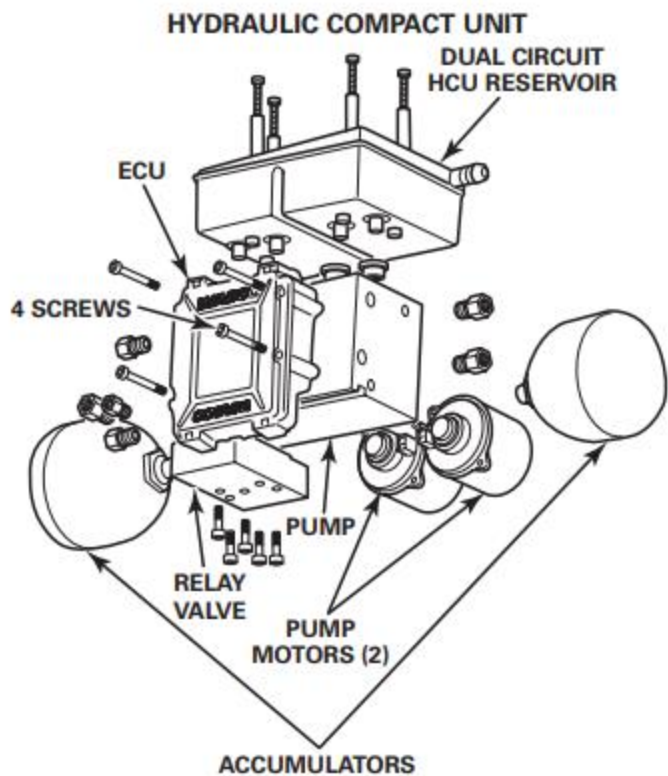
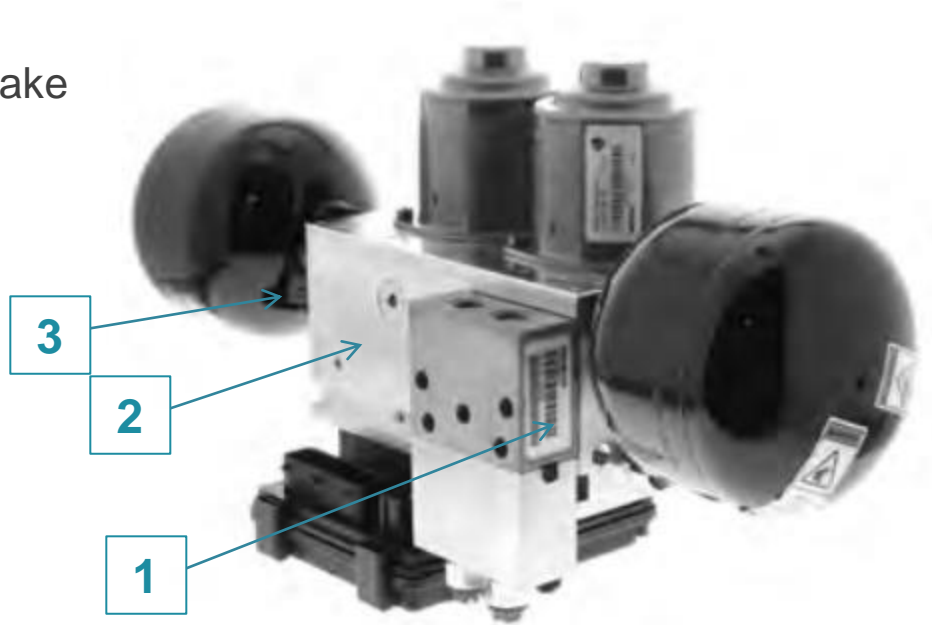


Sorting guidelines

HPB

Core Part Number
400 851 884 9

- 1) Part Number
- 2) 10 coils
- 3) No Parking Brake

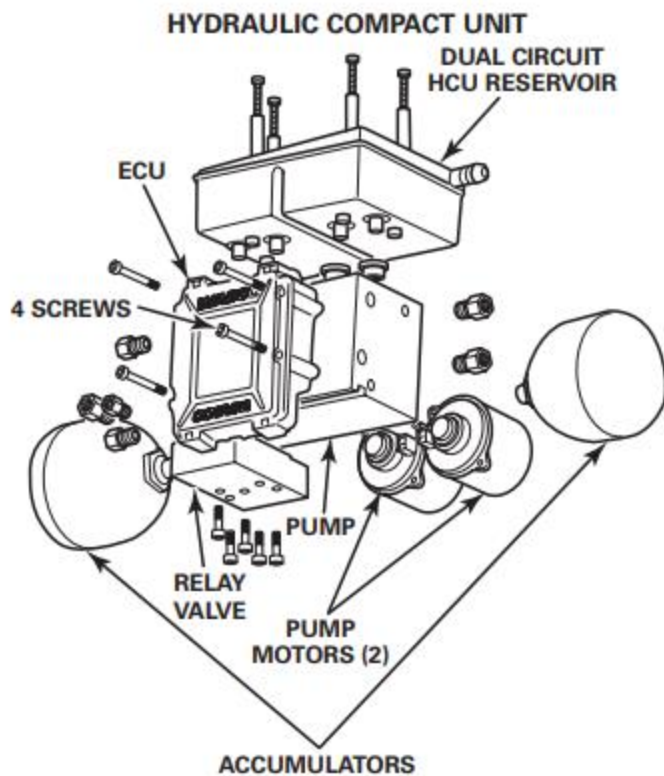
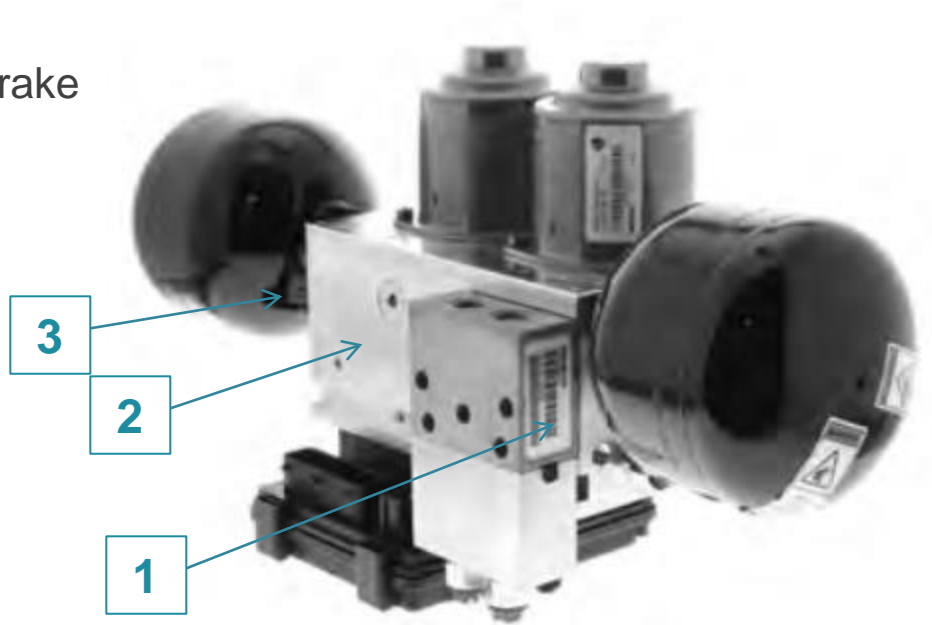


Sorting guidelines

HPB

Core Part Number
400 851 885 9

- 1) Part Number
- 2) 8 coils
- 3) Has parking brake

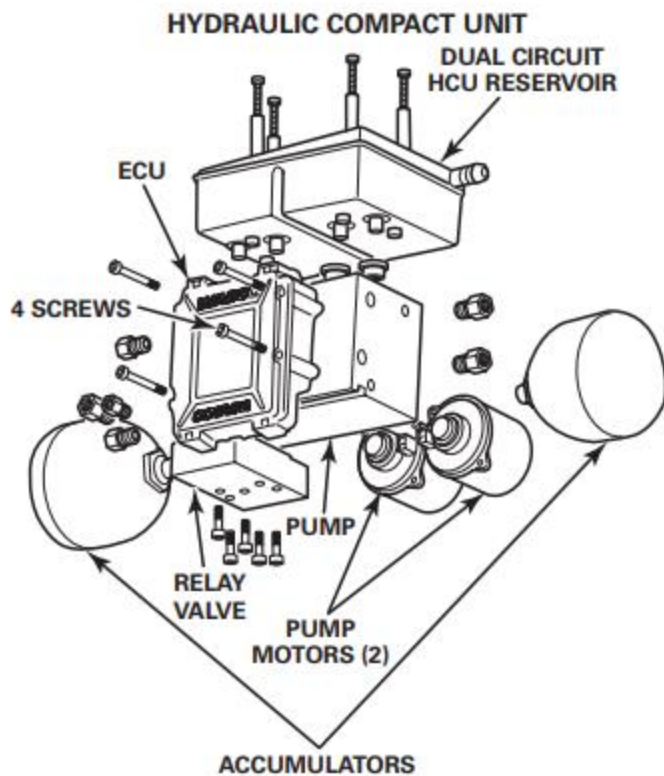
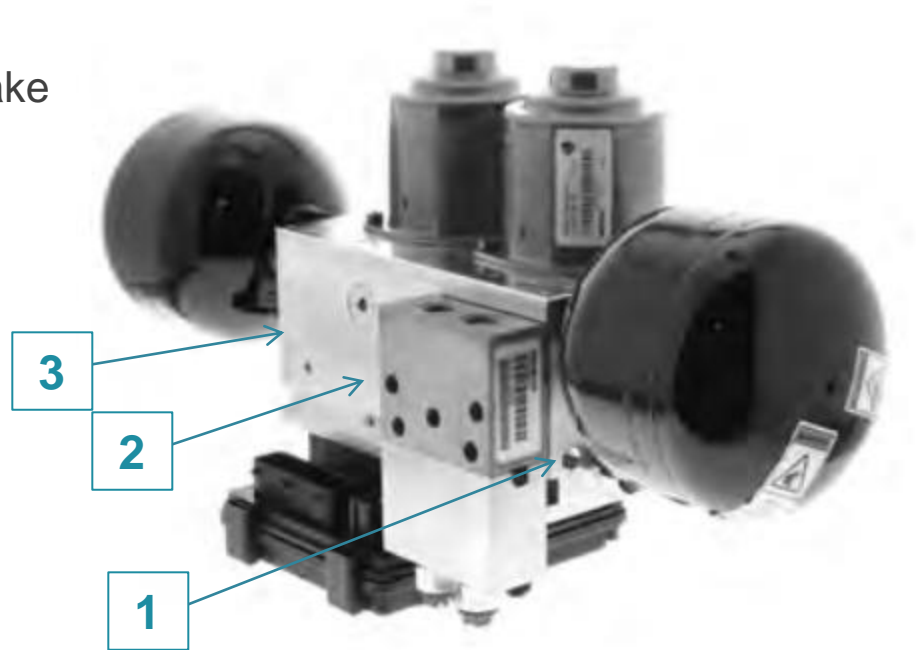


Sorting guidelines

HPB

Core Part Number
400 851 886 9

- 1) Part Number
- 2) 10 coils
- 3) Has parking brake

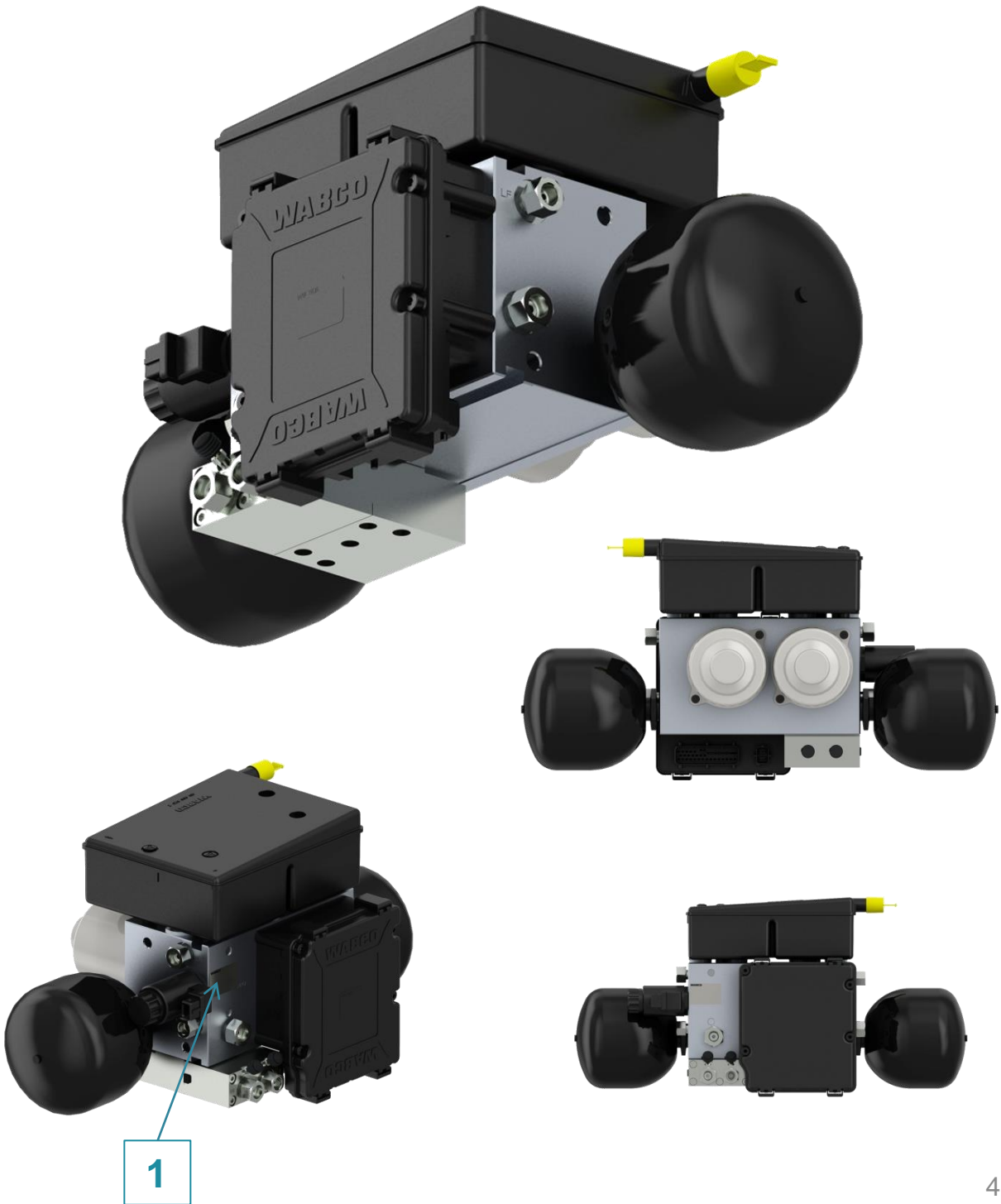


Sorting guidelines

HPB

Core Part Number
400 852 877 9

1) Part Number

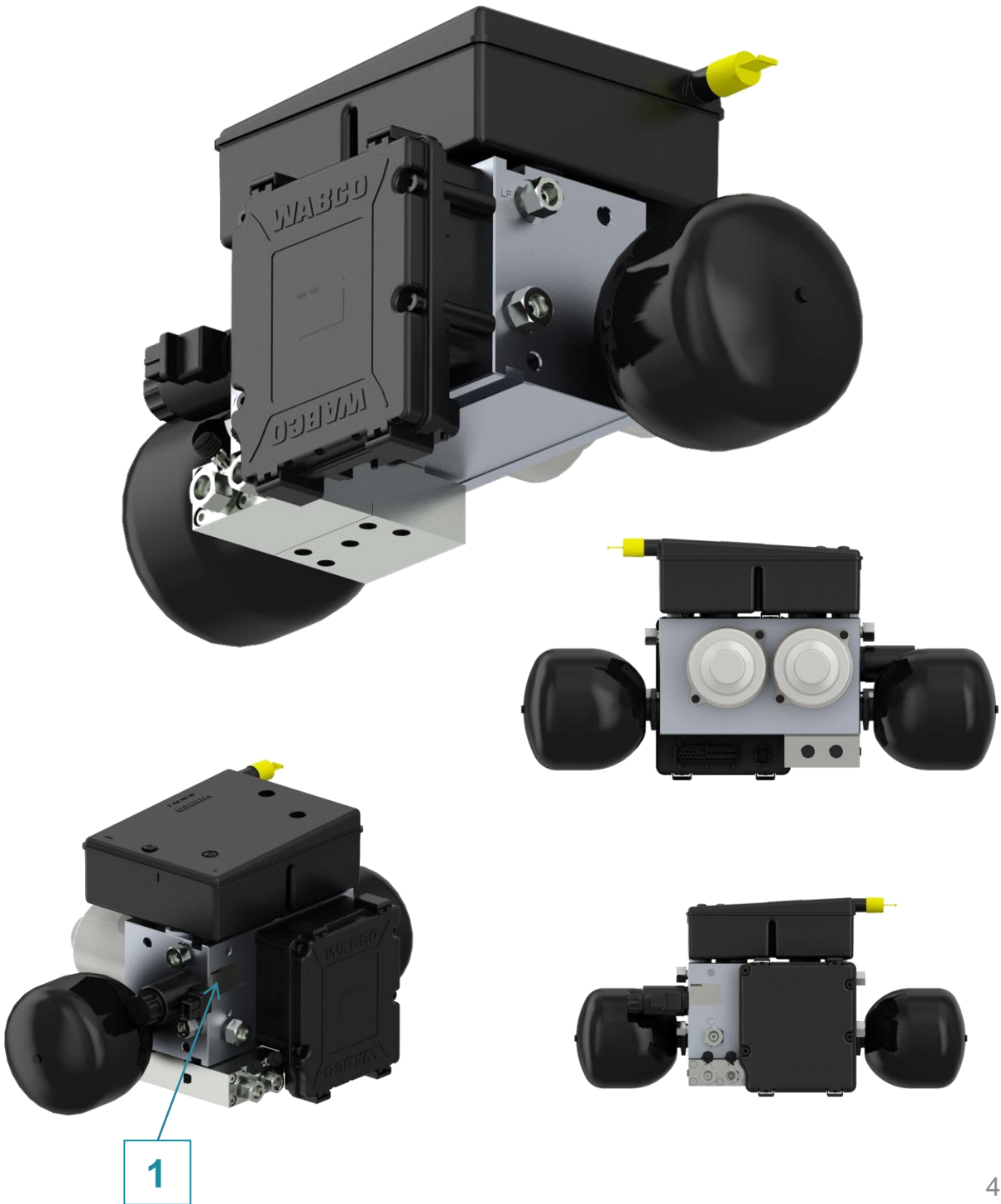


Sorting guidelines

HPB

Core Part Number
400 852 878 9

1) Part Number

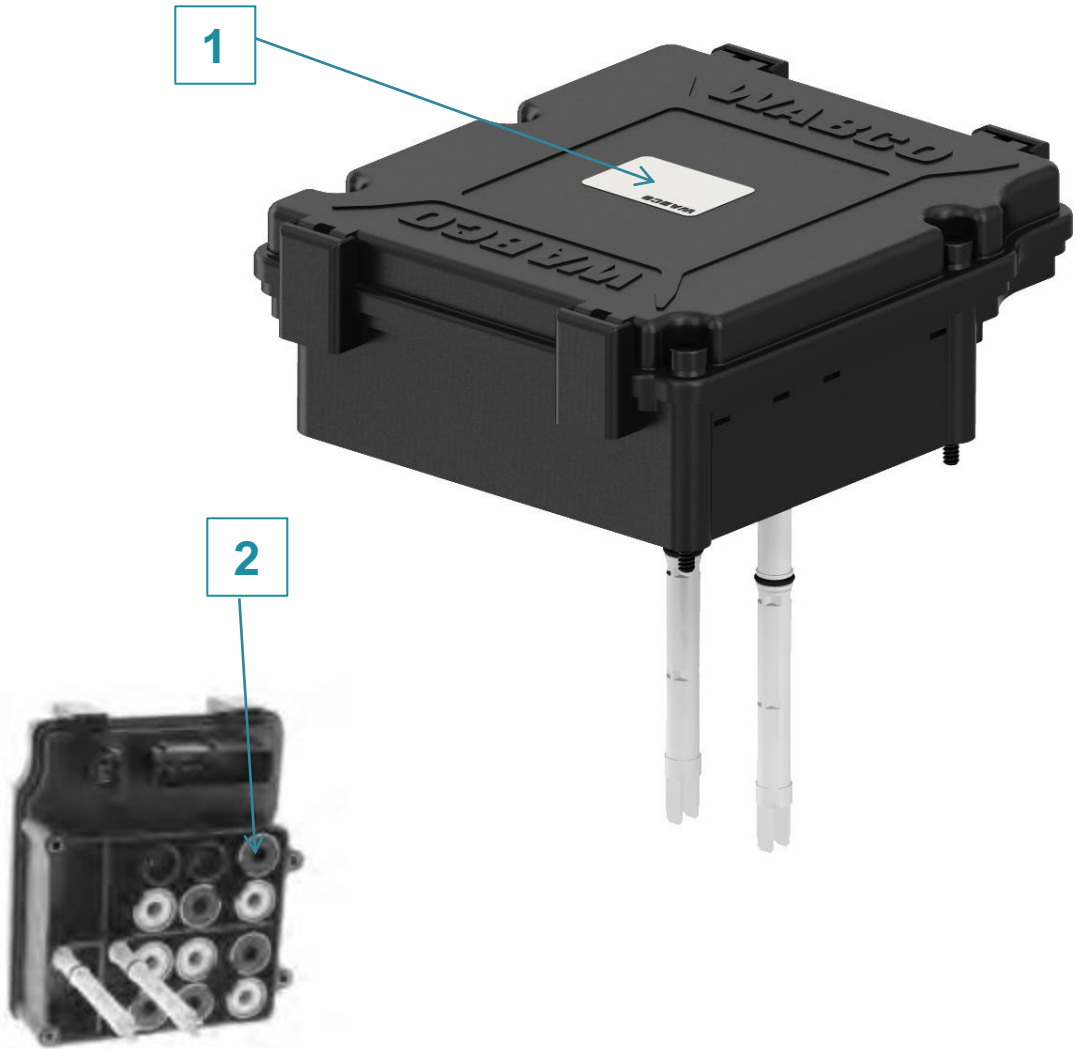


Sorting guidelines

HPB ECU

Core Part Number
400 851 881 9

- 1) Part Number
- 2) 10 coils

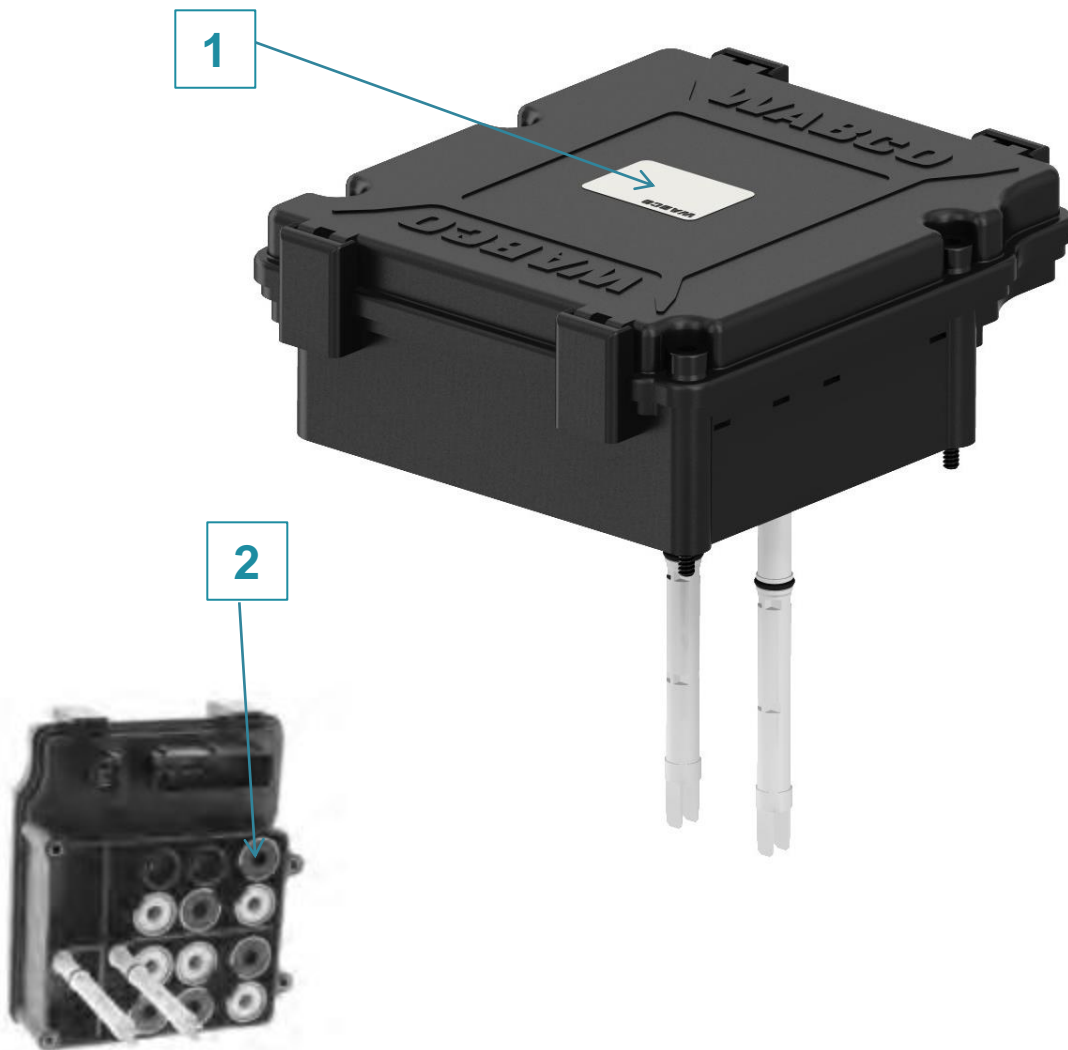


Sorting guidelines

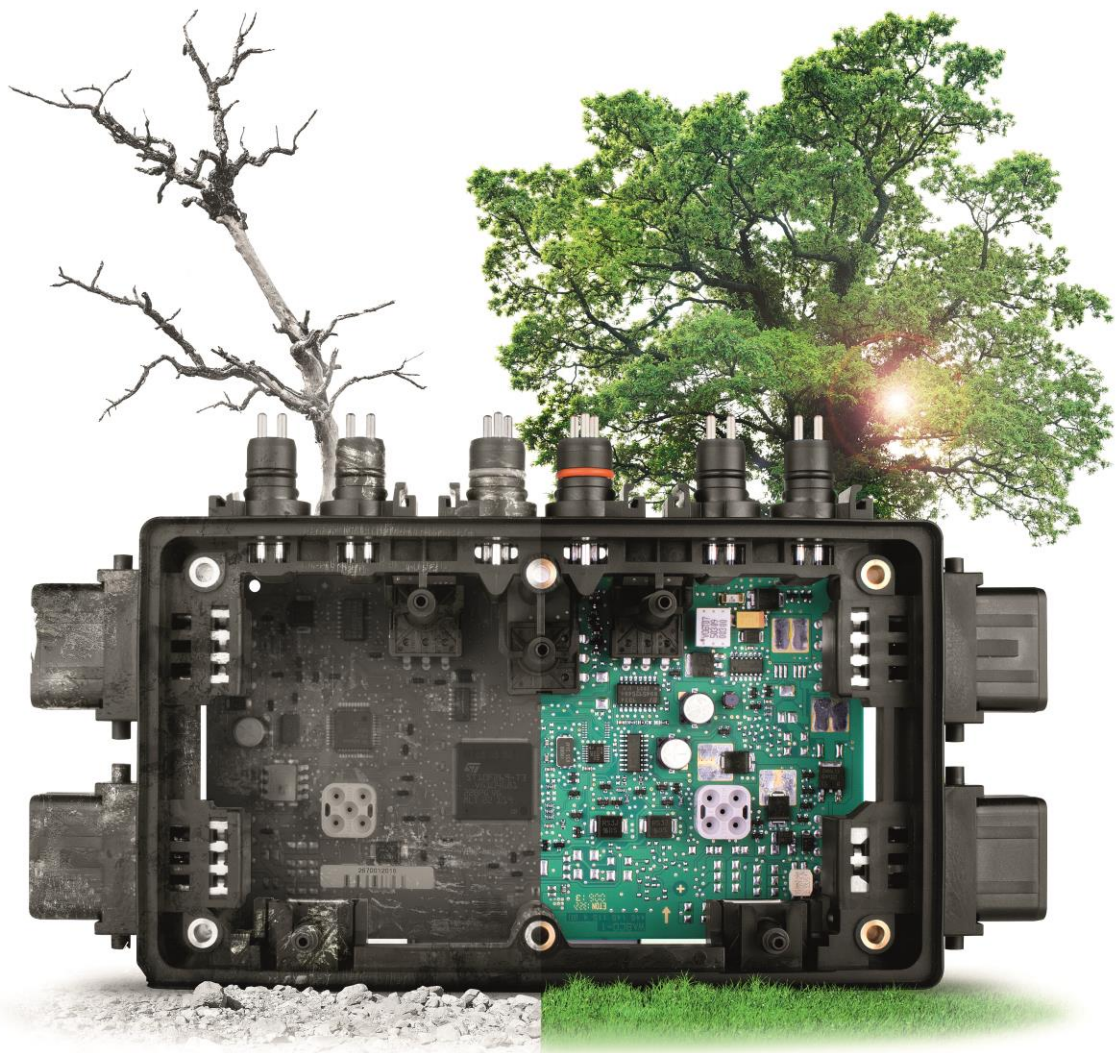
HPB ECU

Core Part Number
400 851 882 9

- 1) Part Number
- 2) 8 coils



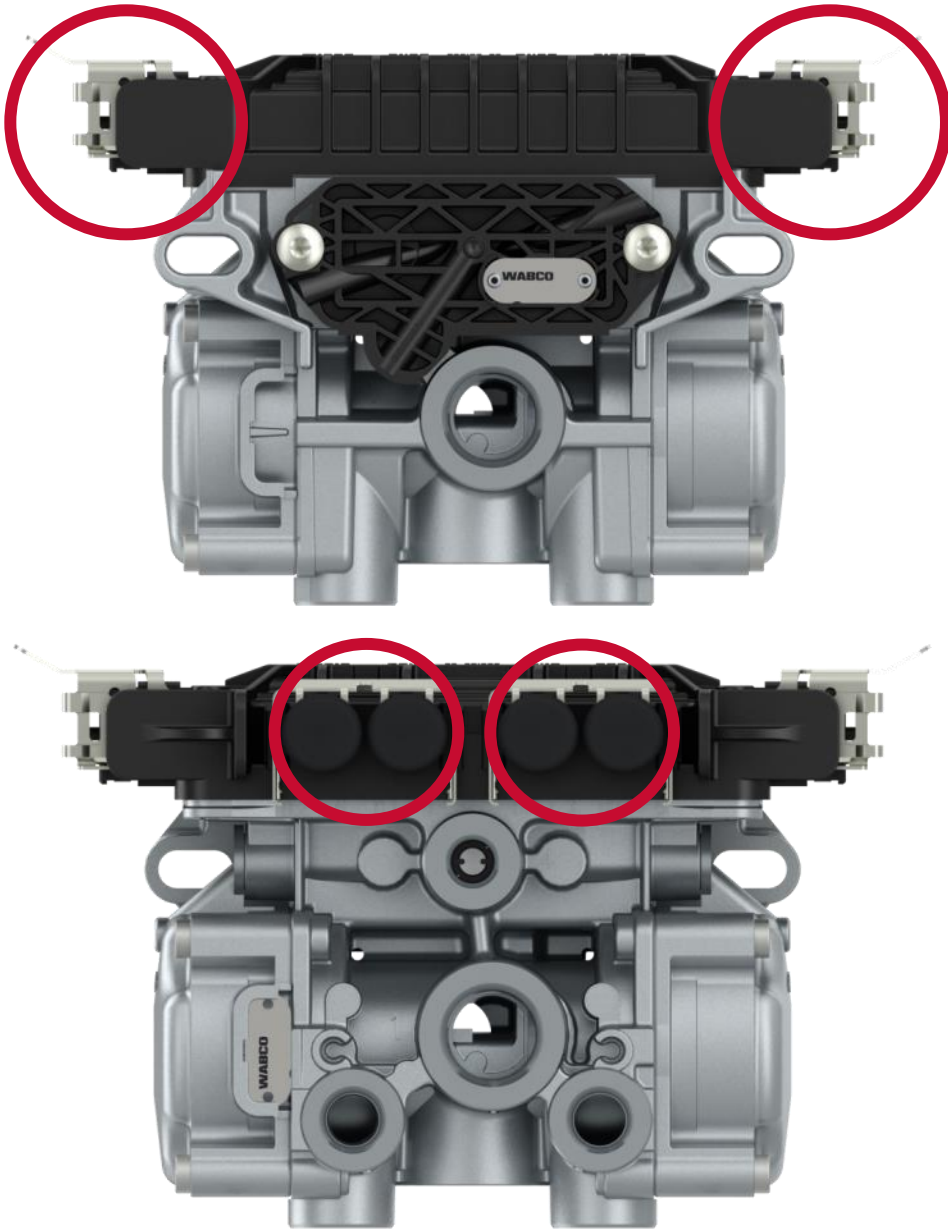
TCSII – Trailer ABS ECU – Electronic Control Unit



Cores not accepted

TCSII

- ECU connecting ports must be free of scratches, damages. ECU plastic body must be free of damages. Applicable also for ECU repair kits.



Acceptable part numbers

TCSII - Trailer modulator & ECU for TCSII

TCSII

Core Part Number	Accepted WABCO Part Number
400 500 101 9	400 500 101 0
	400 500 101 7
	400 500 101 R
	400 500 104 0
	400 500 104 7
	400 500 104 R
	400 500 106 0
	400 500 106 7
	400 500 106 R
400 500 102 9	400 500 102 0
	400 500 102 7
	400 500 102 R
400 500 103 9	400 500 103 0
	400 500 103 7
	400 500 103 R
	400 500 105 0
	400 500 105 7
	400 500 105 R

TCSII ECU

Core Part Number	Accepted WABCO Part Number
446 108 201 9	400 850 600 0
	400 850 600 7
	400 850 601 0
	400 850 601 7
	400 850 602 0
	400 850 602 7
	446 108 201 0
	446 108 201 7
	446 108 204 0
	446 108 204 7

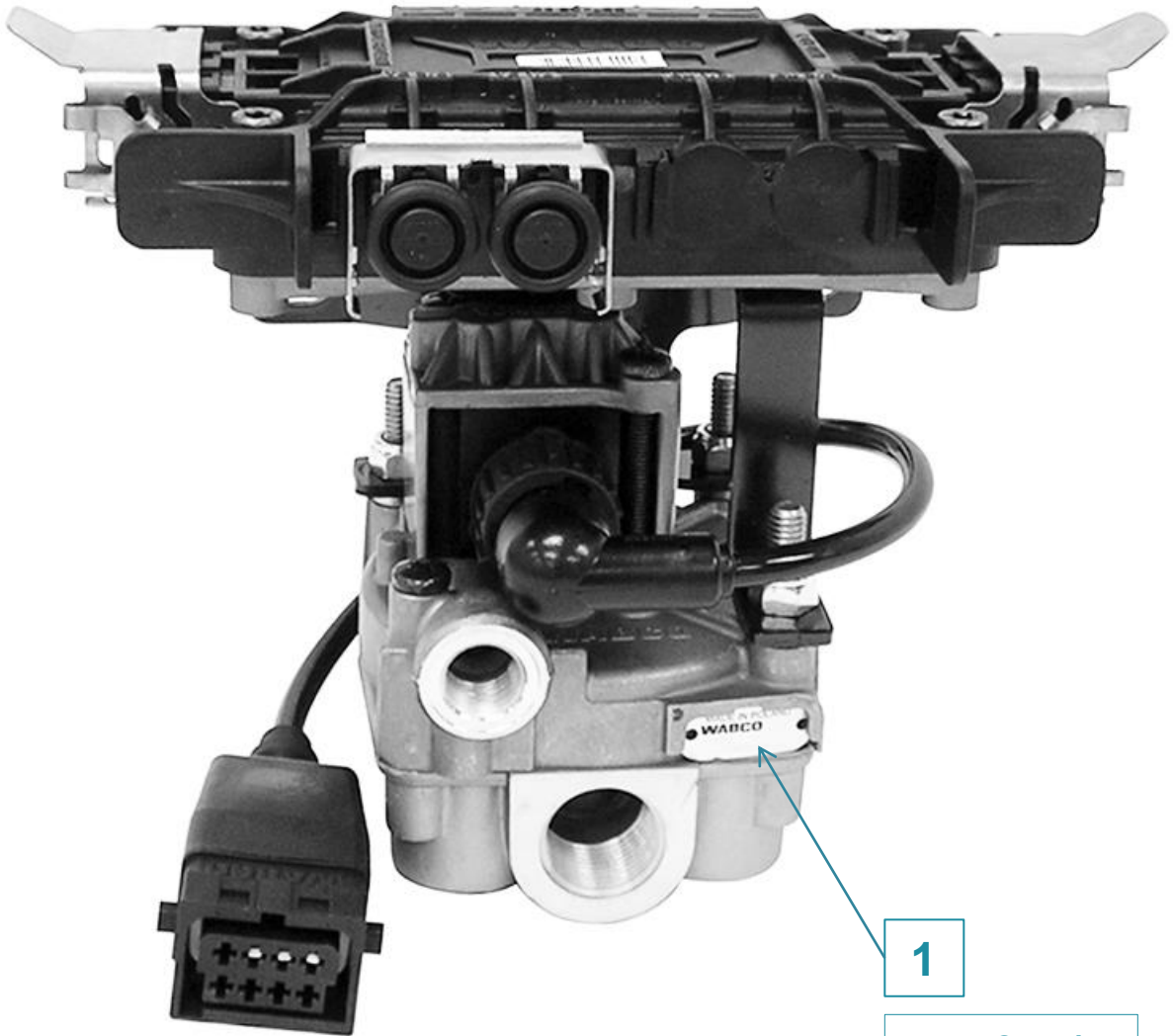
Sorting guideline

TCSII

Core Part Number
400 500 101 9

Standard 2S/1M

1) Part Number



1

WABCO P/N
400 500 101 0
400 500 104 0

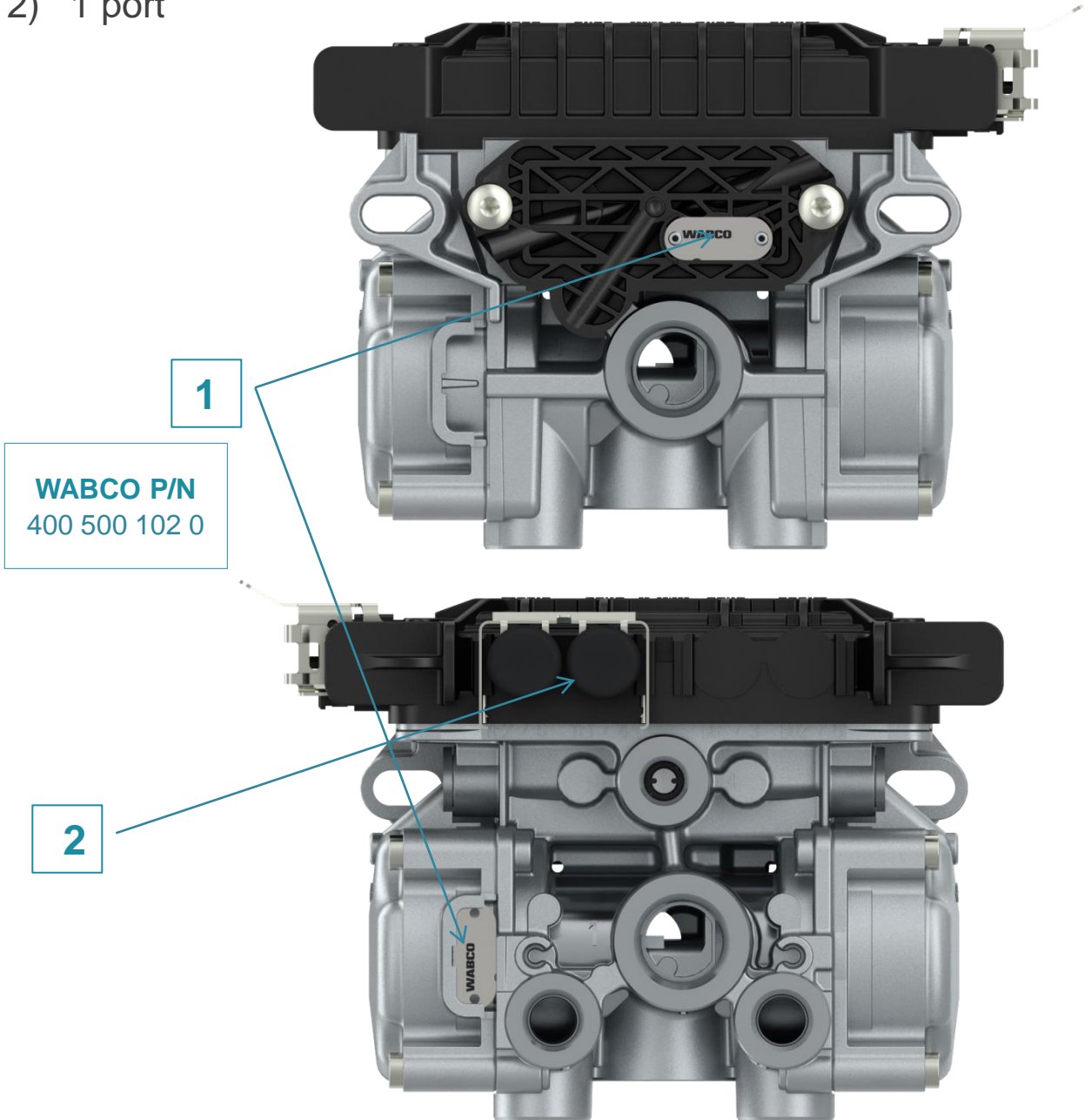
Sorting guideline

TCSII

Core Part Number
400 500 102 9

Standard 2S2M

- 1) Part Number
- 2) 1 port



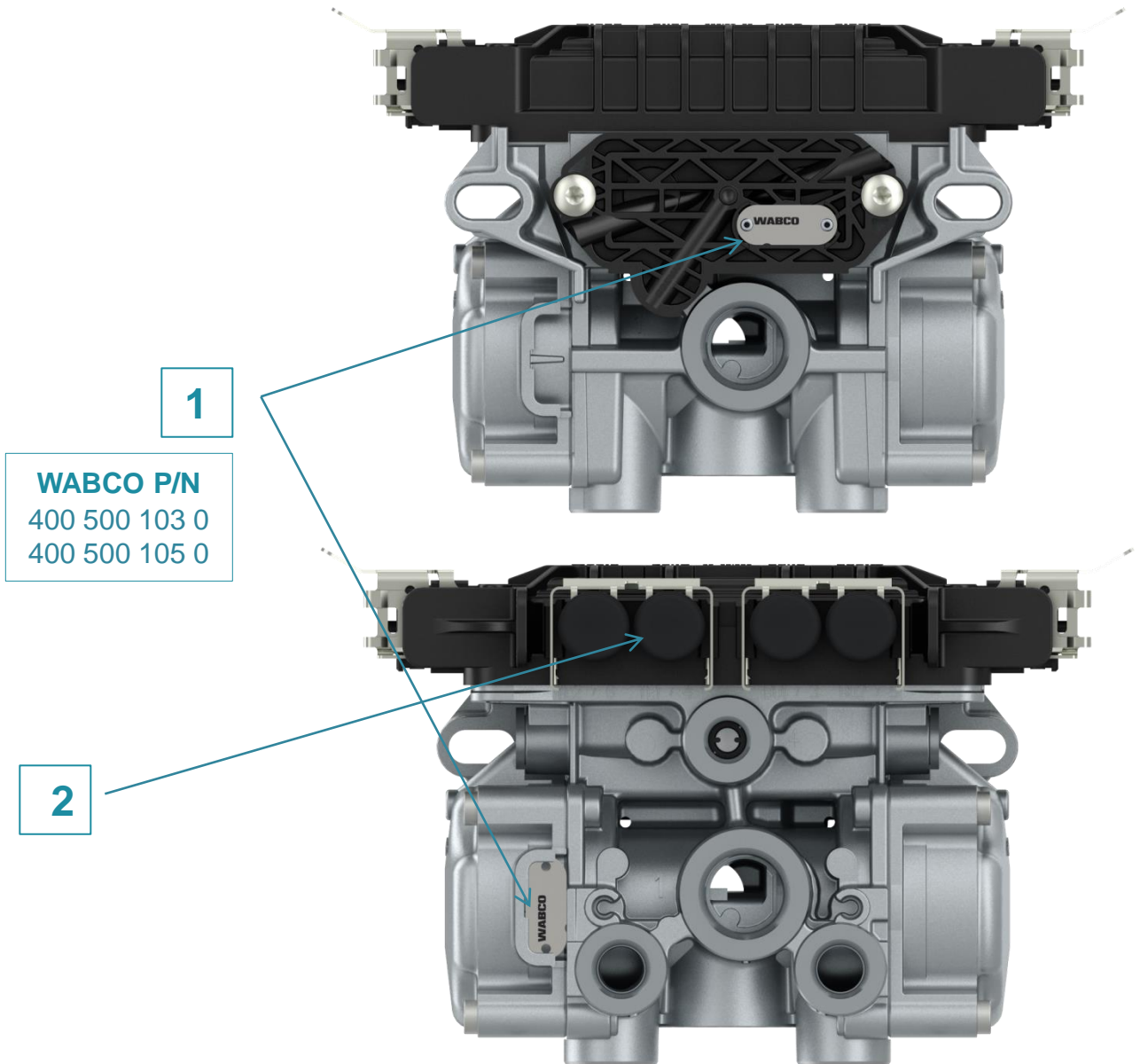
Sorting guideline

TCSII

Core Part Number
400 500 103 9

Premium 4S3M

- 1) Part Number
- 2) 2 ports

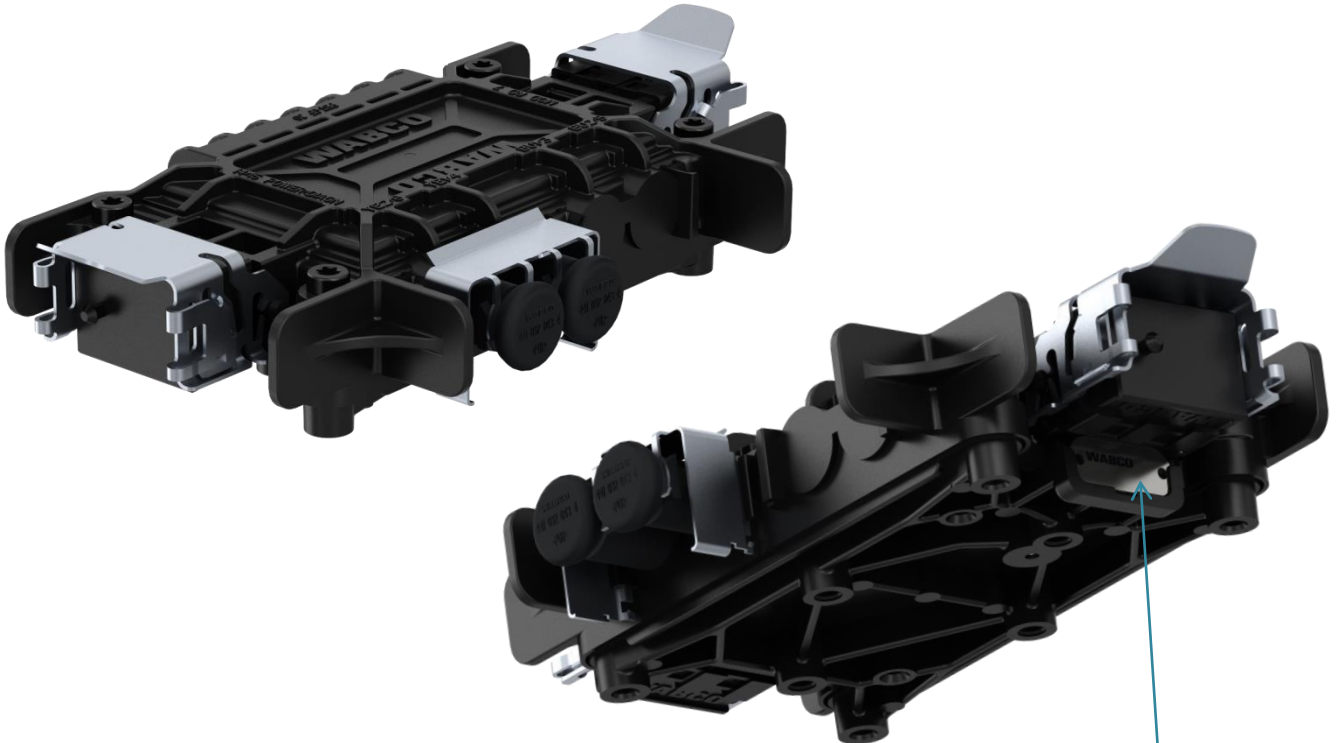


Sorting guideline

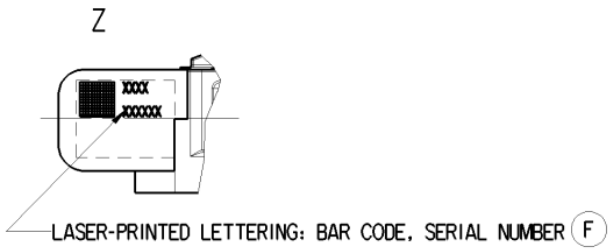
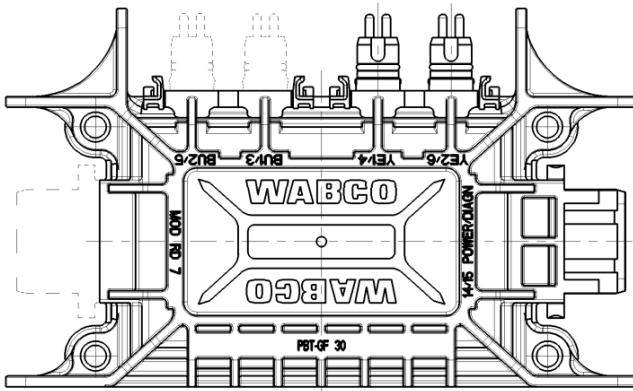
ECU TCSII

Core Part Number
446 108 201 9

1) Part Number



1



Valves



Acceptable part numbers

Valves

Core Part Number	Accepted WABCO Part Number
961 899 211 9	961 899 201 0
	961 899 201 7
	961 899 202 0
	961 899 202 7
	961 899 211 0
	961 899 211 7
	961 899 218 0
	961 899 218 7
976 000 105 9	976 000 10x x

To collect and scrap

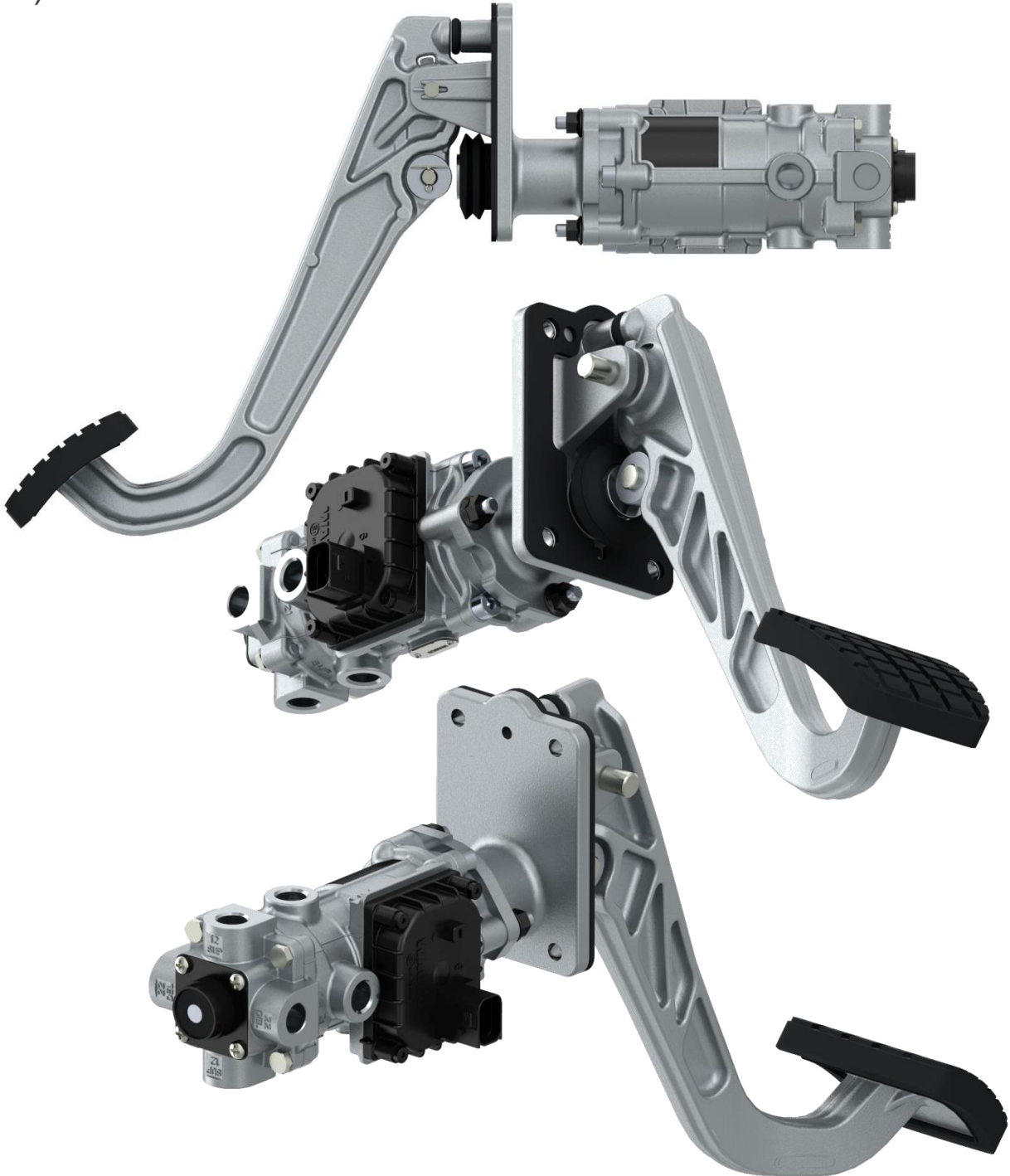
x = any number or letter

Sorting guidelines

Valves

Core Part Number
961 899 211 9

1) Part Number



Cores not accepted

Valves

Core Part Number
976 000 105 9

- Connecting ports must be free of scratches, damages. ECU plastic body must be free of damages.



Sorting guidelines

Valves

Core Part Number
976 000 105 9

1) Part Number



Relay Valve



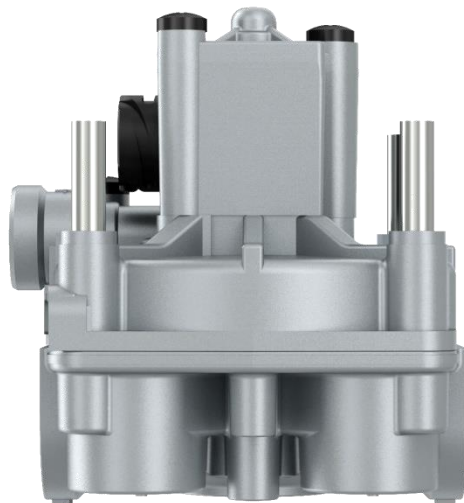
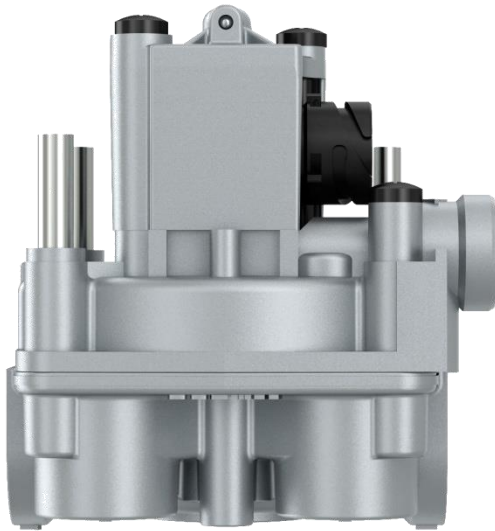
Sorting guidelines

Relay Valve

Core Part Number
472 195 033 9

Core Part Number	Accepted WABCO Part Number
472 195 033 9	472 195 xxx x

To collect and scrap



x = any number or letter

Rear modulator



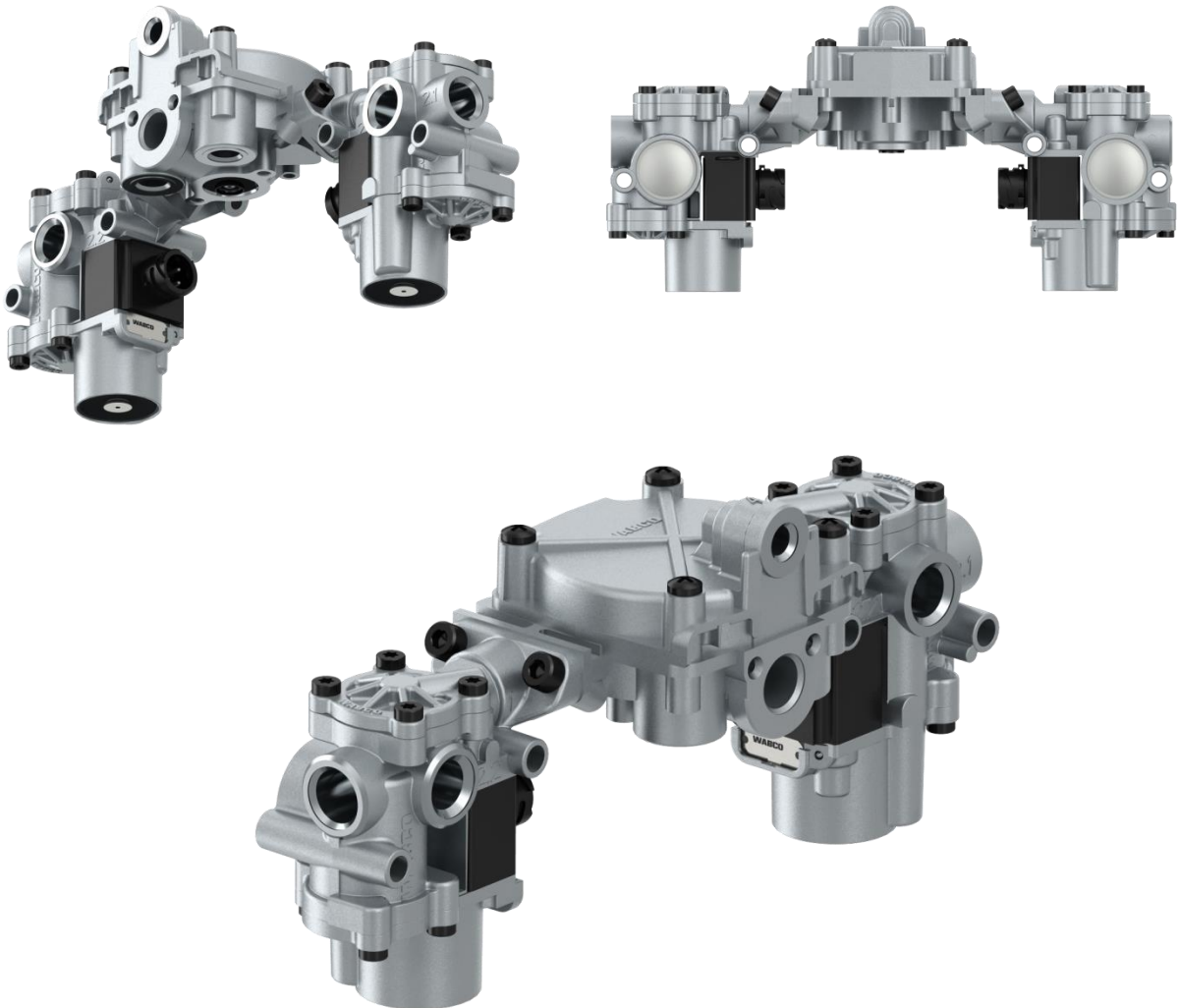
Sorting guidelines

Rear modulator

Core Part Number
472 500 120 9

Core Part Number	Accepted WABCO Part Number
472 500 120 9	472 500 xxx x

To collect and scrap



x = any number or letter