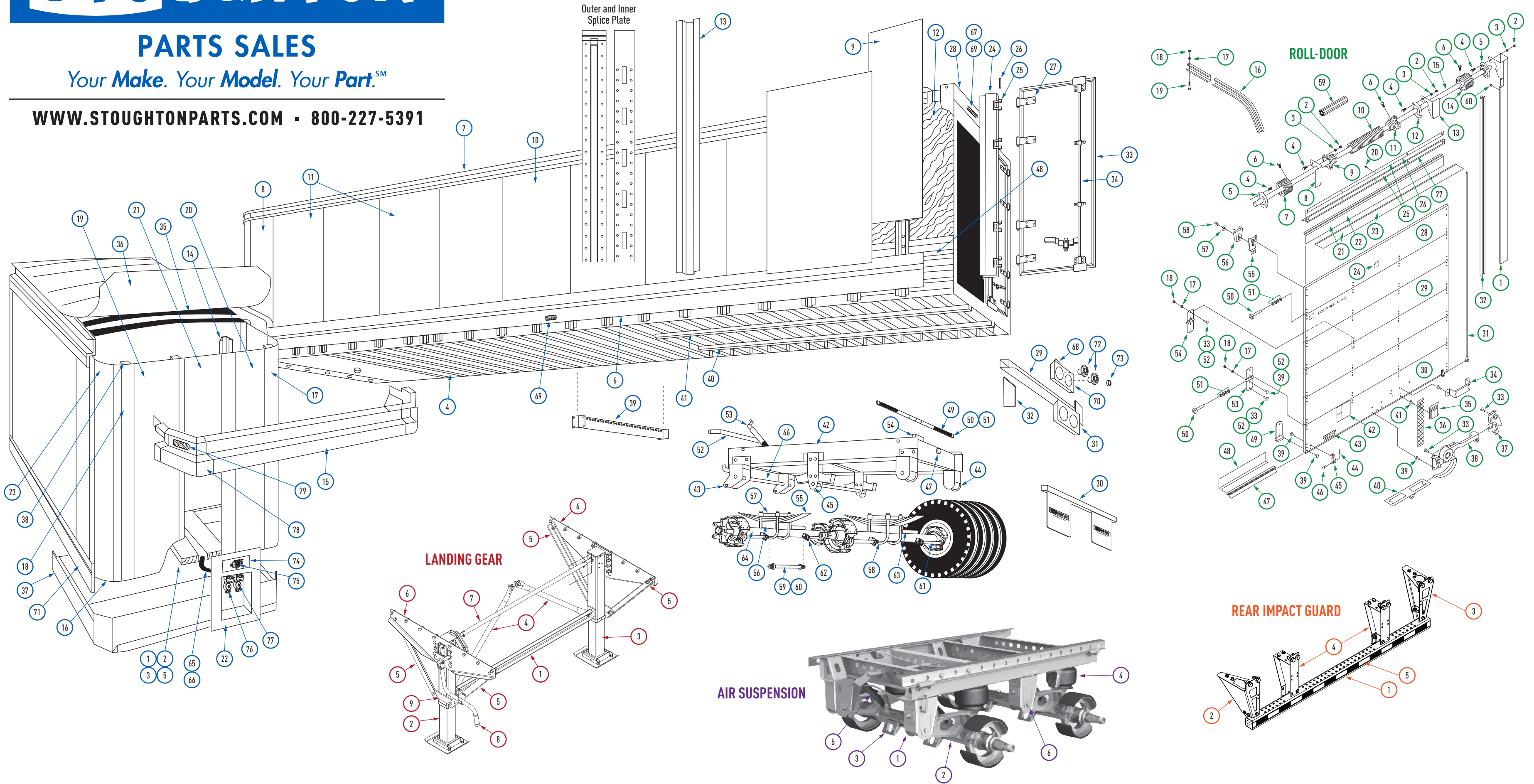


## PARTS SALES

Your Make. Your Model. Your Part.<sup>SM</sup>

WWW.STOUGHTONPARTS.COM - 800-227-5391

# DRY-VAN TRAILER COMPONENT IDENTIFICATION



1. Floor Kit Assembly
2. End Board
3. Intermediate Board
4. Hat Section
5. Floor Seal - Foam Tape
6. Bottom Rail
7. Top Rail
8. Side Panel
9. Side Panel
10. Side Panel
11. Side Panel
12. Plywood Liner
13. Side Post
14. Nose Post
15. Nose Rail
16. Radius Panel - CS
17. Radius Panel - RS
18. Corner Liner (interior)
19. Nose Panel
20. Nose Panel
21. Nose Panel
22. Recess Box
23. Corner Protector
24. Rear Corner Post, RH (CS)  
Rear Corner Post, LH (RS)
25. Hinge Butt
26. Hinge Pin
27. Hinge Strap
28. Rear Header Assembly
29. Rear Sill Assembly
30. Mud Flap - Splash Guard Angle
31. Light Box, RH  
Light Box, LH
32. Bumper Plate
33. Rear Door Assembly, CS  
Rear Door Assembly, RS
34. Locking Bar Assembly, CS  
Locking Bar Assembly, RS
35. Roof Bow
36. Roof Sheet
37. King Pin Assembly
38. Sealer, Foam Tape
39. Crossmember Assembly
40. Slider Rail, RH  
Slider Rail, LH
41. Slider Stop, Forward and Rear

42. Slider Subframe
43. Front Spring Hanger, RH/LH
44. Rear Spring Hanger, RH/LH
45. Equalizer Assembly
46. Pipe Brace
47. Torsion Cam Pipe
48. Scuff Liner
49. Link, Connecting
50. Pin, Locking
51. Spring, Compression
52. Handle, Lock Operating
53. Rear Door Assembly, CS  
Rear Door Assembly, RS
54. Slider Pad
55. Leaf Spring
56. Spring Seat
57. Top Plate
58. "U" Bolt
59. Torque Arm, Adjustable  
Torque Arm, Fixed
60. Torque Arm, Fixed
61. Brake System
62. Slack Adjuster
63. Air Chamber
64. Axle, Front and Rear

### ROLL-DOOR

1. Vertical Track Assembly
2. Hex Nut - 5/16" NC
3. Lock Washer - 5/16"
4. Hex Head Bolt - 5/16" NC x 7/8"
5. Bearing Assembly

6. Hex Head Set Screw - 3/8" NC x 7/8"
7. Cable Drum (Alum)
8. Spring Anchor Bracket
9. Spring Anchor Plug
10. Spring - 1-3/4" I.D.
11. Spring Winding Plug
12. Bearing Assembly - Support Bracket
13. Support Bracket - L.H.
14. Cable Drum - (Alum) L.H.
15. Counterbalance Shaft
16. Horizontal Track - L.H.
17. Lock Washer - 1/4"
18. Hex Nut - 1/4" NC
19. Hex Head Bolt - 1/4" NC x 1-3/4"
20. Drive Rivet
21. Head Seal Assembly
22. Retainer - Head Seal
23. Head Seal
24. Warning Sticker
25. Head Seal Assembly
26. Retainer - Head Seal
27. Head Seal
28. Top Panel

29. Intermediate Panel
30. Bottom Panel
31. Cable Assembly
32. Side Seal - Pair
33. Rivet - 1" LG.
34. Lift Handle
35. Pull Strap Retainer
36. Pull Strap - 30" Straight
37. Keeper Assembly
38. Maximum Security Lock Assembly
39. Rivet - 1-1/8" LG.
40. Catch Box
41. Rivet - 1-3/8" LG.
42. Warning Sticker - Safety Notice
43. Name Plate
44. Cotter Pin - 3/32" Dia.
45. Cable Anchor Bracket
46. Cable Anchor Pin
47. Bottom Seal
48. Bottom Angle
49. Bottom Roller Fixture
50. Roller
51. Spacer Washer-Roller

52. Step Bolt - 1/4" NC x 1-1/4"
53. End Hinge
54. Center Hinge
55. Base - Adjustable Top Fixture
56. Slide - Adjustable Top Fixture
57. Flatwasher - 3/8"
58. E-Lok Bolt - 3/8" NC
59. Filler Plug - 2-1/2" I.D. Spring
60. Drive Rivet - 3/16" Dia. x 9/32" LG.

### LANDING GEAR

1. Cross Channel
2. Landing Gear Leg, Gear Side
3. Landing Gear Leg, Non-gear Side
4. Brace, Landing Gear
5. Bracket, Landing Gear
6. Bracket / Lower Angle Brace
7. Cross Shaft
8. Crank Handle
9. Landing Gear Brace Ear

### AIR SUSPENSION

1. Frame Bracket
2. Equalizing Beam
3. Brake Chamber Mounting Bracket
4. Air Spring
5. Shock Absorber
6. Pivot Connection

### REAR IMPACT GUARD

1. Rear Impact Guard Tube
2. Rear Imp Guard Upright Roadside Outer
3. Rear Imp Guard Upright Curbside Outer
4. Rear Impact Guard Inner Upright
5. Reflective Tape