

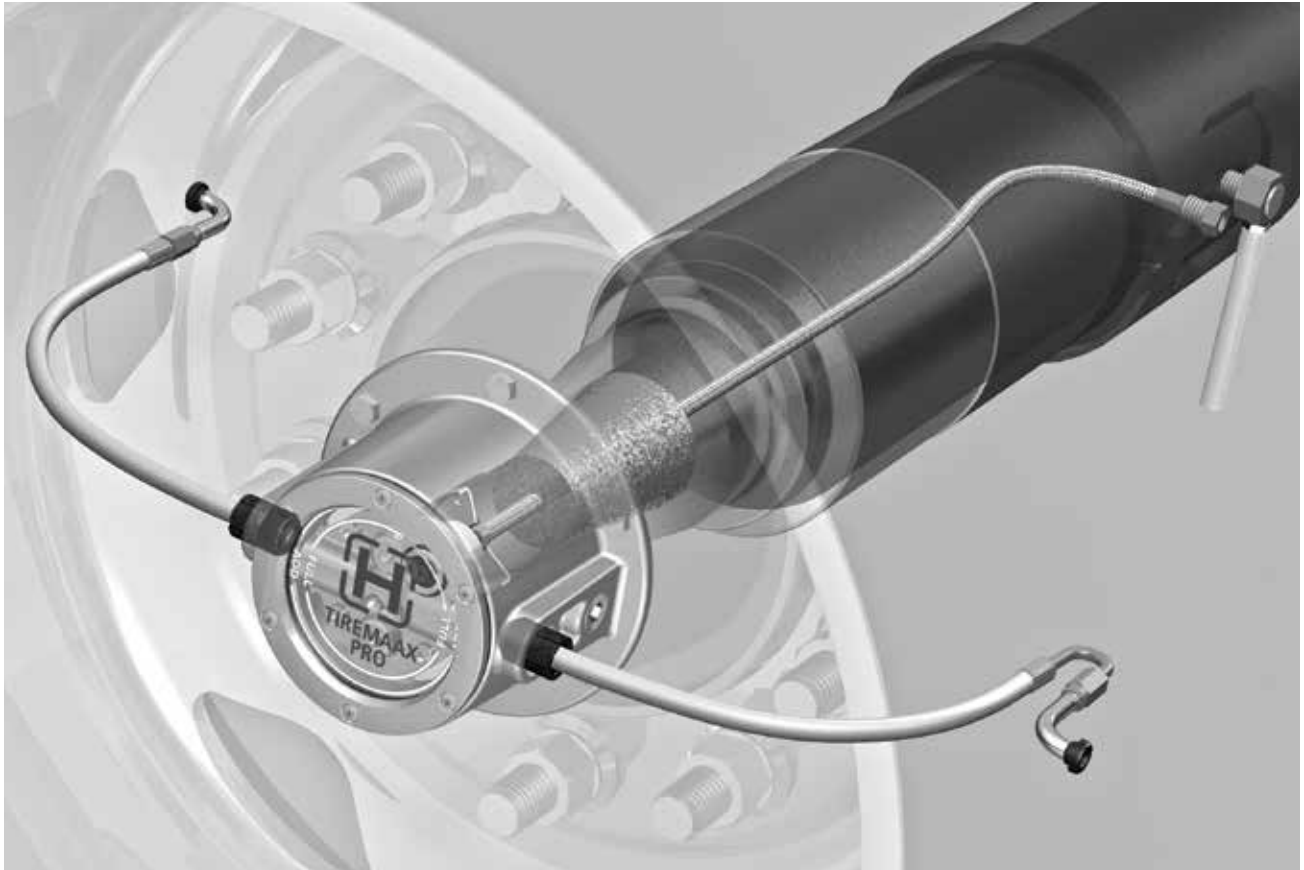
# **H PARTS LIST**

## **TIREMAAX®**

LIT NO: L878

DATE: November 2020

REVISION: Q



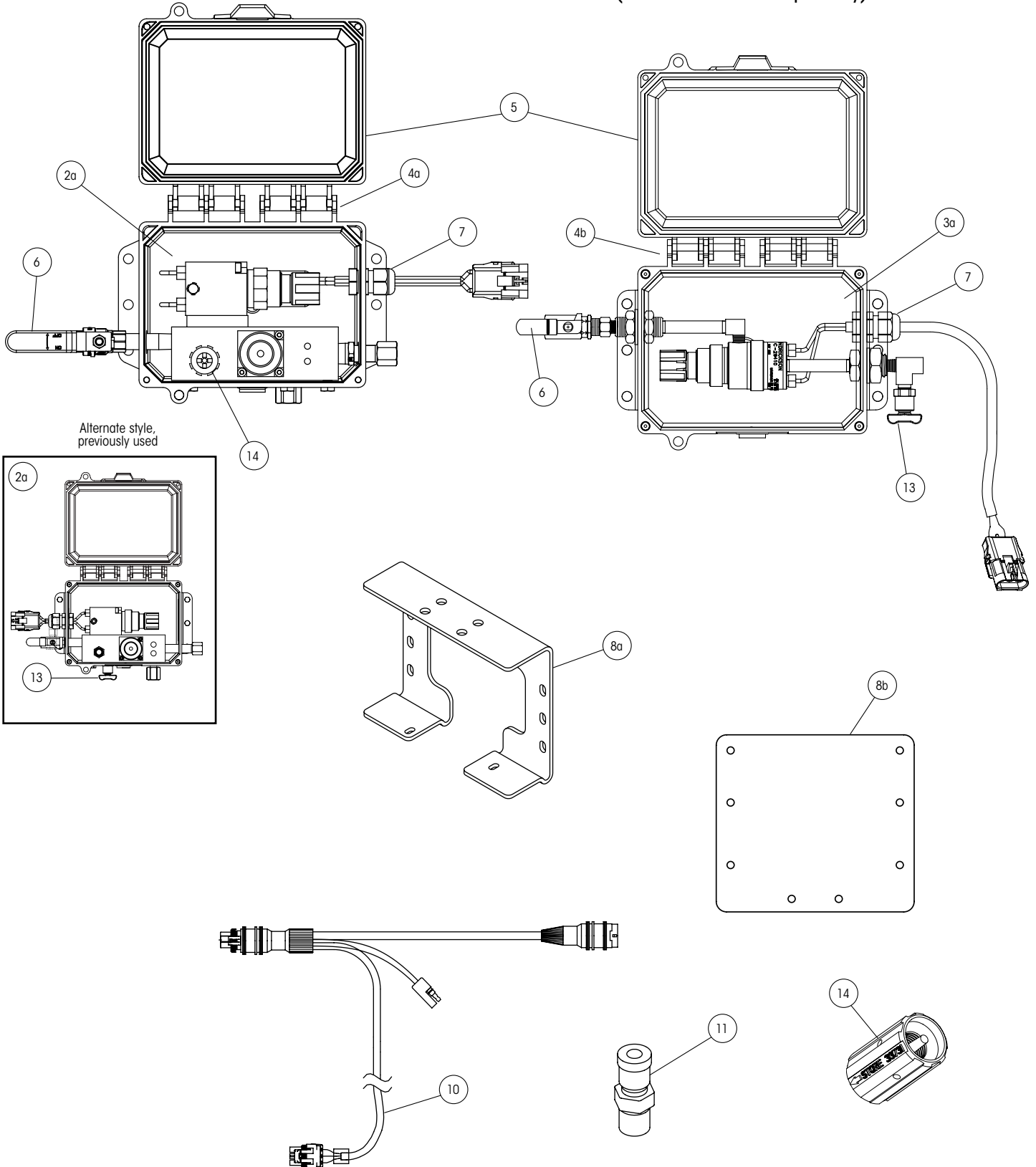
For complete service and installation instructions, refer to L818 (EC), L995 or T51002 found on the Hendrickson web site at [www.hendrickson-intl.com](http://www.hendrickson-intl.com).

### **TABLE OF CONTENTS**

|   |           |
|---|-----------|
| <b>TIREMAAX® PRO AND TIREMAAX CP (Built March 2012 or later with hubcap-mounted rotary union)</b> |           |
| PRO AND CP CONTROLLERS.....   | 2         |
| LIGHT KIT COMPONENTS AND MANIFOLDS.....   | 4         |
| AXLE AND WHEEL COMPONENTS.....  | 4         |
| TIRE HOSES.....   | 6         |
| <b>TIREMAAX EC AND TIREMAAX CP (Built prior to March 2012 with spindle-mounted rotary union)</b>  |           |
| EC CONTROLLERS.....   | 8         |
| AXLE AND WHEEL COMPONENTS.....  | 10        |
| TIRE HOSES.....   | 11        |
| <b>TOOLS AND ACCESSORIES.....</b>   | <b>12</b> |

**PRO CONTROLLER ASSEMBLY**

**CP CONTROLLER ASSEMBLY**  
(Tank valve shown separately)





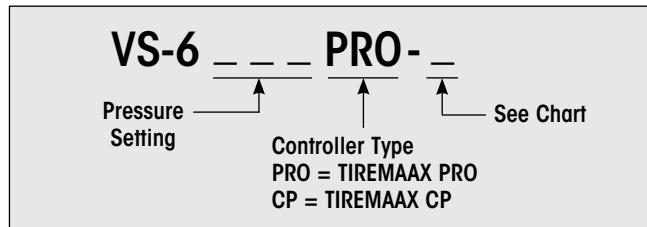
TIREMAAX® CONTROLLERS

ITEM DESCRIPTION

**1 CONTROLLER KIT** (Complete kit not shown)  
Available as assembled unit only

| Model         | Wheel Style           | PSI Range |
|---------------|-----------------------|-----------|
| TIREMAAX® PRO | Dual and Super Single | 85 to 120 |
| TIREMAAX CP   | Dual and Super Single | 70 to 120 |

Offered in 5 psi increments.



Example: Pro Controller Kit part number VS-6100PRO-1 is 100 psi with adapter plug, no indicator light and no controller tank valve.

| Controller Kit        |                          | -1 | -2 | -3 | -4 | -5 | -6 | -7 | -8 | -9 | -10 | -11 | -12 | -13 | -14 | -15 |
|-----------------------|--------------------------|----|----|----|----|----|----|----|----|----|-----|-----|-----|-----|-----|-----|
| Indicator Light Kit   | Incandescent – 12V       |    |    |    |    |    |    | X  |    | X  | X   |     |     |     |     |     |
|                       | No                       | X  | X  | X  | X  | X  | X  |    |    |    |     |     |     |     |     |     |
|                       | LED – 12V with 65' Cable |    |    |    |    |    |    |    | X  |    |     | X   | X   |     |     |     |
|                       | LED – 12V with 35' Cable |    |    |    |    |    |    |    |    |    |     |     |     | X   | X   | X   |
| Wiring Harness        | Adapter Plug             | X  |    |    | X  |    |    |    |    | X  |     | X   |     |     | X   |     |
|                       | 15' Heavy Duty           |    | X  |    |    | X  |    | X  | X  |    |     |     |     | X   |     |     |
|                       | 3' Heavy Duty            |    |    | X  |    |    | X  |    |    |    | X   |     | X   |     |     | X   |
| Controller Tank Valve | Yes*                     |    |    |    | X  | X  | X  |    |    |    |     |     |     |     |     |     |
|                       | No                       | X  | X  | X  |    |    |    | X  | X  | X  | X   | X   | X   | X   | X   | X   |

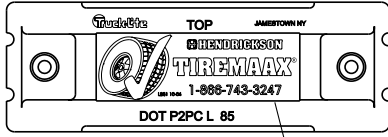
\*Not available on TIREMAAX PRO.

| ITEM      | DESCRIPTION   | PART NO.     | QTY. PER TANDEM | NOTE                                       |
|-----------|---|--------------|-----------------|--|
| <b>2</b>  | <b>PRO CONTROLLER ASSEMBLY</b>                                |              |                 | Available as assembled unit only           |
| a         | PRO Controller with Delphi Connector                          | VS-32074-XXX | 1               | Programmed to XXX psi                      |
| b         | PRO Controller with Blade Terminals (Not Shown)               | VS-34923-XXX | 1               | Programmed to XXX psi                      |
| <b>3</b>  | <b>CP CONTROLLER ASSEMBLY</b>                                 |              | 1               | Available as assembled unit only           |
| a         | CP Controller with Delphi Connector                           | VS-29865-XXX | 1               | Programmed to XXX psi                      |
| b         | CP Controller with Delphi Connector and Tank Valve            | VS-31520-XXX | 1               | Programmed to XXX psi                      |
| c         | CP Controller with Blade Terminals (Not Shown)                | VS-34920-XXX | 1               | Programmed to XXX psi                      |
| d         | CP Controller with Blade Terminals and Tank Valve (Not Shown) | VS-37987-XXX | 1               | Programmed to XXX psi                      |
| <b>4</b>  | <b>ENCLOSURE BOX WITH LID</b>                                 |              |                 |  |
| a         | PRO   | VS-31845-12  | 1               |  |
| b         | CP  | VS-31845-13  | 1               |  |
| <b>5</b>  | <b>PRO AND CP ENCLOSURE LID</b>                               | VS-34953     | 1               |  |
| <b>6</b>  | <b>BALL VALVE</b>   | VS-33730     | 1               |  |
| <b>7</b>  | <b>STRAIN RELIEF</b>  | VS-29421     | 1               |  |
| <b>8</b>  | <b>MOUNTING BRACKET</b>                                       |              |                 |  |
| a         | For Spring Suspensions  | VS-29859     | 1               | Optional                                   |
| b         | For ULTRAA-K® Suspension                                      | VS-35291     | 1               | Optional for mounting to front crossmember |
| <b>9</b>  | <b>ADAPTER PLUG</b> (Not Shown)                               | VS-29857     | 1               | 18-inch; 3-way connector                   |
| <b>10</b> | <b>ABS JUNCTION HARNESS</b>                                   |              |                 |  |
| a         | 15-foot; 3-way Connector                                      | VS-30270     | 1               |  |
| b         | 3-foot; 3-way Connector                                       | VS-30270-1   | 1               |  |
| <b>11</b> | <b>TANK VALVE</b>   | VS-31519     | 1               | Optional on CP                             |
| <b>12</b> | <b>LIQUID-FILLED PRESSURE GAUGE</b> (Not Shown)               | VS-31498     | 1               | Optional on PRO                            |
| <b>13</b> | <b>PETCOCK</b>  | VS-29409     | 1               | On PRO models prior to February 2015       |
| <b>14</b> | <b>TEST PORT VENT</b>   | VS-33731     | 1               | On PRO models after February 2015          |

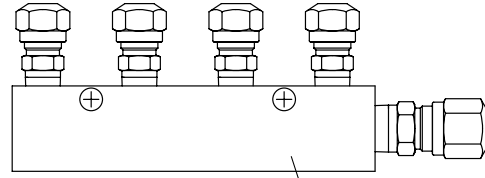
# TIREMAAX® PARTS LIST



## TIREMAAX® LIGHT KIT COMPONENTS AND MANIFOLDS

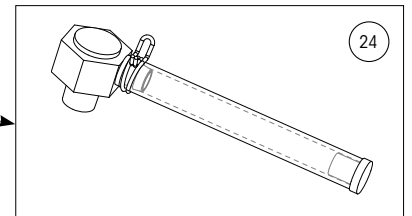
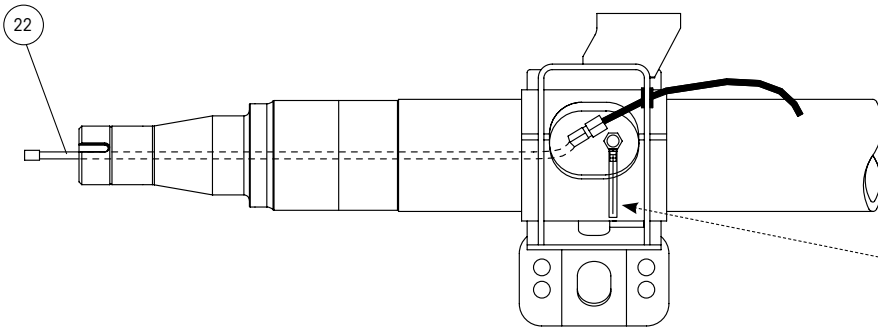
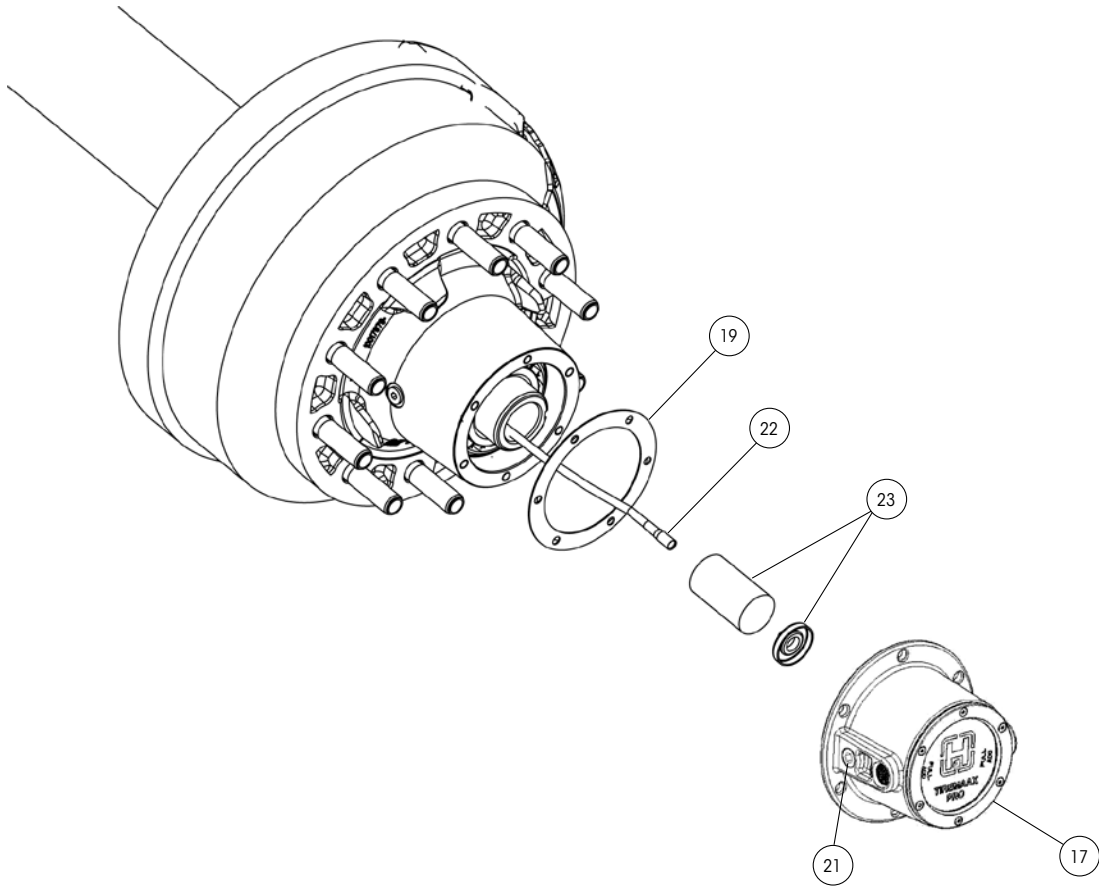


15



16

## TIREMAAX AXLE AND WHEEL COMPONENTS



24



## TIREMAAX® LIGHT KIT COMPONENTS AND MANIFOLDS

| ITEM      | DESCRIPTION   | PART NO.   | QTY. PER TANDEM | NOTE   |
|-----------|---|------------|-----------------|--|
| <b>15</b> | <b>TRAILER MOUNTED INDICATOR LIGHT KIT</b> (Complete Kit Not Shown) |            |                 |  |
| a         | Kit – Incandescent 12V with 60-foot Cable                           | VS-28059   | 1               | Light, gasket, ground wire and 60-foot cable |
| b         | Kit – LED 12V with 65-foot Cable                                    | VS-28059-1 | 1               | Light, bracket and 65-foot cable             |
| c         | Kit – LED 12V with 35-foot Cable                                    | VS-28059-3 | 1               | Light, bracket and 35-foot cable             |
| d         | Kit – LED 24V with 65-foot Cable                                    | VS-28059-2 | 1               | Light, bracket and 65-foot cable             |
| e         | Light – Incandescent 12V  | VS-28526   | 1               | Light only                                   |
| f         | Light – LED 12V   | VS-29880   | 1               | Light only                                   |
| g         | Light – LED 24V   | VS-33119   | 1               | Light only                                   |
| h         | Cable – Incandescent 12V, 60-foot                                   | VS-28336   | 1               | Cable only                                   |
| i         | Cable – LED, 65-foot  | VS-29883   | 1               | Cable only                                   |
| j         | Cable – LED, 35-foot  | VS-29883-1 | 1               | Cable only                                   |
| k         | Mounting Bracket – LED  | VS-29879   | 1               | Bracket only                                 |
| <b>16</b> | <b>MANIFOLD</b>   |            |                 |  |
| a         | Tandem Manifold   | VS-30410   | 1               |  |
| b         | Tridem Manifold   | VS-30470   | 1               |  |

## TIREMAAX AXLE AND WHEEL COMPONENTS

|           |  |            |   |   |
|-----------|--|------------|---|---|
| <b>17</b> | <b>HUBCAP</b>                                      |            |   | Hubcap, gasket and fasteners  |
| a         | PRO HN Oil - Dual/Super Single Tires               | VS-32055-1 | 4 |   |
| b         | PRO HN Grease - Dual/Super Single Tires            | VS-32055-3 | 4 |   |
| c         | PRO HP Oil - Dual/Super Single Tires               | VS-32056-1 | 4 |   |
| d         | PRO HP Grease - Dual/Super Single Tires            | VS-32056-3 | 4 |   |
| e         | CP HN Oil - Dual/Super Single Tires                | VS-32068-1 | 4 |   |
| f         | CP HN Grease - Dual/Super Single Tires             | VS-32068-3 | 4 |   |
| g         | CP HP Oil - Dual/Super Single Tires                | VS-32070-1 | 4 |   |
| h         | CP HP Grease - Dual/Super Single Tires             | VS-32070-3 | 4 |   |
| i         | PRO Extended HP Oil - Dual / Super Single Tires    | VS-32057-1 | 4 | For use with castellated nut  |
| j         | PRO Extended HP Grease - Dual / Super Single Tires | VS-32057-3 | 4 | For use with castellated nut  |
| <b>18</b> | <b>HUBCAP WINDOW REPLACEMENT KITS</b> (Not Shown)  |            |   | Hubcap lens, lens plate, tri-lobe screws                              |
| a         | CP Oil   | VS-32054-1 | 4 |   |
| b         | CP Grease  | VS-32054-2 | 4 |   |
| c         | PRO Oil  | VS-32054-3 | 4 |   |
| d         | PRO Grease   | VS-32054-4 | 4 |   |
| <b>19</b> | <b>HUBCAP GASKETS</b>                              |            |   |   |
| a         | HP Gasket  | S-32097    | 4 |   |
| b         | HN Gasket  | S-32098    | 4 |   |
| <b>20</b> | <b>HUBCAP PORT PROTECTION PLUG</b> (Not Shown)     |            |   | For super single applications   |
| a         | PRO AND CP (Purchased after 09/01/2013)            | VS-33686   | 4 | Light grey, permanent threaded nylon plug                             |
| <b>21</b> | <b>HUBCAP FILL PORT PIPE PLUG</b>                  | A-33074    | 4 |   |
| <b>22</b> | <b>AXLE HOSE</b>                                   |            |   |   |
| a         | INTRAAX® / VANTRAAX®                               | VS-32087-1 | 4 | Requires (1) axle vent VS-32101 per axle                              |
| b         | TRLAXLE®, 71.5" to 83" track                       | VS-32087-2 | 4 | Requires (1) axle vent VS-32101-1 per axle                            |
| c         | TRLAXLE, 83.5" to 92" track                        | VS-32087-3 | 4 | Requires (1) axle vent VS-32101-1 per axle                            |
| d         | CONNEX® ST   | VS-32087-4 | 4 | Requires (1) axle vent VS-32101 per wheel-end                         |
| <b>23</b> | <b>SPINDLE PLUG ASSEMBLY</b>                       |            |   |   |
| a         | HN - 1.75"   | VS-33092-1 | 4 |   |
| b         | HUS/P90 and HP - 2.75"                             | VS-33092-2 | 4 |   |
| <b>24</b> | <b>AXLE VENT</b>                                   |            |   |   |
| a         | INTRAAX/VANTRAAX                                   | VS-32101   | 2 |   |
| b         | TRLAXLE  | VS-32101-1 | 2 |   |
| <b>25</b> | <b>AXLE KIT</b> (Not Shown)                        |            |   | Axle hoses, filters, vent assembly, spindle plugs and air line tubing |
| a         | INTRAAX/VANTRAAX                                   | VS-9201TM  | 2 |   |
| b         | TRLAXLE, 71.5" to 83" track                        | VS-9202TM  | 2 |   |
| c         | TRLAXLE, 83.5" to 92" track                        | VS-9204TM  | 2 |   |

# TIREMAAX® PARTS LIST



| TIREMAAX® TIRE HOSES |   |             |                 |                      |
|----------------------|---|-------------|-----------------|----------------------|
| ITEM                 | DESCRIPTION   | PART NO.    | QTY. PER TANDEM | NOTE                 |
| 26                   | TIRE HOSE, STANDARD – STRAIGHT FITTING              | See Chart A |                 |                      |
| 27                   | TIRE HOSE, STANDARD – 180-DEGREE FITTING            | See Chart A |                 |                      |
| 28                   | TIRE HOSE, INTEGRAL CHECK PORT – STRAIGHT FITTING   | See Chart A |                 |                      |
| 29                   | TIRE HOSE, INTEGRAL CHECK PORT – 180-DEGREE FITTING | See Chart A |                 |                      |
| 30                   | TIRE HOSE KITS (Individual Components Shown)        | See Chart B |                 |                      |
| 31                   | TIRE HOSE O-RING SERVICE KIT (Not Shown)            | VS-34935    | 2               | (10) O-rings per kit |

| CHART A – TIRE HOSES |                     |                |            |                          |            |              |                 |               |                 |
|----------------------|---------------------|----------------|------------|--------------------------|------------|--------------|-----------------|---------------|-----------------|
| ITEM                 | HOSE STYLE          | WHEEL STYLE    | TIRE SIZE  | WHEEL MATERIAL           | POSITION   | FITTING      | QTY. PER TANDEM | PART NUMBER   |                 |
|                      |                     |                |            |                          |            |              |                 | THERMOPLASTIC | STAINLESS STEEL |
| 26 & 27              | Standard            | Dual           | 17.5"      | Steel, Aluminum or Combo | Inner      | Straight     | 4               | VS-33767-4    | VS-31503-2      |
|                      |                     |                |            |                          | Outer      | 180-Degree   | 4               | VS-33769-3    | VS-31504-1      |
|                      |                     |                | 19.5"      | Aluminum                 | Inner      | Straight     | 4               | VS-33767-4    | VS-31503-2      |
|                      |                     |                |            |                          | Outer      | 180-Degree   | 4               | VS-33769-1    | VS-31504-1      |
|                      |                     |                |            | Steel or Combo           | Inner      | Straight     | 4               | VS-33767-2    | VS-31503-2      |
|                      |                     |                |            |                          | Outer      | 180-Degree   | 4               | VS-33769-3    | VS-31504-1      |
|                      |                     |                | 22.5"      | Aluminum                 | Inner      | Straight     | 4               | VS-33767-5    | VS-31503-2*     |
|                      |                     |                |            |                          | Outer      | 180-Degree   | 4               | VS-33769-1    | VS-31504-1*     |
|                      |                     |                |            | Steel or Combo           | Inner      | Straight     | 4               | VS-33767-1    | VS-31503-1      |
|                      |                     |                |            |                          | Outer      | 180-Degree   | 4               | VS-33769-1    | VS-31504-2      |
|                      |                     |                | 24.5"      | Aluminum                 | Inner      | Straight     | 4               | VS-33767-2    | VS-31503-1      |
|                      |                     |                |            |                          | Outer      | 180-Degree   | 4               | VS-33769-2    | VS-31504-2      |
|                      |                     | Steel or Combo |            | Inner                    | Straight   | 4            | VS-33767-1      | VS-31503-1    |                 |
|                      |                     |                |            | Outer                    | 180-Degree | 4            | VS-33769-1      | VS-31504-2    |                 |
|                      |                     | Super Single   | 22.5"      | Aluminum                 | N/A        | Straight     | 4               | VS-33767-3    | VS-31503-3      |
|                      |                     |                |            |                          | Steel      | Inboard Stem | Straight        | 4             | VS-33767-3      |
| Outboard Stem        | 180-Degree          |                |            | 4                        |            | VS-33769-1   | VS-31504-1      |               |                 |
| 28 & 29              | Integral Check Port |                |            | Dual                     | 22.5"      | Aluminum     | Inner           | Straight      | 4               |
|                      |                     | Outer          | 180-Degree |                          |            |              | 4               | VS-40177-1    | –               |
|                      |                     | Steel or Combo | Inner      |                          |            | Straight     | 4               | VS-40176-3    | –               |
|                      |                     |                | Outer      |                          |            | 180-Degree   | 4               | VS-40177-1    | –               |
|                      |                     | Super Single   | 22.5"      | Aluminum                 | N/A        | Straight     | 4               | VS-40176-1    | –               |
|                      |                     |                |            |                          | Steel      | Inboard Stem | Straight        | 4             | VS-40176-1      |
|                      |                     |                |            | Outboard Stem            |            | 180-Degree   | 4               | VS-40177-1    | –               |

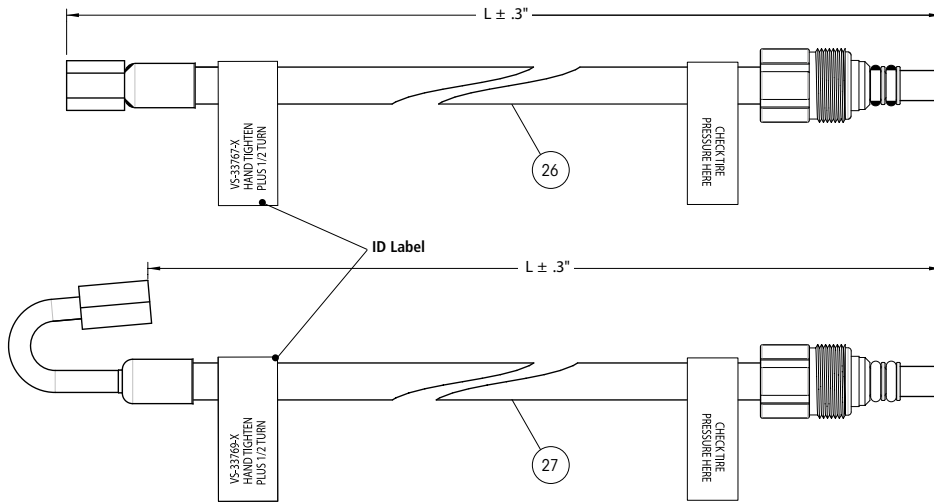
\* Part number listed may not match part number found on the stainless steel tire hose ID label. The part number listed above provides an optimal length for the 22.5" aluminum wheel set-up. Customer can replace like-for-like or order the part number above, which will be approximately one inch shorter.



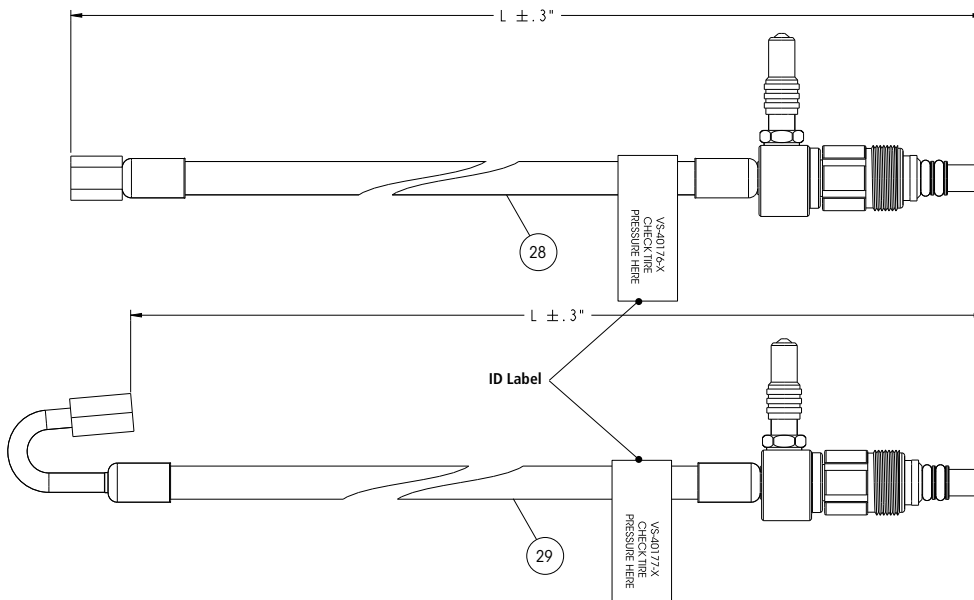
CHART B – TIRE HOSE KITS

| ITEM                  | HOSE STYLE          | WHEEL STYLE  | TIRE SIZE            | WHEEL MATERIAL           | QTY. PER TANDEM                   | THERMOPLASTIC PART NUMBER         | NOTE                              |
|-----------------------|---------------------|--------------|----------------------|--------------------------|-----------------------------------|-----------------------------------|-----------------------------------|
| 30                    | Standard            | Dual         | 17.5"                | Steel, Aluminum or Combo | 2                                 | VS-8301TM                         | (2) VS-33767-4 and (2) VS-33769-3 |
|                       |                     |              | 19.5"                | Aluminum                 | 2                                 | VS-8302TM                         | (2) VS-33767-4 and (2) VS-33769-1 |
|                       |                     |              |                      | Steel or Combo           | 2                                 | VS-8303TM                         | (2) VS-33767-2 and (2) VS-33769-3 |
|                       |                     |              | 22.5"                | Aluminum                 | 2                                 | VS-8304TM                         | (2) VS-33767-5 and (2) VS-33769-1 |
|                       |                     |              |                      | Steel or Combo           | 2                                 | VS-8305TM                         | (2) VS-33767-1 and (2) VS-33769-1 |
|                       |                     | 24.5"        | Aluminum             | 2                        | VS-8306TM                         | (2) VS-33767-2 and (2) VS-33769-2 |                                   |
|                       |                     |              | Steel or Combo       | 2                        | VS-8305TM                         | (2) VS-33767-1 and (2) VS-33769-1 |                                   |
|                       |                     | Super Single | 22.5"                | Aluminum                 | 2                                 | VS-8307TM                         | (2) VS-33767-3                    |
|                       |                     |              |                      | Steel (Inboard Stem)     | 2                                 | VS-8307TM                         | (2) VS-33767-3                    |
|                       |                     |              |                      | Steel (Outboard Stem)    | 2                                 | VS-8308TM                         | (2) VS-33769-1                    |
|                       | Integral Check Port |              | Dual                 | 22.5"                    | Aluminum                          | 2                                 | VS-8404TM                         |
|                       | Steel or Combo      | 2            | VS-8405TM            |                          | (2) VS-40176-3 and (2) VS-40177-1 |                                   |                                   |
|                       | Super Single        | 22.5"        | Aluminum             | 2                        | VS-8407TM                         | (2) VS-40176-1                    |                                   |
|                       |                     |              | Steel (Inboard Stem) | 2                        | VS-8407TM                         | (2) VS-40176-1                    |                                   |
| Steel (Outboard Stem) |                     |              | 2                    | VS-8408-TM               | (2) VS-40177-1                    |                                   |                                   |

STANDARD HOSES



INTEGRAL CHECK PORT HOSES

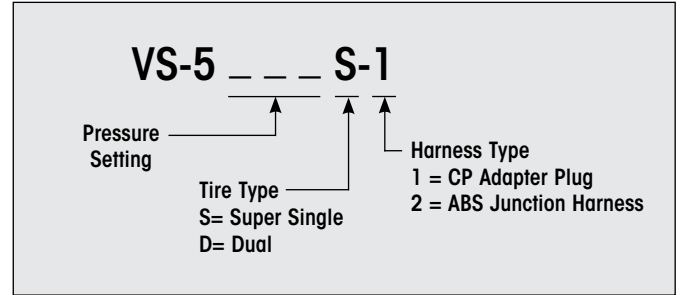


## TIREMAAX® CONTROLLERS

| ITEM | DESCRIPTION           | PART NO. | QTY. PER TANDEM | NOTE |
|------|-----------------------|----------|-----------------|------|
| 1    | EC to CP Retrofit Kit |          | 1               |      |

| Model       | PSI Range |
|-------------|-----------|
| TIREMAAX EC | 70 to 130 |

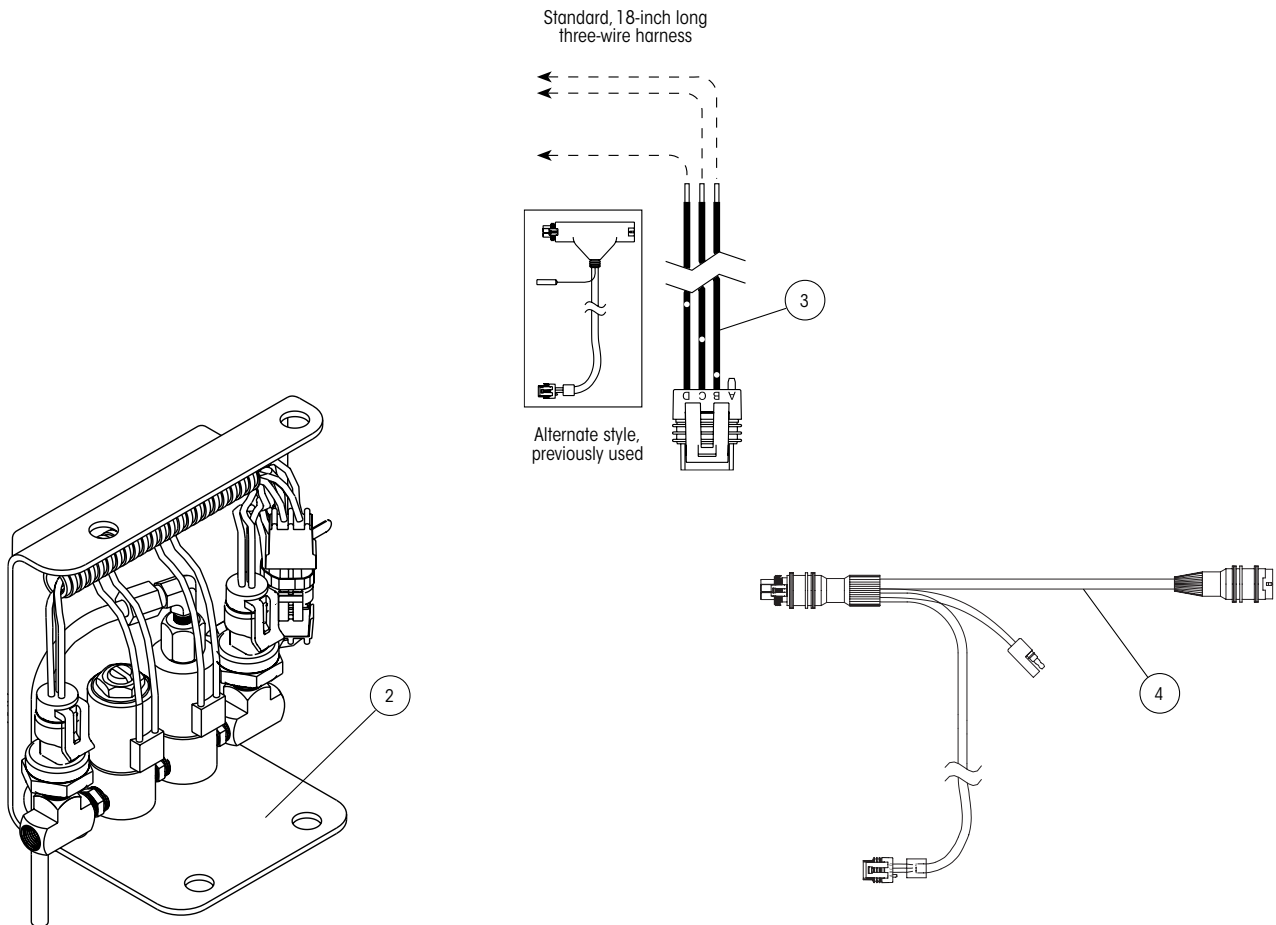
Offered in 5 psi increments.



Example: Conversion Kit Part Number VS-5100S-1 is 100 psi for Super Single with CP Adapter Plug.

| ITEM | DESCRIPTION             | PART NO. | QTY. PER TANDEM | NOTE                                      |
|------|-------------------------|----------|-----------------|---|
| 2    | EC Controller Assembly  |          |                 | No longer available — replace with item 1 |
| 3    | EC Adapter Plug         | VS-27771 | 1               | 18-inch; 4-way connector                  |
| 4    | EC ABS Junction Harness | VS-29884 | 1               | 15-foot; 4-way connector                  |

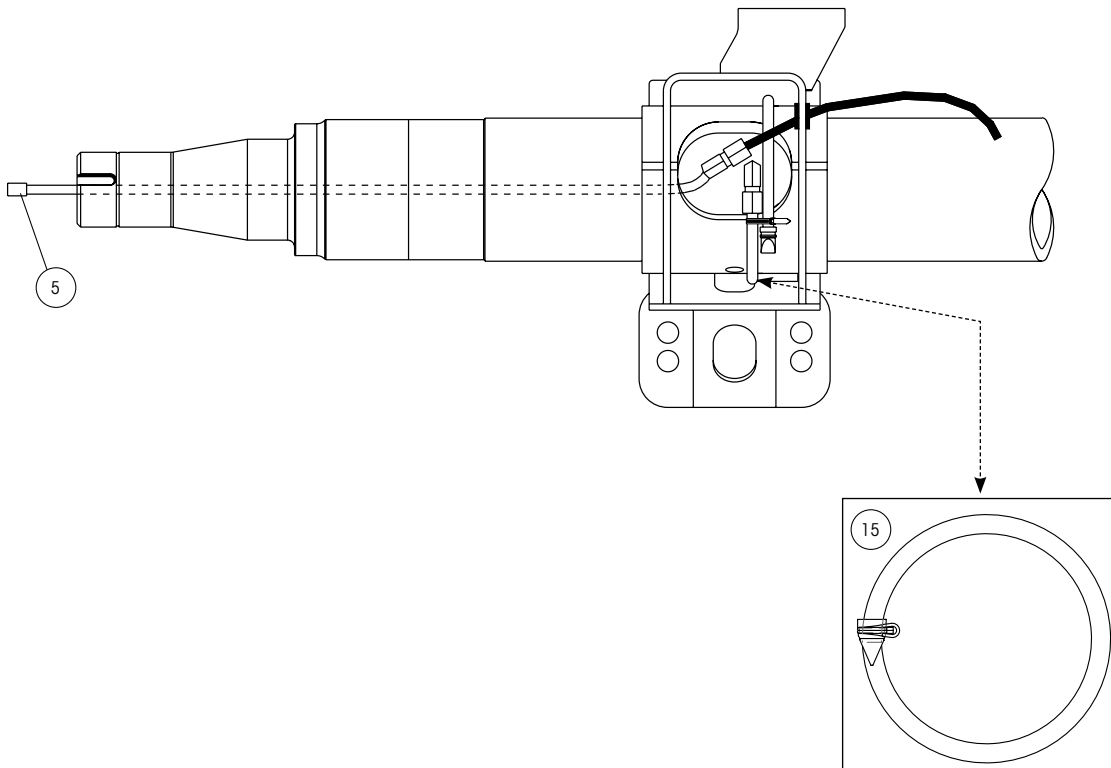
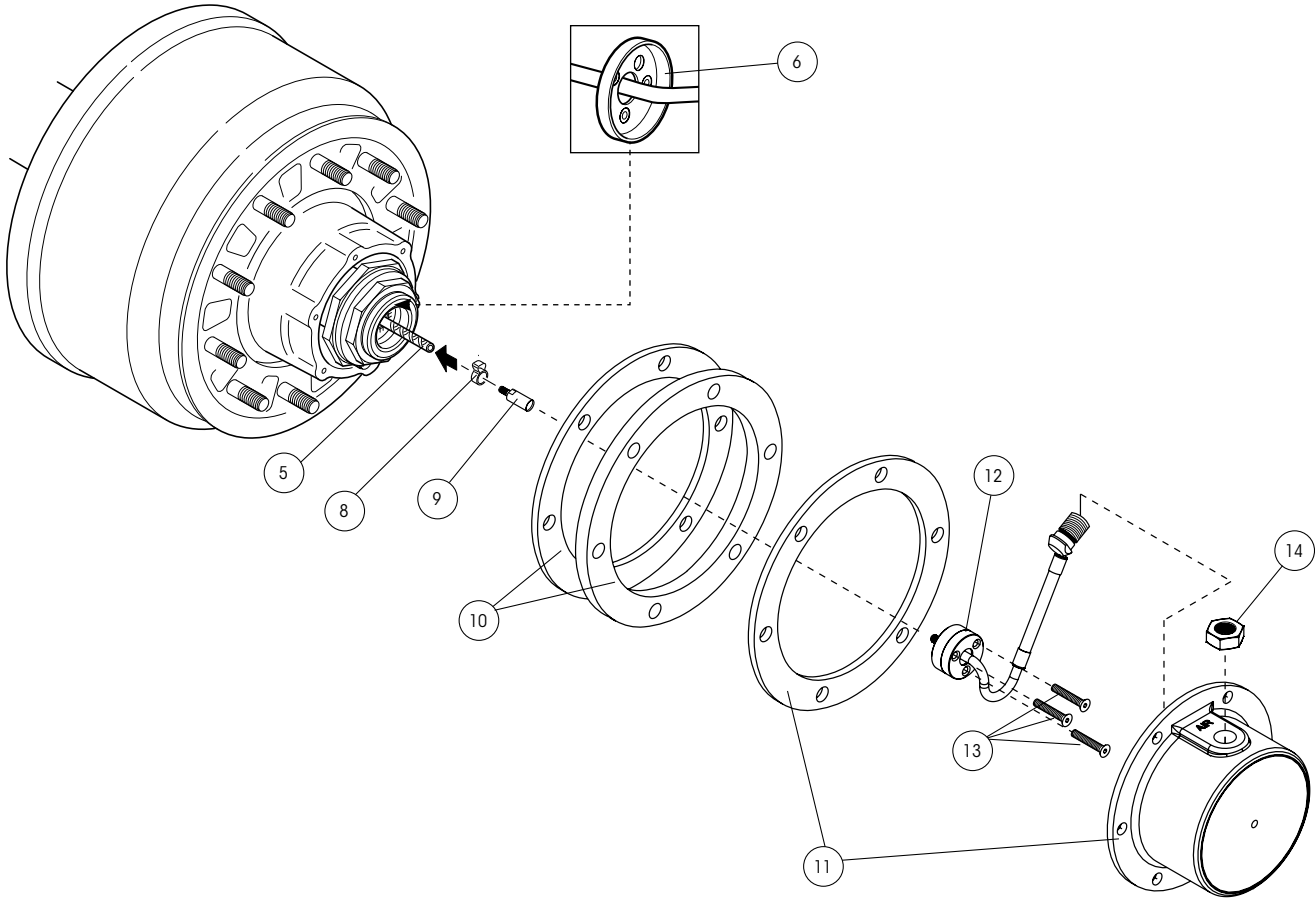
TIREMAAX® EC and CP (With Spindle-Mounted Rotary Union)







TIREMAAX® AXLE AND WHEEL COMPONENTS



TIREMAAX® EC (With Spindle-Mounted Rotary Union)

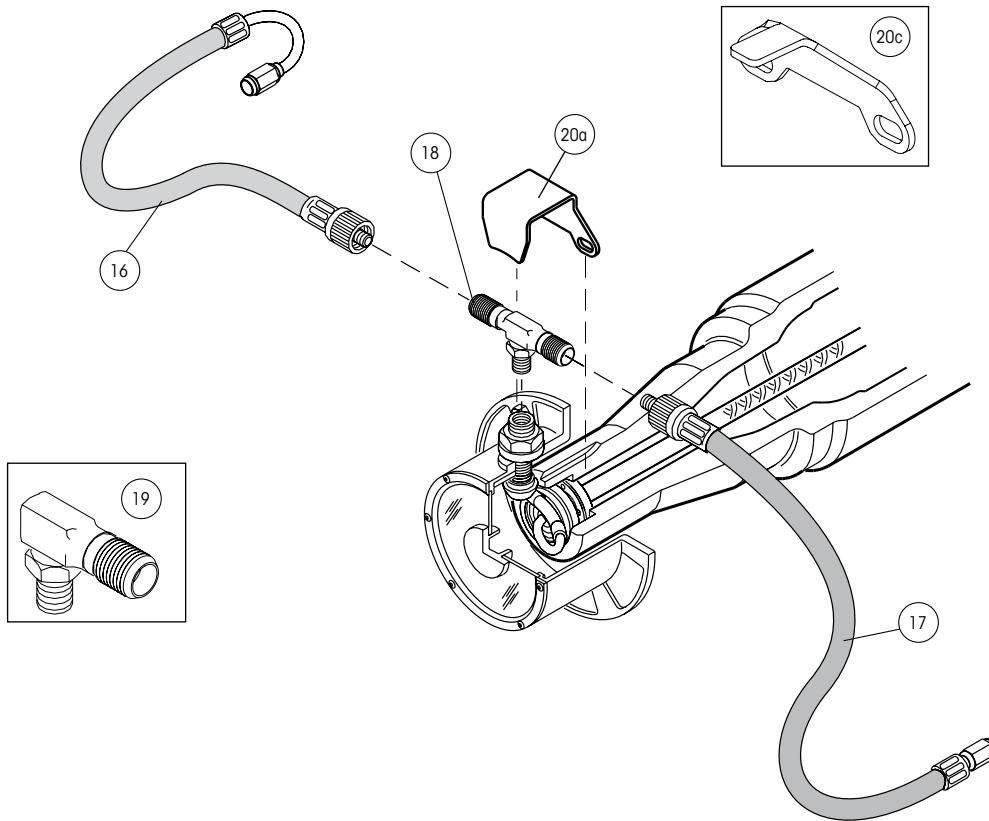
## TIREMAAX® AXLE AND WHEEL COMPONENTS

| ITEM      | DESCRIPTION                                     | PART NO.              | QTY. PER TANDEM | NOTE   |
|-----------|---|-----------------------|-----------------|--|
| <b>5</b>  | <b>AXLE HOSE</b>                                |                       |                 |  |
|           | a INTRAAX®/VANTRAAX®                            | VS-29094-1            | 4               |  |
|           | b TRLAXLE®                                      | VS-29094-2            | 4               |  |
| <b>6</b>  | <b>SPINDLE PLUG ASSEMBLY</b>                    |                       |                 |  |
|           | a HN - 1.75"                                    | VS-27448              | 4               |  |
|           | b HP - 2.50"                                    | VS-27839              | 4               |  |
|           | c HUS/P90 and HP - 2.75"                        | VS-27449              | 4               |  |
| <b>7</b>  | <b>AXLE FILTER</b> (Not Shown)                  | A-24217               | 4               |  |
| <b>8</b>  | <b>AXLE HOSE CLAMP</b>                          | VS-26451              | 4               | Not required with threaded axle hose   |
| <b>9</b>  | <b>HOSE END ADAPTER</b>                         | VS-28865              | 4               | Axle hose fitting and (2) axle hose clamps   |
| <b>10</b> | <b>HUBCAP SPACER KIT</b>                        |                       |                 |  |
|           | a HN Hubcap Spacer Kit                          | S-28040               | 4               |  |
|           | b HP Hubcap Spacer Kit                          | S-28093               | 4               |  |
| <b>11</b> | <b>HUBCAP</b>                                   |                       |                 |  |
|           | a HN Grease - Standard                          | VS-29566-1            | 4               | Bolt-on hubcap, gasket and fasteners   |
|           | b HN Oil - Standard                             | VS-29566-3            | 4               | Bolt-on hubcap, gasket and fasteners   |
|           | c HP Grease - Standard                          | VS-29566-2            | 4               | Bolt-on hubcap, gasket and fasteners   |
|           | d HP Oil - Standard                             | VS-29566-4            | 4               | Bolt-on hubcap, gasket and fasteners   |
|           | e HUS/P90 Screw-on                              | (No Longer Available) | 4               | Contact Hendrickson Technical Service  |
|           | f HUS/P90 6-bolt                                | VS-29566-2            | 4               | Bolt-on hubcap, gasket and fasteners   |
|           | g HUS/P90 3-bolt                                | S-29227-2             | 4               | Bolt-on hubcap with integrated o-ring  |
|           | h HN Grease - Stemco Extended for Pro-Torq® Nut | (No Longer Available) |                 | Replaced by 11a and 10a  |
|           | i HP Grease - Stemco Extended for Pro-Torq Nut  | (No Longer Available) |                 | Replaced by 11c and 10b  |
|           | j HN Oil - Stemco Extended for Pro-Torq Nut     | (No Longer Available) |                 | Replaced by 11b and 10a  |
|           | k HP Oil - Stemco Extended for Pro-Torq Nut     | (No Longer Available) | 4               | Replaced by 11d and 10b  |
| <b>12</b> | <b>ROTARY UNION KITS</b>                        |                       |                 |  |
|           | a No Spindle Plug                               | S-28622               | 4               | (1) rotary union assembly, (1) hose clamp, (4) machine screws, (1) hose end adapter and (1) jam nut  |
|           | b HN Spindle Plug                               | S-28192               | 4               | (1) rotary union assembly, (1) 1.75" spindle plug, (1) hose clamps, (4) machine screws, (1) hubcap gasket, (1) hose end adapter and (1) jam nut                    |
|           | c HP and HUS/P90 Spindle Plug                   | S-28193               | 4               | (1) rotary union assembly, (1) 2.75" spindle plug, (1) hose clamps, (4) machine screws, (1) hubcap gasket, (1) hubcap o-ring, (1) hose end adapter and (1) jam nut |
| <b>13</b> | <b>COUNTERSUNK CAP SCREW</b>                    | SA-8200-8             | 12              | Order (3) per rotary union   |
| <b>14</b> | <b>JAM NUT</b>                                  | VS-26487              | 4               |  |
| <b>15</b> | <b>AXLE VENT KIT W/ DUCK BILL CHECK</b>         | VS-27378              | 4               |  |



TIREMAX® TIRE HOSES

| ITEM      | DESCRIPTION                             | PART NO.   | QTY. PER TANDEM | NOTE   |
|-----------|---|------------|-----------------|--|
| <b>16</b> | <b>TIRE HOSE - 180-DEGREE FITTING</b>   |            |                 |  |
| a         | Stainless Steel Tire Hose 11.5"         | VS-29004-1 | 4               | Dual tire size 17" - 19.5"                                       |
| b         | Stainless Steel Tire Hose 15"           | VS-29004-2 | 4               | Dual tire size greater than 19.5"                                |
| <b>17</b> | <b>TIRE HOSE - STRAIGHT FITTING</b>     |            |                 |  |
| a         | Stainless Steel Tire Hose 16.6"         | VS-29003-1 | 4               | Dual tire size greater than 17";<br>Super single tire size 22.5" |
| <b>18</b> | <b>TEE FITTING</b>                      | VS-29854   | 4               | For dual tires   |
| <b>19</b> | <b>90-DEGREE ELBOW FITTING</b>          | VS-30002   | 4               | For super single tires   |
| <b>20</b> | <b>TEE FITTING GUARD</b>                |            |                 |  |
| a         | HN and HP, Standard Bolt-On             | VS-27890   | 4               | For use with dual dynamic hubcaps                                |
| b         | HN and HP, Extended Bolt-On (Not Shown) | VS-30451   | 4               | For use with Stemco extended hubcaps                             |
| c         | HUS Bolt-on                             | S-28914    | 4               | 6 bolts  |

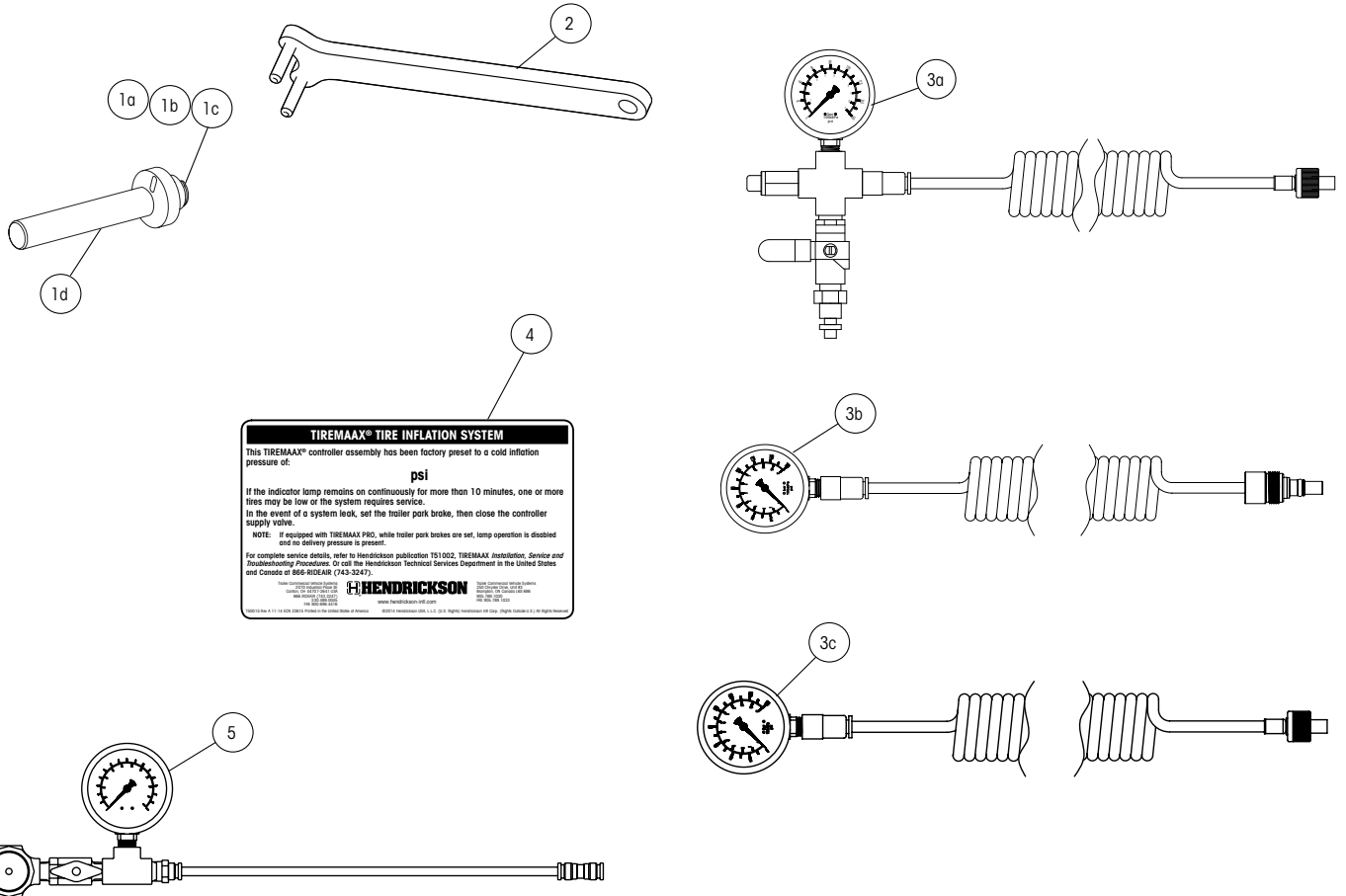


TIREMAX® EC and CP (With Spindle-Mounted Rotary Union)



## TIREMAAX® TOOLS / ACCESSORIES

| ITEM     | DESCRIPTION                                  | PART NO.  | QTY. | NOTE  |
|----------|--|-----------|------|---|
| <b>1</b> | <b>PLUG DRIVER</b>                           |           |      |   |
|          | a HN (1.75")                                 | S-28146-1 | 1    |   |
|          | b HP (2.50")                                 | S-28146-2 | 1    |   |
|          | c HP and HUS®/P90 (2.75")                    | S-28146-3 | 1    |   |
|          | d Driver Handle                              | S-27399   | 1    |   |
| <b>2</b> | <b>SPANNER WRENCH</b>                        | S-29430   | 1    |   |
| <b>3</b> | <b>TARGET GAUGE</b>                          |           |      |   |
|          | a PRO  | VS-32331  | 1    |   |
|          | b CP with Hubcap-Mounted Rotary Union        | VS-32344  | 1    |   |
|          | c CP with Spindle-Mounted Rotary Union       | VS-30468  | 1    |   |
| <b>4</b> | <b>BLANK PSI DECAL</b>                       | T50015    | 1    | Fill in and adhere to controller lid after resetting cold tire pressure |
| <b>5</b> | <b>PRESSURE TESTER</b>                       | VS-28707  | 1    | For EC controller   |
| <b>6</b> | <b>TIRE HOSE / WHEEL GROMMET (Not Shown)</b> |           |      |   |
|          | a 1.5" Hand Hole with Offset Valve Stem      | VS-33675  | 2    | (2) Grommets per kit  |
|          | b 2.0" Hand Hole with Centered Valve Stem    | VS-33107  | 2    | (2) Grommets per kit  |
|          | c 2.5" Hand Hole with Centered Valve Stem    | VS-33108  | 2    | (2) Grommets per kit  |
|          | d 2.5" Hand Hole with Offset Valve Stem      | VS-33109  | 2    | (2) Grommets per kit  |



TOOLS / ACCESSORIES









*Actual product performance may vary depending upon vehicle configuration, operation, service and other factors.*

*All applications must comply with applicable Hendrickson specifications and must be approved by the respective vehicle manufacturer with the vehicle in its original, as-built configuration.  
Contact Hendrickson for additional details regarding specifications, applications, capacities, and operation, service and maintenance instructions.*

**Call Hendrickson at 330.489.0045 or 866.RIDEAIR (743.3247) for additional information.**



[www.hendrickson-intl.com](http://www.hendrickson-intl.com)

**TRAILER COMMERCIAL VEHICLE SYSTEMS**

2070 Industrial Place SE  
Canton, OH 44707-2641 USA  
866.RIDEAIR (743.3247)  
330.489.0045 • Fax 800.696.4416

**Hendrickson Canada**

250 Chrysler Drive, Unit #3  
Brampton, ON Canada L6S 6B6  
800.668.5360  
905.789.1030 • Fax 905.789.1033

**Hendrickson Mexicana**

Circuito El Marqués Sur #29  
Parque Industrial El Marqués  
Pob. El Colorado, Municipio El Marqués,  
Querétaro, México C.P. 76246  
+52 (442) 296.3600 • Fax +52 (442) 296.3601

L878 Rev Q 11-20

© 2004 - 2020 Hendrickson USA, L.L.C. All Rights Reserved. All trademarks shown are owned by Hendrickson USA, L.L.C., or one of its affiliates, in one or more countries.  
Information contained in this literature was accurate at the time of publication. Product changes may have been made after the copyright date that are not reflected.

Printed in United States of America