



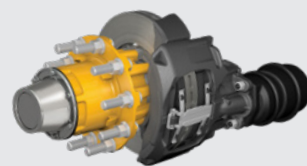
P89 PARALLEL



P89 TAPER



P89 PLUS



P89 INTEGRAL®



C88



ADB SERVICE PARTS

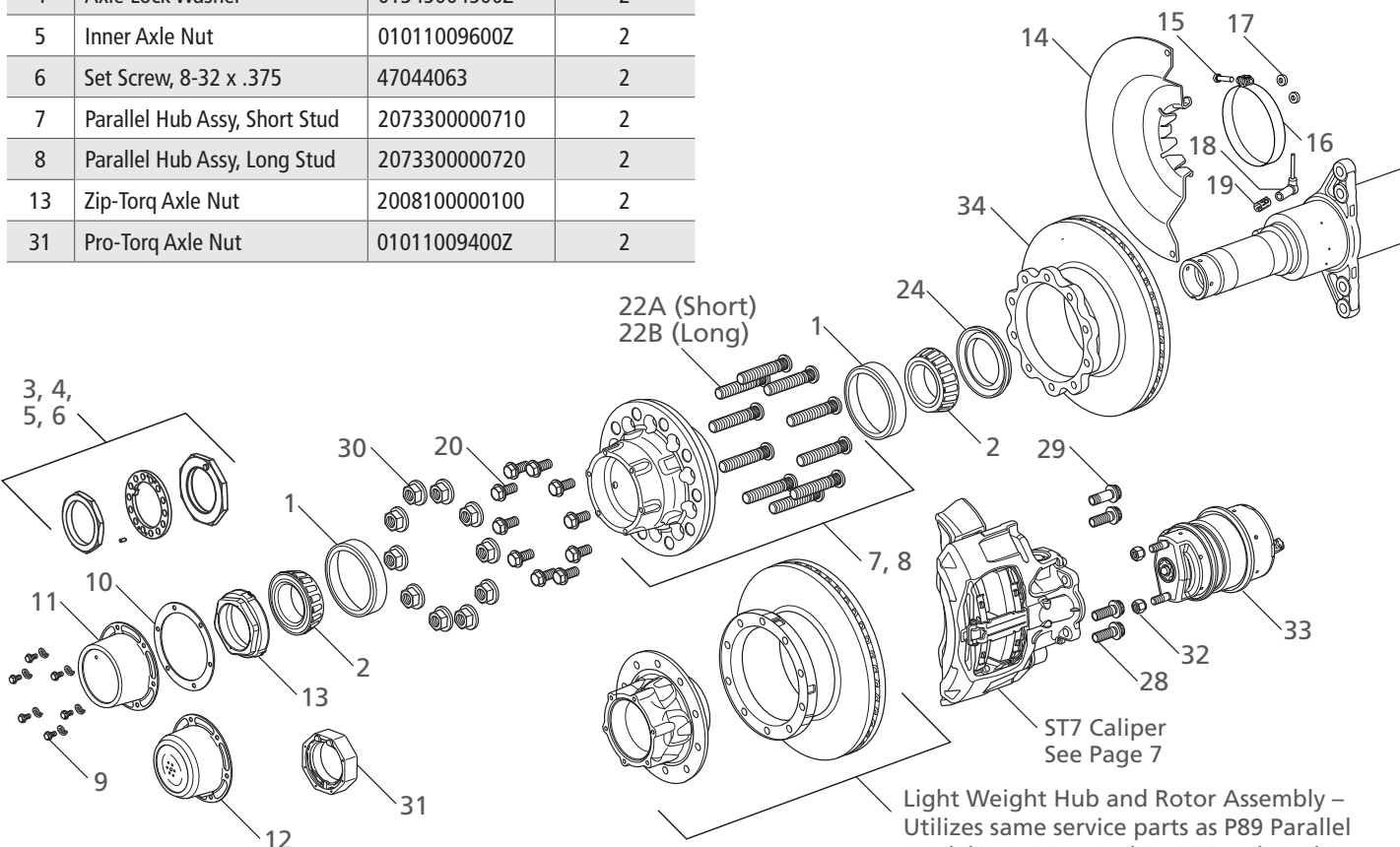
PROVIDING OEM QUALITY REPAIR KITS AND PARTS FOR ALL SAF AIR DISC BRAKE MODELS

P89 Air Disc Brake – Parallel Spindle

KIT DESCRIPTION	SRK NUMBER	INCLUDES
Dust Shield Kit	1022300000040	14, 15, 16, 17
Hub Cap Repair Kit – STD Grease	2074200000200	9, 10, 11
Hub Cap Repair Kit – PSI	2074200000210	9, 10, 12
Long Wheel Bolt Kit	51830047	22B, 30
Short Wheel Bolt Kit	51830048	22A, 30
Rotor Replacement Kit	51830049	34
Rotor Attachment Kit	51830051	20, 24
ABS Sensor Kit	1022300000020	18, 19
Mounting Bolts, Brake Caliper	03434366000	28, 29
Brake Chamber Kit	See Reference Guide Pg 6	32, 33



ITEM	DESCRIPTION	PART NUMBER	QTY. / AXLE
1	Bearing Cup	01231000900Z	4
2	Bearing Cone	04200102300Z	4
3	Outer Axle Nut	01011009700Z	2
4	Axle Lock Washer	01345004500Z	2
5	Inner Axle Nut	01011009600Z	2
6	Set Screw, 8-32 x .375	47044063	2
7	Parallel Hub Assy, Short Stud	2073300000710	2
8	Parallel Hub Assy, Long Stud	2073300000720	2
13	Zip-Torq Axle Nut	2008100000100	2
31	Pro-Torq Axle Nut	01011009400Z	2

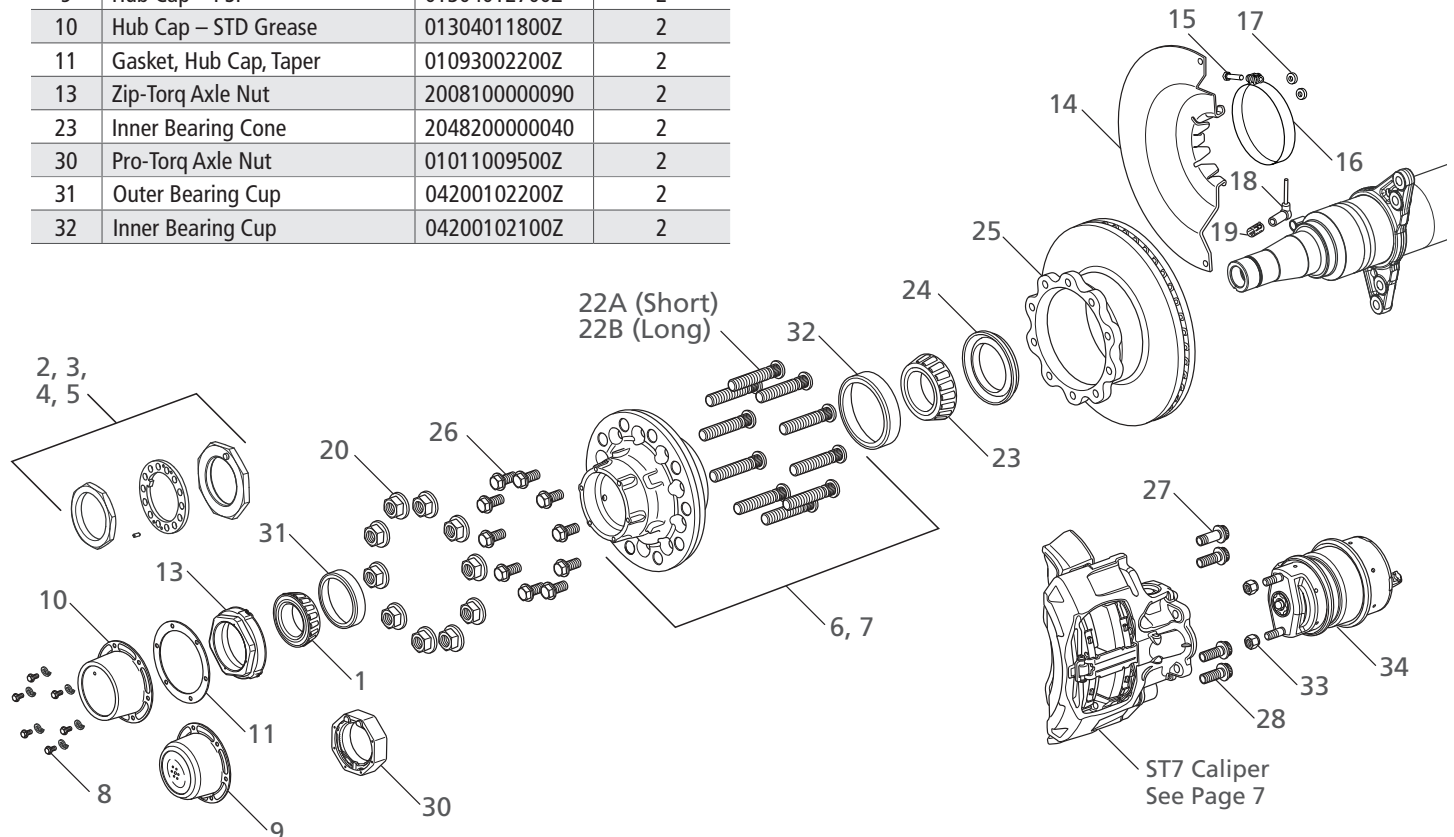


Light Weight Hub and Rotor Assembly – Utilizes same service parts as P89 Parallel Model. Does not replace P89 Hub and Rotor Assembly.

P89 Air Disc Brake – Taper Spindle

KIT DESCRIPTION	SRK NUMBER	INCLUDES
Dust Shield Kit	1022300000040	14, 15, 16, 17
Long Wheel Bolt Kit	51830047	22B, 20
Short Wheel Bolt Kit	51830048	22A, 20
Rotor Replacement Kit	51830049	25
Rotor Attachment Kit	51830050	24, 26
ABS Sensor Kit	1022300000020	18, 19
Mounting Bolts, Brake Caliper	03434366000	27, 28
Brake Chamber Kit	See Reference Guide Pg 6	33, 34

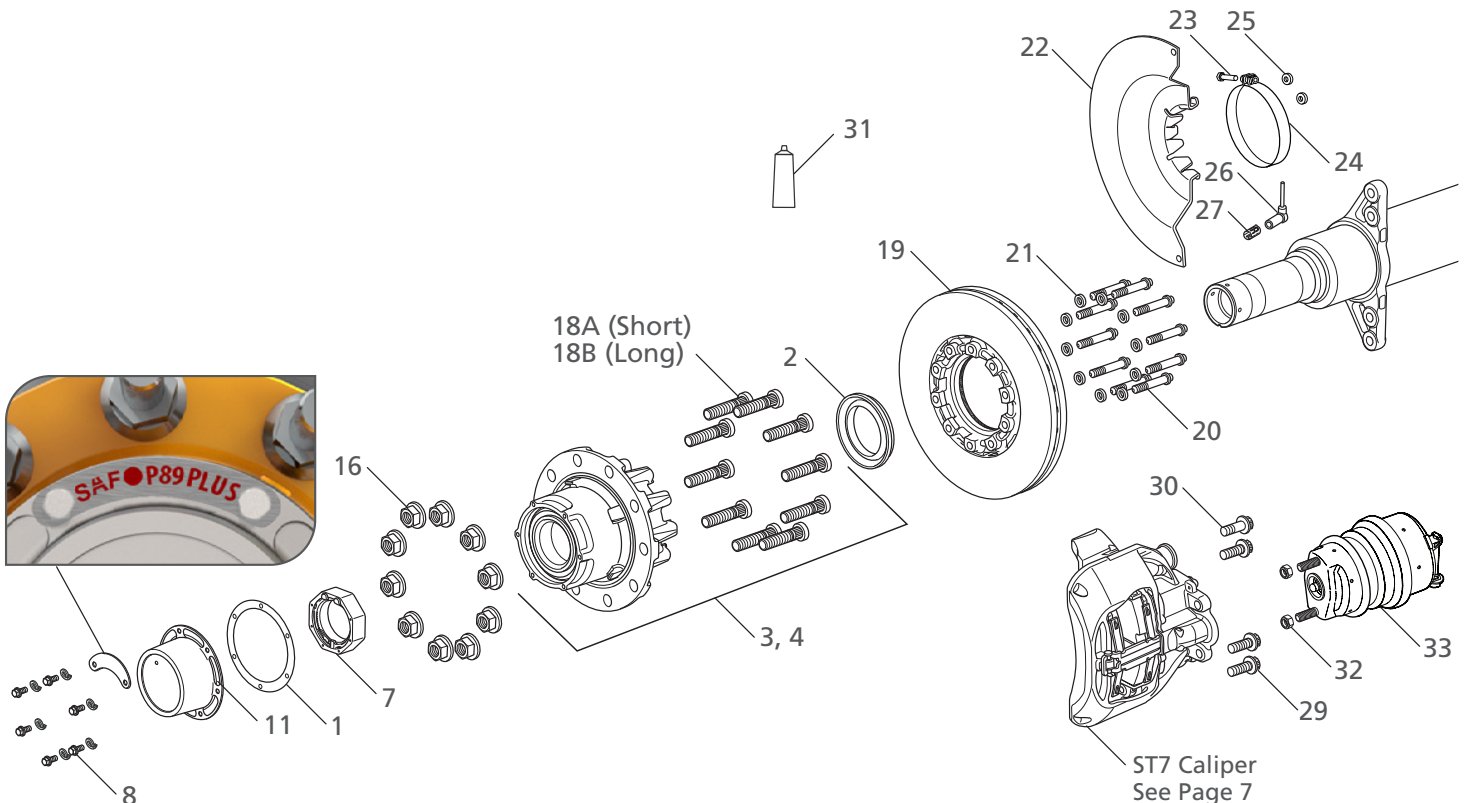
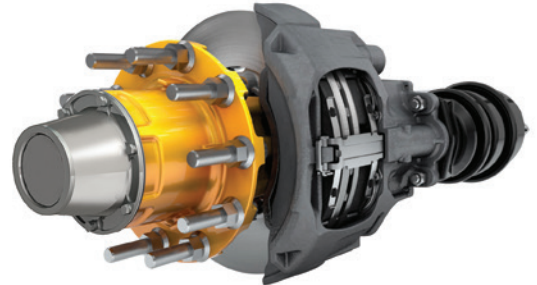
ITEM	DESCRIPTION	PART NUMBER	QTY. / AXLE
1	Outer Bearing Cone	2048200000050	2
2	Inner Axle Nut	01011009200Z	2
3	Axle Lock Washer	01345004300Z	2
4	Outer Axle Nut	01011009300Z	2
5	Set Screw, 8-32 x .375	47044063	2
6	Taper Hub Assembly, Short Stud	2073300000730	2
7	Taper Hub Assembly, Long Stud	2073300000740	2
8	Bolt, Hub Cap .31 - 18 X .75 GR5	04343207800Z	12
9	Hub Cap – PSI	01304012700Z	2
10	Hub Cap – STD Grease	01304011800Z	2
11	Gasket, Hub Cap, Taper	01093002200Z	2
13	Zip-Torq Axle Nut	2008100000090	2
23	Inner Bearing Cone	2048200000040	2
30	Pro-Torq Axle Nut	01011009500Z	2
31	Outer Bearing Cup	04200102200Z	2
32	Inner Bearing Cup	04200102100Z	2



P89 Plus Air Disc Brake

KIT DESCRIPTION	SRK NUMBER	INCLUDES
Disc Brake Repair Kit	51830055	2, 20, 21, 31
Rotor Replacement Kit	51830036	19, 20, 21
Dust Shield Kit	1022300000040	22, 23, 24, 25
Hub Cap Repair Kit – STD Grease	2074200000200	1, 8, 11
Hub Cap Repair Kit – PSI	2074200000210	1, 8, 11
Mounting Bolts, Brake Caliper	03434366000	29, 30
ABS Sensor Kit	1022300000020	26, 27
Long Wheel Bolt Kit	20742000000190	16, 18B
Short Wheel Bolt Kit	20742000000180	16, 18A
Brake Chamber Kit	See Reference Guide Pg 6	32, 33

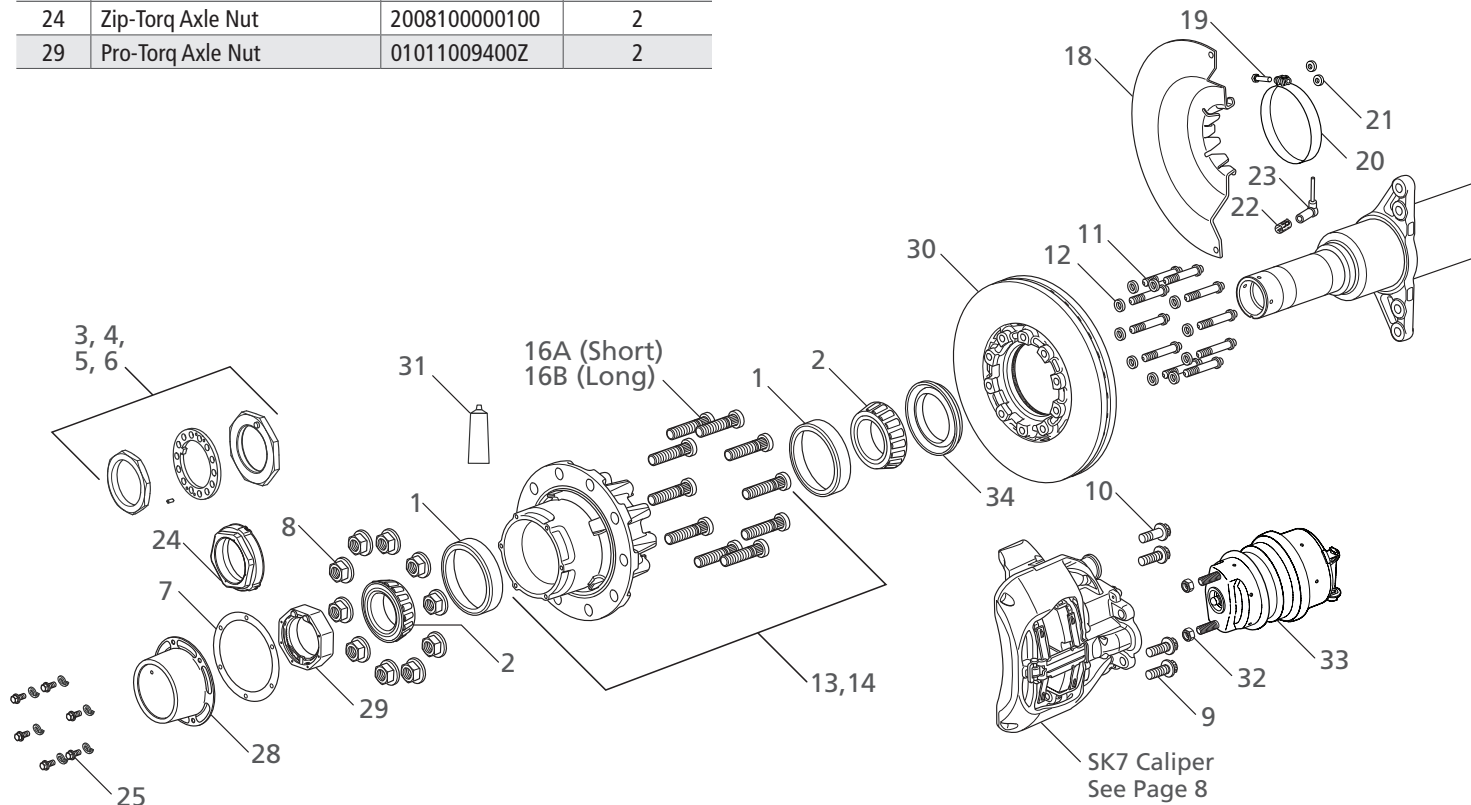
ITEM	DESCRIPTION	PART NUMBER	QTY. / AXLE
3	Hub Assembly, Short Stud	2073190000120	2
4	Hub Assembly, Long Stud	2073190000130	2
7	Pro-Torq Axle Nut	01011009400Z	2



P89 INTEGRAL® Air Disc Brake

KIT DESCRIPTION	SRK NUMBER	INCLUDES
Disc Brake Repair Kit, Short	51830038	11, 12, 31, 34
Rotor Replacement Kit	51830036	7, 11, 12, 30, 31
Dust Shield Kit	1022300000040	18, 19, 20, 21
Hub Cap Repair Kit - PSI	2074200000210	7, 25, 28
Mounting Bolts, Brake Caliper	03434366000	9, 10
ABS Sensor Kit	1022300000020	22, 23
Long Wheel Bolt Kit (112mm)	2074200000190	8, 16B
Short Wheel Bolt Kit (90mm)	2074200000180	8, 16A
Brake Chamber Kit	See Reference Guide Pg 6	32, 33

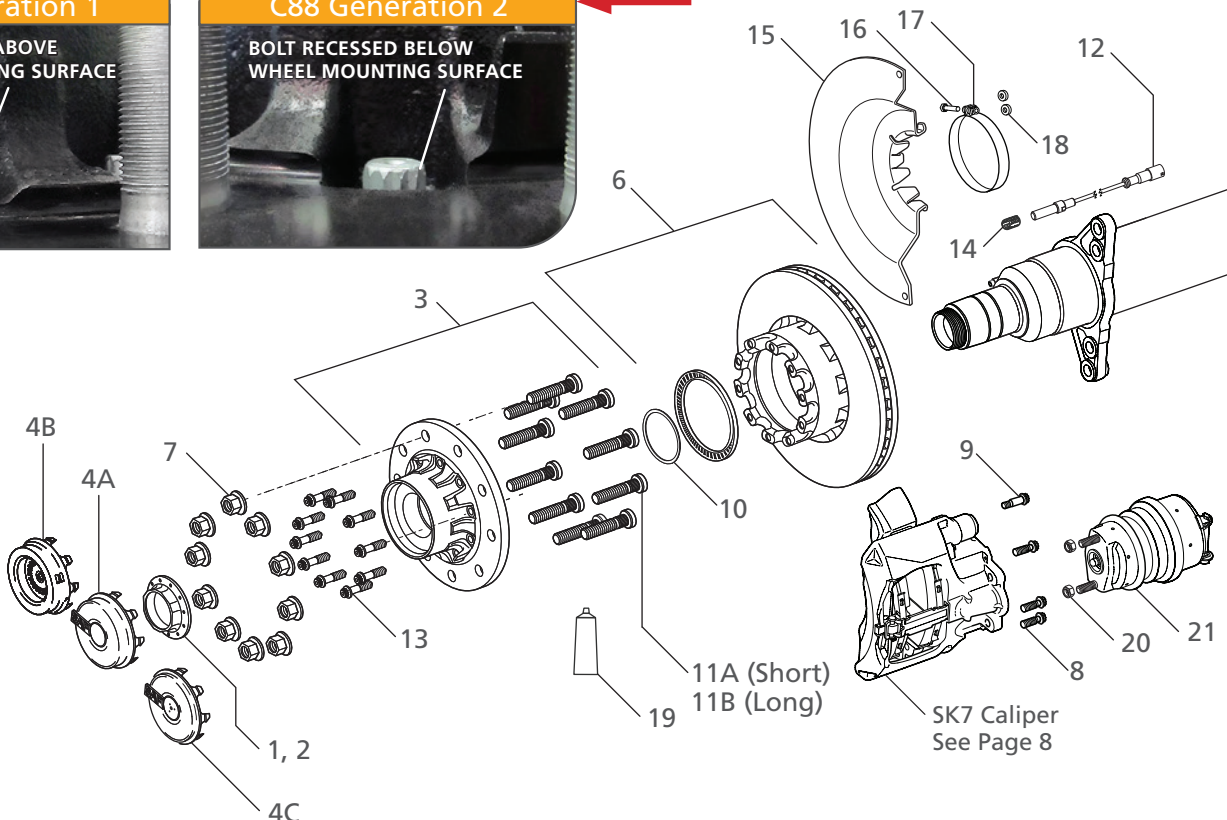
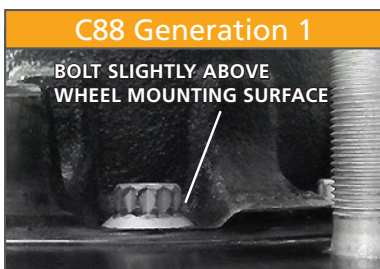
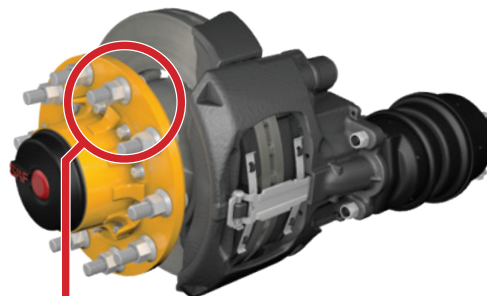
ITEM	DESCRIPTION	PART NUMBER	QTY./AXLE
1	Bearing Cup	01231000900Z	4
2	Bearing Cone	04200102300Z	4
3	Outer Axle Nut	01011009700Z	2
4	Axle Lock Washer	01345004500Z	2
5	Inner Axle Nut	01011009600Z	2
6	Set Screw, 8-32 x .375	47044063	2
13	Hub Assembly, Short Stud	2073190000090	2
14	Hub Assembly, Long Stud	2073190000100	2
24	Zip-Torq Axle Nut	2008100000100	2
29	Pro-Torq Axle Nut	01011009400Z	2



C88 Air Disc Brake

KIT DESCRIPTION	SRK NUMBER	INCLUDES
Rotor Replacement Kit	51830037	6, 10, 13, 19
Disc Brake Repair Kit	03434366300Z	10, 13, 19
WABCO ABS Kit	03029024200	12, 14, 19
Dust Shield	1022300000040	15, 16, 17, 18
Mounting Bolts, Brake Caliper	03434366000	8, 9
Long Wheel Bolt Kit (112mm)	2074200000190	7, 11B
Short Wheel Bolt Kit (90mm)	2074200000180	7, 11A
Brake Chamber Kit	See Reference Guide Pg 6	20, 21

ITEM	DESCRIPTION	PART NUMBER	QTY/AXLE
1	Axle Nut - Left Hand	01011008500	1
2	Axle Nut - Right Hand	01011008600	1
3	Long Stud Hub Assembly Gen I	2073190000150	2
	Long Stud Hub Assembly Gen II	2073190000170	
	Short Stud Hub Assembly Gen I	2073190000140	
	Short Stud Hub Assembly Gen II	2073190000160	
4A	Hub Cap	03304010202	2
4B	Hub Cap, Hub-Odometer	03304010302	1
4C	Hub Cap, MTIS Prep	03304010901	2



SAF ADB Quick Reference Service Kits

KIT DESCRIPTION	SERVICE REPAIR KIT NUMBER	P89 PARALLEL	P89 TAPER	P89 PLUS	P89 INTEGRAL	C88
Rotor Replacement Kit	51830037					●
Disc Brake Repair Kit	03434366300Z					●
Disc Brake Repair Kit	51830038				●	
Disc Brake Repair Kit	51830055			●		
WABCO ABS Kit	03029024200					●
Dust Shield Kit	1022300000040	●	●	●	●	●
Hub Cap Repair Kit - STD Grease	2074200000200	●		●		
Hub Cap Repair Kit - PSI	2074200000210	●		●	●	
Short Wheel Bolts Kit	51830048	●	●			
Long Wheel Bolts Kit	51830047	●	●			
Rotor Replacement Kit - P89 Plus/INTEGRAL®	51830036			●	●	
Rotor Replacement Kit - P89	51830049	●	●			
Rotor Attachment Kit - Taper	51830050		●			
Rotor Attachment Kit - Parallel	51830051	●				
Mounting Bolts, Brake Caliper	03434366000	●	●	●	●	●
ABS Sensor Kit	1022300000020	●	●	●	●	
Long Wheel Bolt Kit	2074200000190			●	●	●
Short Wheel Bolt Kit	2074200000180			●	●	●
Brake Chamber Kit, 16/24, w/o Hoses	2017200000200	●	●	●	●	●
Brake Chamber Kit, 18/24, w/o Hoses	2017200000210	●	●	●	●	●
Brake Chamber Kit, 18/24, w/ Flex Hose	2017300000220	●	●	●	●	●
Brake Chamber Kit, 16/24, w/ Flex Hose	2017300000230	●	●	●	●	●
Brake Chamber Kit, 16/24 - Premium Model	2109300000140	●	●	●	●	●
Brake Chamber Kit, 18/24 - Premium Model	2109300000150	●	●	●	●	●

SAF ADB Service Repair Tools



Brake Adjustment Wrench with Adapter 8/10 mm for C88 & P89 Models
PART NUMBER: 03434332700



24 mm Caliper Bolt Socket with 3/4" Drive for C88 & P89 Models
PART NUMBER: 04434385900



Hub Mounting Tool 88mm for C88 Models
PART NUMBER: 04434106800



Hub Cap Removal Lever for C88 Models
PART NUMBER: 01434104100



15 mm Socket with 1/2" Drive for Hub/Rotor Bolts on C88 & P89 Plus Models
PART NUMBER: 04434386200



85 mm Spindle Nut Socket for C88 Models
PART NUMBER: 04434382800



Universal Caliper Disc Brake Tool Box for C88 & P89 Models
PART NUMBER: 03434332802



ST7 Caliper Service Repair Kits

ST7 Pad Kit **SRK 03057000600**

Includes: 11, 12, 26, 44, 45

Diaphragm Rebuild Kit **SRK 03434382300**

Includes: 13, 22, 70

Pin Rebuild Kit **SRK 03434381500**

Includes: 4, 6, 9, 39, 58, 68

Shear Adapter Kit **SRK 03434381600**

Includes: 37, 61

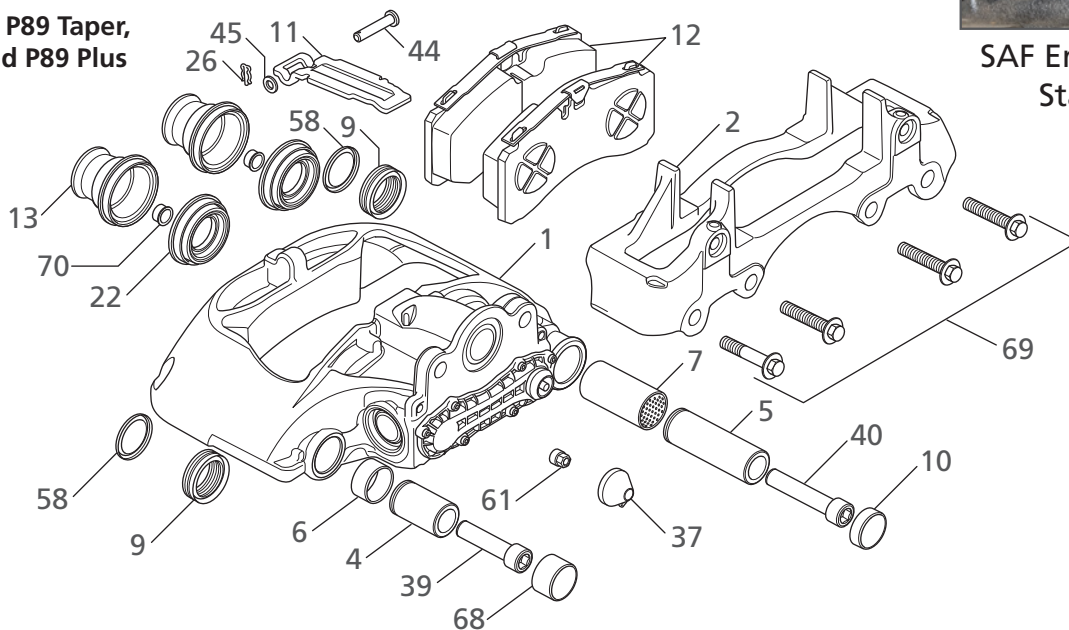


Blue Serial Tag



SAF Embossed Stamp

ST7 Applies to P89 Taper, P89 Parallel and P89 Plus Wheel Ends



ITEM	DESCRIPTION
1	ST7 Caliper
2	Carrier
4	Guide Bushing (Short Guide Pin)
5	Guide Bushing (Long Guide Pin)
6	Slide Bearing
7	Brass Bushing
9	Bellows
10	Cover (Long Guide Pin)
11	Pad Retainer
12	Brake Pads (Complete)
13	Pressure Fitting with Bellows
22	Inner Seal

ITEM	DESCRIPTION
26	Spring, Cotter Pin
37	Cap
39	Caliper Bolt (Short)
40	Caliper Bolt (Long)
44	Bolt
45	Washer
58	Ring
61	Shear Adapter
68	Cover (Short Guide Pin)
69	Mounting Bolts
70	Tappet Bushing

SK7 Caliper Service Repair Kits

SK7 Pad Kit SRK 03057008500

Includes: 11, 12, 26, 44, 45

Diaphragm Rebuild Kit SRK 03434381400

Includes: 13, 22, 61

Pin Rebuild Kit SRK 03434381500

Includes: 4, 5, 6, 7, 9, 37, 39, 40, 58, 68

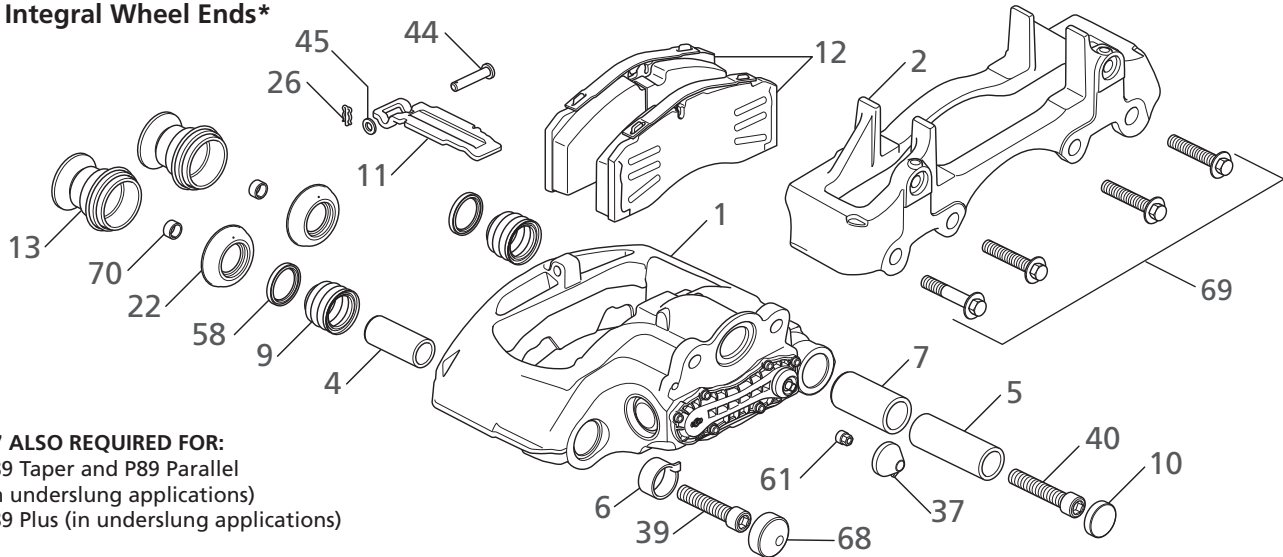
Shear Adapter Kit SRK 03434381600

Includes: 37, 61



**Green Teal
Serial Tag**
(SK7 DOES NOT
Include SAF
Embossed Stamp)

SK7 Applies to C88 and P89 Integral Wheel Ends*



***SK7 ALSO REQUIRED FOR:**

- P89 Taper and P89 Parallel (in underslung applications)
- P89 Plus (in underslung applications)

ITEM	DESCRIPTION
1	SK7 Caliper
2	Carrier
4	Guide Pin (Short)
5	Guide Pin (Long)
6	Rubber Bushing or Guide Sleeve
7	Brass Bushing
9	Inner Boot
10	Cover (Long Guide Pin)
11	Pad Retainer
12	Brake Pads (Complete)
13	Tappet and Boot Assembly
22	Inner Seal

ITEM	DESCRIPTION
26	Spring Clip
37	Cap
39	Caliper Bolt (Short)
40	Caliper Bolt (Long)
44	Pad Retainer Pin
45	Washer
58	Ring
61	Shear Adapter
68	Cover (Short Guide Pin)
69	Mounting Bolts
70	Tappet Bushing



OPTIONAL P89 SERIES AIR DISC BRAKES

**INDUSTRY LEADING
AIR DISC BRAKE
WARRANTY**

See XL-AS11002WC warranty statement for complete details.

Proven Design Quality
with Genuine Value

All the benefits you expect from the world's leading trailer axle disc brake supplier, at a price point that makes sense for commercial fleets of all sizes.

Featuring:

- Heavy-duty venter rotor
- SAF caliper
- Premium matched set bearings
- Parallel or taper spindle
- 5-Year warranty (See Warranty for Complete Details)

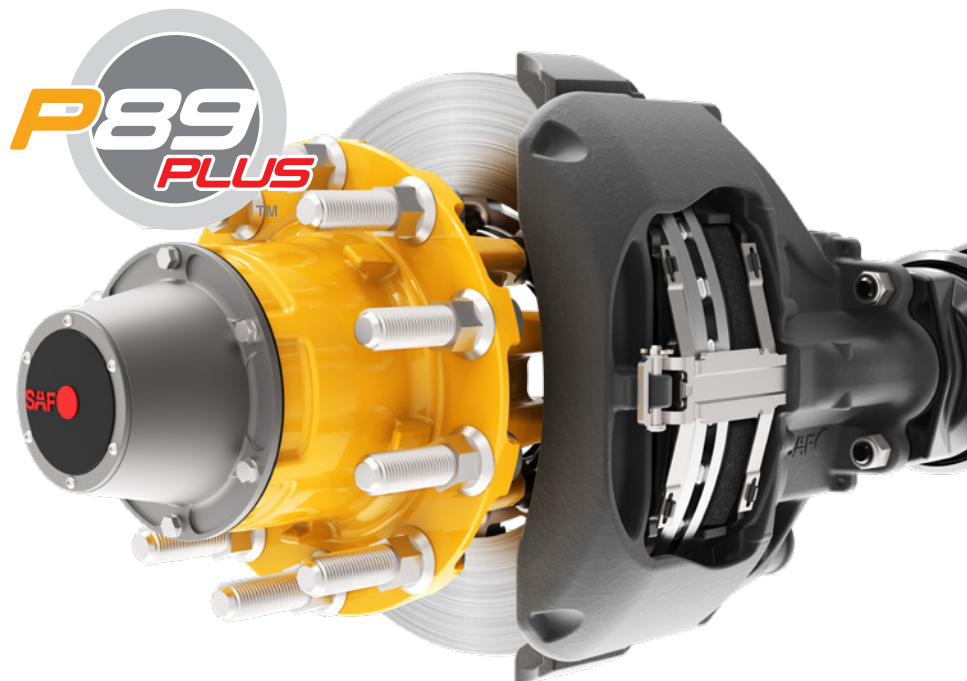


Premium Performance
Maintenance Free Design

Featuring the legendary INTEGRAL® rotor/hub and premium sealed bearings for reduced maintenance.

Featuring:

- INTEGRAL® rotor
- Long-life sealed bearings
- Premium brake chambers
- SAF caliper
- Robust parallel spindle
- Premium spindle nuts
- 7-Year warranty (See Warranty for Complete Details)



Repair/ Replacement	Description	Disc Brake Model	Qty/ Axle
Brake Pad			
03057000600	Brake Pad Set	Both	1
Rotor			
51830049	Rotor Replacement Kit w/ Hardware	P89	2
51830036	Rotor Replacement Kit w/ Hardware	P89 Plus	2
Brake Chamber			
04454115860	Brake Chamber 16/24 w/o Tubes	Varies*	2
04454115760	Brake Chamber 18/24 w/o Tubes	Varies*	2
04454109864	Brake Chamber 16/24 w/ Tubes	Varies*	2
04454109964	Brake Chamber 18/24 w/ Tubes	Varies*	2
2017300000220	Brake Chamber 18/24 w/ Flexible Tubes	Varies*	2
48100545	Flexible Tube Kit*	Varies*	2
Caliper			
51830052	Caliper Kit – LH (Includes Pads and Hardware)	Both	2
51830053	Caliper Kit – RH (Includes Pads and Hardware)	Both	2
03434366000	Caliper Bolt Kit	Both	2
03434381600	Adj. Cap / Shear Adapter	Both	2
Hub			
2073300000710	Hub Assembly – Parallel Spindle / Short Stud	P89	2
2073300000720	Hub Assembly – Parallel Spindle / Long Stud	P89	2
2073300000730	Hub Assembly – Taper Spindle / Short Stud	P89	2
2073300000740	Hub Assembly – Taper Spindle / Long Stud	P89	2
51830050	Hub Repair Kit – Taper Spindle	P89	2
51830051	Hub Repair Kit – Parallel Spindle	P89	2
2048200000040	Bearing Cone Inner – Taper Spindle	P89	2
2048200000050	Bearing Cone Outer – Taper Spindle	P89	2
04200102300Z	Bearing Cone – Parallel Spindle	P89	4
01092002900Z	Seal – Hub / Taper Spindle	P89	2
01092003100Z	Seal – Hub / Parallel Spindle	P89	2
2073190000120	Hub Assembly – Short Stud	P89 Plus	2
2073190000130	Hub Assembly – Long Stud	P89 Plus	2
51830038	Hub Repair Kit	P89 Plus	2
2024100000120	Seal – Hub	P89 Plus	2
Option: P89 Plus FAG Bearing to Conventional Bearing Conversion			
2073190000090	Hub Assembly – Short Studs	P89 Plus	2
2073190000100	Hub Assembly – Long Studs	P89 Plus	2
ABS Sensor			
1022300000020	ABS Sensor Kit	Both	2
Dust Shield			
1022300000040	Dust Shield Kit	Both	2
Wheel Bolt			
51830048	Short Wheel Bolt Kit – Parallel Spindle**	P89	20
51830047	Long Wheel Bolt Kit – Parallel and Taper Spindle**	P89	20
51830048	Short Wheel Bolt Kit – Taper Spindle**	P89	20
2072100000081	Short Wheel Stud – Parallel Spindle	P89	20
2072100000090	Long Wheel Stud – Parallel and Taper Spindle	P89	20
2072100000101	Short Wheel Stud – Taper Spindle	P89	20
2074200000190	Long Wheel Bolt Kit**	P89 Plus	20
2074200000180	Short Wheel Bolt Kit**	P89 Plus	20
2072100000030	Long Wheel Stud	P89 Plus	20
2072100000020	Short Wheel Stud	P89 Plus	20
04247301201	Wheel Nut	Both	20
Notes			

* Dependent on model and revision, brake chamber may change. Please contact SAF-HOLLAND - 800.876.3929.

** Includes (1) wheel nut and (1) wheel stud.



TRAILER AXLES AND
SUSPENSION SYSTEMS



COUPLING AND
LIFTING SYSTEMS



SUSPENSIONS FOR
TRUCKS AND BUSES



SUSPENSIONS AND
AXLE SYSTEMS



V. ORLANDI
TOWING
SYSTEMS



TRAILER AXLES/SUSPENSIONS,
COUPLING AND LIFTING
SYSTEMS

safholland.com

SAF-HOLLAND, Inc.
800.876.3929

SAF-HOLLAND Canada Limited
519.537.3494
Western Canada 604.574.7491

SAF-HOLLAND Mexico
52.55.5456.8641