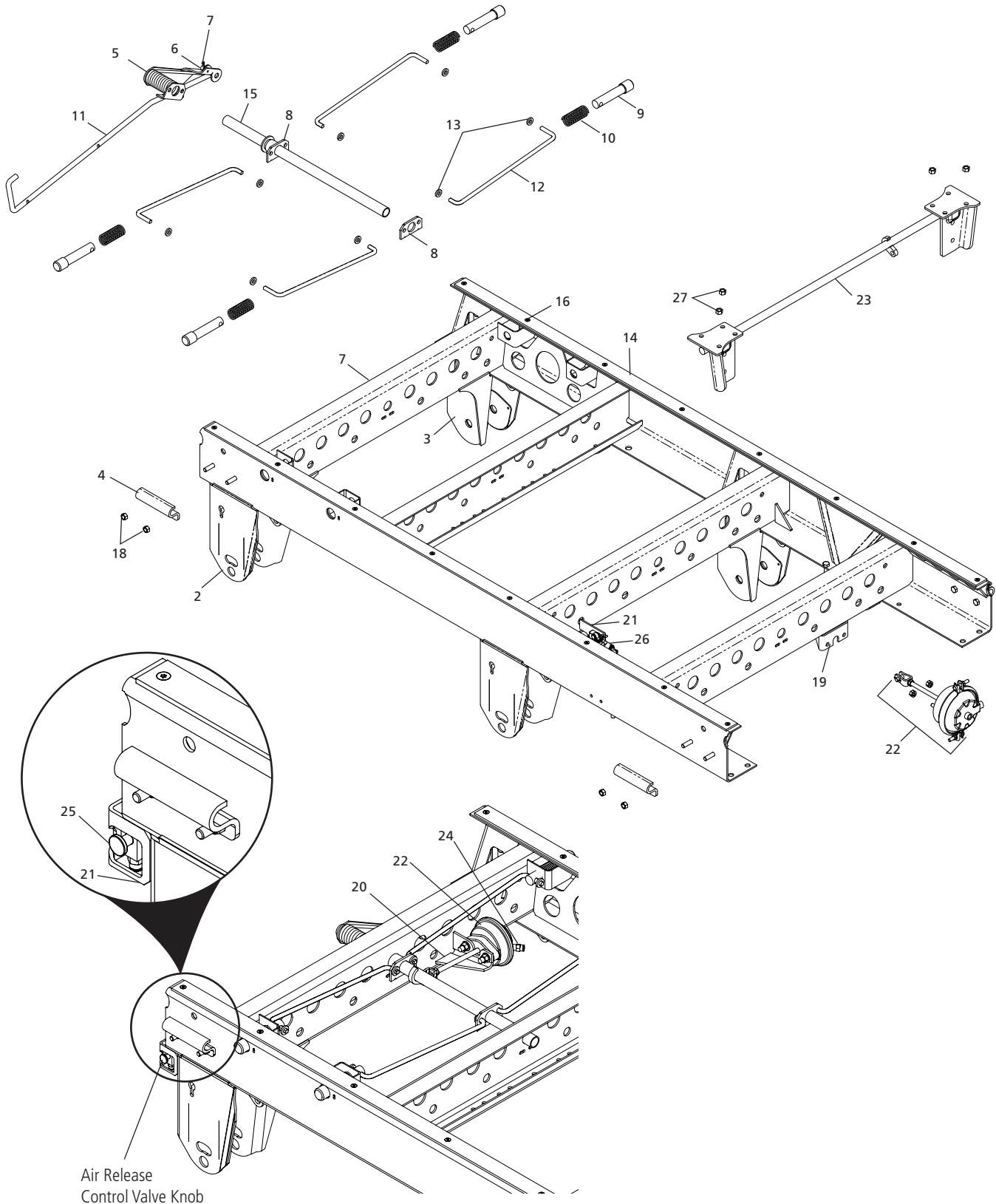


CBX40 AeroBeam Slider Box Exploded View

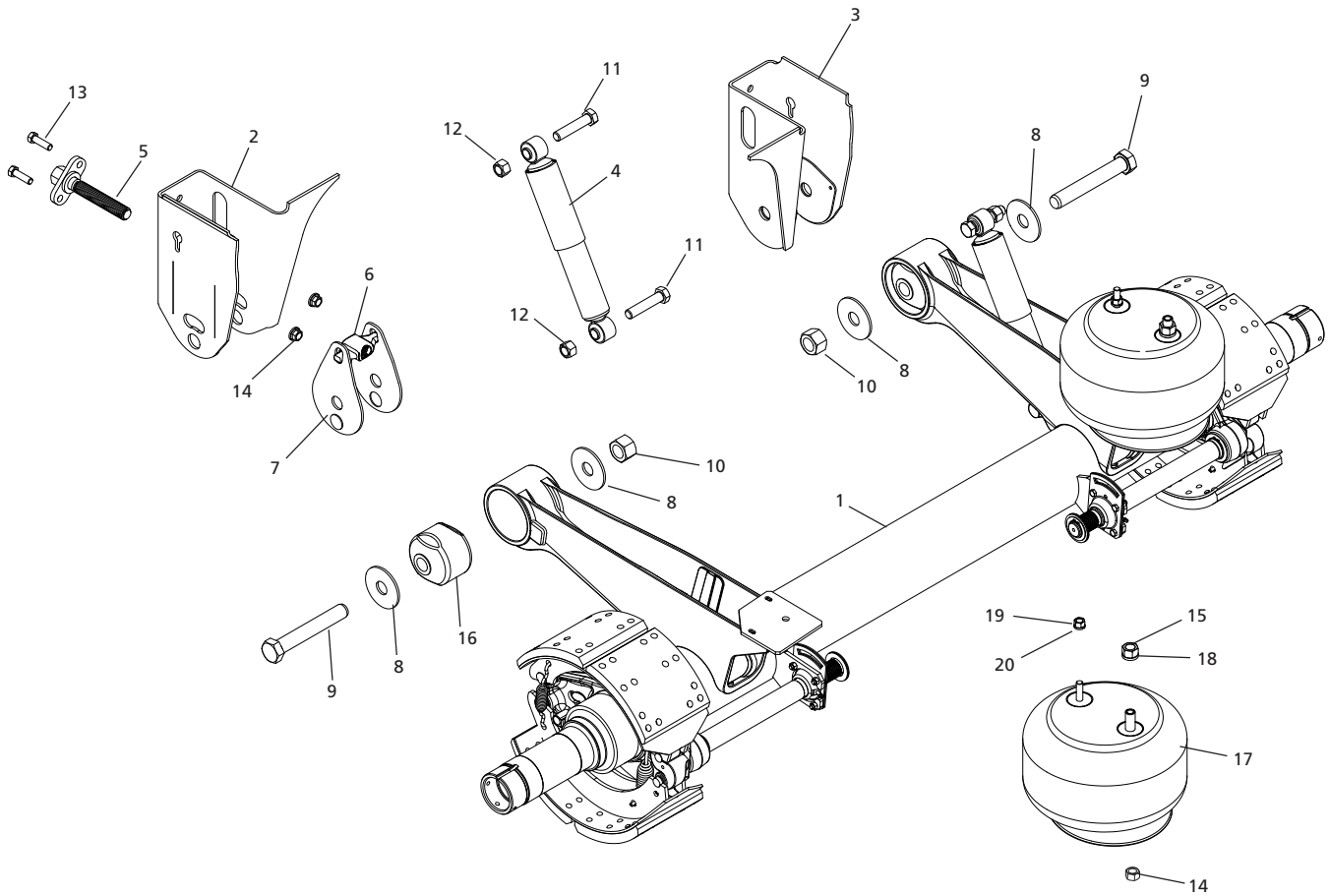


Air Release
Control Valve Knob

CBX40 AeroBeam SLIDER BOX LIST				
ITEM	DESCRIPTION	PART NUMBER	QTY.	WEIGHT LBS. [KG]
1	SLIDER SYSTEM	Contact SAF Holland	1	N/A
2	FRAME BRACKET, LH - SWING ALIGN	90027002	2	16.28 [7.38]
3	FRAME BRACKET, RH - FIXED	90618226	2	19.4 [8.80]
4	HOLD DOWN BRACKET	90015150	4	2.3 [1.04]
5	TORSION CAM	SLOA1277-01	1	7.23 [3.28]
6	WASHER, .41" I.D. x .81" O.D.	XB-PW-016-08	1	0.03 [0.01]
7	COTTER PIN .16" x 1.50"	XB-CTP-014-59	1	0.01 [0.00]
8	CAM PLATE	SLOA1274	2	0.37 [0.17]
9	PIN, LOCK (BINKLEY / TTMA)	SLOA1238	4	1.92 [0.87]
	PIN, LOCK (HUTCH)	SLOA1261	4	2.15 [0.98]
10	SPRING, COMPRESSION	XB-SPG-020-35	4	0.25 [0.11]
11	ARM, PULL - 42" 34.25"	SLOA1445-02	1	3.56 [1.61]
	ARM, PULL - 48" 37.25"	SLOA1445-01	1	3.79 [1.72]
	ARM, PULL - 54" 40.25"	SLOA1445-03	1	4.21 [1.91]
12	ARM, LINKAGE - 42"	SEE CHART #1	4	N/A
	ARM, LINKAGE - 48"	SEE CHART #1	4	N/A
	ARM, LINKAGE - 54"	SEE CHART #1	4	N/A
13	WASHER, FLAT .19" I.D. x .52 O.D.	XB-PW-016-85	16	0.02 [0.01]
14	BLOCK, SLIDE "Wear Pad"	XB-SLOA1054	2	1.58 [0.72]
15	SPACER, TUBE 1.25"	SL0523-07	1	0.24 [0.11]
16	SCREW .32"-18 x .75" FLAT HD	XB-STS-008-16	8	0.02 [0.01]
17	CAP SCREW, HEX HD .50"-13 x 1.75" LONG GR 5	XB-HHC-001-33	8	0.11 [0.05]
18	NUT, HEX .50"-13 GR B	XB-SLN-012-42	8	0.03 [0.01]
19	BRACKET, BRAKE CHAMBER	SLOA1230	1	0.76 [0.34]
20	BRACKET, SPRING BRAKE	90026227	1	1.4 [0.64]
21	BRACKET, HCV MOUNTING	90034541	1	0.6 [0.27]
22	SPRING BRAKE SERVICE CHAMBER FOR PIN RELEASE	90548040	1	4.32 [1.96]
	SPRING BRAKE SERVICE CHAMBER FOR POSILOK	90548040	1	4.32 [1.96]
23	POSILOK ASSY - 16" RIDE HEIGHT	90549628	1	28 [12.7]
	POSILOK ASSY - 16.5" RIDE HEIGHT	90549629	1	28.6 [12.97]
	POSILOK ASSY - 17" & 18" RIDE HEIGHTS	90549630	1	29.1 [13.20]
24	CONNECTOR, MALE PTC	93800329	1	0.01 [0.00]
25	AIR RELEASE VALVE	90560012	1	0.81 [0.37]
26	HEIGHT CONTROL VALVE (See page 8)	N/A	1	N/A
27	NUT, HEX .50"-13 GR B	XB-SLN-012-42	4	0.03 [0.01]

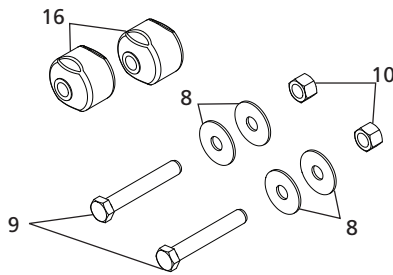
PIN CONFIGURATION (CHART #1)										
ITEM	PIN CONFIGURATION	SLIDE BOX WIDTH 42"			SLIDE BOX WIDTH 48"			SLIDE BOX WIDTH 54"		
		PART NUMBER	LENGTH	WEIGHT LBS. [KG]	PART NUMBER	LENGTH	WEIGHT LBS. [KG]	PART NUMBER	LENGTH	WEIGHT LBS. [KG]
12	BINKLEY INSIDE SHIM	SLOA1417-42	14.84"	0.75 [0.34]	SLOA1417-48	17.84"	0.85 [0.38]	SLOA1417-54	20.84"	0.97 [0.43]
12	BINKLEY OUTSIDE SHIM / HUTCH	SLOA1550-01	14.96"	0.53 [0.24]	SLOA1550	17.96"	0.65 [0.29]	SLOA1550-02	20.96"	0.72 [0.32]

CBX40 AeroBeam Beam & Axle Exploded View

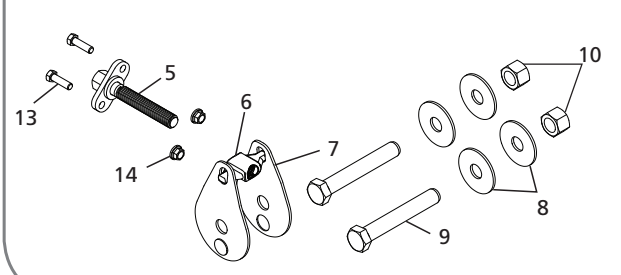


CBX40 AeroBeam BEAM & AXLE PARTS LIST				
ITEM	DESCRIPTION	PART NUMBER	QTY PER AXLE	WEIGHT LBS. [KG]
1	BEAM & AXLE ASSEMBLY - BRAKED	Contact SAF Holland	1	N/A
2	FRAME BRACKET, SWING ALIGN - LH	90027002	1	16.28 [7.38]
3	FRAME BRACKET, FIXED - RH	90618226	1	19.40 [8.79]
4	SHOCK - 16" RIDE HEIGHT	90045298	2	4.91 [2.22]
	SHOCK - 16.5" & 17" RIDE HEIGHT	90044162	2	4.85 [2.19]
	SHOCK - 18" RIDE HEIGHT	90045040	2	5.19 [2.35]
5	THREADED ROD ASSEMBLY	90550387	1	2.34 [1.06]
6	YOKE, SWING ALIGN	90045758	1	1.15 [0.52]
7	PLATE, ALIGNMENT	90027004	2	1.50 [0.68]
8	WASHER 1.14" I.D. x 3.50" O.D. GR8	93600553	4	0.46 [0.20]
9	BOLT HEX 1.12-7 X 7.38 GR 8	93201079	2	2.30 [1.04]
10	NUT, HEX LOCK 1.13"-7 GR-C	93400506	2	0.37 [0.16]
11	BOLT, HEX .75"-10 x 3.50 LONG GR5	93006035	4	0.56 [0.25]
12	NUT, HEX .75"-10 GR B	93400492	4	0.12 [0.05]
13	SCREW, HEX CAP .50"-13 1.75" LONG GR-5 ZC	XB-HHC-001-33	2	0.11 [0.04]
14	NUT, FLANGE .50"-13 GR B	93400623	2	0.05 [0.02]
15	NUT HEX 0.75"-16 GR B	93400149	2	0.12 [0.05]
16	PIVOT BUSHING	90008286	2	3.35 [1.51]
17	AIR SPRING ASSEMBLY - 16", 16.5" & 17" RIDE HEIGHT	90557372	2	11.25 [5.10]
	AIR SPRING ASSEMBLY - 18" RIDE HEIGHT	90557194	2	30.10 [13.60]
18	WASHER, LOCK .75"	93600077	2	0.04 [0.01]
19	NUT, HEX 0.50"-13 GR B	93400136	2	0.04 [0.01]
20	WASHER, LOCK 0.53"	93600072	2	0.01 [0.00]
21	AIR SPRING SPACER - .63" 16.5" RIDE HEIGHT	90036274	2	1.65 [0.74]
	AIR SPRING SPACER - 1.22" 17" RIDE HEIGHT	90036275	2	3.25 [1.47]
	AIR SPRING SPACER - .25" 18" RIDE HEIGHT	90035024	2	5.50 [2.49]

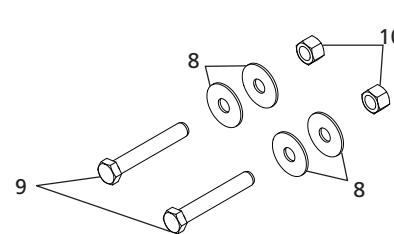
48100647
Pivot Bushing Repair Kit
14.20 lbs [6.44 kg]



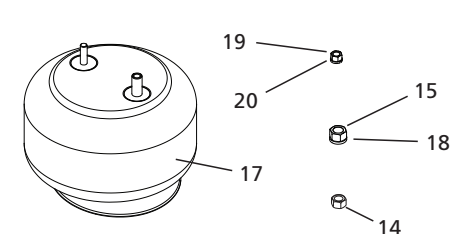
48100648
SwingAlign Replacement Kit
18.30 lbs [8.30 kg]



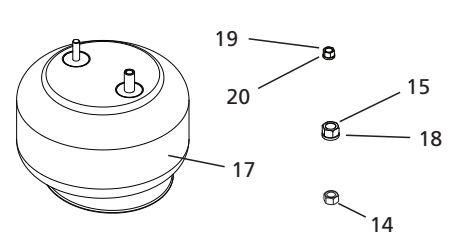
48100649
Pivot Connection Kit
7.8 lbs [3.54 kg]



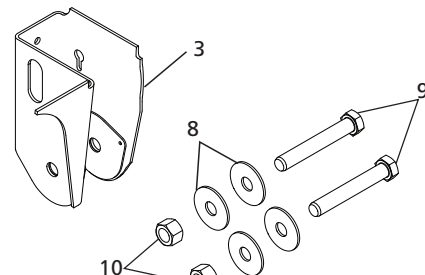
48100650
Air Spring Kit 16", 16.6" & 17" Ride Height
17.50 lbs [7.94 kg]



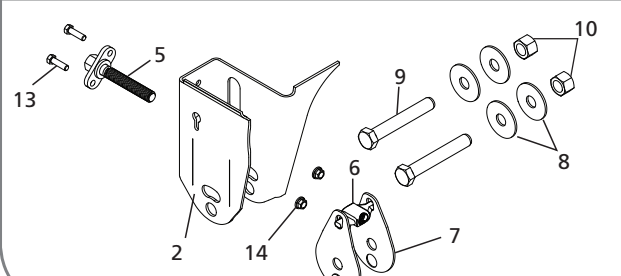
48100651
Air Spring Kit 18" Ride Height
21.30 lbs [9.66 kg]



48100652
Fixed Frame Bracket
33.90 lbs [15.38 kg]



48100653
SwingAlign Frame Bracket
40 lbs. [18.14 kg]



SERVICE REPAIR KIT BOM				
ITEM	DESCRIPTION	PART NUMBER	QTY PER AXLE	WEIGHT LBS. [KG]
2	FRAME BRACKET, SWING ALIGN - LH	90027002	1	16.28 [7.38]
3	FRAME BRACKET, FIXED - RH	90618226	1	19.40 [8.79]
5	THREADED ROD ASSEMBLY	90550387	1	2.34 [1.06]
6	YOKE, SWING ALIGN	90045758	1	1.15 [0.52]
7	PLATE, ALIGNMENT	90027004	2	1.50 [0.68]
8	WASHER 1.14" I.D. x 3.50" O.D. GR8	93600553	4	0.46 [0.20]
9	BOLT HEX 1.12-7 X 7.38 GR 8	93201079	2	2.30 [1.04]
10	NUT, HEX LOCK 1.13"-7 GR-C	93400506	2	0.37 [0.16]
13	SCREW, HEX CAP .50"-13 1.75" LONG GR-5 ZC	XB-HHC-001-33	2	0.11 [0.04]
14	NUT, FLANGE .50"-13 GR B	93400623	2	0.05 [0.02]
15	NUT HEX 0.75"-16 GR B	93400149	2	0.12 [0.05]
16	PIVOT BUSHING	90008286	2	3.35 [1.51]
17	AIR SPRING ASSEMBLY - 16", 16.5" & 17" RIDE HEIGHT	90557372	2	11.25 [5.10]
	AIR SPRING ASSEMBLY - 18" RIDE HEIGHT	90557194	2	30.10 [13.60]
18	WASHER, LOCK .75"	93600077	2	0.04 [0.01]
19	NUT, HEX 0.50"-13 GR B	93400136	2	0.04 [0.01]
20	WASHER, LOCK 0.53"	93600072	2	0.01 [0.00]

Height Control Valve (HCV)

HEIGHT CONTROL VALVE KIT			
ITEM	DESCRIPTION	PART NUMBER	WEIGHT LBS. [KG]
26	Max-Valve™ HCV - Non Dump	50860013	1.90 [0.86]
	Max-Valve™ HCV - Pressure Dump	50860014	2.10 [0.95]
	Max-Valve™ HCV - Zero Pressure Dump Normal Flow	50860015	2.00 [0.91]
	Max-Valve™ HCV - Zero Pressure Dump Low Flow	50860016	2.00 [0.91]

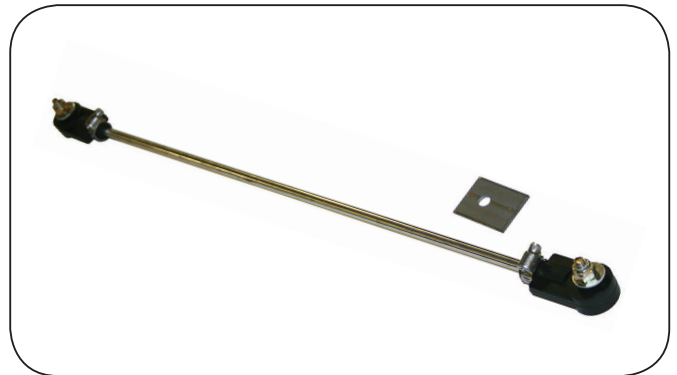
*All valves are set up for .38" fittings.

NOTE: Do not use the high flow valve when the trailer is equipped with PosiLok™ System.



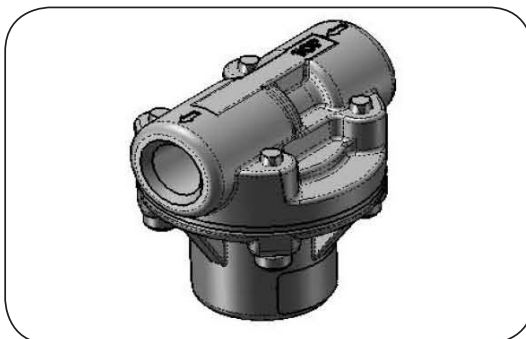
Adjustable Height Control Linkage Kit

PART NUMBER	DESCRIPTION	WEIGHT LBS. [KG]
50860006	Adjustable Height Control Linkage Kit	2.00 [0.91]



Pressure Protection Valve

DESCRIPTION	PART NUMBER	WEIGHT LBS. [KG]
Pressure Protection Valve	90560150	N/A
Optional Pressure Protection Valve	90554107	0.50 [0.23]



Optional Pressure Protection Valve

OPTIONAL PRESSURE PROTECTION VALVE

